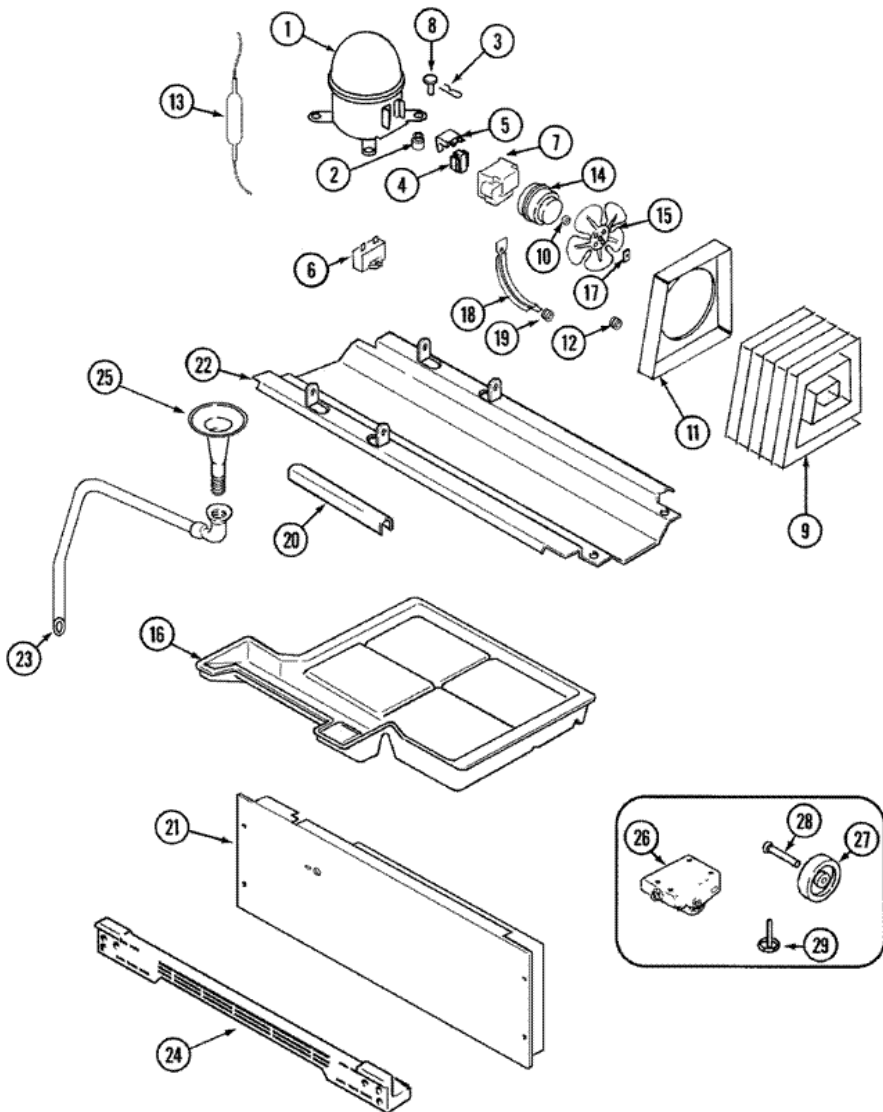


Distribuidor Autorizado

SurteRápido.com

Venta de Refacciones  
Electrodomesticas

## GS2314CXDA COMPRESSOR





## GS2314CXDA COMPRESSOR

1	4387779	COMPRESSOR ASSY.(R134A-115V) (S/P)
1	61002223	WIRE HARNESS, COMPRESSOR (S/P)
2	17245-4	GROMMET, COMPRESSOR (S/P)
3	61005561	CLIP, COMPRESSOR (S/P)
4	61005504	RELAY, START (S/P)
5	61006295	OVERLOAD (S/P)
6	61002137	CAPACITOR, RUN (S/P)
6	400017-1	SCREW (S/P)
7	61002138	COVER, TERMINAL (S/P)
8	61006030	PLUG, COMPRESSOR (S/P)
9	61005453	CONDENSER (S/P)
9	61001885	SCREW (S/P)
10	61001686	WASHER, FAN BLADE (S/P)
11	61001941	SHROUD, CONDENSER (S/P)
12	61002033	GROMMET, CONDENSER TUBING (S/P)
13	13900-1	DRIER (S/P)
14	61001562	MOTOR, CONDENSER FAN (S/P)
14	65275-33	SCREW (S/P)
15	12587601	BLADE, CONDENSER FAN (S/P)
16	61004095	PAN, DRAIN (S/P)
16	65275-5	SCREW (S/P)
17	486692	CLIP, FAN BLADE (S/P)
18	69181-1	BRACKET, FAN MOTOR (S/P)
19	56933-1	GROMMET, BRACKET (S/P)
20	61001974	ISOLATOR, CONDENSER (S/P)
21	65275-5	SCREW (S/P)
21	12001345	COVER, COMPRESSOR COMPARTMENT (S/P)
22	61003371	PAN, COMPRESSOR MTG. (S/P)
22	61002407	SCREW (S/P)
23	53516-9	CLAMP (S/P)
23	61003133	HOSE, DRAIN (S/P)
24	400016-1	SCREW (S/P)
24	61004067	KICKPLATE (ALM) (S/P)

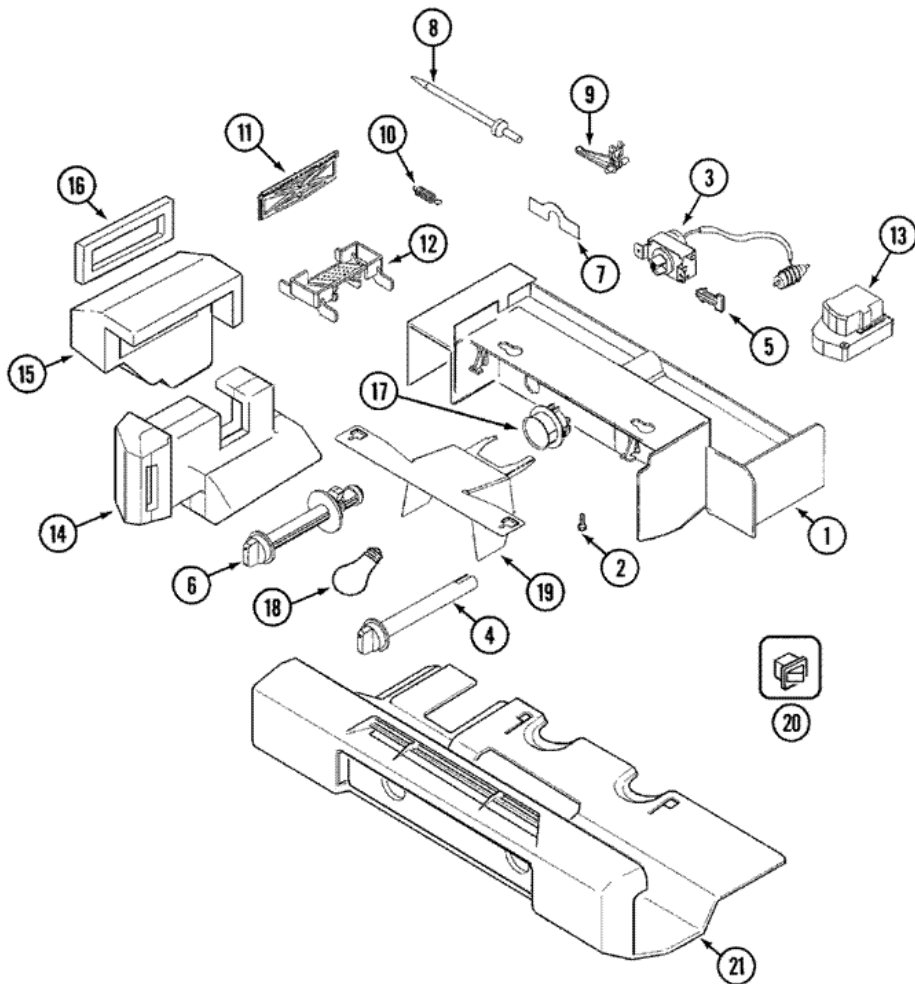
25	61004751	TUBE, DRAIN (S/P)
26	61002066	WHEEL ASSY. (FRT) (S/P)
26	400017-1	SCREW (S/P)
27	61003826	WHEEL (REAR) (S/P)
28	61002104	PIN, WHEEL (S/P)
29	69810-1	CAP, LEVELING LEG (S/P)
29	61002014	LEG, LEVELING (S/P)

Distribuidor Autorizado

**SurteRápido.com**

Venta de Refacciones  
Electrodomesticas

## GS2314CXDA CONTROLS





**GS2314CXDA CONTROLS**

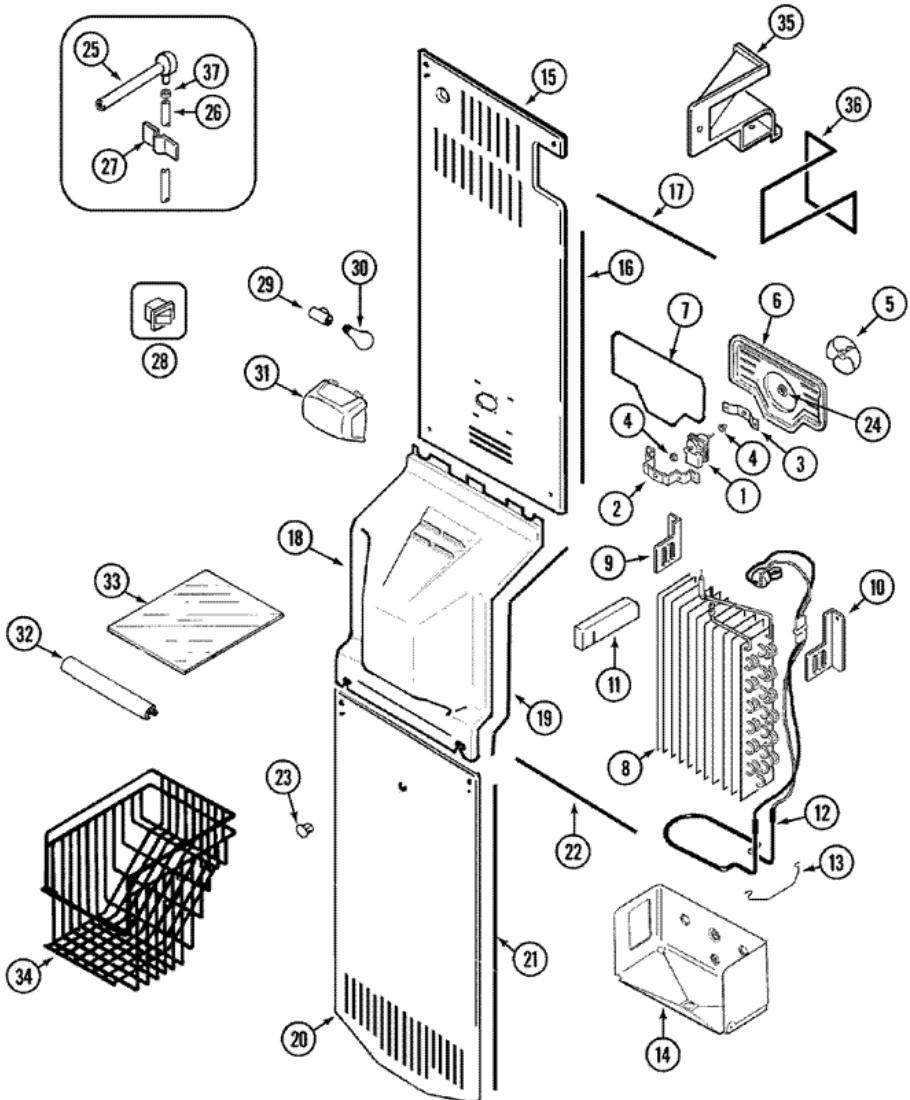
1	400031-1	SCREW (S/P)
1	61003152	FOIL, HEAT SHIELD (S/P)
1	61003135	HOUSING, CONTROL (S/P)
2	61004314	SCREW (No.8 AB) (S/P)
3	61003456	CONTROL ASSY., TEMPERATURE (S/P)
4	61003136	KNOB, TEMP. CONTROL (S/P)
5	61003137	CLIP, TEMP. KNOB (S/P)
6	61003138	KNOB, FRZ. CONTROL (S/P)
7	61003139	RETAINER, FRZ. KNOB (S/P)
8	61003155	ROD, DAMPER CAM (S/P)
9	61003140	FOLLOWER, CAM (S/P)
10	61003141	SPRING, DAMPER DOOR (S/P)
11	61003424	DOOR, DAMPER (S/P)
12	61004278	BRACKET, MASS HOLDER (S/P)
13	405007-1	SCREW (S/P)
13	68233-2	TIMER, DEFROST (S/P)
14	61003144	INSULATION, DISCHARGE (LT) (S/P)
14	61004279	INSULATION, DISCHARGE (RT) (S/P)
15	67002286	SEAL, TUNNEL TO HOUSING (S/P)
15	61003146	TUNNEL, CONTROL HOUSING (S/P)
16	61003819	SEAL, TUNNEL (S/P)
17	61005604	RECEPTACLE, BULB (S/P)
18	61001787	BULB, LIGHT
19	61003149	SHIELD, HEAT (S/P)
20	1118894	SWITCH, LIGHT (S/P)
21	61003217	SHIELD, LIGHT (S/P)
22	61004280	WIRE HARNESS, CONTROLS (S/P)
22	61003233	WIRE HARNESS, FRZ./F.F. (S/P)

Distribuidor Autorizado

SurteRápido.com

Venta de Refacciones  
Electrodomesticas

## GS2314CXDA FREEZER COMPARTMENT





## GS2314CXDA FREEZER COMPARTMENT

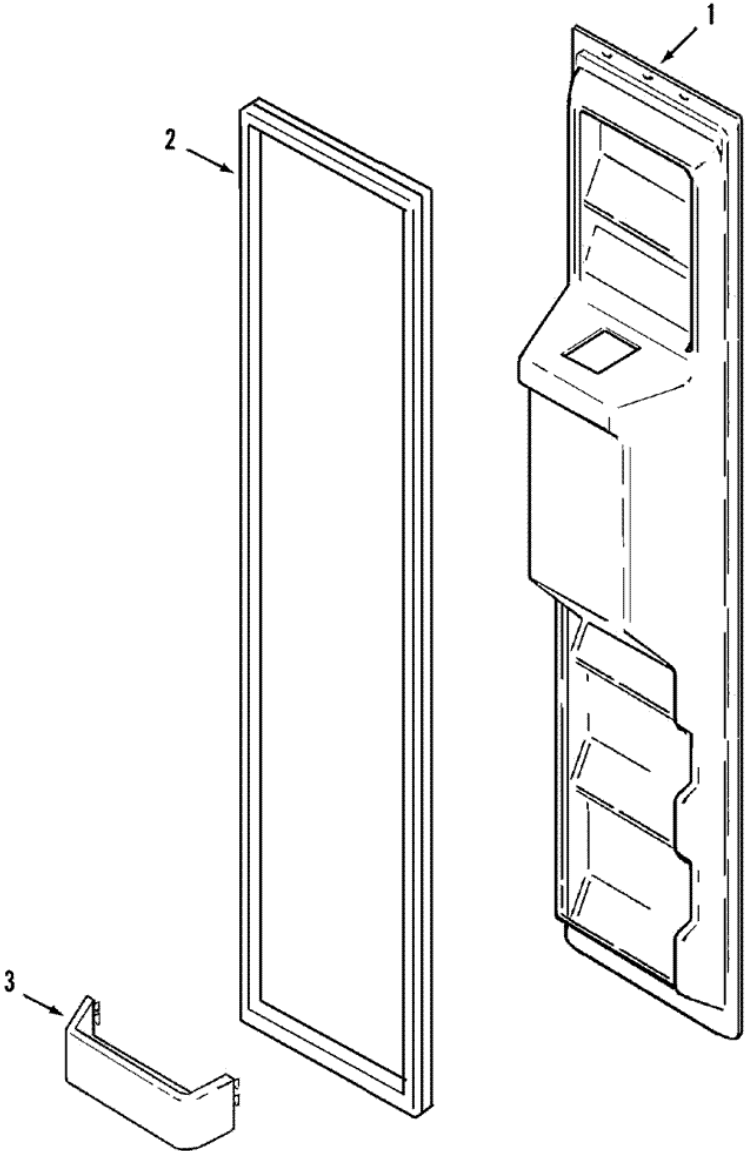
1	61004888	MOTOR, EVAPORATOR FAN (S/P)
2	61001885	SCREW (S/P)
2	61001930	BRACKET, EVAPORATOR FAN (S/P)
3	61001885	SCREW (S/P)
3	61002234	RETAINER, EVAPORATOR FAN (S/P)
4	61002235	BUSHING, EVAPORATOR FAN (S/P)
5	61001935	BLADE, EVAPORATOR FAN (S/P)
6	61003380	SHROUD, FAN (S/P)
7	61003381	SEAL, FAN SHROUD (S/P)
8	12001640	EVAP/HEAT EXCH ASSY23/24/25SXS (S/P)
9	61003215	BRACKET, EVAPORATOR (LT) (S/P)
10	61003216	BRACKET, EVAPORATOR (RT) (S/P)
11	61003213	BLOCK, AIR (S/P)
12	61006116	HEATER & THERM. ASSY., DEFROST
13	67005457	CLIP, DEFROST HEATER (S/P)
14	61003382	HOUSING, EVAPORATOR (S/P)
15	400027-28	SCREW <b>DESCONTINUADO</b>
15	61003383	COVER, COIL (UPR) (S/P)
16	61003832	SEAL, UPPER COVER (LT) (S/P)
17	61003386	SEAL, UPPER COVER (TOP) (S/P)
18	61003387	COVER, EVAPORATOR FAN (S/P)
19	61003832	SEAL (S/P)
20	400027-28	SCREW (S/P)
20	61003388	COVER, COIL (LWR) (S/P)
21	61003832	SEAL (S/P)
22	61003837	SEAL, LOWER COVER <b>DESCONTINUADO</b>
23	61001952	PLUG BUTTON, EVAP. COVER (S/P)
24	61003198	SLINGER, DISC (S/P)
25	61005743	GROMMET, FILL TUBE (S/P)
25	67877-1	CLIP, FILL TUBE (S/P)
26	67579-2	TUBING, VALVE TO GROMMET (S/P)
27	61003562	CLIP, WATER LINE (ADHESIVE) (S/P)
28	12002646	SWITCH, LIGHT (S/P)

29	68974-3	RECEPTACLE, BULB (S/P)
30	31956-1	BULB, LIGHT (S/P)
31	61002272	SHIELD, LIGHT (S/P)
32	61003390	TRIM, SHELF (FRT) (S/P)
33	61003391	SHELF, FRZ. (SHALLOW) (S/P)
33	61003392	SHELF, FRZ. (DEEP) (S/P)
34	61006084	BASKET, FRZ. <b>DESCONTINUADO</b>
35	400017-1	SCREW (S/P)
35	61003205	DIVERTER, AIR (S/P)
36	61003206	SEAL, AIR DIVERTER (S/P)
37	61001161	CLAMP, WATER LINE (S/P)
38	61003259	WIRE HARNESS, FRZ. (S/P)
38	61003204	WIRE HARNESS, FAN & HEATER (S/P)





**GS2314CXDA FREEZER INNER DOOR**

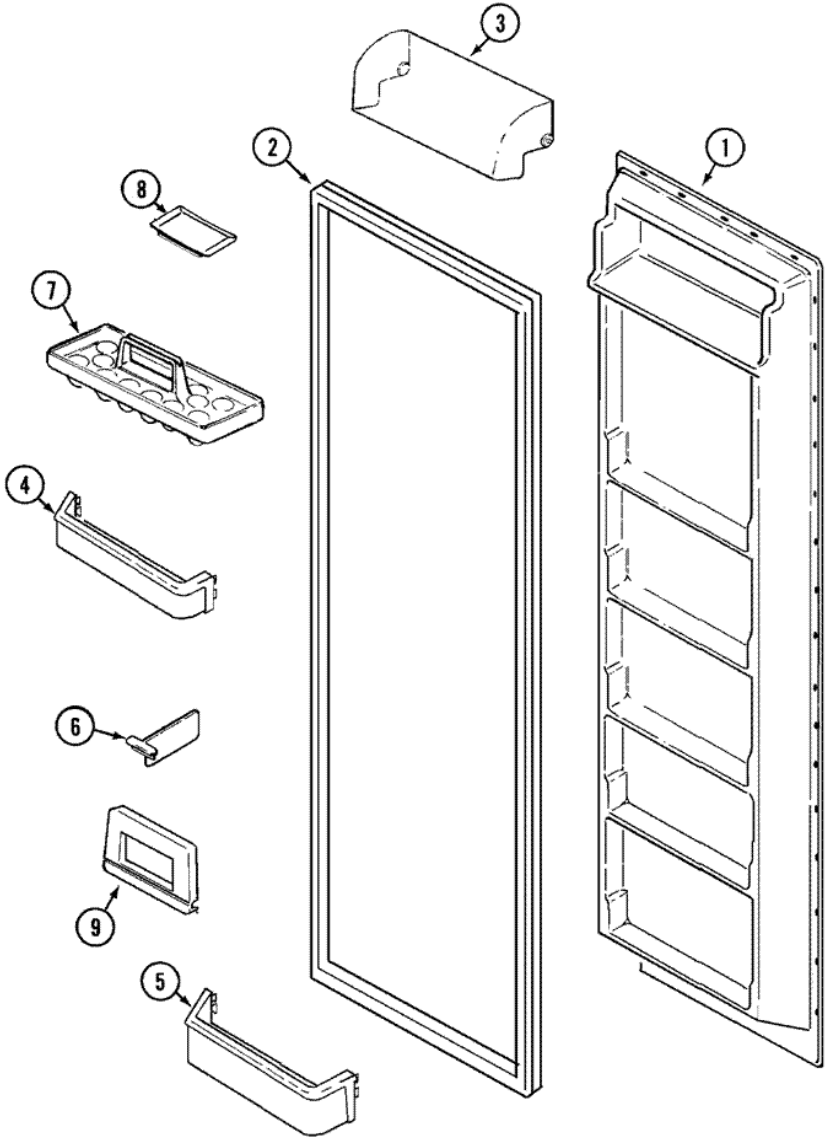




## GS2314CXDA FREEZER INNER DOOR

1	65275-5	SCREW <b>(S/P)</b>
1	61003403	LINER, FRZ. DOOR <b>DESCONTINUADO</b>
2	61003404	SEAL, FRZ. DOOR (WHT) <b>(S/P)</b>
3	61003454	FRONT, PICK-OFF <b>(S/P)</b>

**GS2314CXDA FRESH FOOD INNER  
DOOR**





**GS2314CXDA FRESH FOOD INNER DOOR**

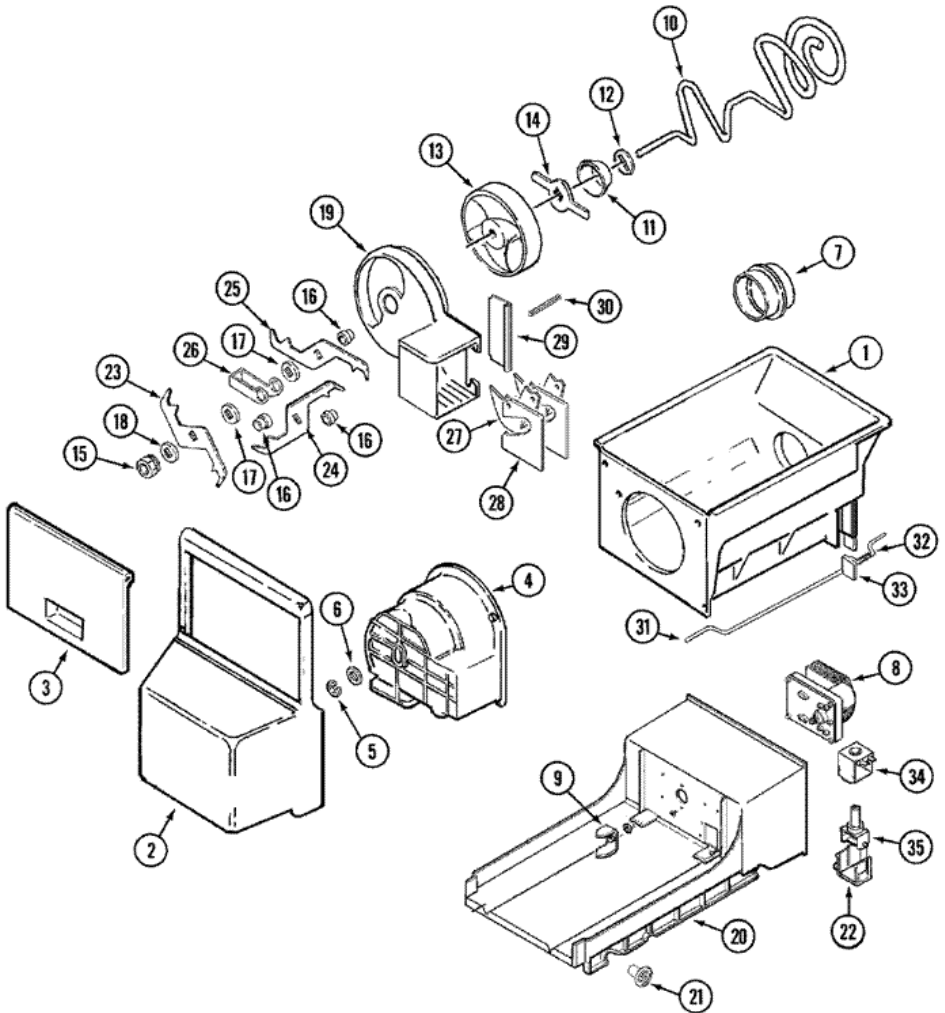
1	61003466	LINER, F.F. DOOR (S/P)
1	65275-5	SCREW (S/P)
2	61006009	SEAL, F.F. DOOR (WHT)
3	61003365	DOOR, DAIRY (S/P)
4	61003650	FRONT, PICK-OFF (S/P)
5	61003651	FRONT, PICK-OFF SHELF (S/P)
6	61002640	ORGANIZER (S/P)
7	67004411	TRAY, EGG (S/P)
8	67004412A	TRAY, BUTTER (S/P)
9	61002502	RETAINER, BOTTLE (S/P)

Distribuidor Autorizado

**SurteRápido.com**

Venta de Refacciones  
Electrodomesticas

## GS2314CXDA ICE BIN (REV 11)





**GS2314CXDA ICE BIN (REV 11)**

1	61003319	BIN, ICE <b>DESCONTINUADO</b>
2	415013-35	SCREW (S/P)
2	61003440	FRONT, ICE BIN (S/P)
3	61004776	DOOR, ICE ACCESS (S/P)
4	415013-35	SCREW (S/P)
4	61003322	HOUSING, CRUSHER <b>DESCONTINUADO</b>
5	69704-1	RING, SNAP (S/P)
6	489234	WASHER, RETAINER (S/P)
7	61003336	RING, DRIVE (S/P)
8	61004805	WIRE HARNESS, AUGER MOTOR (S/P)
8	12001773	ASSY., AUGER MOTOR/YOKE
8	61003324	SCREW (S/P)
9	63052-1	YOKE, ICE DISPENSER (S/P)
10	61003326	AUGER (S/P)
11	69699-1	CONE, ICE DEFLECTOR (S/P)
12	69698-1	WASHER, CONE STOP (S/P)
13	61003327	IMPELLER (S/P)
14	61003328	PLATE, DRIVE (S/P)
15	69709-1	NUT, AUGER (S/P)
16	69697-1	BEARING, SPACER (S/P)
17	69696-1	SPACER, CRUSHER BLADE (S/P)
18	69696-2	SPACER, BLADE (S/P)
19	61003334	MANDIPLATE <b>DESCONTINUADO</b>
20	400022-1	SCREW (S/P)
20	12001685	ENCLOSURE, ICE - SEE NOTES <b>DESCONTINUADO</b>
21	400022-1	SCREW (S/P)
21	61005080	SUPPORT, ENCLOSURE (S/P)
22	400026-12	SCREW (S/P)
22	69715-1	GUIDE, YOKE (S/P)
23	69702-3	BLADE, CRUSHER (S/P)
24	69702-2	BLADE, CRUSHER (S/P)
25	61003451	BLADE, CRUSHER (S/P)
26	61003445	DIVERTER, ICE (S/P)

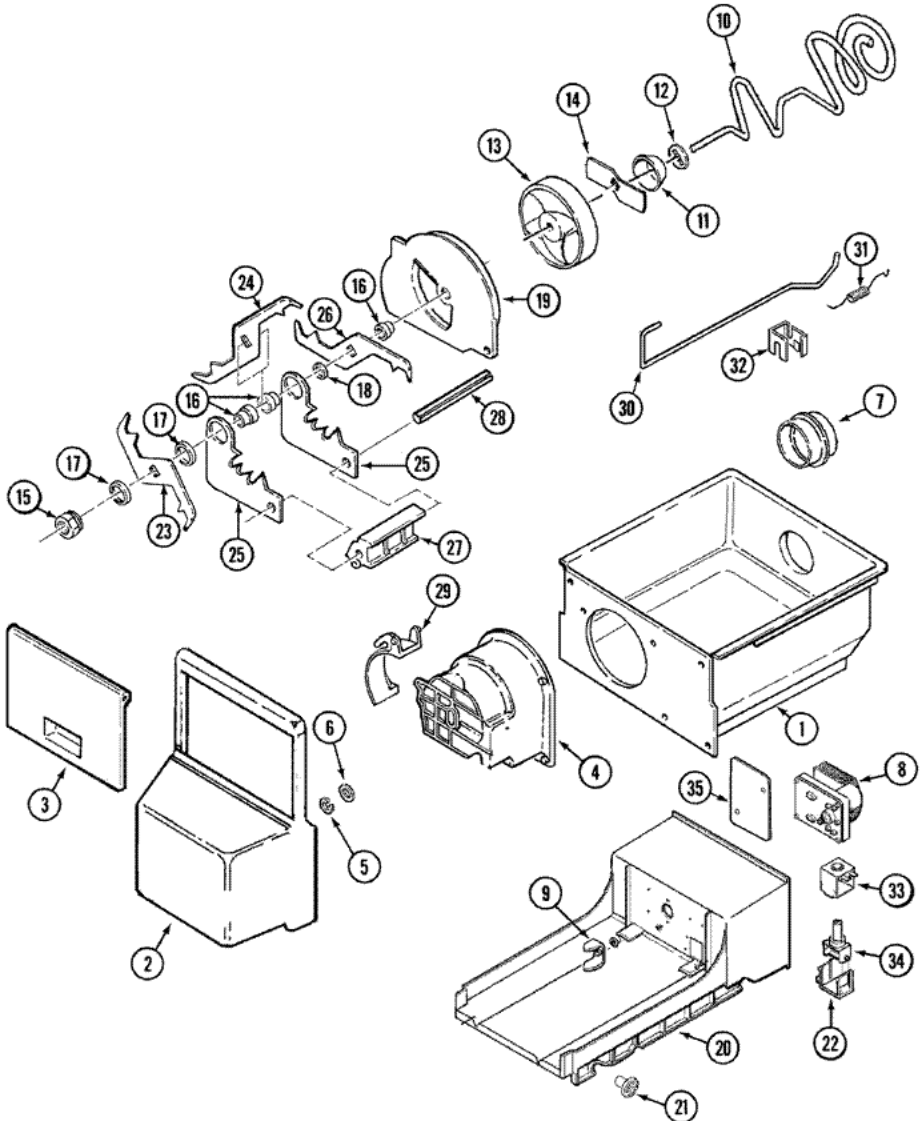
27	61003448	BLADE, ACTUATED (S/P)
28	61003446	SUPPORT, CONTROL ROD (S/P)
29	61003444	SHIELD, SNOW (S/P)
30	61003449	PIN, MANDIBLE (S/P)
31	61003450	ROD, CRUSHER CONTROL <b>DESCONTINUADO</b>
32	61003447	SPRING, CONTROL ROD (S/P)
33	69716-1	BRACKET, CONTROL ROD (S/P)
34	61003324	SCREW (S/P)
34	61003118	SOLENOID
35	61003539	YOKE ASSY.

Distribuidor Autorizado

**SurteRápido.com**

Venta de Refacciones  
Electrodomesticas

**GS2314CXDA ICE BIN (REV 12)**







## GS2314CXDA ICE BIN (REV 12)

1	61004802	BIN, ICE (S/P)
2	415013-35	SCREW (S/P)
2	61004803	FRONT, ICE BIN (S/P)
3	61004776	DOOR, ICE ACCESS (S/P)
4	61004804	HOUSING, CRUSHER (S/P)
4	415013-35	SCREW (S/P)
4	61004869	SEAL (S/P)
5	69704-1	RING, SNAP (S/P)
6	489234	WASHER, RETAINER (S/P)
7	61003336	RING, DRIVE (S/P)
8	12001773	ASSY., AUGER MOTOR/YOKE (S/P)
8	61003324	SCREW (S/P)
8	61004805	WIRE HARNESS, AUGER MOTOR (S/P)
9	63052-2	YOKE, ICE DISPENSER
10	61003326	AUGER (S/P)
11	69699-1	CONE, ICE DEFLECTOR (S/P)
12	69698-1	WASHER, CONE STOP (S/P)
13	70036-1	IMPELLER (S/P)
14	69755-1	PLATE, DRIVE (S/P)
15	69709-1	NUT, AUGER (S/P)
16	69697-1	BEARING, SPACER (S/P)
17	69696-1	SPACER, CRUSHER BLADE (S/P)
18	69696-2	SPACER, BLADE (S/P)
19	69701-1	PLATE, IMPELLER (S/P)
20	61005614	ENCLOSURE, ICE (S/P)
20	400022-1	SCREW (S/P)
21	400022-1	SCREW (S/P)
21	61005080	SUPPORT, ENCLOSURE (S/P)
22	400026-12	SCREW (S/P)
22	69715-1	GUIDE, YOKE (S/P)
23	69702-3	BLADE, CRUSHER (S/P)
24	69702-2	BLADE, CRUSHER (S/P)
25	69706-1	BLADE, CRUSHER (S/P)

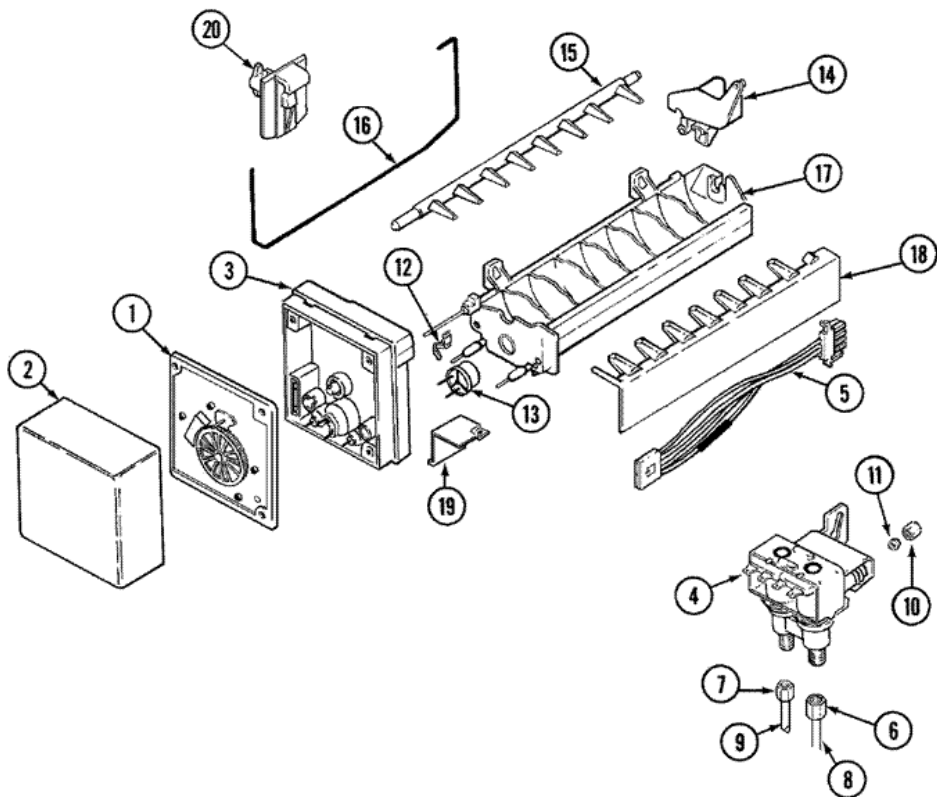
26	69702-1	BLADE, CRUSHER
27	69708-1	LOCK, FIXED BLADE
28	69705-1	PIN, BLADE LOCK
29	69718-1	DOOR, ICE CRUSHER
30	61004807	ROD, CRUSHER CONTROL
31	61004808	SPRING, CONTROL ROD
32	61004809	BRACKET, CONTROL ROD
33	61003324	SCREW
33	61005253	SOLENOID
34	61005844	YOKE ASSY.
35	61004850	SHIELD, WIRE

Distribuidor Autorizado

**SurteRápido.com**

Venta de Refacciones  
Electrodomesticas

## GS2314CXDA ICE MAKER

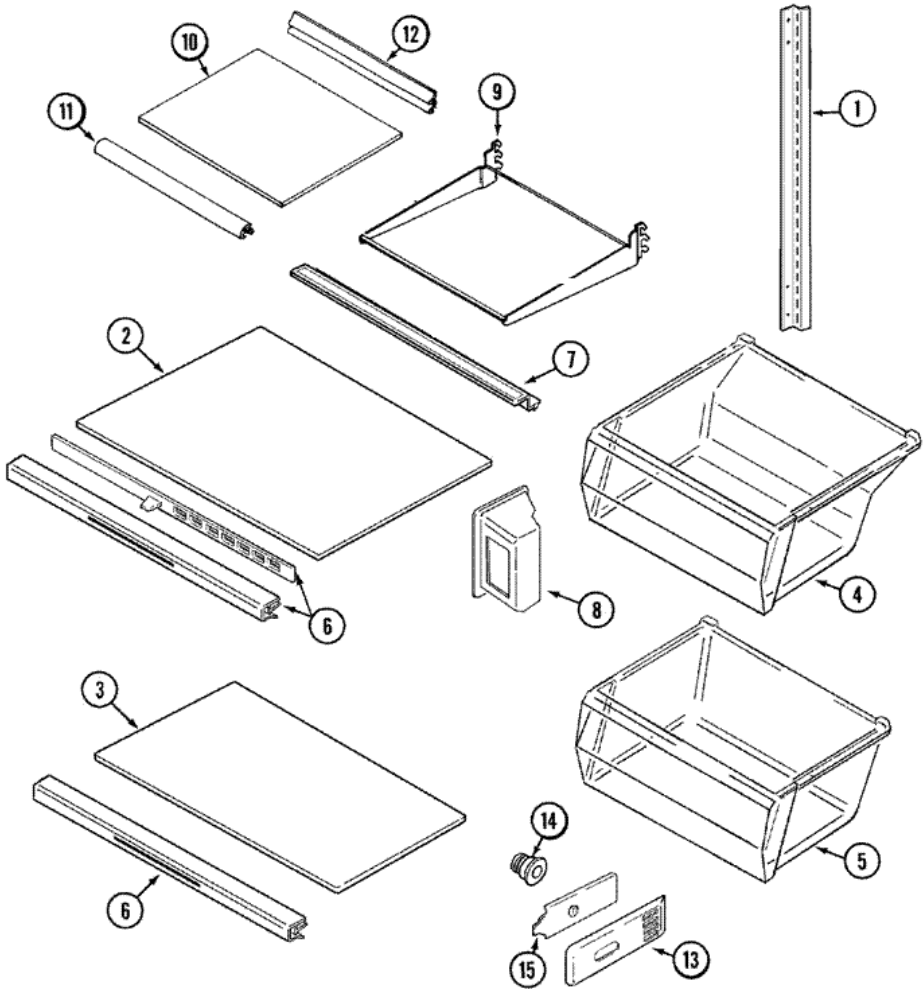




**GS2314CXDA ICE MAKER**

1	D7824706Q	MODULE, ICE MAKER
1	400017-1	SCREW (S/P)
2	61005374	COVER, ICE MAKER (S/P)
3	2195914	SUPPORT, MODULE HOUSING (S/P)
3	95106-1	SCREW (S/P)
4	61005626	VALVE, WATER (ICE MAKER)
4	61003324	SCREW (S/P)
5	61003318	WIRE HARNESS, ICE MAKER (S/P)
6	8201513	NUT, COMPRESSION (5/16``) (S/P)
7	69583-1	NUT, COMPRESSION (1/4``) (S/P)
9	67579-26	TUBING (S/P)
10	69432-1	NUT, BRASS (1/4``) (S/P)
11	487627	SLEEVE, BRASS (S/P)
12	2315522	RETAINER, THERMOSTAT (S/P)
13	627985	THERMOSTAT (S/P)
13	95093-1	CEMENT, ALUMILASTIC (4 OZ.) (S/P)
14	628356	INLET, WATER (S/P)
15	627843	EJECTOR, ICE (S/P)
16	70142-1	ARM, SENSOR (S/P)
17	D7824706Q	MOLD & HEATER ASSY.
18	2182124	STRIPPER, ICE (S/P)
19	625910	BRACKET, MODULE & HEATER (S/P)
19	95108-1	SCREW, BRACKET (S/P)
20	61004851	SUPPORT, ICE MAKER (S/P)

# GS2314CXDA SHELVES





## GS2314CXDA SHELVES

1	400017-1	SCREW <b>(S/P)</b>
1	61003240	RAIL, SHELF SUPPORT <b>(S/P)</b>
2	61003241	GLASS, CRISPER SHELF <b>(S/P)</b>
3	61003157	GLASS, MEAT SHELF <b>(S/P)</b>
4	61006110	PAN, CRISPER <b>(S/P)</b>
5	61006111	PAN, MEAT <b>(S/P)</b>
6	61003248	TRIM, SHELF (CRISPER-W/SLIDE) <b>(S/P)</b>
6	61003162	TRIM <b>(S/P)</b>
7	61003161	SEAL, CRISPER SHELF (REAR) <b>(S/P)</b>
8	61006081	COVER ASSY., AIR RETURN
9	61003373	FRAME, SHELF <b>(S/P)</b>
10	61003247	GLASS, SHELF <b>(S/P)</b>
11	61003245	TRIM, SHELF <b>(S/P)</b>
12	61003244	TRIM, SHELF <b>(S/P)</b>
13	61003250	RETAINER, CONTROL SLIDE <b>(S/P)</b>
14	53726-2	TUNNEL, AIR (MEAT) <b>(S/P)</b>
15	61003249	SLIDE, CONTROL (MEAT) <b>(S/P)</b>