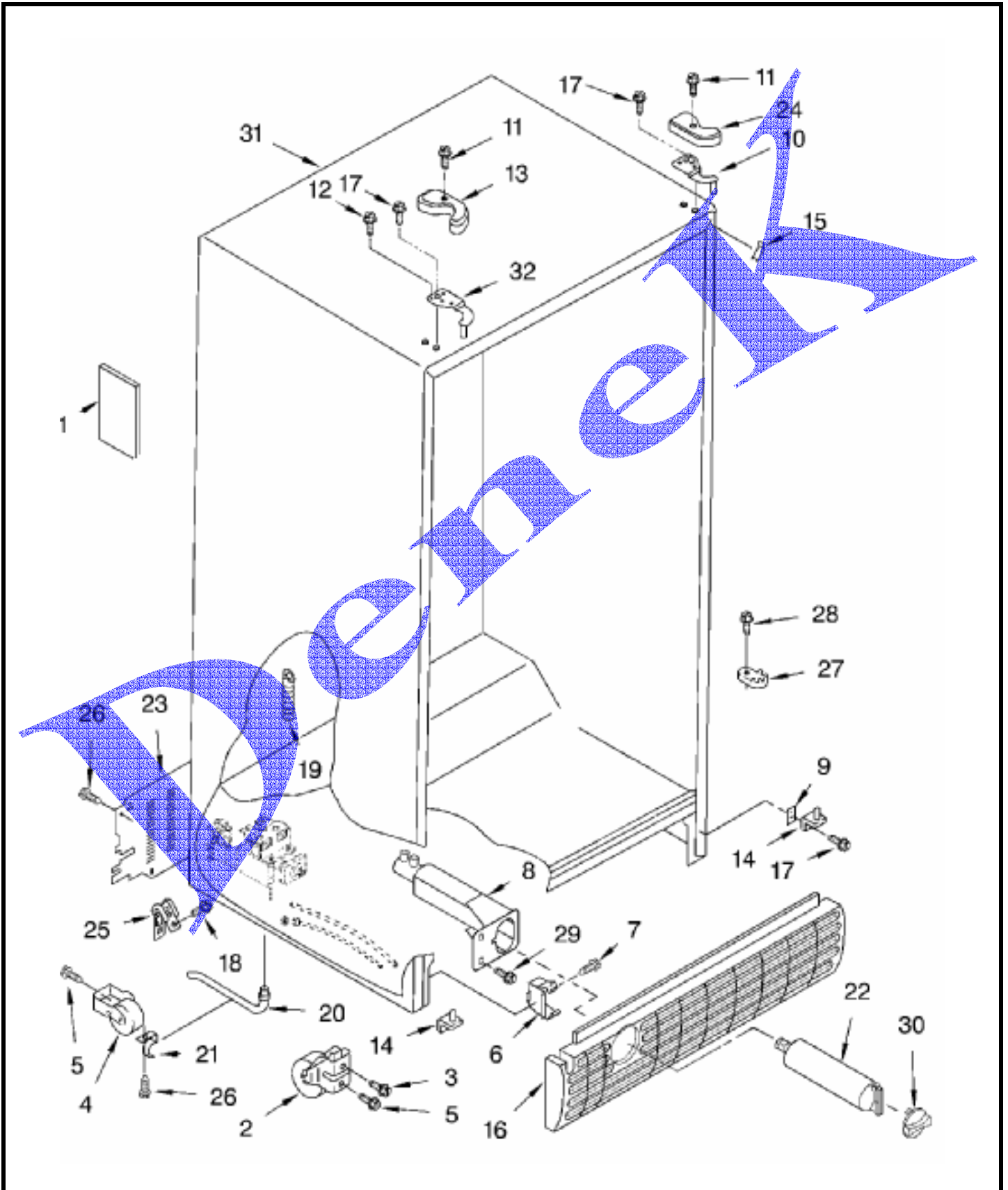


WHIRLPOOL REFRIGERADOR GS2SHGXLQ01

CABINET, LITERATURE



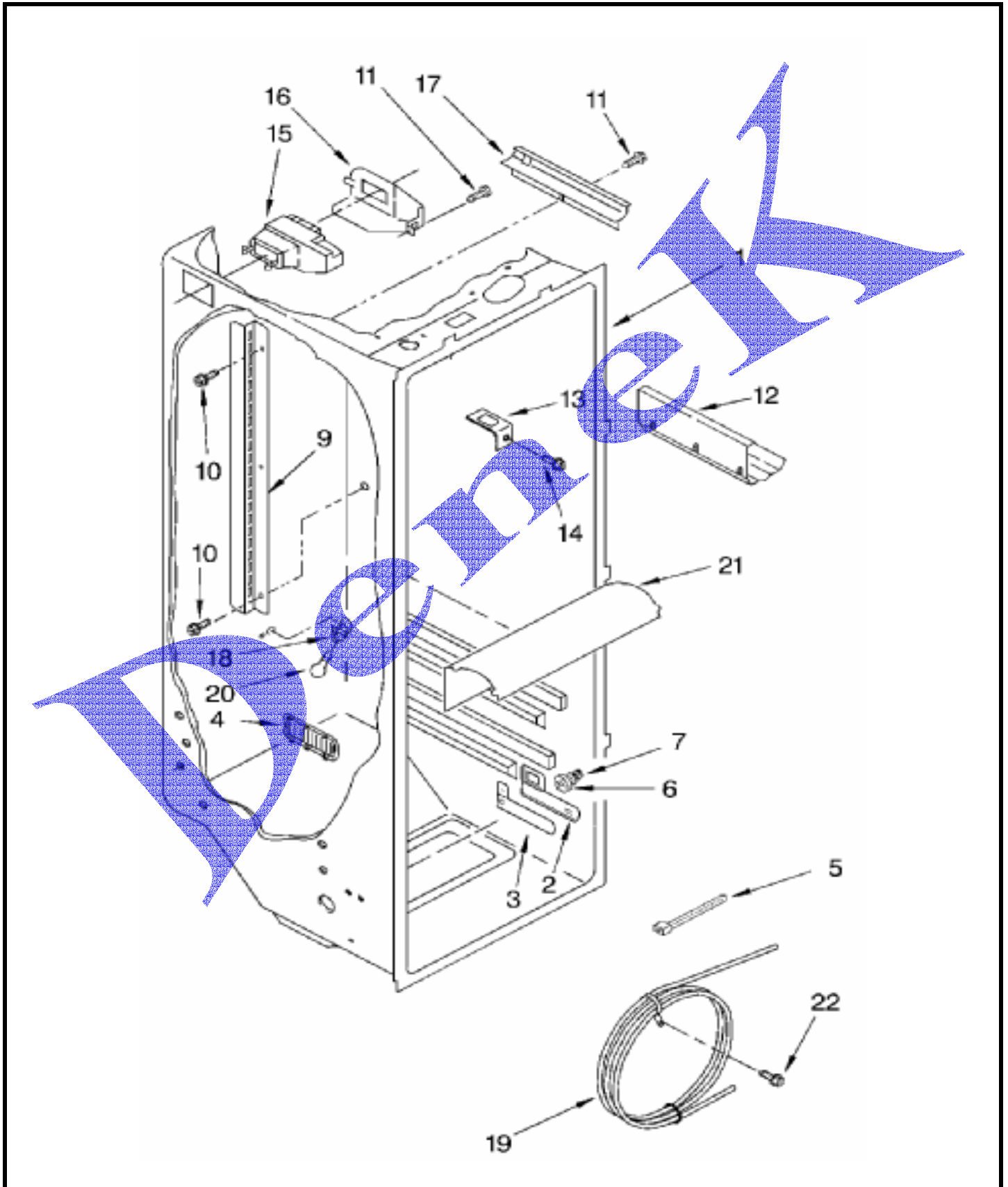
WHIRLPOOL REFRIGERADOR GS2SHGXLQ01

CABINET, LITERATURE

1	LIT2220425	LITERATURE PARTS (Energy Label)
1	LIT2220699	LITERATURE PARTS (Owner`s Manual)
1	LIT2255381	LITERATURE PARTS (Service & Wiring Sheet)
1	LIT628370	LITERATURE PARTS (Modular Icemaker Service Sheet)
2	2174748	Front Roller (2)
3	3400517	Screw
4	2196236	Roller (Rear) (2)
5	489427	Screw
6	2155013	Clip, Grille
7	489478	Screw
8	2186443	Housing, Water Filter
9	2209697	Shim
10	2203771	Hinge Top, RC
11	8281227	Screw
12	8281149	Screw
13	2203407T	Hinge Cover, FC (Biscuit)
13	2203407W	Hinge Cover, FC (White)
13	2203407B	Hinge Cover, FC (Black)
14	2217075	Hinge Bottom (2)
15	2196150	Filler, Wrapper (Biscuit)
15	2196094	Filler, Wrapper (White)
15	2196097	Filler, Wrapper
16	2198467B	Grille (Black)
16	2198467W	Grille (White)
16	2198467T	Grille (Biscuit)
17	489497	Screw
18	489464	Screw
19	940139	Drain Fitting
20	1108438	Extension Tube
21	1108439	Clip, Drain Tube
22	2203220	Water Filter
23	2204202	Cover, Unit
24	2203408W	Hinge Cover (RC)
24	2203408B	Hinge Cover, RC (Black)
24	2203408T	Hinge Cover, RC (Biscuit)
25	549193	Clamp, Service Cord
26	489084	Screw
27	2155311	Door Closer, Lower Cam (2)
28	489483	Screw
29	489500	Screw
30	2186494W	Cap, Water Filter (White)
30	2186494B	Cap, Water Filter (Black)
30	2186494T	Cap, Water Filter (Biscuit)
32	2203770	Hinge Top (FC)

WHIRLPOOL REFRIGERADOR GS2SHGXLQ01

REFRIGERATOR LINER



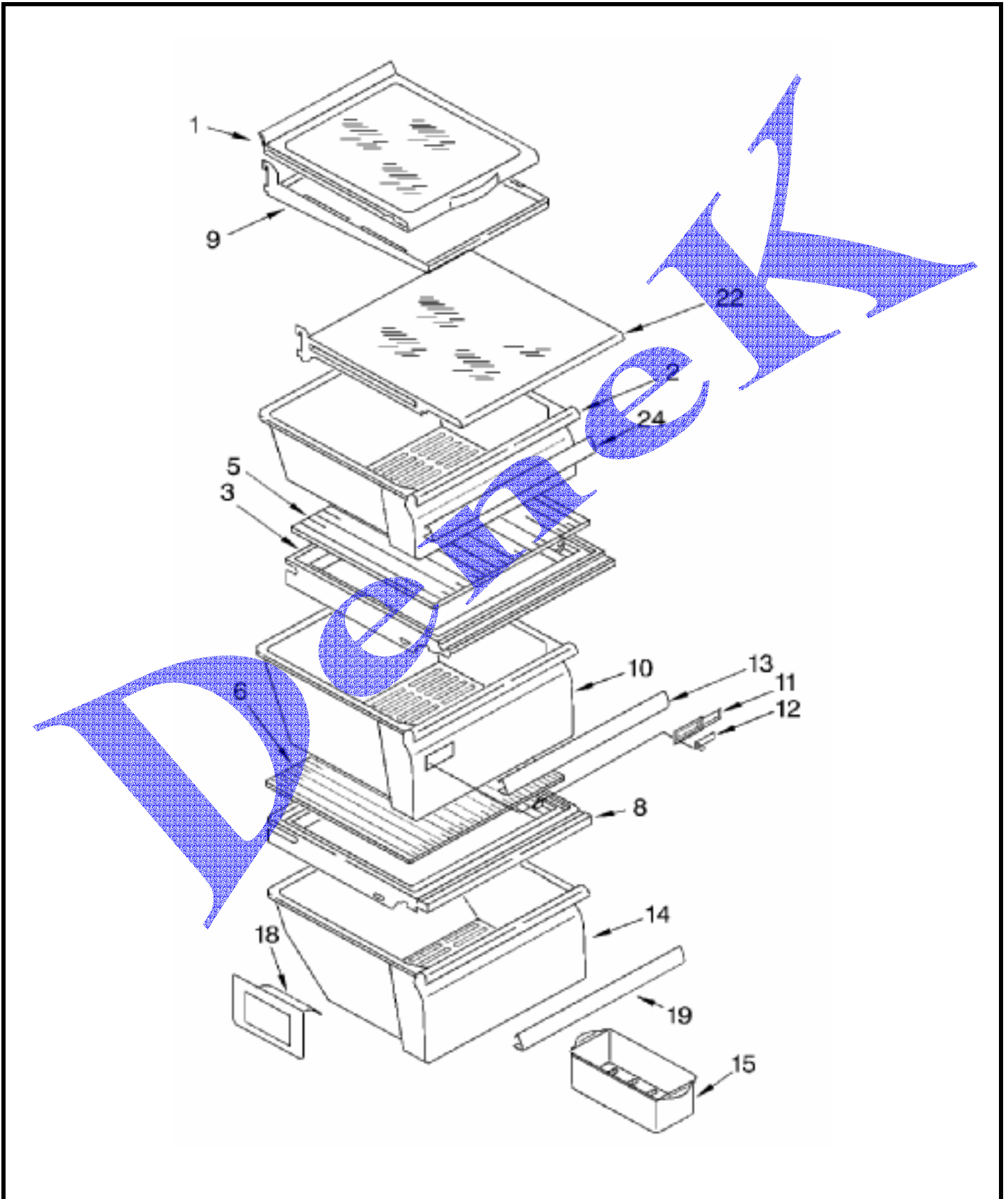
WHIRLPOOL REFRIGERADOR GS2SHGXLQ01

REFRIGERATOR LINER

2	2194744	Escutcheon, Meat Pan Control
3	2182757	Slide, Meat Pan Control
4	2182147	Louver
5	2205813	Strap
6	2196485	Stud Assembly
7	3400894	Screw
9	2206270	Shelf Ladder
10	487539	screw
11	486298	Screw
12	2179404	Rack, Wine & Egg
13	1123919	Bracket Retainer
14	489290	Screw (4)
15	2209753	Air Diffuser Assembly
16	2152019	Air Diffuser Cover
17	2150331	Cover, Wiring
18	2162085	Socket, Light
19	2217199	Reservoir
20	527949	Light Bulb
21	2209769	Light Lens
22	488280	Screw

WHIRLPOOL REFRIGERADOR GS2SHGXLQ01

REFRIGERATOR SHELF



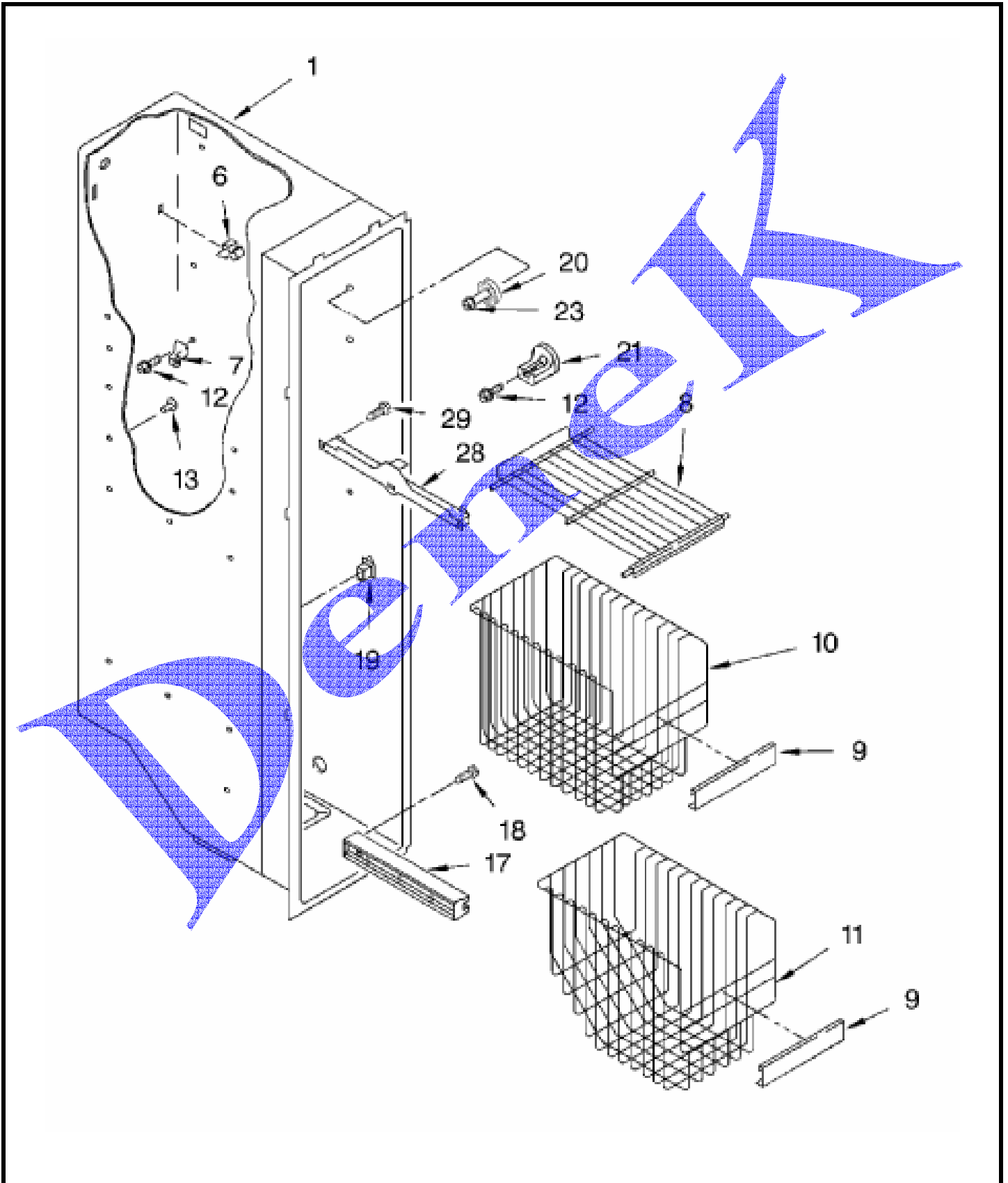
WHIRLPOOL REFRIGERADOR GS2SHGXLQ01

REFRIGERATOR SHELF

1	2194736	Shelf Assembly, Glass Sliding
2	2196163	Snack Bin
3	2209698	Cover, Crisper
5	2174150	Glass, Cover
6	2179259	Glass, Cover
8	2217039	Cover, Meat Pan
9	2195975	Frame, Shelf (2)
10	2196160	Crisper Pan
11	2179343	Front, Crisper Pan
12	2179342	Slide, Humidity Control
13	2194913	Trim, Crisper
14	2196162	Meat Pan
15	2216624	Egg Bin
18	2179350	Deflector
19	2194906	Trim, Meat Pan
22	2206347	Shelf, Snack Bin
24	2179243	Trim, Handle

WHIRLPOOL REFRIGERADOR GS2SHGXLQ01

FREEZER LINER



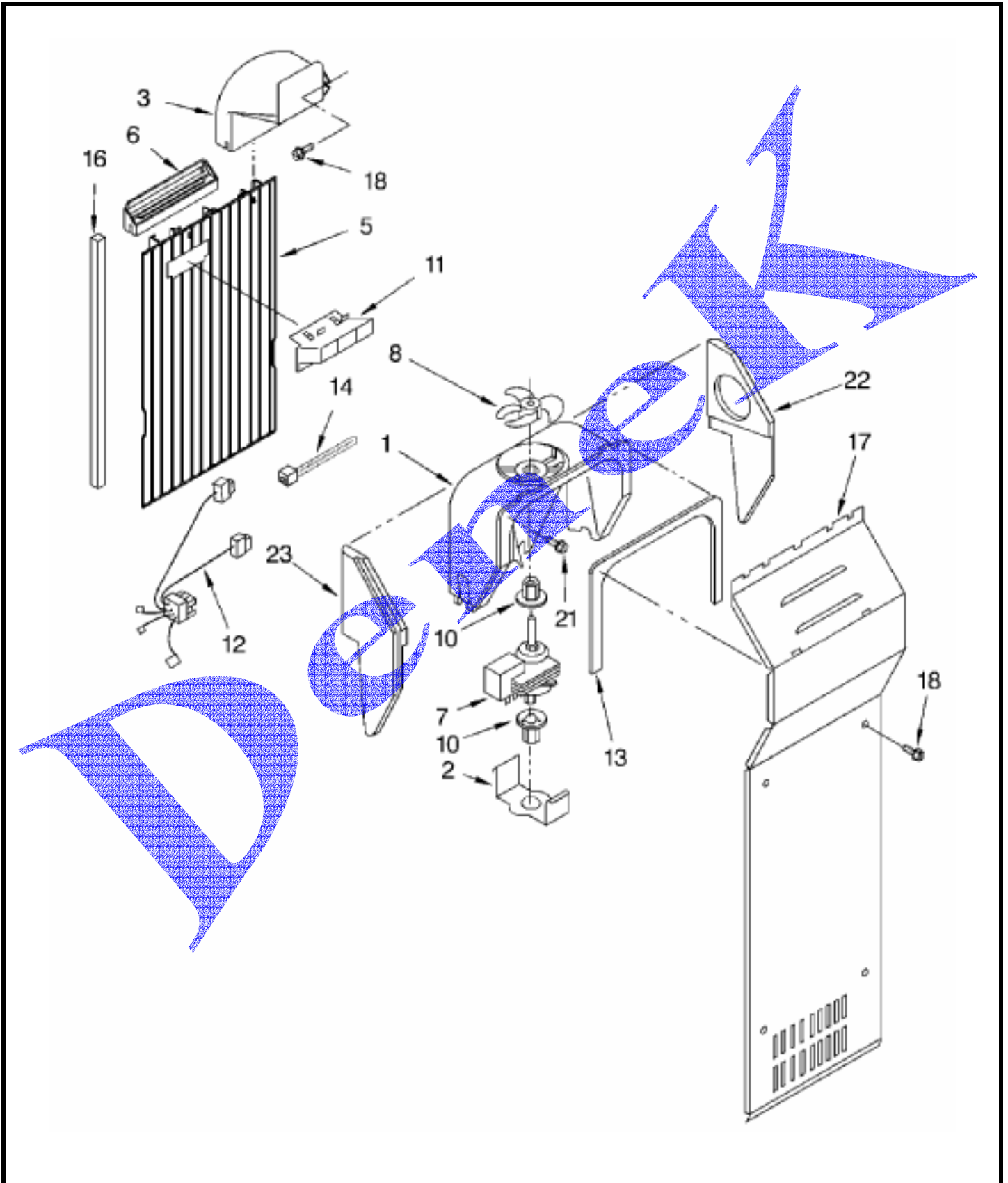
WHIRLPOOL REFRIGERADOR GS2SHGXLQ01

FREEZER LINER

6	842534	Clip, Air Duct (2)
7	2196206	Support, Stud (4)
8	2174249	Shelf, Small (1)
9	2195904	Basket Front
10	2181761	Basket, Tall
11	2181762	Basket, Slope
12	3400893	Screw
13	2176134	Grommet
17	2181759	Slide, Basket (Left Side (2))
17	2181760	Slide, Basket (Right Side (2))
18	486298	Screw
19	1115373	Switch, Rocker Arm
20	2196483	Stud Assembly
21	2196207	Stud, Rear
23	8281158	Screw
28	1119293	Slide, Container (Right Side)
28	1119237	Slide, Container (Left Side)
29	489100	Screw

WHIRLPOOL REFRIGERADOR GS2SHGXLQ01

AIR FLOW



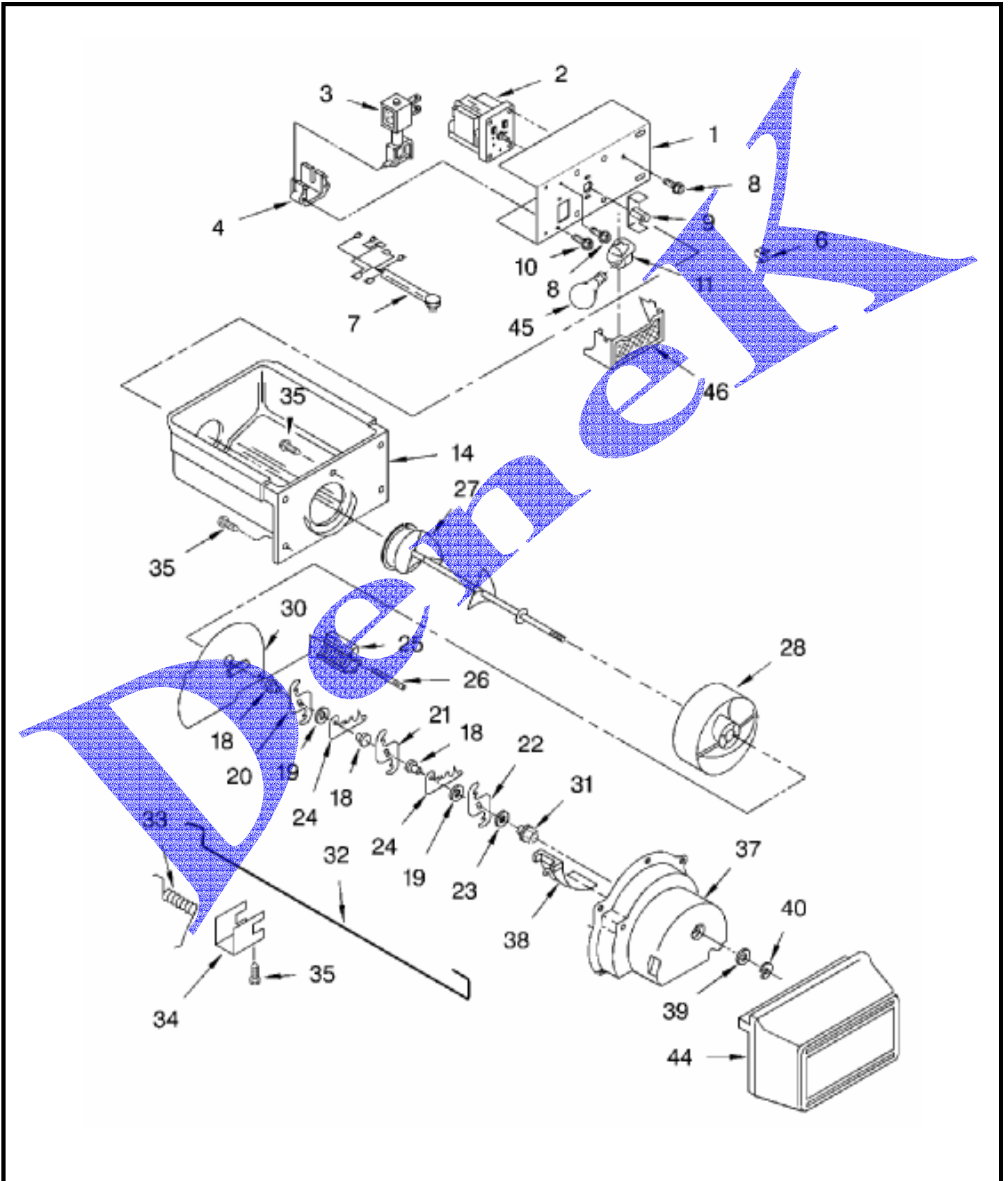
WHIRLPOOL REFRIGERADOR GS2SHGXLQ01

AIR FLOW

1	2182119	Fan Scroll
2	2155590	Retainer, Fan Motor
3	2161231	Air Scoop
5	2203591	Air Duct Freezer
6	2149544	Diffuser Air Duct
7	2188303	Fan Motor
8	2169142	Fan Blade
10	2176759	Fan Grommet (2)
11	2182146	Duct, Icemaker
12	2206504	Harness, Fan Evaporator (Includes 4)
13	2155788	Gasket, Fan Scroll
14	2172840	Strap
16	2203875	Gasket
17	2203840	Cover, Evaporator
18	489355	Screw
21	489478	Screw
22	2203595	Support, R.S.
23	2203596	Support, L.S

WHIRLPOOL REFRIGERADOR GS2SHGXLQ01

MOTOR AND ICE CONTAINER



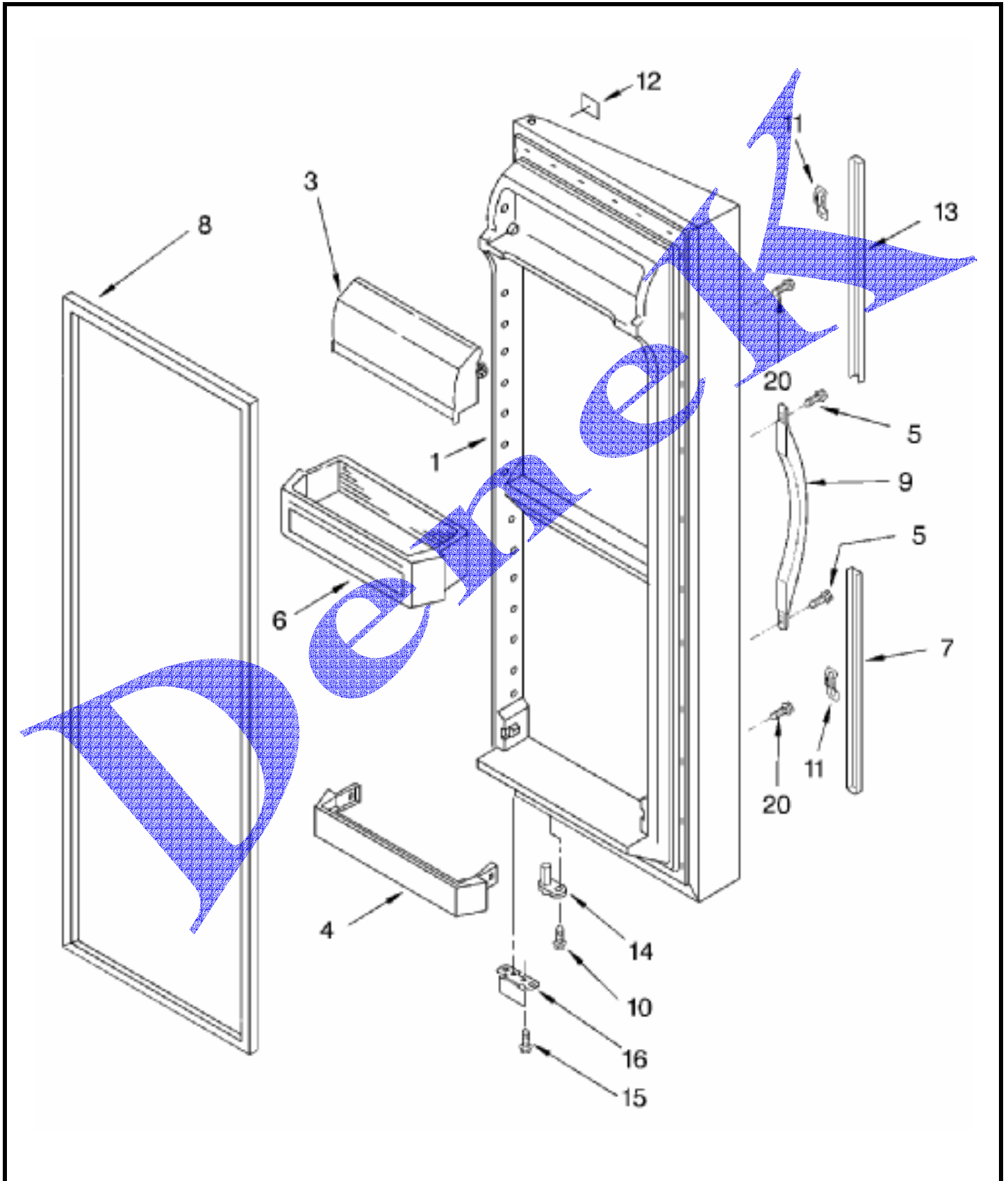
WHIRLPOOL REFRIGERADOR GS2SHGXLQ01

MOTOR AND ICE CONTAINER

1	2183728	Bracket, Motor
2	2188385	Motor, Dispenser
3	2152713	Solenoid Assembly
4	2149100	Gudie, Solenoid
6	1115374	Clip, Wiring
7	2206501	Wiring Assembly, Ice Dispenser
8	489399	Screw
9	2205716	Coupling, Motor
10	489478	Screw
11	2162085	Socket, Light
14	2196089	Ice Container
18	1119005	Spacer, Step (2)
19	1119007	Spacer, Flat
20	1119006	Blade, Rotary
21	1119012	Blade, Rotary
22	1119013	Blade, Rotary
23	489235	Washer, Plain
24	1119009	Blade, Fixed (2)
25	2157405	Block, Blade
26	489229	Roll Pin
27	2196295	Auger
28	2209781	Drum
30	2171682	Floating Baffle
31	1119018	Nut, Bearing
32	2155231	Control Arm
33	1119020	Spring, Return
34	1119021	Retainer Clip, Rod
35	488886	Screw, 8-18 x 1/2
37	2180348	Housing, Crusher
38	1119017	Deflector, Ice
39	489234	Washer, Plain
40	489236	Retainer Ring
44	2171709	Front Cover, Ice Container
45	527949	Light Bulb
46	2171706	Light Lens, Dispenser

WHIRLPOOL REFRIGERADOR GS2SHGXLQ01

REFRIGERATOR DOOR



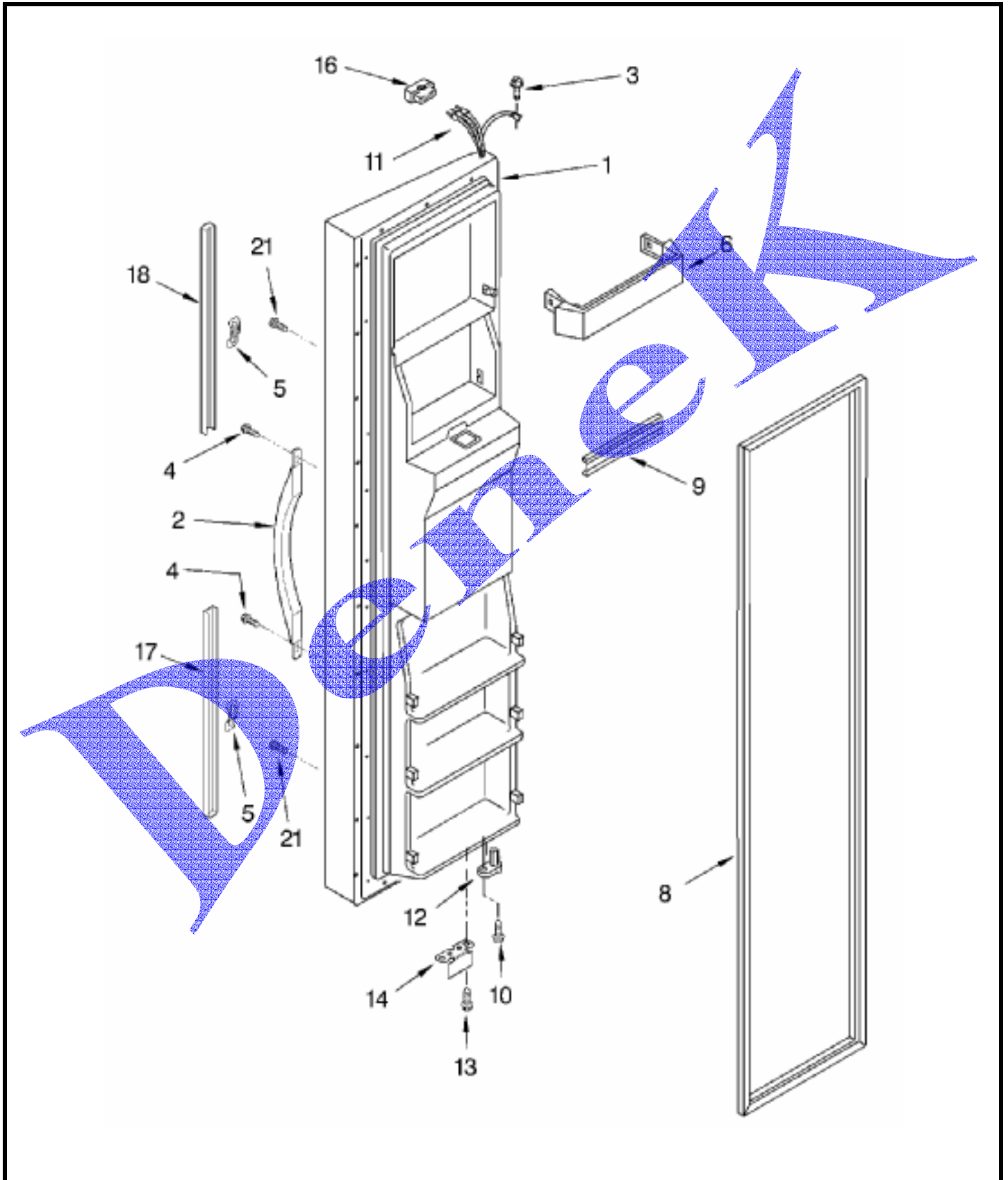
WHIRLPOOL REFRIGERADOR GS2SHGXLQ01

REFRIGERATOR DOOR

1	2207033SB	Refrigerator Door (Includes Item No.8) (Stainless Steel)
1	2207033B	Refrigerator Door (Includes Item No.8) (Black)
1	2207033LB	Refrigerator Door (Includes Item No.8) (Stainless-VCM)
1	2207033T	Refrigerator Door (Includes Item No.8) (Biscuit)
1	2207033W	Refrigerator Door (Includes 6) (White)
3	2177105	Door, Compartment
4	2156022	Trivet, Shelf
5	489491	Screw
6	2179607	Shelf Bin (3)
7	2217186T	Trim, Door-Bottom (Biscuit)
7	2217186B	Trim, Door-Bottom (Black)
7	2217186W	Trim, Door-Bottom
8	2221311	Door Gasket, Magnetic (Black)
8	2221300	Door Gasket, Magnetic (Mist Beige)
9	2217185W	Handle, Center
9	2217185B	Handle (Black)
9	2217185T	Handle (Biscuit)
10	3400012	Screw
11	2195327	Clip
12	2220214	Nameplate
13	2217191B	Trim, Door-Top (Black)
13	2217191T	Trim, Door-Top (Biscuit)
13	2217191W	Extension, Top (White)
14	2182178	Door Closer, Upper Cam
15	489420	Screw
16	2200082	Bracket, Door Stop (Chrome)
16	2200082B	Bracket, Door Stop (Black)
20	3400852	Screw

WHIRLPOOL REFRIGERADOR GS2SHGXLQ01

FREEZER DOOR



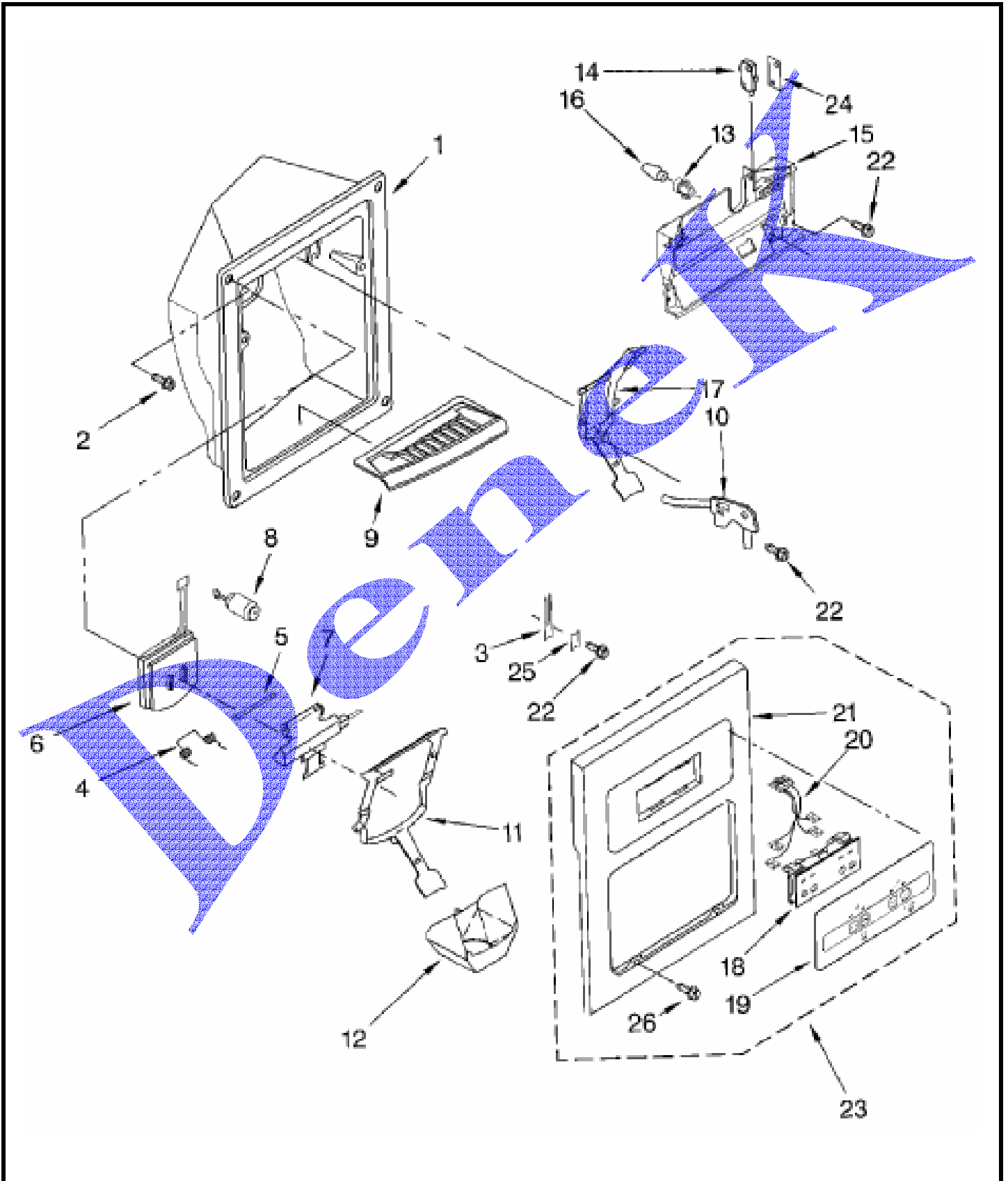
WHIRLPOOL REFRIGERADOR GS2SHGXLQ01

FREEZER DOOR

1	2220411SB	Freezer Door (Includes Item No.8 And Dispenser Front Parts) (Stainless Steel)
1	2220411W	Freezer Door (Includes Item No.8 And Dispenser Front Parts) (White)
1	2220411B	Freezer Door (Includes Item No.8 And Dispenser Front Parts) (Black)
1	2220411LB	Freezer Door (Includes Item No.8 And Dispenser Front Parts) (Stainless-VCM)
1	2220411T	Freezer Door (Includes Item No.8 And Dispenser Front Parts) (Biscuit)
2	2217185W	Handle, Center
2	2217185B	Handle (Black)
2	2217185T	Handle (Biscuit)
3	8281149	Screw
4	489491	Screw
5	2195327	Clip
6	2156021	Trivet, Shelf (4)
8	2221301	Door Gasket, Magnetic (Mist Beige)
8	2221312	Door Gasket, Magnetic (Black)
9	2209680	Trim, Door Shelf
11	2206602	Wire Harness
12	2182179	Door Closer, Upper Cam
13	489420	Screw
14	2200082	Bracket, Door Stop (Chrome)
16	2154473	Connector
17	2217186T	Trim, Door-Bottom (Biscuit)
17	2217186B	Trim, Door-Bottom (Black)
17	2217186W	Trim, Door-Bottom
18	2217191B	Trim, Door-Top (Black)
18	2217191T	Trim, Door-Top (Biscuit)
18	2217191W	Extension, Top (White)
21	3400852	Screw

WHIRLPOOL REFRIGERADOR GS2SHGXLQ01

DISPENSER FRONT



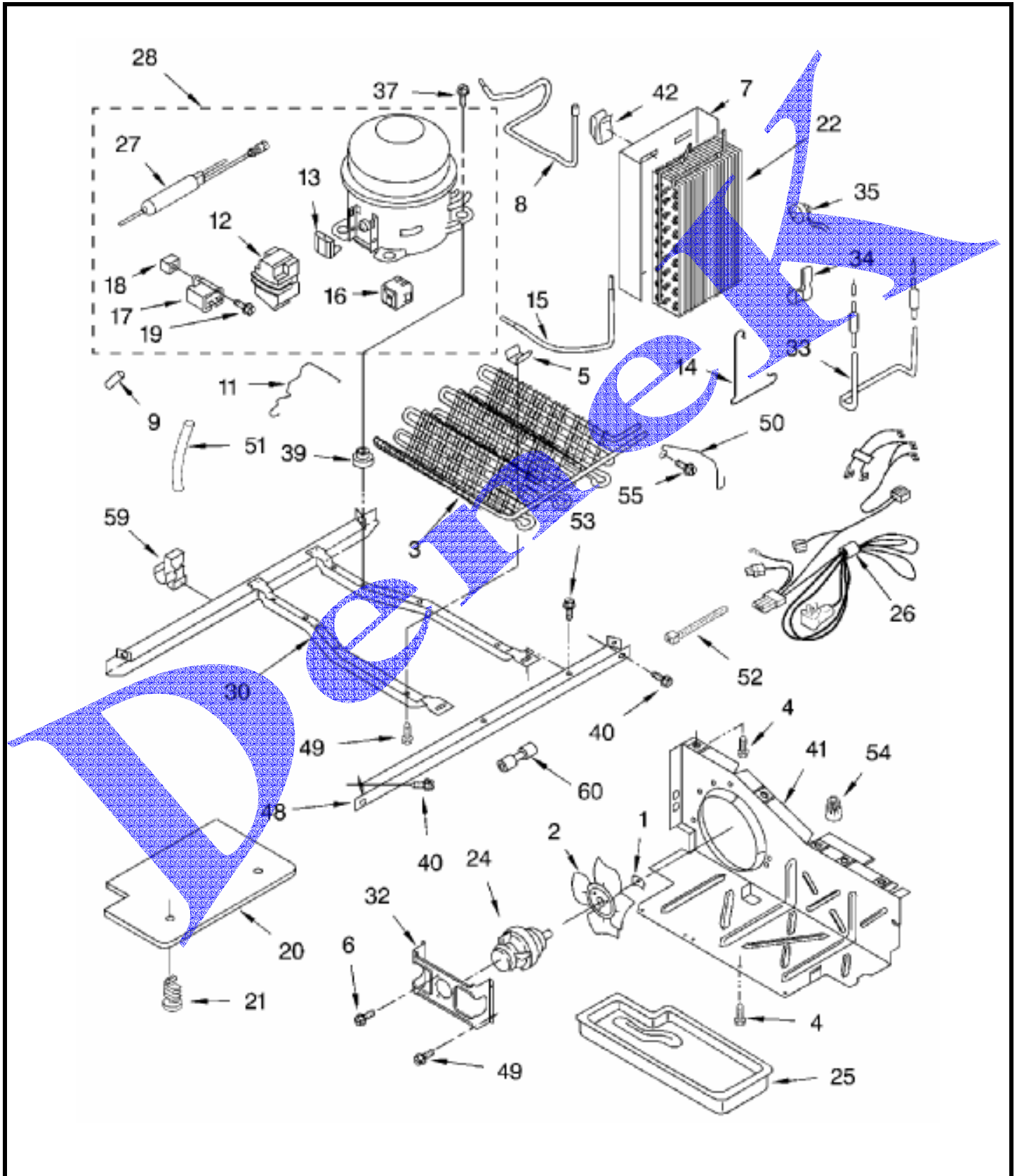
WHIRLPOOL REFRIGERADOR GS2SHGXLQ01

DISPENSER FRONT

2	3196165	Screw
3	2194719	Retainer, Levers
4	2180209	Spring, Torsion
5	2196195	Pin
6	2180352	Door, Ice
7	2206423	Door Mechanism Assembly
8	2205686	Mechanism Delay
9	2207048T	Grille, Overflow (Biscuit)
9	2207048W	Grille, Overflow (White)
9	2207048B	Grille, Overflow (Black)
10	2209718	Water Fitting Assembly (Includes Water Tube)
11	2203562T	Lever, Ice Dispenser (Biscuit (Almond Shadow Pad))
11	2203562B	Lever, Ice Dispenser (Black (Storm Grey Pad))
11	2203562W	Lever, Ice Dispenser (White (White Shadow Pad))
12	2180224	Guide, Ice
13	2180200	Lamp Holder
14	2162361	Switch (4)
15	2183771	Bracket, Control
16	3406124	Bulb, Light
17	2203561B	Lever, Water Dispenser (Black (Storm Grey Pad))
17	2203561W	Lever, Water Dispenser (White (White Shadow Pad))
17	2203561T	Lever, Water Dispenser (Biscuit (Almond Shadow Pad))
20	2187409	Wire Assembly
22	489000	Screw
23	2220386B	Front Cover Assembly (Includes Items 18, 19, 20 & 21) (Black)
23	2220386T	Front Cover Assembly (Includes Items 18, 19, 20 & 21) (Biscuit)
23	2220386W	Front Cover Assembly (Includes Items 18, 19, 20 & 21) (White)
24	625834	Spacer, Switch (2)
25	2195051	Strain Relief
26	3400065	Screw

WHIRLPOOL REFRIGERADOR GS2SHGXLQ01

UNIT



WHIRLPOOL REFRIGERADOR GS2SHGXLQ01

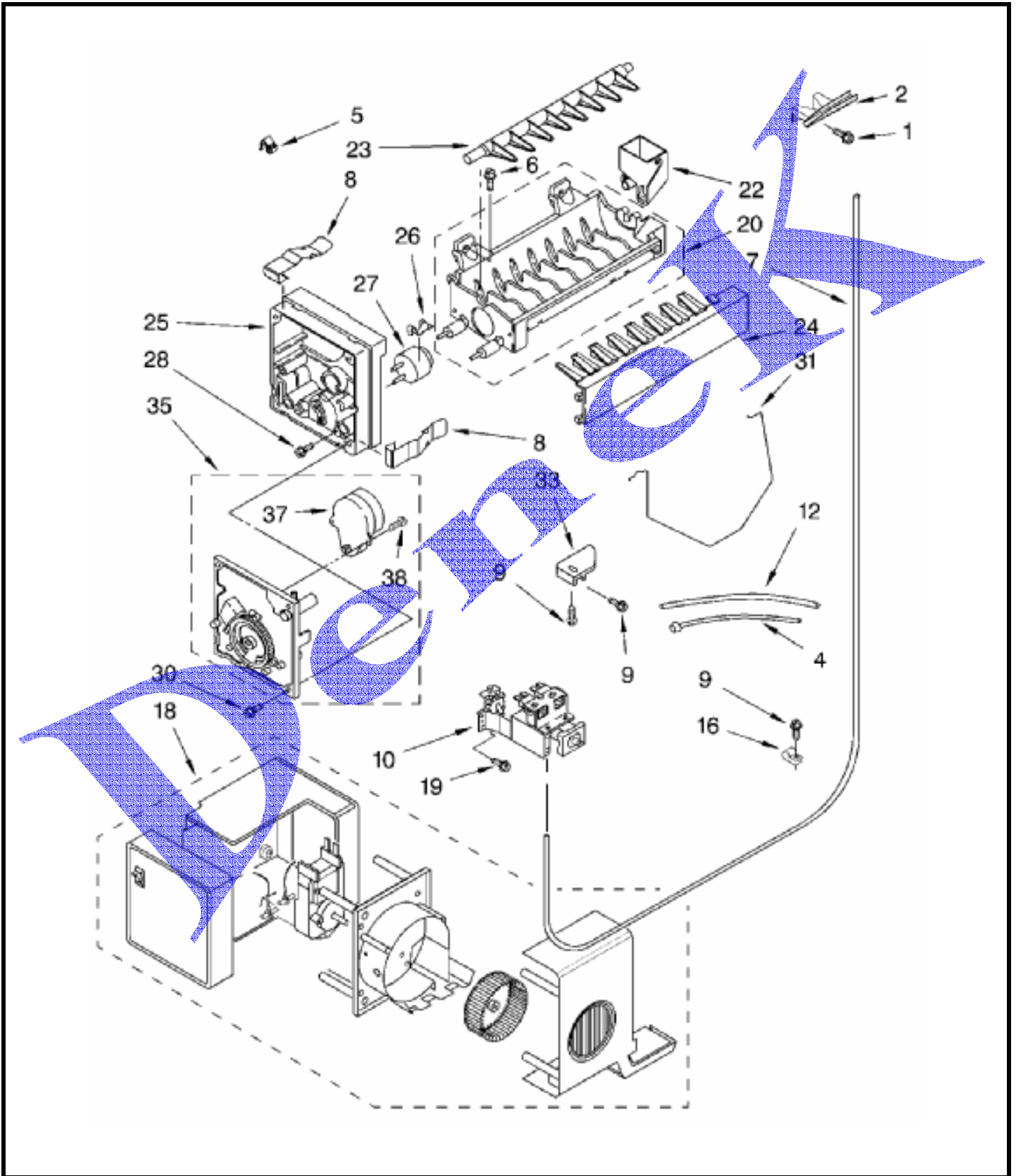
UNIT

1	486692	Speed Nut
2	2190685	Blade, Fan
3	2204484	Condenser Assembly
4	489464	Screw
5	2216914	Clip, Condenser
6	489099	Screw
7	2149293	Heat Shield
8	2205764	Tube Suction
9	2158826	Dampener (2)
11	2223314	Clip, Retaining
12	4387731	Cover (Service Only)
13	4387767	Overload (Service Compressor Only - Includes Relay)
14	2161324	Clip
15	2211760	Tube, Condenser to Heat Loop
16	2220474	Start-Device, Combination (Start Relay and Overload for Production Compressor Only)
17	4387764	Capacitor (Service)
17	999532	Capacitor (Production)
18	509812	Grommet
19	488687	Screw
20	2182057	Unit Cover, Bottom
21	489396	Clip
22	2164518	Evaporator
24	2188537	Motor, Fan
25	1105523	Tray, Evaporator
26	2187510	Harness, Unit
27	2199167	Drier (Production)
27	4387019	Drier (Service)
28	2212191	Compressor (Includes Items 12, 13, 15, 17, 19 & 27)
30	2160501	Frame, Unit Mounting
32	2181929	Bracket, Fan Motor
33	2188174	Heater, Defrost
34	2161330	Clip, Heater
35	2196155	Bi-Metal, Defrost
37	489473	Screw
39	4387558	Grommet (4) (Service)
39	2183042	Grommet (4) (Production)
40	489340	Screw
41	2196202	Air Baffle
42	2155547	Clip, Heat
48	2149718	Unit Mounting Rail
49	8281232	Screw
50	2186496	Guard, Fan
51	2161302	Sleeve
52	2172840	Strap
53	489427	Screw
54	850145	Wire Connector
55	489478	Screw

59	2208280	Clip, Wire & Tube
60	2209709	Connector, Water Tube
60	876764	Valve, Access (3/16``)
60	978030	Valve, Access (3/4``)
60	978027	Valve, Access (3/8``)
60	978029	Valve, Access (5/8``)
60	978025	Valve, Access (1/4``)
60	978026	Valve, Access (5/16``)
60	978028	Valve, Access (1/2``)

WHIRLPOOL REFRIGERADOR GS2SHGXLQ01

ICE MAKER



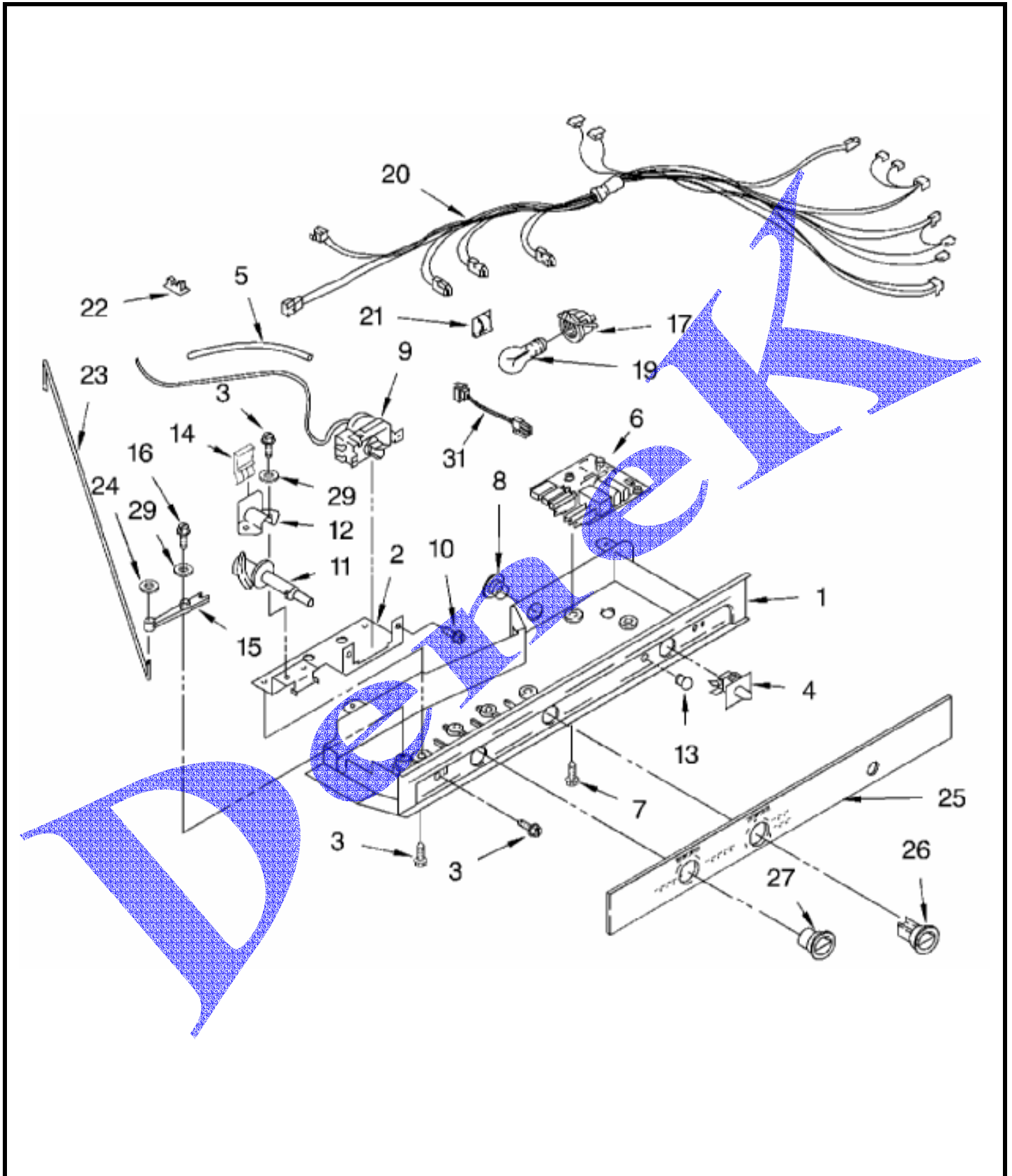
WHIRLPOOL REFRIGERADOR GS2SHGXLQ01

ICE MAKER

1	489084	Screw
2	2209774	Chute, Water
4	2255012	Tube, Filter Outlet
5	628379	Clip, Fuse
6	488208	Screw
7	2181943	Tube Water
8	2204881	Clip, Max-Ice
9	489478	Screw
10	2188622	Valve, Solenoid
12	2200202	Tube, Filter Inlet
16	489385	Clamp, Tube (Water Supply Line)
18	2219992	Acceler-Ice Assy.
19	488649	Screw
20	628228	Mold & Heater Assembly (Also Order 542638)
20	542638	Grease, Silicone (1/2 Oz.)
22	628356	Cup, Water Fill
23	2194711	Ejector
24	2182124	Ice Striper
25	2194712	Support
26	627796	Retainer, Thermostat
27	628397	Thermostat (Also Order 542369 Cement Alumilastic)
27	542369	Cement Alumilastic
28	489322	Screw
30	489276	Screw
31	2171593	Shut Off Arm
33	628320	Bracket
35	628399	Module Assembly (Includes Item 27)
37	628398	Motor
38	489136	Screw, 3-24 x 23/64
100	4317943	Icemaker, Complete Assembly

WHIRLPOOL REFRIGERADOR GS2SHGXLQ01

CONTROL, OPTIONAL



WHIRLPOOL REFRIGERADOR GS2SHGXLQ01

CONTROL, OPTIONAL

1	2216013	Control Box
2	1110629	Mounting Bracket
3	3196537	Screw
4	2149705	Light Switch
5	2196001	Thermostat, Barrier
6	2213489	Adaptive Defrost Control
7	489398	Screw (2)
8	940014	Hole Plug, Control Box
9	2198202	Thermostat
10	487869	Screw
11	2182195	Cam Assembly
12	1110560	Bearing Body
13	2200096	Cover, Indicator Light
14	2196062	Clip, Damper Control
15	1110559	Pivot Arm
16	627068	Screw
17	2162085	Socket, Light
19	527949	Light Bulb
20	2187598	Control Box Harness
21	1115374	Clip, Wiring
22	1115375	Clip, Wiring
23	1123960	Connecting Rod
24	489285	Fastener, Push-On
25	2212073	Escutcheon, Control Box
26	2182111	Thermostat knob
27	2197871	Knob, Air Control
29	489203	Spring Washer
31	511873	PAINT, TOUCH-UP (1/2oz.) (White Porcelain (2 Oz.))
31	72017	PAINT, TOUCH-UP (1/2oz.) (White)
31	606755	Bag, Insulation (36-5/8" x 46")
31	542638	Grease, Silicone (1/2 Oz.)
31	542639	PAINT, PRESSURIZED SPRAY (12 oz.) Miscellaneous (Cement, Alumilastic (1-1/4 Oz.))
31	4392899	PAINT, TOUCH-UP (1/2oz.) (Biscuit)
31	4392900	Enamel, Biscuit (1 Qt. Uncut)
31	2209779	Ice Container (Complete)
31	2213462	Harness, Indicator Light
31	350930	PAINT, PRESSURIZED SPRAY (12 oz.) (White)
31	350956	Enamel, Almond (13 Oz. Spray Can)
31	350939	PAINT, PRESSURIZED SPRAY (12 oz.) (Black)
31	350942	PAINT, PRESSURIZED SPRAY (12 oz.) (Primer, White)
31	4392901	PAINT, PRESSURIZED SPRAY (12 oz.) (Biscuit)
31	479502	Tape, Vinyl (3/4" x 108")
31	1117510	Torx Key
31	212643	Sealer, Gum (4 Feet)
31	505587	Sealer, Mastic (1 Qt.)
31	978883	Enamel, Almond (1 Qt. Uncut)
31	978941	Insulation, Fiberglass (63-1/2" x 35-1/2" x 2-5/8")

31 503695 Cork, Sealer (1/4 Pound)
PAINT, PRESSURIZED SPRAY (12 oz.) Miscellaneous (Kit, Evaporator Repair (Aluminum
31 799833 Epoxy))
31 72032 PAINT, PRESSURIZED SPRAY (12 oz.) PAINT, TOUCH-UP (1/2oz.) (Black)
31 72107 Brush Touch-Up Kit (White)
31 799344 PAINT, BULK (1 qt.) (White (Uncut))
31 799340 PAINT, BULK (1 qt.) (Black)
31 876305 Kit, Insulation (14 Pcs. 3`` x 24`` x 48``)
31 833938 Kit, Terminal Connector
31 876029 Kit, Foam Slab (30`` x 32-1/2`` x 1-1/2``)
31 876370 Kit, Insulation (2 Pcs. 3`` x 24 `` x 48``)