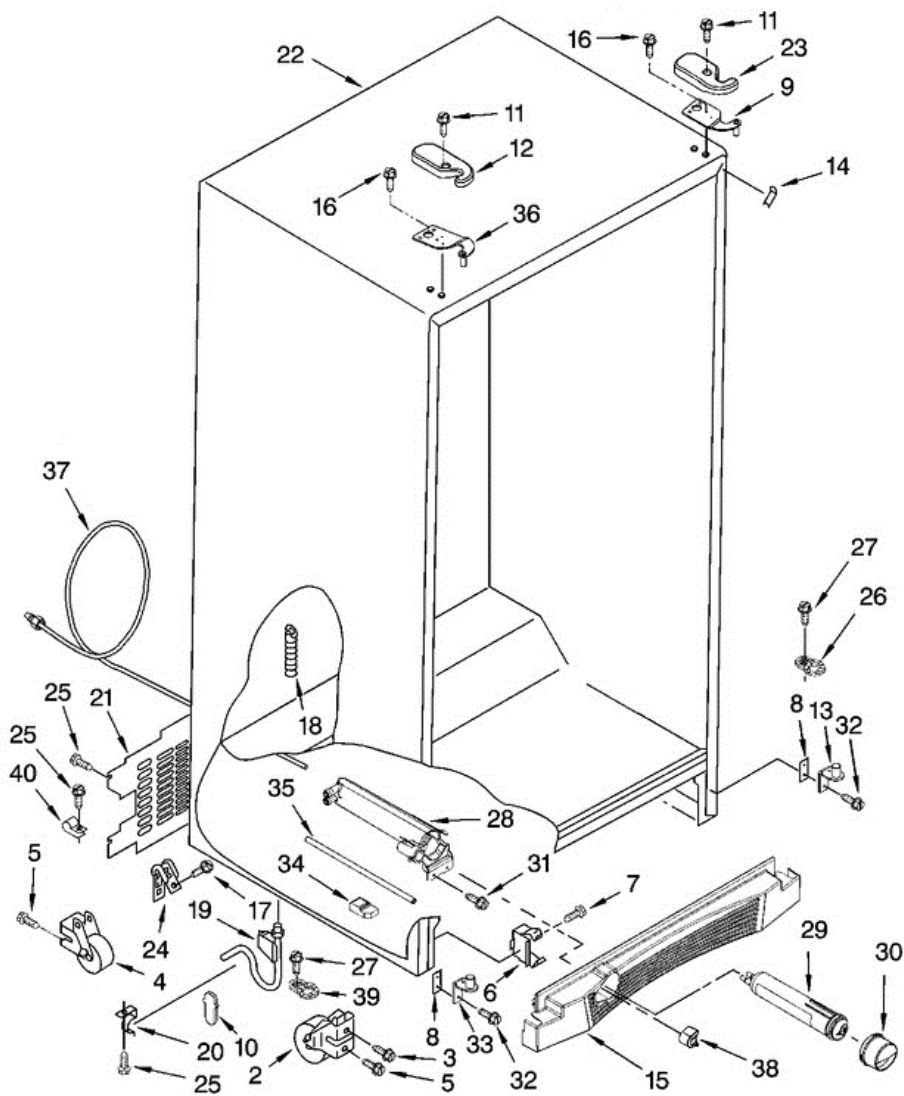


Distribuidor Autorizado

SurteRápido.com

Venta de Refacciones  
Electrodomesticas

## GS6NBEXRY01 CABINET



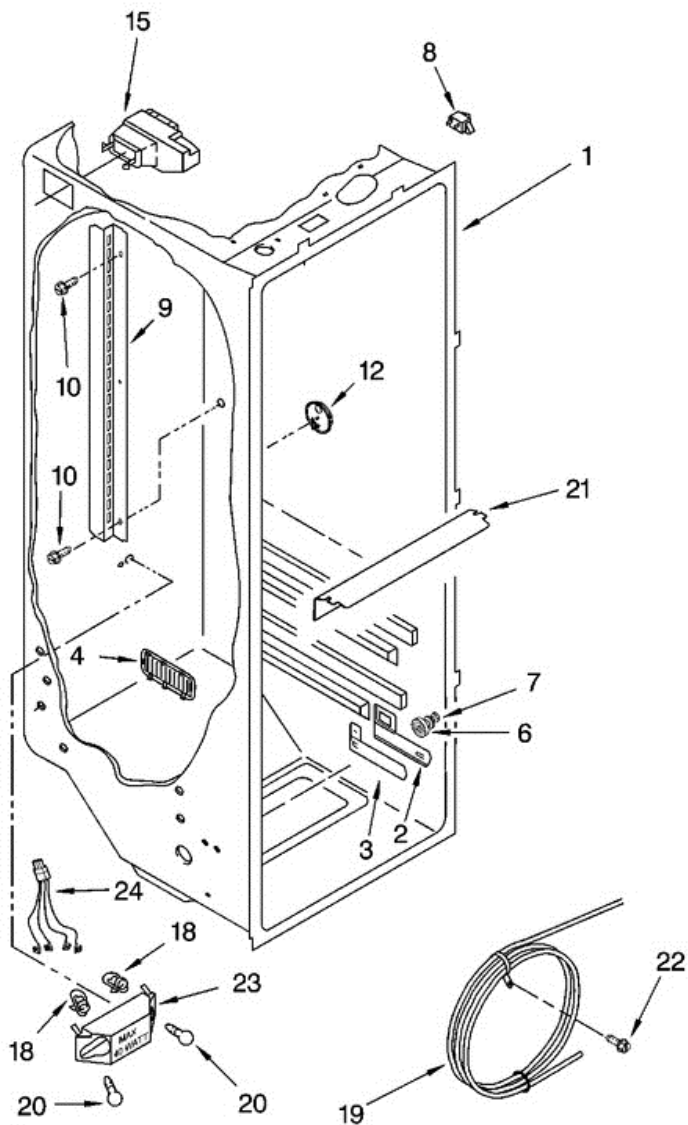


**GS6NBEXRY01 CABINET**

1	2220407	MODULAR ICEMAKER SERVICE SHEET
1	2303922	SERVICE SHEET
1	2303927	WIRING SHEET
1	2308394	INSTRUCTION SHEET, DOOR REMOVAL
1	2315060	ENERGY GUIDE
1	2318409	OWNER' S MANUAL
2	2174748	FRONT ROLLER (2)
3	3400517	SCREW
4	2196236	ROLLER (REAR) (2)
5	489427	SCREW
6	2155013	CLIP, GRILLE
7	489478	SCREW
8	2156056	SHIM
9	2203771	HINGE, TOP (RC)
10	2172957	FLAPPER, DRAIN EXTENSION
11	8281227	SCREW
12	2203407AP	HINGE COVER (APOLLO GRAY)
12	2203407B	HINGE COVER (BLACK)
12	2203407T	HINGE COVER (BISCUIT)
12	2203407W	HINGE COVER (WHITE)
13	2304322	BOTTOM HINGE (RC)
14	2196094	FILLER, WRAPPER (WHITE)
14	2196097	FILLER, WRAPPER (BLACK)
14	2196150	FILLER, WRAPPER (BISCUIT)
14	2315169	FILLER, WRAPPER (APOLLO GRAY)
15	2303494B	GRILLE (BLACK)
15	2303494T	GRILLE (BISCUIT)
15	2303494US	GRILLE (UNIVERSAL SILVER)
15	2303494W	GRILLE (WHITE)
16	489497	SCREW
17	489464	SCREW
18	940139	DRAIN FITTING
19	2172932	EXTENSION TUBE

20	1108439	CLIP, DRAIN TUBE
21	2188739	COVER, UNIT
22	****	CABINET, (NOT A SERVICEABLE PART)
23	2203408AP	HINGE COVER (APOLLO GRAY)
23	2203408B	HINGE COVER (BLACK)
23	2203408T	HINGE COVER (BISCUIT)
23	2203408W	HINGE COVER (WHITE)
24	549193	CLAMP, SERVICE CORD
25	489084	SCREW
26	2155311	DOOR CLOSER (RC)
27	489483	SCREW
28	2260507	HOUSING, WATER FILTER
29	4396841	WATER FILTER
30	2260502B	CAP, WATER FILTER (BLACK)
30	2260502T	CAP, WATER FILTER (BISCUIT)
30	2260502US	CAP, WATER FILTER (UNIVERSAL SILVER)
30	2260502W	CAP, WATER FILTER (WHITE)
31	489500	SCREW
32	3400113	SCREW
33	2303141	BOTTOM HINGE (FC)
34	2260519	BLOCK, HOUSING SUPPORT
35	2304708	TUBE, FILTER OUTLET
36	2203770	HINGE, TOP (FC)
37	2305220	TUBE, FILTER INLET
38	2260503B	BUTTON, WATER FILTER (BLACK)
38	2260503T	BUTTON, WATER FILTER (BISCUIT)
38	2260503US	BUTTON, WATER FILTER (UNIVERSAL SILVER)
38	2260503W	BUTTON, WATER FILTER (WHITE)
39	2223751	DOOR CLOSER, (FC)
40	2305373	CLAMP, CORD

## GS6NBEXRY01 REFRIGERATOR LINER

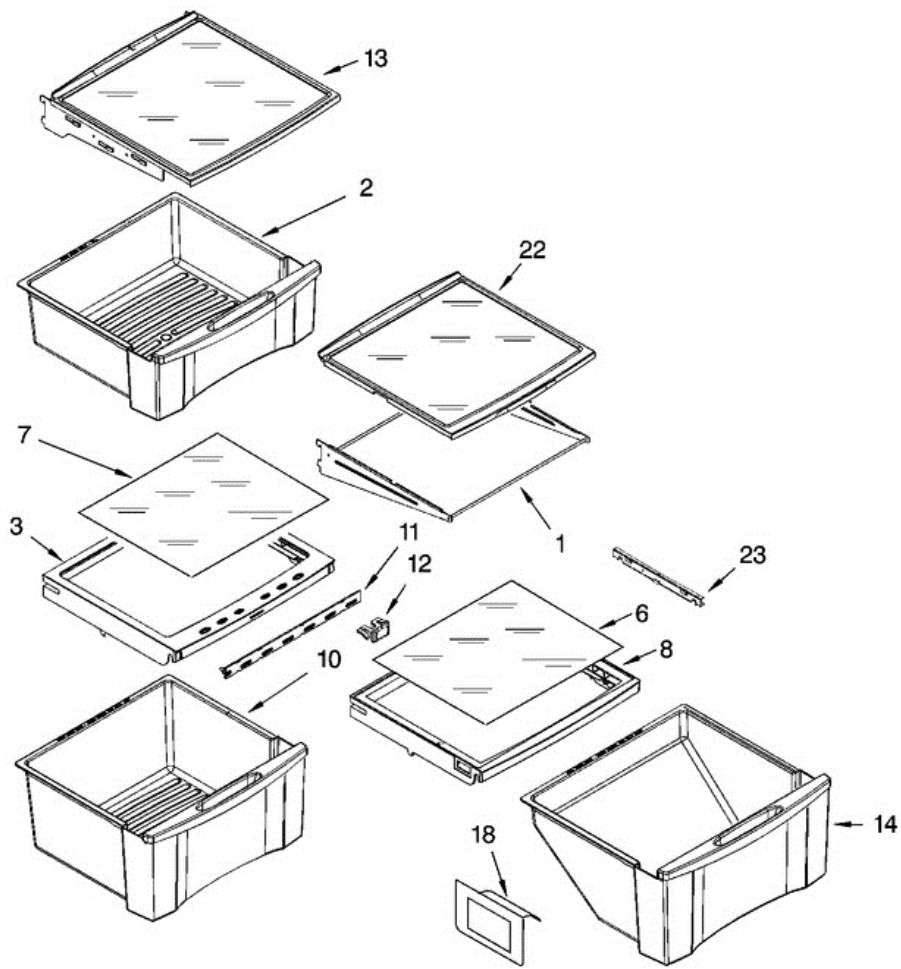




## GS6NBEXRY01 REFRIGERATOR LINER

1	****	LINER (NOT A SERVICEABLE PART)
2	2194744	ESCUTCHEON, MEAT PAN CONTROL
3	2182757	SLIDE MEAT PAN CONTROL
4	2257741	LOUVER
6	2196485	STUD ASSEMBLY
7	3400894	SCREW
8	1118894	SWITCH, ROCKER ARM
9	2206273	SHELF LADDER
10	489478	SCREW
12	2261601	DOOR CONTROL ASM
15	2209753	AIR DIFFUSER ASSEMBLY
18	2162085	SOCKET
19	2305226	RESERVOIR
20	2255743	LIGHT BULB
21	2209769	LIGHT LENS
22	488280	SCREW
23	2256035	BRACKET, DUAL CRISPER
24	2256037	WIRE HARNESS, DUAL CRISPER

**GS6NBEXRY01 REFRIGERATOR  
SHELF**

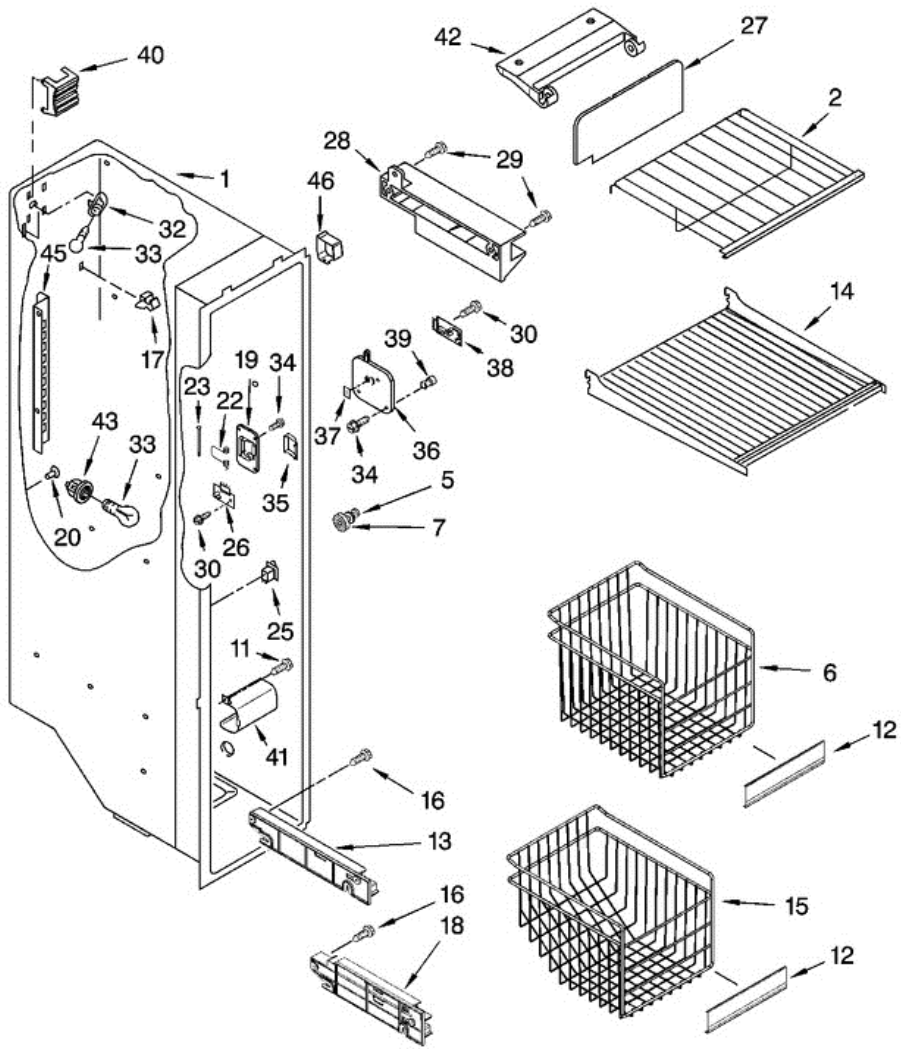




## GS6NBEXRY01 REFRIGERATOR SHELF

1	2223517	FRAME ASSEMBLY (2)
2	2223261	SNACK BIN ASM
3	2223592	COVER, CRISPER
6	2223714	GLASS, MEAT COVER
7	2223591	GLASS, COVER
8	2223242	COVER, MEAT PAN
10	2223235	CRISPER PAN ASM
11	2223308	SLIDE, HUMIDITY CONTROL
12	2223309	KNOB, HUMIDITY CONTROL
13	2223288	SHELF PAN ASSEMBLY
14	2223243	MEAT PAN ASSEMBLY
18	2179350	DEFLECTOR
22	2255160	SHELF, SLIDE OUT (2)
23	2223320	SLIDE, PAN

**GS6NBEXRY01 FREEZER LINER**





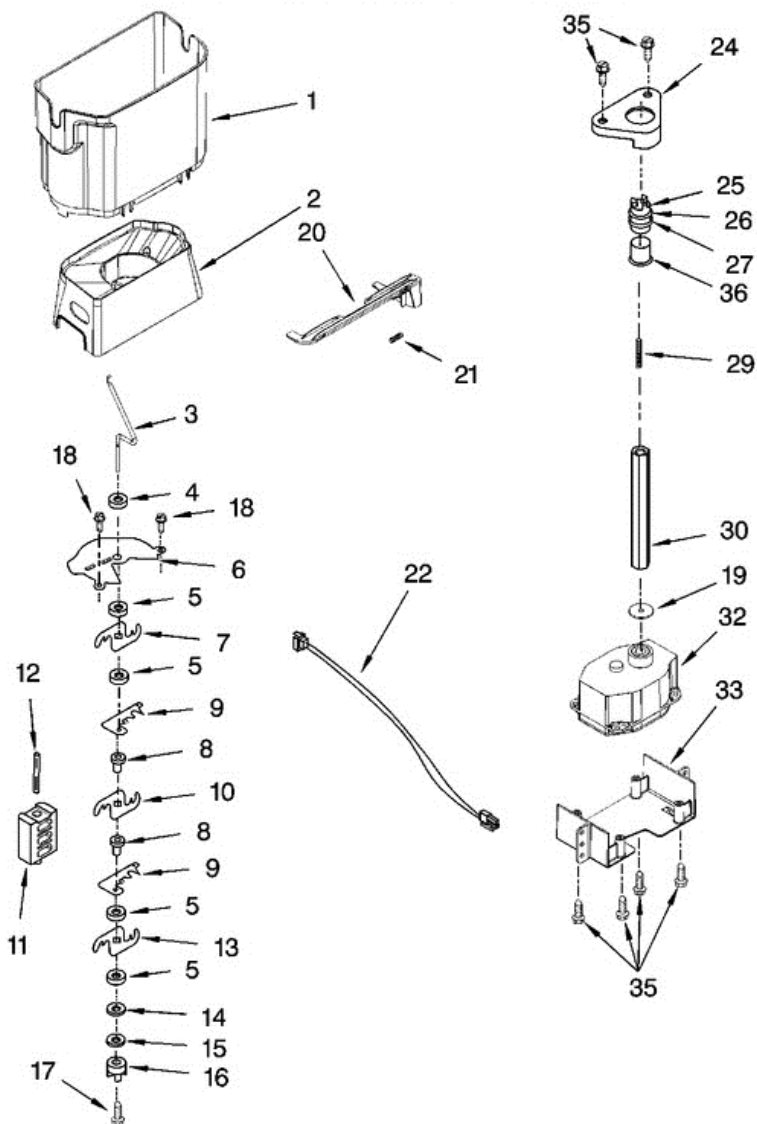


## GS6NBEXRY01 FREEZER LINER

1	****	LINER (NOT A SEVICEABLE PART)
2	2211746K	SHELF, SLIDE OUT
5	2196483	STUD ASSEMBLY
6	2301191	BASKET, TALL
7	8281158	SCREW
11	3400893	SCREW
12	2195905K	TRIM, BASKET
13	2301289	SHELF TRACK (RIGHT SIDE)
13	2301290	SHELF TRACK (LEFT SIDE)
14	2205837K	SHELF (2)
15	2301190	BASKET, SLOPED
16	486298	SCREW (8)
17	842534	CLIP, AIR DUCT (2)
18	2301293	SHELF TRACK, DUAL (RIGHT SIDE)
18	2301294	SHELF TRACK, DUAL (LEFT SIDE)
19	2255572	COVER, EMITTER
20	941839	HOLE PLUG
22	2198635	SPRING
23	2198634	PIN
25	1115373	SWITCH, ROCKER ARM
26	2220398	P.C. BOARD EMITTER
27	2255588	COVER, ICE MAKER
28	2212321	SLIDE, ICE MAKER MOUNTING
29	489478	SCREW
30	489214	SCREW
32	2162085	LIGHT SOCKET
33	2255743	LIGHT BULB
34	8281185	SCREW
35	2198633	FLIPPER
36	2255558	COVER, RECEIVER
37	2255562	SLIDE, ICE MAKER SHUT OFF
38	2255114	P.C. BOARD, RECEIVER
39	2198643	LENS

40	2198589	LIGHT SHIELD
41	2212340	LIGHT LENS
42	2198641	BRACKET, ICEMAKER COVER
43	2155597	SOCKET, LIGHT
45	2198609	LADDER (LEFT SIDE)
45	2198610	LADDER (RIGHT SIDE)
46	2303234	SHIELD, WIRING

**GS6NBEXRY01 MOTOR AND ICE  
 CONTAINER**

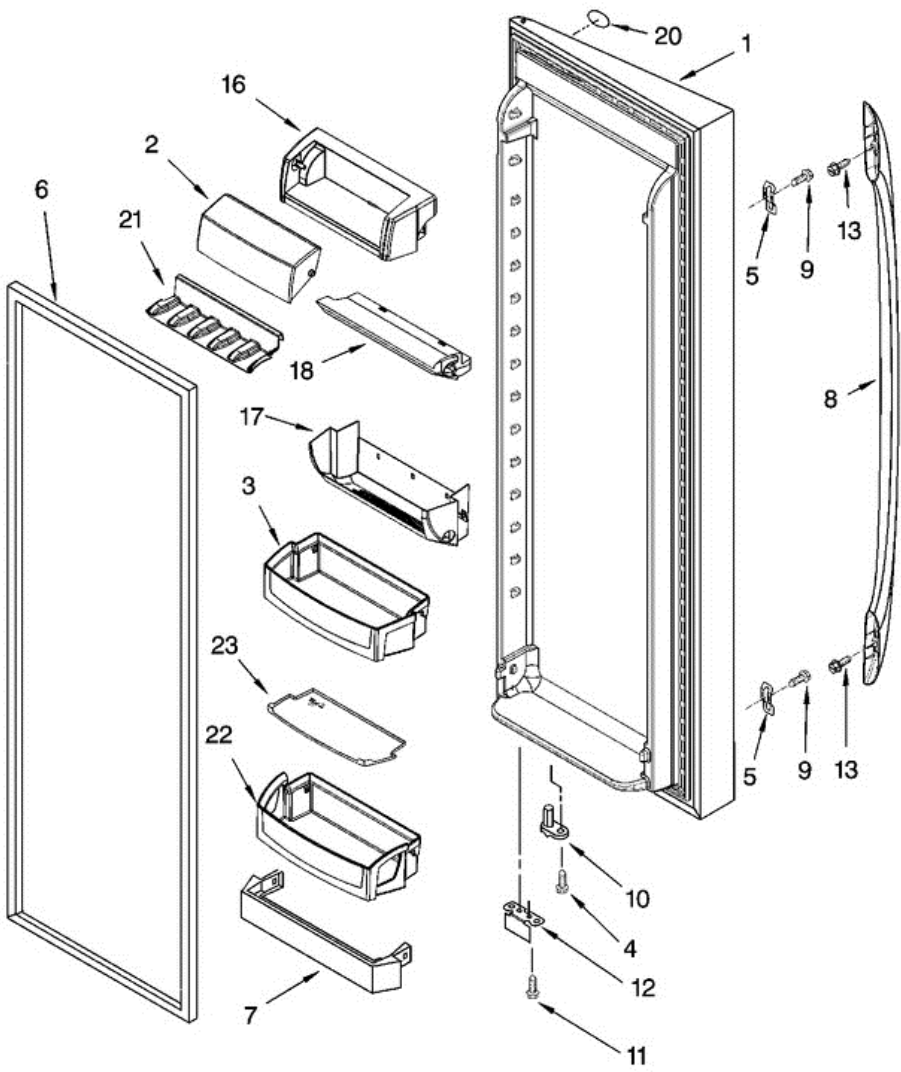




## GS6NBEXRY01 MOTOR AND ICE CONTAINER

1	2305336	ICE BIN
2	2305206	CRUSHER BIN
3	2258222	AUGER
4	2258220	WASHER, AUGER
5	1119007	SPACER, FLAT (4)
6	2305244	COVER, CRUSHER
7	2257024	BLADE, ROTARY
8	1119005	SPACER, STEP (2)
9	2257020	BLADE, FIXED
10	2257023	BLADE, ROTARY
11	2198602	BLOCK, BLADE
12	489229	ROLL PIN
13	2257022	BLADE, ROTARY
14	489235	WASHER, PLAIN
15	2198661	WASHER, COUPLING
16	2220457	COUPLING
17	8281164	SCREW
18	3400065	SCREW
19	2305382	RUBBER BOOT
20	2305443	LATCH, BIN
21	2198608	SPRING, LATCH
22	2187813	WIRE ASSEMBLY, IDI MOTOR
24	2212369	HOLDER
25	2220458	COUPLING, BOTTOM
26	2198628	SEAL
27	2212370	WASHER
29	2198607	SPRING
30	2305243	DRIVE SHAFT
32	2252130	DISPENSER, MOTOR
33	2305208	BRACKET, MOTOR
35	8281163	SCREW
36	2212365	SLEEVE, COUPLING
100	2305444	ICE CONTAINER (COMPLETE)

**GS6NBEXRY01 REFRIGERATOR DOOR**

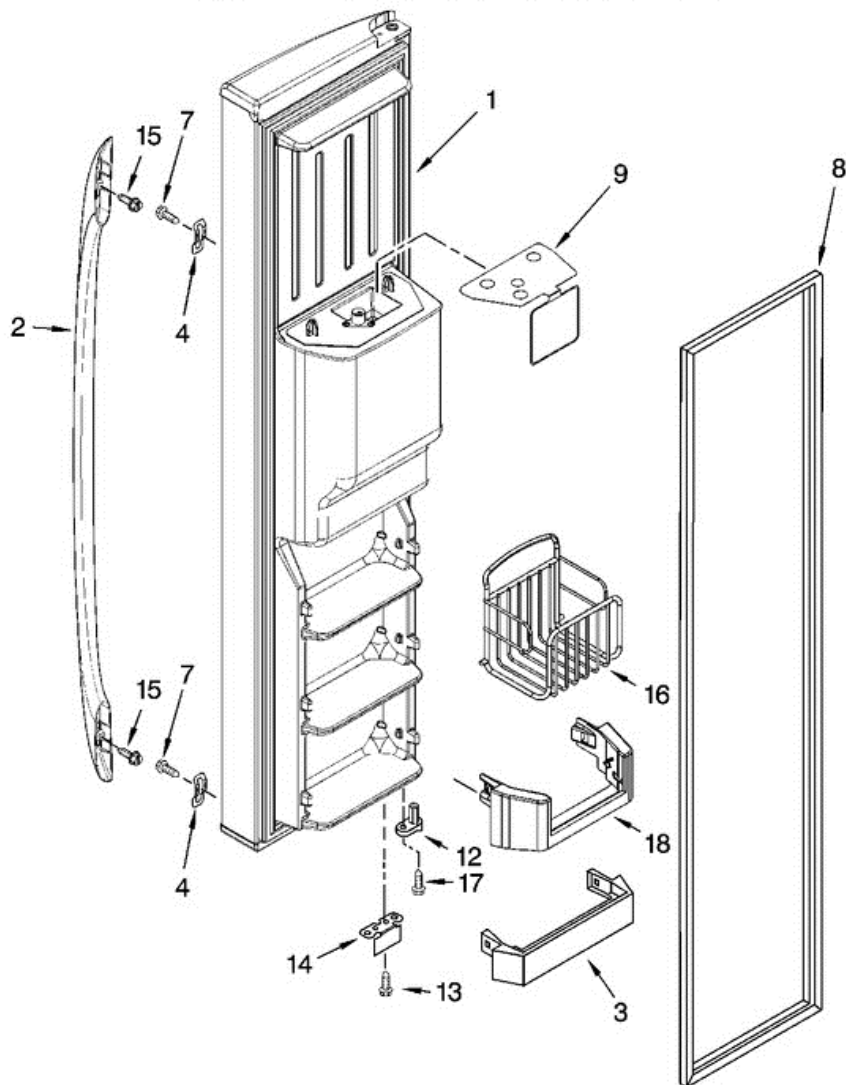




## GS6NBEXRY01 REFRIGERATOR DOOR

1	2255535B	REFRIGERATOR DOOR (INCL 6) (BLACK)
1	2255535LAP	REF. DOOR (INCL 6) (MONOCHROMATIC SATINA)
1	2255535LB	REFRIGERATOR DOOR (INCL 6) (STAINLESS-VCM)
1	2255535SAP	REF. DOOR (INCL 6) (MONOCHROMATIC STAINLESS)
1	2255535SB	REFRIGERATOR DOOR (INCL 6) (STAINLESS STEEL)
1	2255535T	REFRIGERATOR DOOR (INCLUDES ITEM 6) (BISCUIT)
1	2255535W	REFRIGERATOR DOOR (INCLUDES ITEM 6) (WHITE)
2	2255421	DAIRY DOOR
3	2223239K	DOOR BIN (2)
4	3400012	SCREW
5	2255411	CLIP
6	2221302	DOOR GASKET, MAGNETIC (MIST BEIGE)
6	2221313	DOOR GASKET, MAGNETIC (BLACK)
7	2223727	TRIVET
8	2313351B	HANDLE (BLACK)
8	2313351T	HANDLE (BISCUIT)
8	2313351US	HANDLE (UNIVERSAL SILVER)
8	2313351W	HANDLE (WHITE)
9	489491	SCREW
10	2182178	DOOR CLOSER, UPPER CAM
11	489420	SCREW
12	2200082	BRACKET, DOOR STOP (CHROME)
12	2200082B	BRACKET, DOOR STOP (BLACK)
13	8533920	SCREW
16	2255420	DOOR COMPARTMENT
17	2255422	FRAME, CAN RACK
18	2255424	AIR DIFFUSER ASM
20	2220214	NAMEPLATE
21	2255423	FLOOR, CAN RACK
22	2223463K	DOOR BIN
23	2223464K	MAT, BIN
23	2315057K	WATER BOTTLE

**GS6NBEXRY01 FREEZER DOOR**



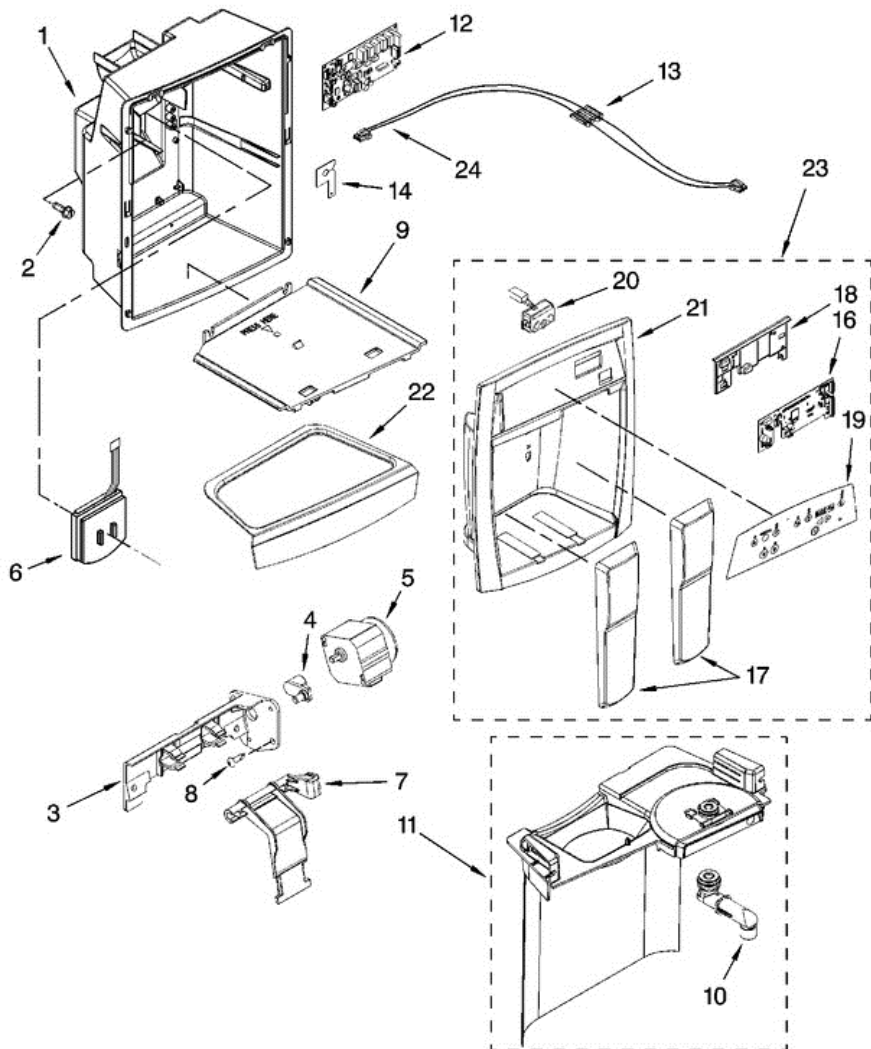


## GS6NBEXRY01 FREEZER DOOR

1	2303161B	FREEZER DOOR (INCL 8) (BLACK)
1	2303161LA	FREEZER DOOR (INCL 8) (MONOCHROMATIC SATINA)
1	2303161LB	FREEZER DOOR (INCL 8) (STAINLESS VCM)
1	2303161SA	FRZ. DOOR (INCL 8) (MONOCHROMATIC STAINLESS)
1	2303161SB	FREEZER DOOR (INCL 8) (STAINLESS STEEL)
1	2303161T	FREEZER DOOR (INCL 8) (BISCUIT)
1	2303161W	FREEZER DOOR (INCL 8) (WHITE)
2	2313351B	HANDLE (BLACK)
2	2313351T	HANDLE (BISCUIT)
2	2313351US	HANDLE (UNIVERSAL SILVER)
2	2313351W	HANDLE (WHITE)
3	2171157K	TRIVET
4	2255411	CLIP
7	489491	SCREW
8	2221303	DOOR GASKET, MAGNETIC (MIST BEIGE)
8	2221314	DOOR GASKET, MAGNETIC (BLACK)
9	2305474	SAFETY BARRIER
12	2223752	DOOR CLOSER, UPPER CAM
13	489420	SCREW
14	2303113	BRACKET, DOOR STOP (CHROME)
14	2303113B	BRACKET, DOOR STOP (BLACK)
15	8533920	SCREW
16	2304309	BASKET, TILT-OUT (2)
17	3400012	SCREW
18	****	FOLLOWING PARTS NOT ILLUSTRATED
18	2223334	TRIVET, TILT-OUT (2)
18	2305228	TUBE, WATER DISPENSER
18	2310019	WIRE ASSEMBLY, FREEZER DOOR



**GS6NBEXRY01 DISPENSER FRONT**



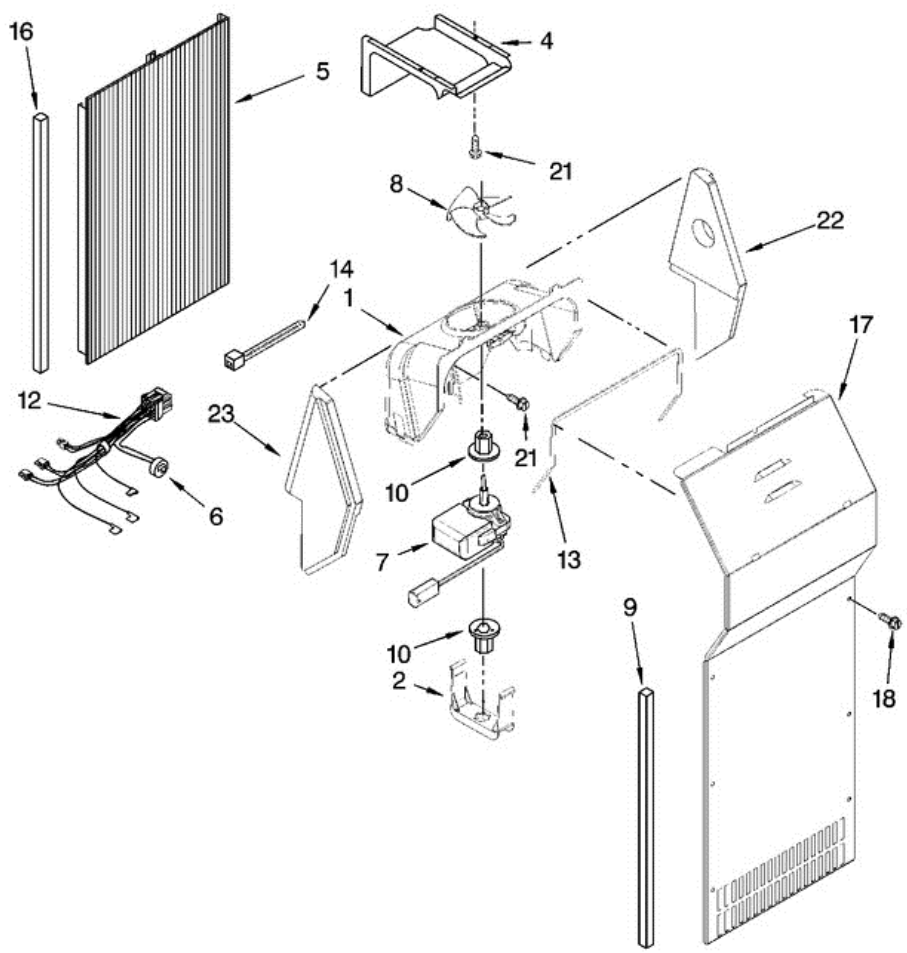


## GS6NBEXRY01 DISPENSER FRONT

1	****	HOUSING DISPENSER (NOT SERVICED)
2	939101	SCREW (4)
3	2305202	BRACKET, MOTOR
4	2305242	CONNECTOR, DOOR BRACKET
5	2305262	MOTOR, ICE DOOR
6	2305258	DOOR, ICE
7	2305204	SUPPORT, ICE DOOR
8	4449745	SCREW (2)
9	2305213AP	GRILLE, SLIDE (APOLLO GRAY)
9	2305213B	GRILLE, SLIDE (BLACK)
9	2305213T	GRILLE, SLIDE (BISCUIT)
9	2305213W	GRILLE, SLIDE (WHITE)
10	2305236	SPIGOT
11	2305458AP	SEPARATOR ASSEMBLY (APOLLO GRAY)
11	2305458B	SEPARATOR ASSEMBLY (BLACK)
11	2305458T	SEPARATOR ASSEMBLY (BISCUIT)
11	2305458W	SEPARATOR ASSEMBLY (WHITE)
12	2303843	ELECTRONIC CONTROL (CORE)
13	2308165	FERRITE BEAD
14	2305447	CLIP, WIRING
16	2304163	ELECTRONIC CONTROL (USER INTERFACE)
17	2305247CG	PAD, ICE & WATER (FOR WHITE MODEL)
17	2305247GM	PAD, ICE & WATER (FOR BLACK, STAINLESS, AND STAINLESS VCM MODELS)
17	2305247MG	PAD, ICE & WATER (FOR MONOCHROMATIC STAINLESS AND MONOCHROMATIC SATINA MODELS)
17	2305247WL	PAD, ICE & WATER (FOR BISCUIT MODEL)
18	2305219	COVER, ELECTRONIC CONTROL
19	****	OVERLAY, FRONT COVER (ORDER 23)
20	2303841	LED ASSEMBLY
21	*****	FRONT COVER, HOUSING (ORDER 23)
22	2305253B	TRAY, HOUSING (BLACK)
22	2305253T	TRAY, HOUSING (BISCUIT)
22	2305253US	TRAY, HOUSING (UNIVERSAL SILVER)

22	2305253W	TRAY, HOUSING (WHITE)
23	2305257B	FRONT COVER ASSY (INCL 16, 17, 18, 19, 20, & 21) (BLACK)
23	2305257T	FRONT COVER ASSY (INCL 16, 17, 18, 19, 20, & 21) (BISCUIT)
23	2305257US	FRONT COVER ASSY (INCL 16, 17, 18, 19, 20, & 21) (UNIVERSAL SILVER)
23	2305257W	FRONT COVER ASSY (INCL 16, 17, 18, 19, 20, & 21) (WHITE)
24	2187814	WIRE ASSEMBLY, USER INTERFACE

**GS6NBEXRY01 AIR FLOW**

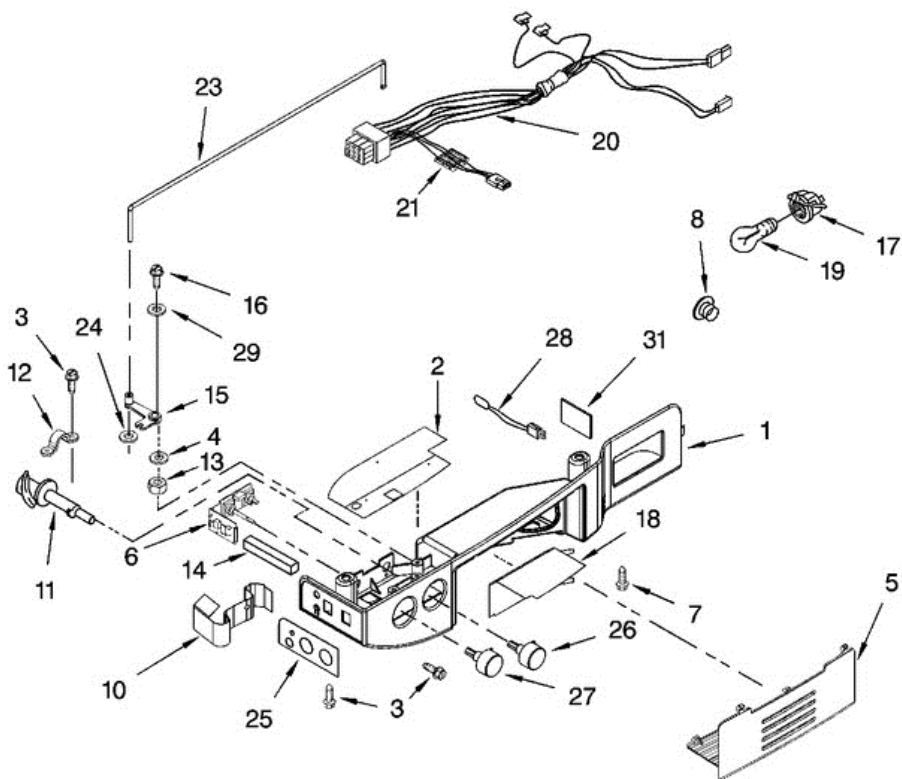




## GS6NBEXRY01 AIR FLOW

1	2182120	FAN SCROLL
2	2155590	RETAINER, FAN MOTOR
4	2313359	AIR DUCT, UPPER
5	2198580	AIR DUCT FREEZER
6	2188824	BI-METAL, DEFROST
7	2220569	FAN MOTOR
8	2169142	FAN BLADE
9	2304241	GASKET, EVAPORATOR COVER (2)
10	2176759	FAN GROMMET (2)
12	2310111	HARNESS, FAN EVAPORATOR (INCLUDES 6)
13	2155789	GASKET, FAN SCROLL
14	2172840	STRAP
16	2203876	GASKET
17	2206314	COVER, EVAPORATOR (INCLUDES 9)
18	8281159	SCREW (6)
21	489478	SCREW
22	2203595	SUPPORT, R.S
23	2203596	SUPPORT, L.S

**GS6NBEXRY01 CONTROL**





**GS6NBEXRY01 CONTROL**

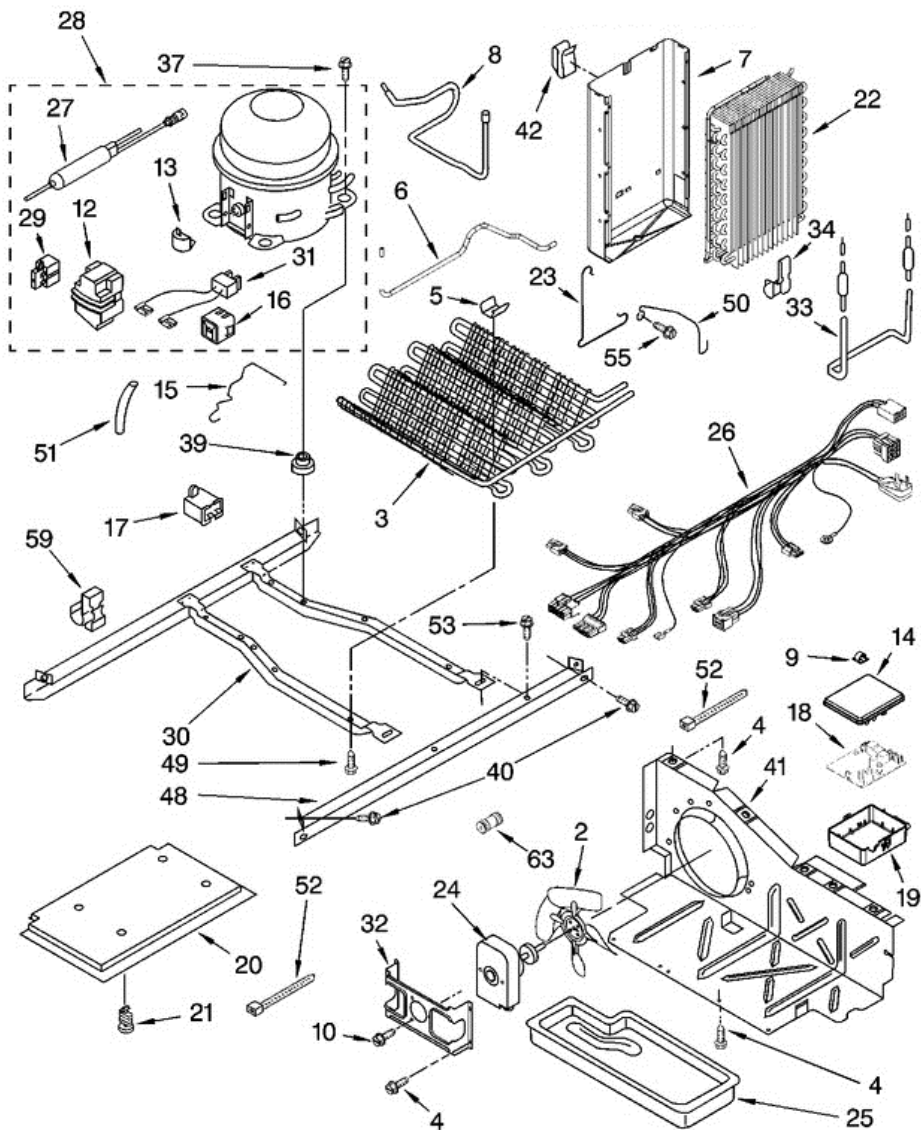
1	2255222	CONTROL BOX
2	2261773	SHIELD
3	3196537	SCREW (4)
4	3400972	WASHER
5	2255225	LENS, LIGHT
6	2304103	ELECTRONIC CONTROL
7	489084	SCREW (2)
8	940014	HOLE PLUG
10	2305538	SHIELD, ELECTRICAL (INTERNAL)
11	2255226	CAM ASSEMBLY
12	2255413	BEARING BODY
13	3400971	NUT, HEX
14	2188928	FOAM, SHIELD
15	2255227	PIVOT ARM
16	627068	SCREW
17	2162085	LIGHT SOCKET
18	2255666	SHIELD, HEAT
19	2255743	LIGHT BULB
20	2187965	CONTROL BOX HARNESS (INCLUDES 21)
21	2308165	FERRITE BEAD
23	2255228	CONNECTING ROD
24	489285	FASTENER, PUSH-ON
25	2255611	ESCUTCHEON, CONTROL BOX
26	2255232	KNOB, RC
27	2255992	KNOB, FC
28	2188819	THERMISTOR
29	489203	SPRING WASHER
31	2261265	AIR SEAL, THERMISTOR

Distribuidor Autorizado

SurteRápido.com

Venta de Refacciones  
Electrodomesticas

GS6NBEXRY01 UNIT





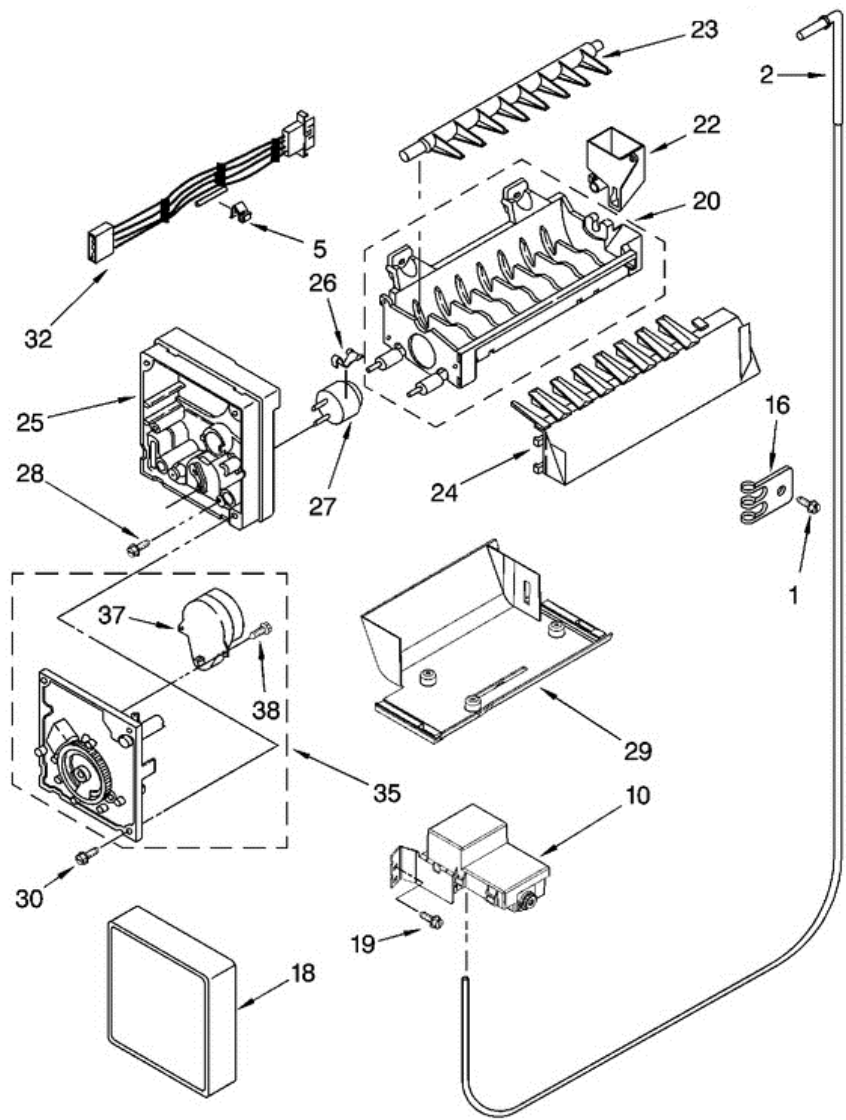


## GS6NBEXRY01 UNIT

2	2225834	FAN, BLADE
3	2223953	CONDENSER ASSEMBLY
4	489464	SCREW
5	2216914	CLIP, CONDENSER
6	2261599	TUBE, CONDENSER TO HEAT LOOP
7	2304289	HEAT SHIELD AND DRAIN PAN
8	2205765	TUBE SUCTION
9	1115374	CLIP, WIRING
10	8533993	SCREW
12	4387731	COVER (SERVICE ONLY)
13	2154697	OVERLOAD, (SERVICE ONLY)
14	2255624	COVER
15	2255199	CLIP, RETAINING
16	2255198	START-DEVICE, COMBINATION
17	1118576	CAPACITOR (SERVICE)
17	2169373	CAPACITOR (PRODUCTION)
18	2304095	ELECTRONIC CONTROL
19	2255623	CONTROL BOX
20	2206281	UNIT COVER, BOTTOM
21	489396	CLIP
22	2188823	EVAPORATOR
23	2161324	CLIP
24	2188874	MOTOR, FAN
25	1105523	TRAY, EVAPORATOR
26	2187817	HARNESS, UNIT
27	2199167	DRIER (PRODUCTION)
27	4387019	DRIER (SERVICE)
28	2255197	COMPRESSOR
29	2183454	RELAY (SERVICE ONLY)
30	2157397	UNIT MOUNTING FRAME
31	4387765	WIRE, CAPACITOR (SERVICE ONLY)
32	2181929	BRACKET, FAN MOTOR
33	2188175	HEATER, DEFROST

34	2304287	CLIP, HEATER
37	489373	SCREW
39	1100826	GROMMET (4) (PRODUCTION)
39	4387558	GROMMET (4) (SERVICE)
40	489340	SCREW
41	2196202	AIR BAFFLE
42	2155547	CLIP, HEAT
48	2305374	UNIT MOUNTING RAIL
49	8281232	SCREW
50	2260517	GUARD, FAN
51	2161302	SLEEVE
52	2172840	WIRE TIE
53	489427	SCREW
55	489478	SCREW
59	2261316	CLIP, WIRE & TUBE
63	****	REFRIGERANT CHARGE 5.0 OZ. (R-134A)
63	2305227	UNION
63	876764	VALVE, ACCESS (3/16``)
63	978025	VALVE, ACCESS (1/4``)
63	978026	VALVE, ACCESS (5/16``)
63	978027	VALVE, ACCESS (3/8``)
63	978028	VALVE, ACCESS (1/2``)
63	978029	VALVE, ACCESS (5/8``)
63	978030	VALVE, ACCESS (3/4``)

**GS6NBEXRY01 ICE MAKER**





## GS6NBEXRY01 ICE MAKER

1	489084	SCREW
2	2256096	FITTING, WATER TUBE
5	628379	CLIP, FUSE
10	2305225	SMART VALVE
16	2305274	CLIP, TUBE
18	2174358	COVER
19	488649	SCREW
20	628228	MOLD & HEATER ASSEMBLY
22	628356	BEARING & INLET
23	627843	EJECTOR
24	2198598	ICE STRIPPER
25	2194712	SUPPORT
26	627796	RETAINER, THERMOSTAT
27	627985	THERMOSTAT (ORD 542369 CEMENT ALUMILASTIC)
28	8533917	SCREW
29	2303583	BRACKET, ICEMAKER MOUNTING
30	489276	SCREW
32	2187467	HARNESS, WIRING
35	626678	MODULE ASSEMBLY
37	626676	MOTOR
38	489136	SCREW
100	2198597	COMPLETE ICEMAKER ASSEMBLY