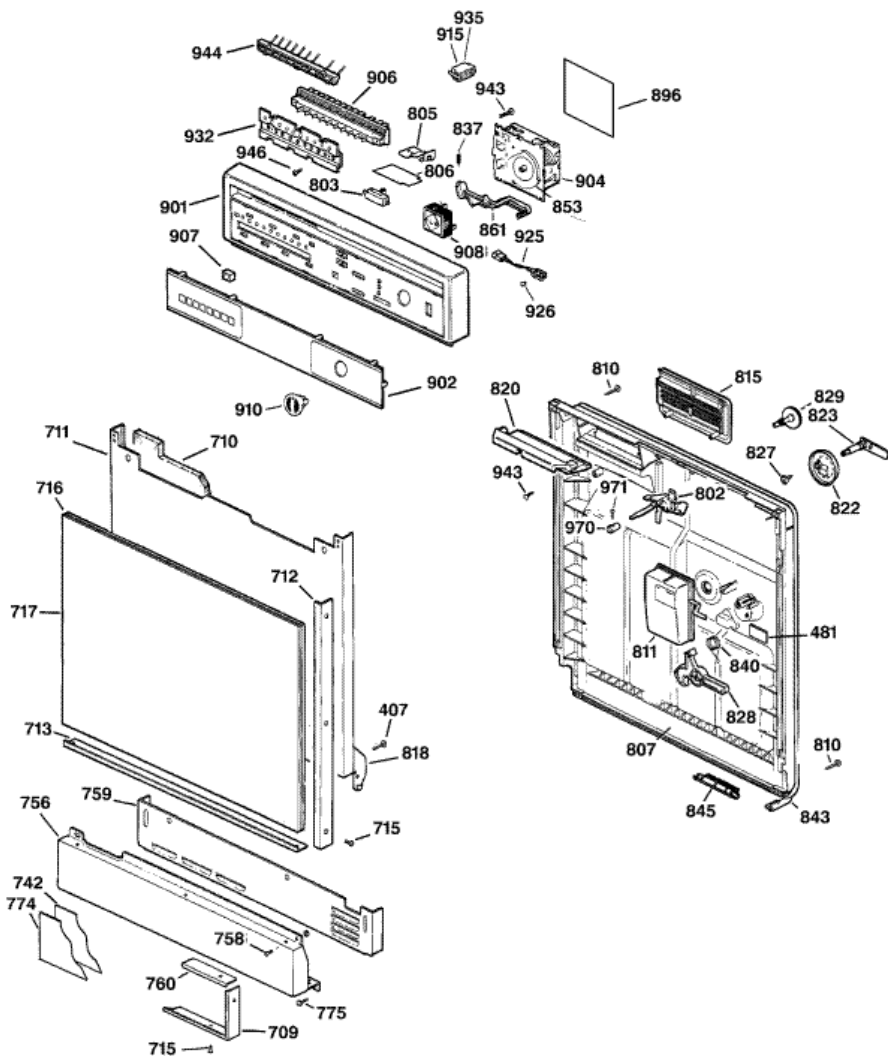


Distribuidor Autorizado

SurteRápido.com

Venta de Refacciones
Electrodomesticas

GSC1200X02 TABLERO





GSC1200X02 TABLERO

407	WD3M62	SCREW HINGE (S/P)
481	WD1X1348	DEFLECTOR (S/P)
678	WZ5X219	SCREW (S/P)
709	WD34X976	TRIM ACCESS NAR BK (S/P)
710	WD1X1463	INSULATION (S/P)
711	WD27M269	DOOR ASM OUTER (S/P)
712	WD34X961	TRIM DOOR SIDE NAR BK (S/P)
713	WD34X966	TRIM DOOR BTM NAR BK (S/P)
715	WD3M68	SCREW (S/P)
716	WD1X1356	INSULATOR (S/P)
717	WD27X497	DESCONTINUADO
717	WD27X498	INSERT DR PNL BK/HA (S/P)
742	WD1X1393	INSULATOR (S/P)
755	WZ4X44	DESCONTINUADO
756	WD27M253	PANEL ACCESS (S/P)
758	WD2X323	DESCONTINUADO
759	WD27M255	TOEKICK ASM (S/P)
760	WD34X971	TRIM ACCESS TOP NAR BK (S/P)
774	WD27X520	INSERT SERV PANEL AD/WH (S/P)
774	WD27X523	INSERT SERV PNL BK/HA (S/P)
775	WD2X5166	SCR 10-16X1/2 AB HXW S (S/P)
802	WD13X71	LATCH ASM (S/P)
803	WD21X557	DESCONTINUADO
805	WD1X1363	SWITCH LEAF ASM (S/P)
806	WD12X370	SHIELD SWITCH (S/P)
807	WD31M65	DOOR INNER (S/P)
810	WD2X322	SCR 8-18X7/8 BT (S/P)
811	WD12X398	RINSE AID INJ ASM (S/P)
815	WD12X328	VENT ASM (S/P)
818	WD14M5	ARM HINGE LH (S/P)
818	WD14M4	ARM HINGE RH (S/P)
820	WD1X1467	VENT PAD (S/P)
822	WD16X297	COVER DETERGENT CUP (S/P)

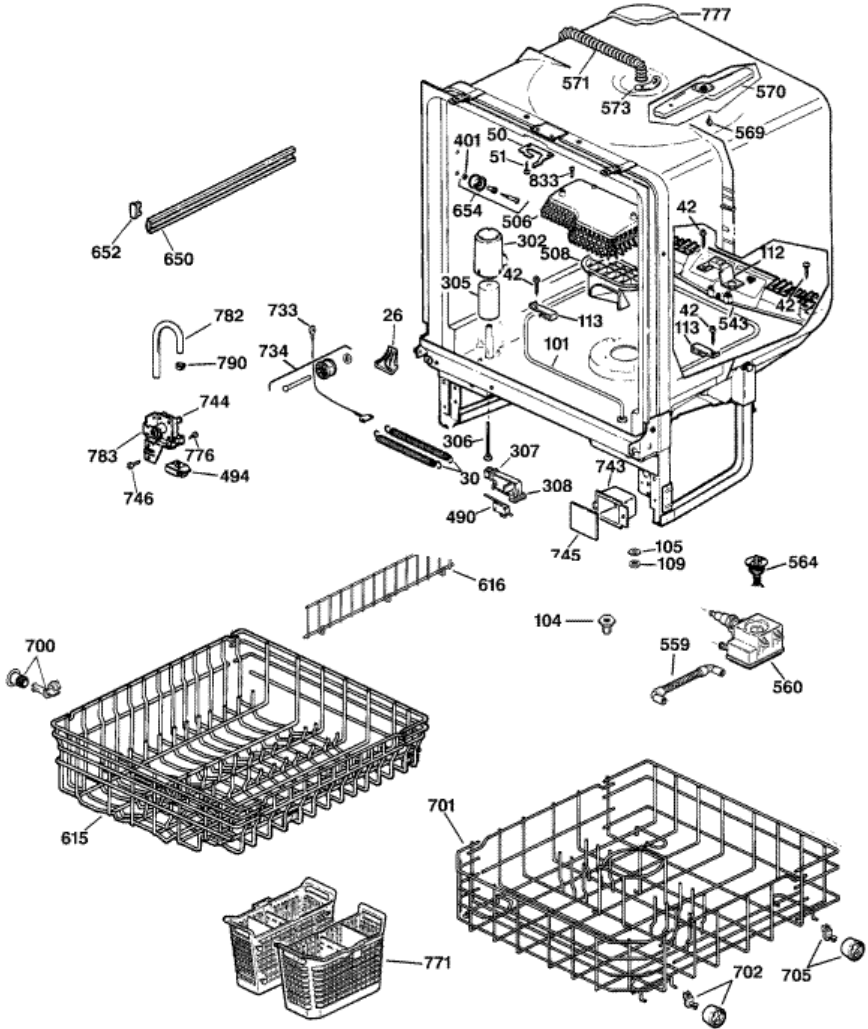
823	WD16X313	SHAFT/HANDLE DET CUP (S/P)
827	WD2X425	SCR 10-12X1/2 AC PNR S (S/P)
828	WD16X292	DESCONTINUADO
829	WD12X409	RINSE AID DISP ASM (S/P)
837	WD3X749	DESCONTINUADO
840	WD3X764	DETERGENT TRIP SPRING (S/P)
843	WD8X229	GASKET DOOR TM (S/P)
845	WD8X10015	GASKET INSERT (S/P)
853	WD16X309	CAM TIMER (S/P)
861	WD12X324	DESCONTINUADO
896	WD12X429	SHIELD TIMER (S/P)
901	WD34X1198	ESCUTCHEON (S/P)
902	WD34X1200	FILM APPEARANCE (S/P)
904	WD21X777	TIMER (S/P)
906	WD21X725	SWITCH PUSHBUTTON (S/P)
907	WD9X350	PUSHBUTTON (S/P)
908	WD21X774	SWITCH, CYCLE EXTENDER (S/P)
910	WD9X349	KNOB TIMER (S/P)
915	WD2M178	HOUSING TERMINAL (BLACK) (S/P)
925	WD6X240	LIGHT PILOT ASM (S/P)
926	WD1X1445	LENS (CLEAR) (S/P)
932	WD2M190	BRACKET SWITCH (S/P)
935	WH1M937	TERMINAL SPECIAL (S/P)
943	WZ5X219	SCREW (S/P)
944	WD6X235	LAMP ASM (S/P)
946	WD2X442	SCREW (S/P)
970	WD9X351	KNOB, LATCH HANDLE (S/P)
971	WZ2X45	SCREW LATCH KNOB (S/P)

Distribuidor Autorizado

SurteRápido.com

Venta de Refacciones
Electrodomesticas

GSC1200X02 REJILLAS



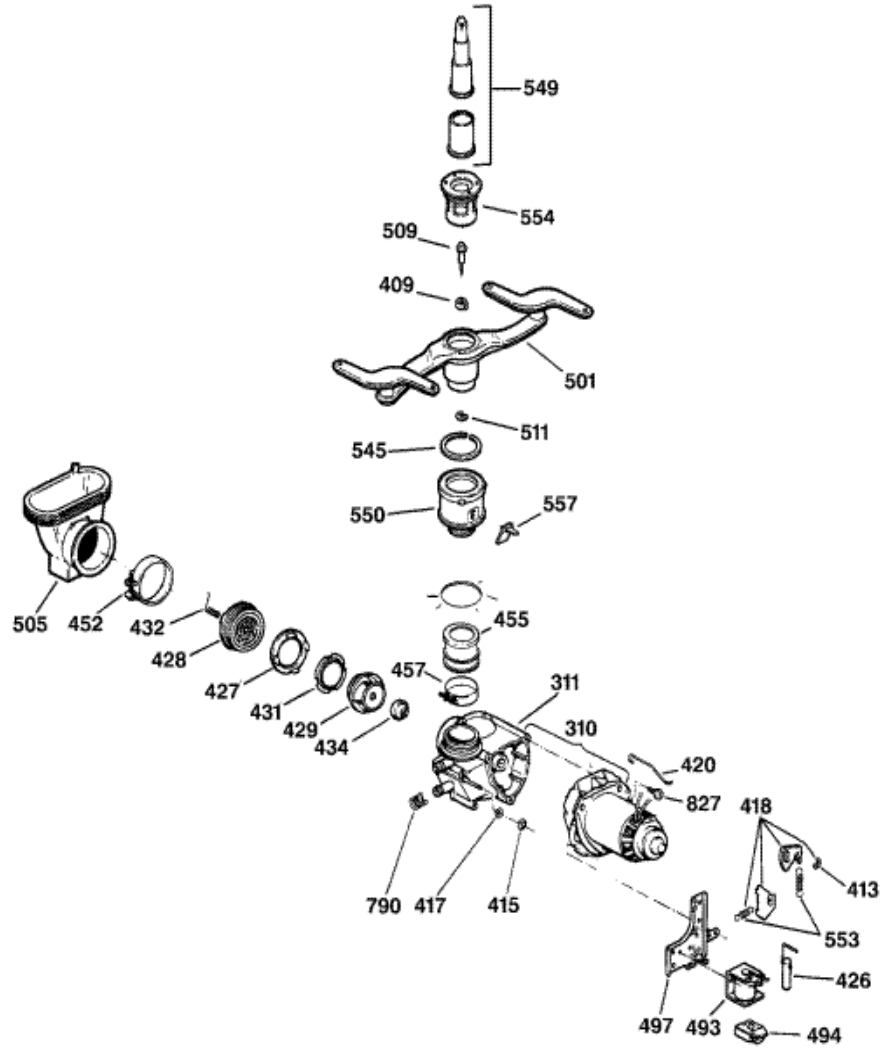


GSC1200X02 REJILLAS

26	WD8X227	BAFFLE,TUB CORNER R.H. (S/P)
26	WD8X228	BAFFLE,TUB CORNER L.H. (S/P)
30	WD1X1333	SPRING DOOR (BLUE-30.0) (S/P)
30	WD1X1354	DOOR SPRING (YELLOW) (S/P)
42	WZ4X376	DESCONTINUADO
50	WD13X67	KEEPER LATCH (S/P)
51	WZ2X492	SCR 10-24X1/2 TT TRR S (S/P)
101	WD5X71	ELEMENT HEATING ASM D&D (S/P)
104	WD1X1491	NUT TOWER HEATER (S/P)
105	WD1X1168	HEATER WASHER (S/P)
109	WD8X225	GROMMET HEATER (S/P)
112	WD1X1462	SUPPORT CALROD (S/P)
113	WD1X1430	SUPPORT ASM (S/P)
302	WD12X445	FLOAT DOME (S/P)
305	WD12X334	FLOOD FLOAT (S/P)
306	WD12X335	FLOAT STEM (S/P)
307	WD12X10023	BRACKET FLOOD SWITCH (S/P)
308	WD12X377	COVER BRACKET (S/P)
401	WD3X767	WASHER ST STL (S/P)
490	WD21X479	SWITCH (S/P)
494	WD1X1459	INSULATOR HSNQ TERM (S/P)
506	WD12X417	COVER INLET (S/P)
508	WD12X418	CAP SUMP (S/P)
543	WD22X149	FILTER FRAME ASM (S/P)
555	WD8X219	GASKET VALVE BODY (S/P)
559	WD24X221	HOSE CHAMBER (S/P)
560	WD22X10024	VALVE & CHECK ASM (S/P)
564	WD24X10018	PISTON & NUT ASM (S/P)
569	WD1X1297	DESCONTINUADO
570	WD35X10057	POWER SHOWER ASSEMBLY (S/P)
571	WD24X214	HOSE POWER SHOWER (S/P)
573	WD1X1007	NUT STRIP (S/P)
615	WD28M60	DESCONTINUADO

616	WD28X297	SHELF CUP (S/P)
650	WD30X98	RACK SLIDE (S/P)
652	WD12X344	RACK SLIDE END CAP (S/P)
654	WD12X332	ROLLER & STUD ASM (S/P)
700	WD12X383	4-RLR & STD ASM,UPR RACK (S/P)
701	WD28X10001	RACK LOWER & ROLLER ASM (S/P)
702	WD12X271	ROLLER ASM LWR RACK FRNT (S/P)
705	WD12X10267	ROLLER ASM LWR RACK REAR (S/P)
733	WD7X14	CABLE & EYELET ASM (S/P)
734	WD35X183	DESCONTINUADO
744	WD10M10	VALVE WATER INLET (S/P)
746	WD2X248	SCR 10-24X3/8 TT HEX (S/P)
771	WD28X265	BASKET (S/P)
776	WZ5X222	SCR 10-32 T HEX 7/16 S (S/P)
777	WD1X1465	INSULATION TUB (S/P)
782	WD18X202	WATER INLET HOSE (S/P)
790	WH1X2036	CLAMP HOSE (S/P)
833	WD2X295	SCR 8-18X1/2 #10 TRUSS H (S/P)

GSC1200X02 BOMBA





GSC1200X02 BOMBA

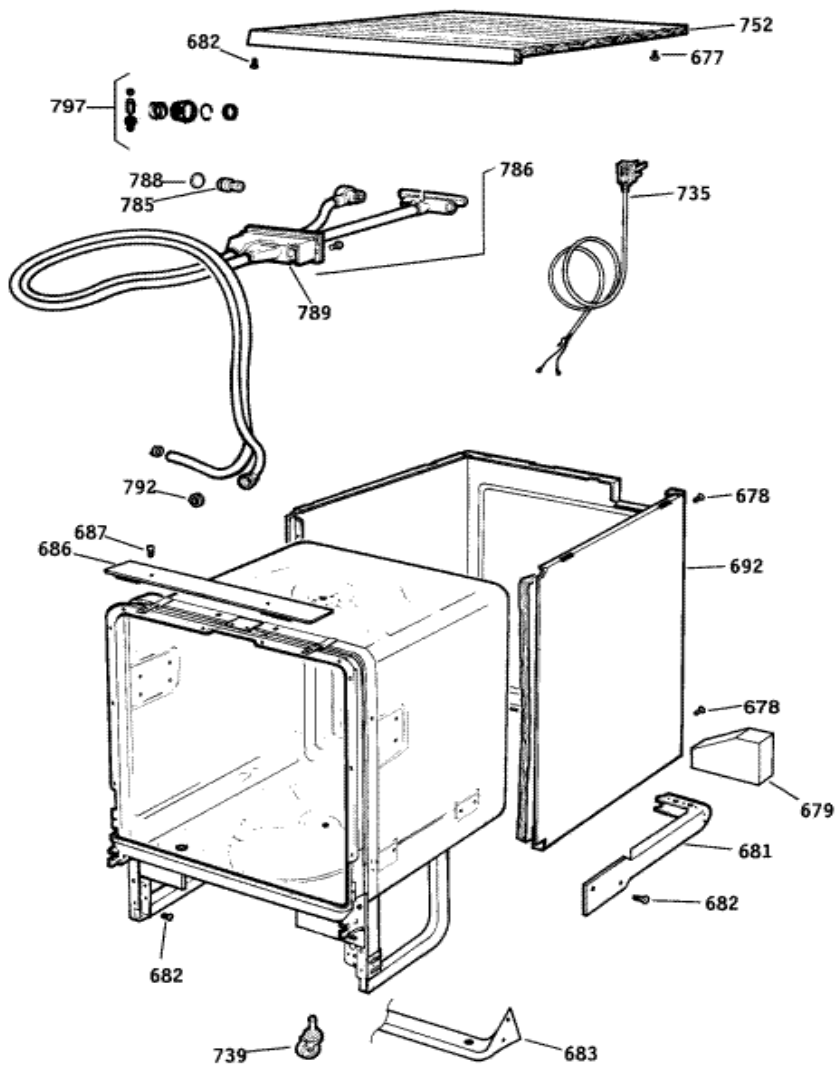
310	WD26X10013	MOTOR/PUMP MECH COMPLETE (S/P)
311	WD19X57	DESCONTINUADO
409	WD3X766	THRUST WASHER (S/P)
413	WD3X487	PS RETAINER (S/P)
415	WR2X7054	NUT PUSH ON (S/P)
417	WD8X181	GATE SHAFT SEAL (S/P)
418	WD35X192	GATE VALVE ARM KIT (S/P)
420	WD1X1455	HANGER MECH (S/P)
426	WD1X1316	ARMATURE & LINK ASSEMBLY (S/P)
427	WD19X10032	WEAR RING BASE (S/P)
428	WD12X378	GRADER / NUT (S/P)
429	WD19X10032	IMPELLER ASM (S/P)
431	WD19X10032	WEAR RING (S/P)
432	WD1X1339	SPRING CUTTER (S/P)
434	WD19X10032	PUMP SEAL ASM (S/P)
452	WD1X1392	CLAMP, SUMP (S/P)
455	WD18X214	CONNECTOR PUMP ASM (S/P)
457	WD1X1376	CLAMP (PUMP CONNECTOR) (S/P)
493	WD21X802	SOLENOID (S/P)
494	WD1X1459	INSULATOR HSNQ TERM (S/P)
497	WD1X1439	BRACKET SOLENOID (S/P)
501	WD22X155	SPRAY ARM ASM (S/P)
505	WD18X213	SUMP INLET (S/P)
509	WD2X439	SCREW SPRAY ARM (S/P)
511	WD2X438	E RING (S/P)
545	WD35X10011	RING SEAL (S/P)
549	WD22X154	TOWER ASM (S/P)
550	WD35X10011	SUPPORT ASM (S/P)
553	WD3X721	SPRING SET (S/P)
554	WD35X10011	NUT TOWER (S/P)
557	WD1X5488	CHECK VALVE (S/P)
790	WH1X2036	CLAMP HOSE (S/P)
827	WD2X425	SCR 10-12X1/2 AC PNR S (S/P)

Distribuidor Autorizado

SurteRápido.com

Venta de Refacciones
Electrodomesticas

GSC1200X02 GABINETE





GSC1200X02 GABINETE

677	WD3M63	DESCONTINUADO
678	WZ5X219	SCREW (S/P)
679	WD35M28	COUNTERWEIGHT (S/P)
681	WD3M72	BRACKET REAR (S/P)
681	WD35M29	BRACE REAR (S/P)
682	WE2X263	SCREW (S/P)
683	WD35M26	BRACE FRONT (S/P)
686	WD35M22	CROSS PIECE (S/P)
687	WD2M154	SCREW (S/P)
735	WD6M6	CORD POWER (S/P)
739	WD2M172	CASTER (S/P)
752	WD31M67	TOP WOOD (S/P)
785	WD1X1447	ADAPTER FAUCET (S/P)
786	WD35X194	UNICOUPLE & HOSE COMPLET (S/P)
788	WD3X588	DESCONTINUADO
789	WD12M79	POCKET UNICOUPLE (S/P)
792	WH2X42	WASHER HOSE (S/P)
797	WD35M27	KIT REPAIR UNICOUPLE (S/P)
943	WZ5X219	SCREW (S/P)