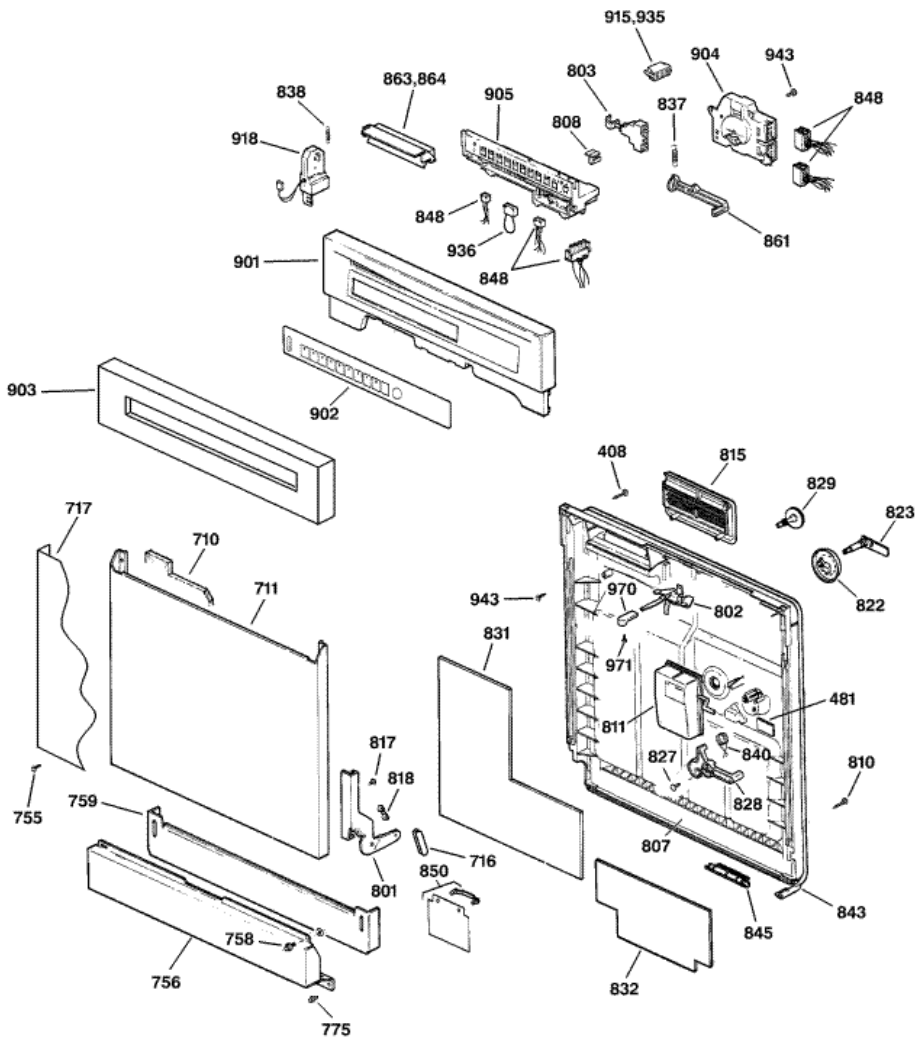


Distribuidor Autorizado

SurteRápido.com

Venta de Refacciones  
Electrodomesticas

## GSD5940D00SS TABLERO





**GSD5940D00SS TABLERO**

408	WD2X296	SCREW 8-32X5/8 (S/P)
481	WD1X10016	DEFLECTOR (S/P)
710	WD1X10023	INSULATION (S/P)
711	WD31X10024	PANEL FRONT BK (S/P)
716	WD14X10009	LINK HINGE ARM (S/P)
717	WD27M275	PANEL COVER SS (S/P)
755	WD2X432	SCREW (S/P)
756	WD27X10224	PANEL ACCESS ASM (S/P)
758	WD2X10056	SCREW 8-32 X 5/16 SPH (S/P)
759	WD27X10171	TOEKICK ASM BK (S/P)
775	WD2X10057	SCR 10-16X1/2 AB HXW S (S/P)
775	WD2X5166	SCR 10-16X1/2 AB HXW S (S/P)
801	WD14M11	ARM HINGE COMPLETE LH (S/P)
801	WD14M12	ARM HINGE COMPLETE RH (S/P)
802	WD13X10003	LATCH ASM (S/P)
803	WD6X10002	SWITCH INTERLOCK ASM (S/P)
807	WD31M65	DOOR INNER (S/P)
808	WR2X4039	ADHESIVE CLIP (S/P)
810	WD2X322	SCR 8-18X7/8 BT (S/P)
811	WD12X398	RINSE AID INJ ASM
815	WD12X10026	VENT (S/P)
817	WD2X445	SCR 10-32 T HEX .7 S (S/P)
817	WD1X550	SCR 8-32 PNT 1/2 S (S/P)
818	WD12X10025	BEARING HINGE ARM (S/P)
822	WD16X297	COVER DETERGENT CUP (S/P)
823	WD16X313	SHAFT/HANDLE DET CUP (S/P)
827	WD2X425	SCR 10-12X1/2 AC PNR S (S/P)
828	WD16X10011	LATCH DETERGENT CUP (S/P)
829	WD12X10284	INDICATOR ASM JET DRY (S/P)
831	WD1X10337	MASTIC DOOR (S/P)
832	WD1X1469	DAMPER SOUND (S/P)
837	WD3X749	<b>DESCONTINUADO</b>
838	WD3X776	SPRING VENT (S/P)

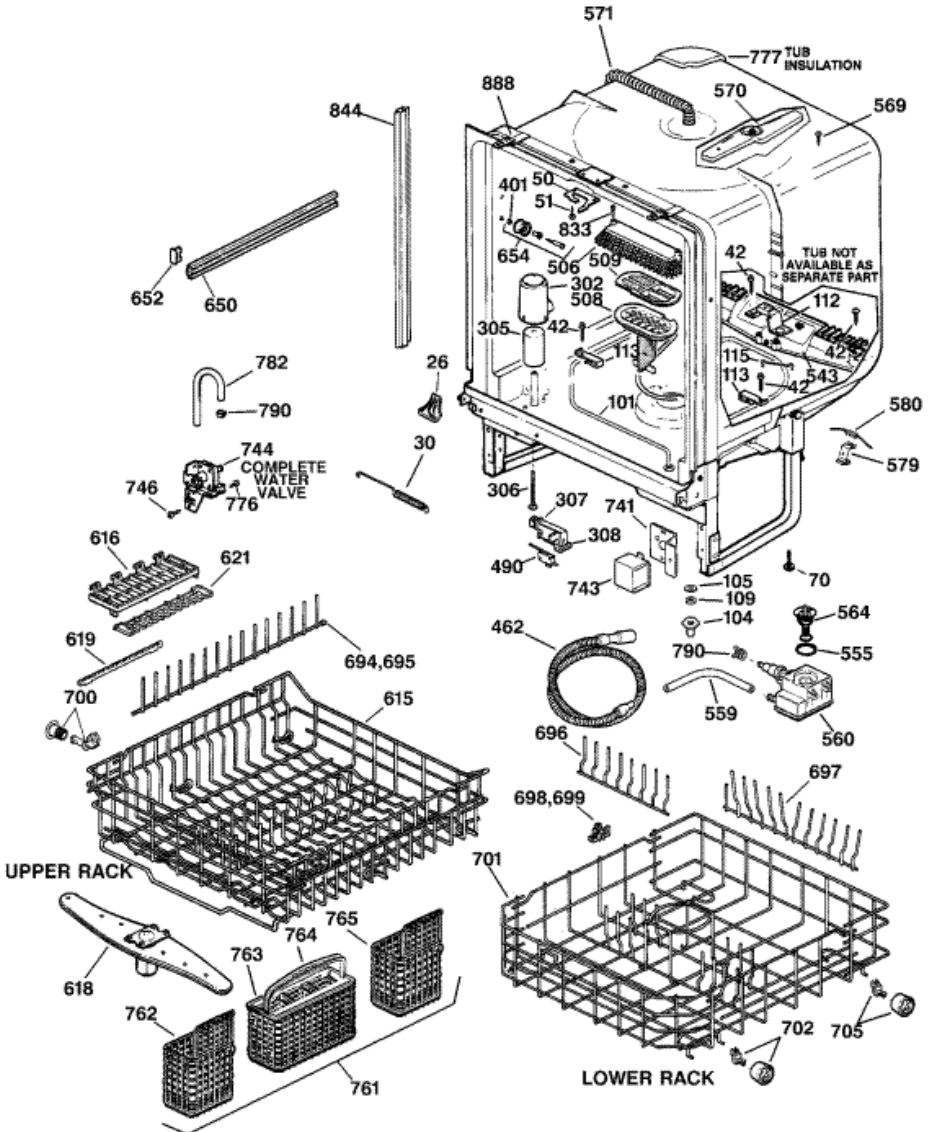
840	WD3X764	DETERGENT TRIP SPRING (S/P)
843	WD8X10057	GASKET (S/P)
845	WD8X10015	GASKET INSERT (S/P)
848	WD21X10025	HARNESS PROD SERV (S/P)
850	WD12X338	DRIP SHIELD (S/P)
861	WD12X10019	LEVER SWITCH (S/P)
863	WD12X10020	VENT ASM (S/P)
864	WD12X10021	VENT FLAP (S/P)
901	WD34M798	ESCUTCHEON (S/P)
902	WD34X10280	INSERT ESCUTCHEON (S/P)
903	WD34M799	<b>DESCONTINUADO</b>
904	WD21X10018	SEQUENCE SWITCH (S/P)
905	WD21X10116	CONTROL ASM
915	WD1X1433	HOUSING TERMINAL (S/P)
915	WD1X1432	<b>DESCONTINUADO</b>
918	WD21X10022	DRIVER VENT (S/P)
935	WD1X1434	TERMINAL SPECIAL (S/P)
936	WD21X10067	HARNESS (S/P)
943	WZ5X219	SCREW (S/P)
970	WD9X351	KNOB, LATCH HANDLE BK (S/P)
971	WZ2X45	SCREW LATCH KNOB (S/P)

Distribuidor Autorizado

SurteRápido.com

Venta de Refacciones  
Electrodomesticas

# GSD5940D00SS TINA



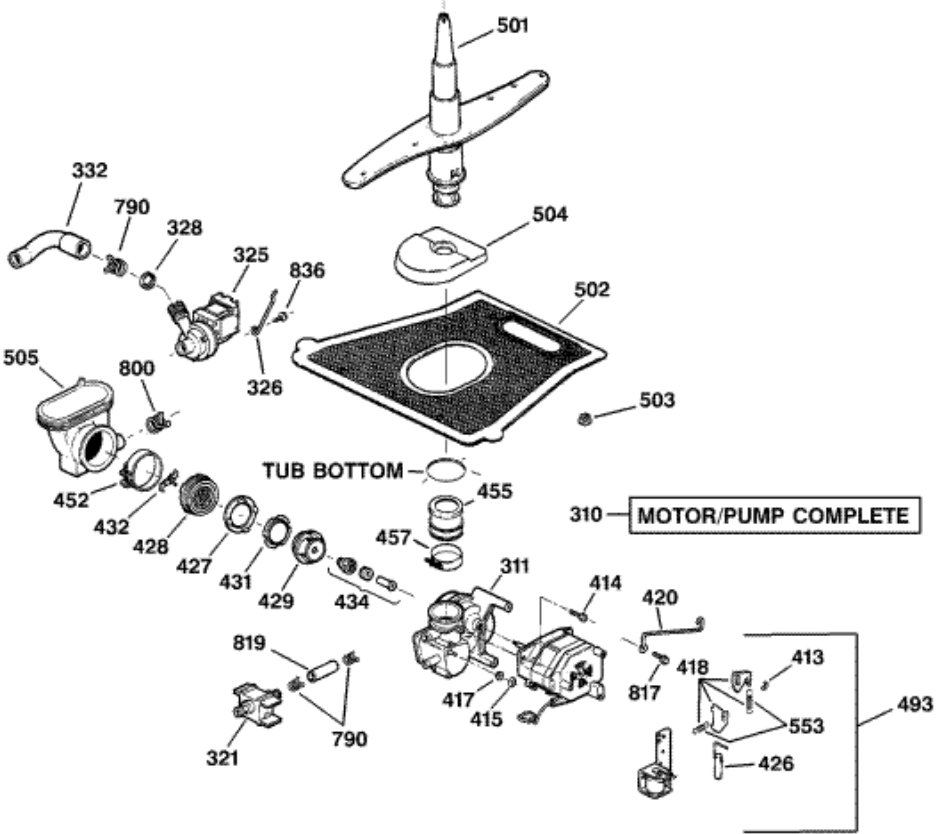


**GSD5940D00SS TINA**

26	WD8X227	BAFFLE TUB CORNER RH (S/P)
26	WD8X228	BAFFLE TUB CORNER LH (S/P)
30	WD2M205	SPRING DOOR (S/P)
30	WD3X10021	SPRING DOOR SILVER (S/P)
42	WZ4X376	SCR 10-16X3/4 #8 HX SSTL (S/P)
50	WD13X67	KEEPER LATCH (S/P)
51	WZ2X492	SCR 10-24X1/2 TT TRR S (S/P)
70	WD2X320	SCREW LEVEL (S/P)
101	WD5X10003	ELEMENT HEATING ASM D&D (S/P)
104	WD1X1491	NUT TOWER HEATER (S/P)
105	WD1X1168	HEATER WASHER (S/P)
109	WD8X225	GROMMET HEATER (S/P)
112	WD1X1462	SUPPORT CALROD (S/P)
113	WD1X1430	SUPPORT ASM (S/P)
115	WD1X10066	WIRE CALROD SUPPORT (S/P)
302	WD12X445	FLOAT DOME (S/P)
305	WD12X334	FLOOD FLOAT (S/P)
306	WD12X335	FLOAT STEM (S/P)
307	WD12X10023	BRACKET FLOOD SWITCH (S/P)
308	WD12X377	COVER BRACKET (S/P)
401	WD3X767	WASHER ST STL (S/P)
462	WD24X10014	HOSE DRAIN (S/P)
490	WD21X479	SWITCH FLOOD (S/P)
506	WD12X10040	COVER INLET (S/P)
508	WD22X10021	FILTER SUMP (S/P)
509	WD22X10020	COVER SUMP (S/P)
543	WD22X149	FILTER FRAME ASM (S/P)
555	WD8X219	GASKET VALVE BODY (S/P)
559	WD24X10015	HOSE CHAMBER (S/P)
560	WD22X10018	BODY VALVE & CHECK ASM (S/P)
564	WD24X10018	PISTON & NUT ASM (S/P)
569	WD2X448	SCR 8-16 ABHW .315 SN (S/P)
570	WD28X10103	SPRAYARM ASM 3RD LEVEL (S/P)

571	WD24X222	HOSE POWER SHOWER (S/P)
579	WD1X10021	CLIP SENSOR (S/P)
580	WD21X10023	THERMISTOR (S/P)
615	WD28X10036	RACK UPPER & ROLLER ASM (S/P)
616	WD28X10012	SHELF MULTI PURPOSE (S/P)
618	WD22X10022	SPRAYARM ASM MID LVL (S/P)
619	WD28X10013	GRIPPER STEMWARE (S/P)
621	WD28X10020	STABILIZER STEMWARE (S/P)
650	WD30X98	<b>DESCONTINUADO</b>
652	WD12X344	RACK SLIDE END CAP (S/P)
654	WD12X332	<b>DESCONTINUADO</b>
694	WD28X10047	COMB FLEX 15 TINE (S/P)
695	WD28X10046	COMB FLEX 15 TINE (S/P)
696	WD28X10044	COMB FLEX 5 TINE (S/P)
697	WD28X10045	COMB FLEX 7 TINE (S/P)
698	WD28X10018	RETAINER COMB LEFT (S/P)
699	WD28X10019	RETAINER COMB RIGHT (S/P)
700	WD12X383	4-RLR STD ASM,UPR RACK (S/P)
701	WD28X10041	RACK LOWER & ROLLER ASM (S/P)
702	WD12X271	ROLLER ASM LWR RACK FRNT (S/P)
705	WD12X272	ROLLER ASM LWR RACK REAR (S/P)
741	WD12X447	BRACKET J-BOX (S/P)
743	WD12X448	COVER JUCTION BOX (S/P)
744	WD15X96	VALVE WATER INLET (S/P)
746	WD2X248	SCR 10-24X3/8 TT HEX (S/P)
761	WD28X10182	BASKET 6 PC ASM (S/P)
762	WD28X10153	BASKET SILVERWARE END (S/P)
763	WD28X10037	BASKET SILVERWARE MIDDLE (S/P)
764	WD28X10039	HANDLE BASKET (S/P)
765	WD28X10068	LID BASKET (S/P)
776	WZ5X222	SCR 10-32 T HEX 7/16 S (S/P)
777	WD1X10262	INSULATION TUB (S/P)
782	WD18X202	WATER INLET HOSE (S/P)
790	WD1X10065	CLAMP HOSE (S/P)
790	WH1X2036	CLAMP HOSE (S/P)
844	WD8X10010	TRIM TUB FLANGE BK (S/P)
888	WD35X200	BRACKET COUNTER (S/P)

**GSD5940D00SS BOMBA**





## GSD5940D00SS BOMBA

310	WD26X10013	MECHANISM S/S ASM
311	WD19X10021	<b>DESCONTINUADO</b>
321	WD21X769	SENSOR TURBIDITY (S/P)
325	WD19X10015	PUMP (S/P)
326	WD1X10024	HANGER DUAL PUMP (S/P)
328	WD1X1486	VALVE FLAPPER (S/P)
332	WD24X10006	HOSE DUAL PUMP (S/P)
413	WD3X487	PS RETAINER (S/P)
415	WR2X7054	NUT PUSH ON (S/P)
417	WD8X181	GATE SHAFT SEAL (S/P)
418	WD35X192	GATE VALVE ARM KIT (S/P)
420	WD1X1482	HANGER MECH (S/P)
426	WD1X1316	<b>DESCONTINUADO</b>
427	WD12X354	<b>DESCONTINUADO</b>
428	WD12X10018	NUT GRATER (S/P)
429	WD19X10032	IMPELLER ASM
431	WD1X1341	WEAR RING (S/P)
432	WD1X10018	BLADE AND SHAFT (S/P)
434	WD19X10032	PUMP SEAL ASM
452	WD1X1392	CLAMP, SUMP (S/P)
455	WD18X214	CONNECTOR PUMP ASM (S/P)
457	WD1X1376	CLAMP (PUMP CONNECTOR) (S/P)
493	WD21X10060	KIT SOLENOID ASM (S/P)
501	WD22X10017	SPRAYARM ASM (S/P)
502	WD22X10043	GASKET & FILTER ASM (S/P)
503	WD1X10068	PALNUT (S/P)
504	WD22X10023	SERVICE DOME, COARSE FLTR (S/P)
505	WD18X215	SUMP INLET
553	WD3X721	SPRING GATE ACT (S/P)
800	WD1X1497	CLAMP DUAL SUPPORT (S/P)
819	WD24X10016	HOSE TURBIDITY (S/P)