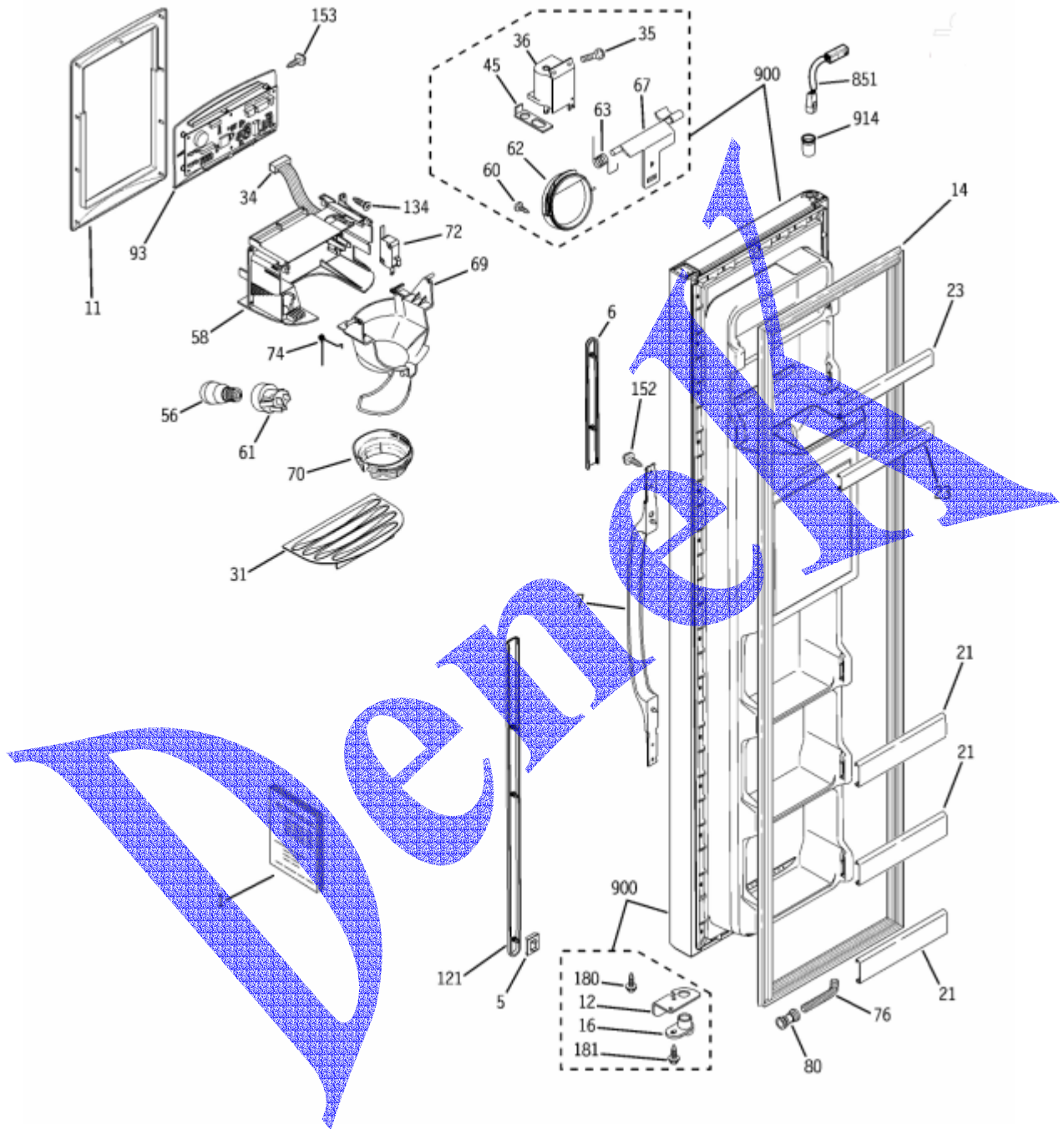


G.E. REFRIGERADOR GSL25JFRIBS

PUERTA CONGELADOR



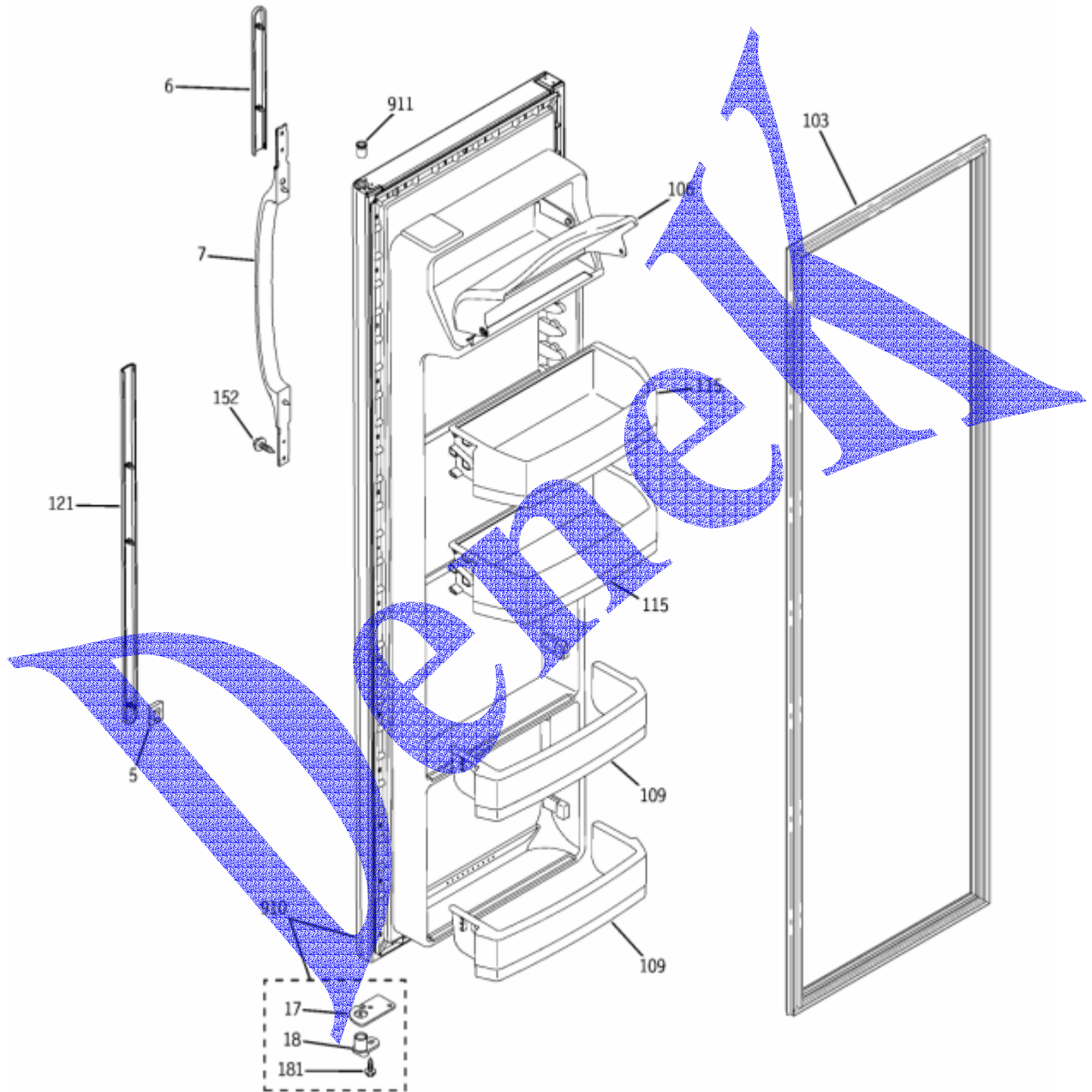
G.E. REFRIGERADOR GSL25JFRIBS

PUERTA CONGELADOR

NUMERO	N. DE PARTE	DESCRIPCION
1	31-51614	PM MINI MANUAL WIRING
1	49-60379	PM GUIDE OWNERS
5	WR02X10431	DART CLIP
6	WR12X10393	TAIL HANDLE SXS BK
7	WR12X10434	HANDLE SXS BK
11	WR38X10302	RECESS TRIM BK
12	WR02X11466	PLATE DOOR STOP FZ
14	WR24X10133	GASKET DOOR FZ
16	WR02X11178	CAM & THIMBLE FZ
21	WR17X10709	FRONT DOOR SHELF
23	WR17X10710	FRONT DOOR SHELF
31	WR17X10745	GRILL RECESS BK
34	WR23X10166	HARNES RECESS DISP
35	WR01X10221	SCR 8-10 PL PNP 1/2 S
36	WR62X10020	SOLENOID ASM
45	WR2X8818	RETAINER RECESS DOOR
56	WR02X10675	BULB RECS 12V
58	WR17X11170	HOUSING SHIELD DISP
60	WR01X10377	SCR 4-10 PL PNP 5/16 S5H
61	WR2X9561	LAMP SOCKET
62	WR17X11653	DOOR RECESS ASM
63	WR02X10585	SPRING RECESS DOOR
67	WR17X10706	CRANK DOOR RECESS
69	WR17X11267	FUNNEL ICE DISP BK
70	WR17X11268	EXTENSION FUNNEL ICE BK
72	WR23X10224	SWITCH
74	WR02X10584	SPRING FUNNEL
76	WR2X8933	SLEEVE WATER LINE
80	WR02X11330	UNION CONNECTOR
93	WR55X10438	RECESS DSPLY 5 BTN BK
121	WR12X10392	TAIL HANDLE SXS BK
134	WR01X10019	SCR 6-10 PL FL P 1/2 S
152	WR01X10038	SCR 8-18 AB FL TR 5/8 S
153	WR1X1505	SCREW
180	WR1X1966	SCREW 6-32 PL IHW 3/8
181	WR01X10215	SCR 10-32 TT HXW 3/4 S
900	WR78X10987	DOOR ASM CS FZ
914	WR01X10200	THIMBLE DOOR TOP

G.E. REFRIGERADOR GSL25JFRIBS

PUERTA ENFRIADOR



G.E. REFRIGERADOR GSL25JFRIBS

PUERTA ENFRIADOR

NUMERO	N.DE PARTE	DESCRIPCION
5	WR02X10431	DART CLIP
6	WR12X10393	TAIL HANDLE SXS BK
7	WR12X10434	HANDLE SXS BK
17	WR02X11465	PLATE DOOR STOP FF
18	WR02X11479	CAM & THIMBLE FF
103	WR24X10132	GASKET D00R FF
106	WR22X10012	DOOR DAIRY
109	WR71X10232	SHELF MODULE FIXED FF
115	WR71X10231	SHELF MODULE FF
121	WR12X10392	TAIL HANDLE SXS BK
152	WR01X10038	SCR 8-18 AB FLTR 5/8 S
181	WR01X10215	SCR 10-32 TT HXW 3/4 S
910	WR78X10918	DOOR ASM CS FF
911	WR01X10201	THIMBLE TOP CLOSED

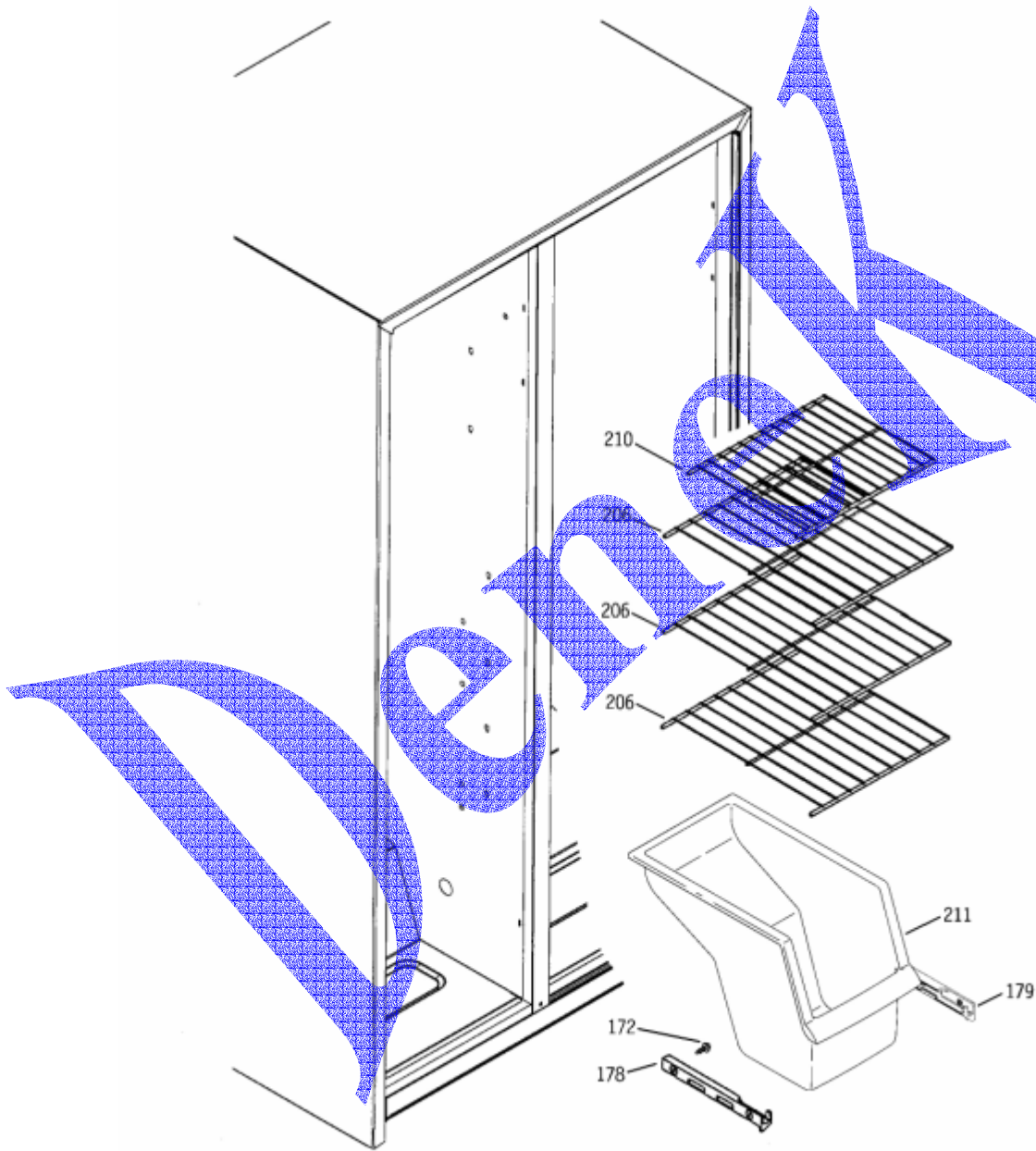
G.E. REFRIGERADOR GSL25JFRIBS

SECCION DE CONGELADOR

NUMERO	N.DE PARTE	DESCRIPCION
87	WZ4X241	SCR 8-18 AB PA 1/2 SS
151	WR1X1554	SCR 8-18 AB IHXW 1/2 S
164	WR14X10049	GASKET DUCT FZ
165	WR14X10048	GASKET DUCT FZ
167	WR17X11791	DUCT AIR FZ
175	WR01X10035	SCR 8-18 AB IHW 5/8 S
177	WR1X5034	SCREW 8-18 A HX 1/2 S
205	WR01X10318	PUSH FASTENER
207	WR2X4676	GROMMET SHELF
208	WR02X11561	SUPPORT FZ
212	WR11X10045	GASKET COVER EVAP
214	WR17X11144	COVER EVAP
225	WR02X11476	TUBE DRAIN
228	WR85X10022	EVAP REPL KIT
229	WR02X10552	CLIP EVAP THERMISTOR
230	WR51X10055	HEATER & BRACKET ASM
240	WR50X10054	THERMOSTAT DEF
241	WR50X10027	SENSOR TEMP
243	WR55X10380	SENSOR TEMPERATURE
247	WR17X11576	ORIFICE EVAP FAN
248	WR14X10050	GASKET FOAM
251	WR02X10632	TWIST SUPPORT
258	WR17X10724	SHIELD LIGHT FZ
261	WR13X10313	FZ HINGE BTM & PIN ASM
262	WR02X11743	HINGE CAM RISER
267	WR23X10404	HARNES FZ FAN HTR
268	WR01X10199	SCREW MOBILITY
278	WR02X10572	MOBILITY FRONT ASM
279	WR02X10574	PIN PIVOT ASM
280	WR02X10610	CAP CORNER OC BK
286	WR17X10728	THERMISTOR COVER FZ
288	WR74X10151	GRILLE BASE ASM BK
289	WR02X10560	CLIP GRILLE
290	WR17X11428	BAR CURB HANDLING
435	60A	LAMP 60W APPL
439	WR02X10591	SOCKET & TERMINAL
446	WR13X10286	HINGE TOP & PIN ASM FZ
447	WR02X11482	CVR HNG BK
560	WR01X10495	SCR 12-24 CA HX 7/8 S
578	WR01X10379	SCREW HINGE COVER
607	WR02X10322	CAP DUST
608	WR23X10179	SWITCH LIGHT
610	WR60X10154	MOTOR EVAP DC
611	WR02X11622	BRACKET EVAP FAN BTM
612	WR02X11124	BRACKET EVAP FAN TOP
613	WR60X10075	BLADE EVAP FAN ASM
614	WR02X10540	BUMPER LID
615	WR02X11331	GROMMET EVAP FAN
652	WR02X10509	RING COMPRESSION
809	WR1X1936	FASTENER WATER TUBE

G.E. REFRIGERADOR GSL25JFRIBS

REJILLAS DE CONGELADOR



G.E. REFRIGERADOR GSL25JFRIBS

REJILLAS DE CONGELADOR

NUMERO	N.DE PARTE	DESCRIPCION
172	WR01X10380	SCR 8-18 AB-TSQ 5/8 SS
178	WR72X10134	SUPPORT SLIDE BASKET ASM
179	WR72X10097	SUPPORT SLIDE BASKET RH
206	WR71X1936	SHELF FZ
210	WR71X10230	SHELF FZ 3/4
211	WR21X10016	BASKET SLIDEOUT FZ WHITE

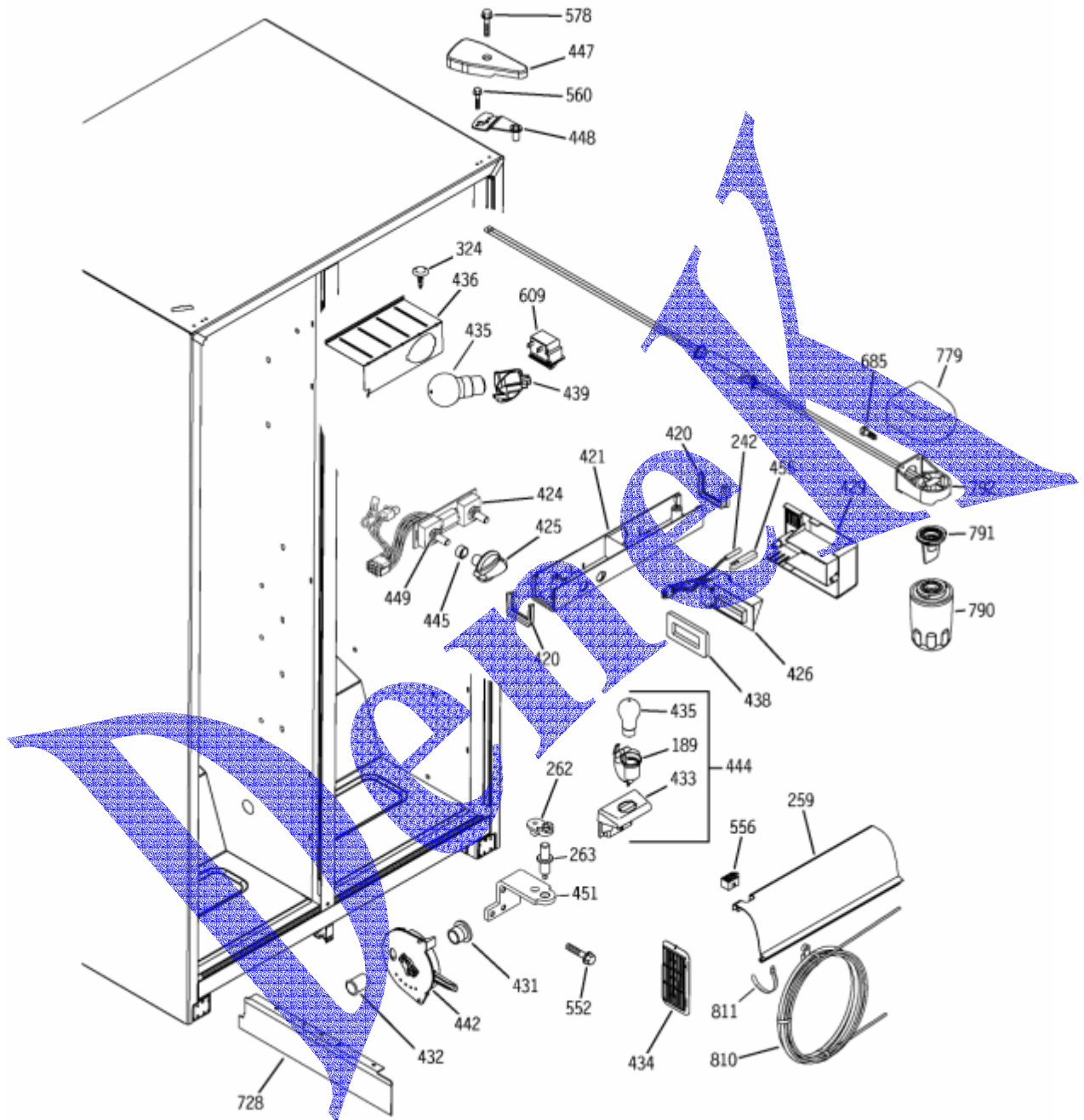
G.E. REFRIGERADOR GSL25JFRIBS

ICE MAKER Y DESPACHADOR

NUMERO	N.DE PARTE	DESCRIPCION
269	WR02X10960	TUBE IM FILL
270	WR02X10564	GROMMET WATER FILL
320	WR01X10315	NUT AUGER FRT DISP
321	WR1X1367	RETAINER RING E
322	WR02X11266	SPACER CRUSHER MIDDLE
325	WR17X11505	HOUSING CRUSHER DISP
326	WR1X1366	WASHER
327	WR01X10478	SCR 8-18 AB PHR 1/2 S
328	WR2X4561	SPRING ICE DEFLECTOR
328	WR2X4143	PIN DEFLECTOR DISP
328	WR17X10703	DEFLECTOR ICE DISP
329	WR17X11403	WIRE ACTUATOR DISP
330	WR02X10583	SPRING DEFLECTOR
331	WR02X10580	RETAINER SPRING
332	WR17X11239	BLADES MOVING DISP
333	WR17X11240	BLADES MOVING DISP
334	WR17X11241	BLADES MOVING DISP
335	WR2X4139	SPACER CRUSHER MIDDLE
336	WR17X1009	BLADE STATIONARY DISP
337	WR2X4138	SPACER CRUSHER STATIONAR
339	WR2X4141	PIN SPIRAL
340	WR17X2058	BLADE STATIONARY DISP
342	WR02X10691	STATIONARY BLADES ASM
345	WR17X11497	COVER CRUSHER HSG DISP
350	WR17X11705	AUGER ASM DISP
352	WR30X10016	BUCKET ICE DISP
354	WR17X11419	BUCKET & AUGER ASM
358	WR72X10169	GLIDE BRACKET LH
359	WR72X10170	GLIDE BRACKET RH
360	WR17X11449	DIVERTER OVERFLOW
362	WR02X10971	BRACKET SHELF
363	WR02X11128	SHIELD CRUSHER MTR
365	WR02X11941	DRIVE AUGER DISP
367	WR01X10198	SCR 8-18 TPT 1/4
369	WR60X10103	MOTOR CRUSHER DISP
371	WR01X10192	SCR 10-18 H/L O HXW 1/2
375	WR23X10402	HARNES MOTOR DISP
377	WR2X7309	SADDLE SOLENOID
378	WR62X58	SOLENOID & ARM ASM
379	WR17X1063	SHROUD SOLENOID
380	WR17X1064	PLUNGER SOLENOID
381	WR2X4257	PIN SPIRAL
382	WR2X4258	SPRING SOLENOID LINKAGE
383	WR17X1065	COLLAR SOLENOID DISP
384	WR17X1066	STIRRUP SOLENOID DISP
385	WR2X4259	PIN SPIRAL
387	WR17X10779	COVER BUCKET DISP
416	WR17X11927	SHELF CHILLER 25"
804	WR29X10054	IM GUARDRAIL
820	WR30X10061	ICEMAKER ASM
821	WR29X10068	COVER PLATE ELECTRNIC IM
822	WR02X10678	GROMMET
823	WR01X10482	SCR 8-18A FL HD 5/8 SS
867	WR29X10058	CUP FILL IM

G.E. REFRIGERADOR GSL25JFRIBS

SECCION ENFRIADOR



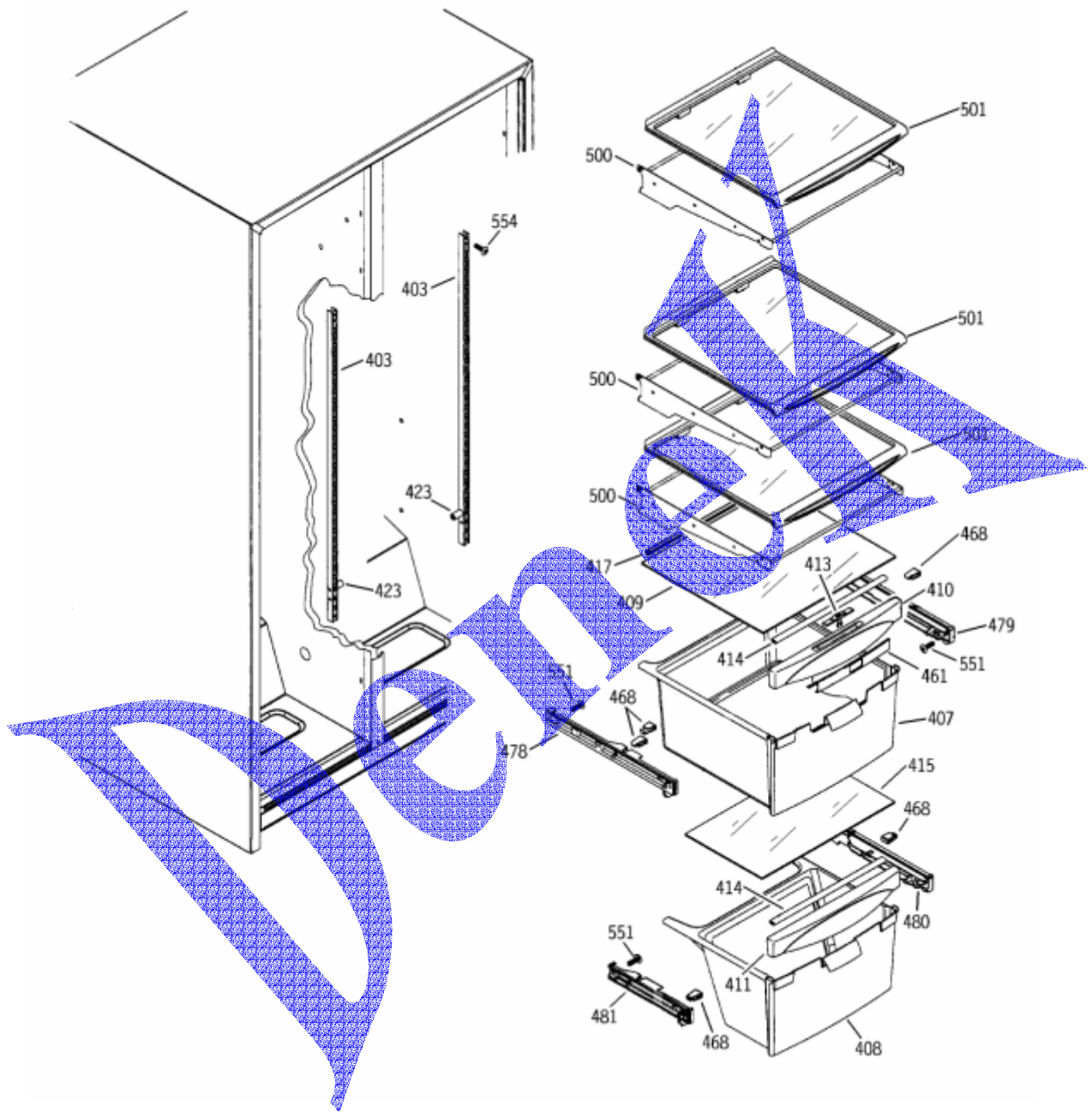
G.E. REFRIGERADOR GSL25JFRIBS

SECCION ENFRIADOR

NUMERO	N.DE PARTE	DESCRIPCION
189	WR02X11127	SOCKET LAMP
242	WR50X10034	SENSOR TEMP
259	WR17X10725	SHIELD LIGHT LOWER
262	WR02X11743	HINGE CAM RISES
263	WR02X10592	PIN HINGE BTM ADJ
324	WR2X7051	PLUG BUTTON SM WH
420	WR14X10044	GASKET CONTROL HOUSING
421	WR17X11627	HOUSING CONTROL
424	WR55X10399	BOARD ASM ENCODER W/HRN
425	WR02X10570	KNOB CONTROL
426	WR60X10159	DAMPER & THERMISTER ASM
429	WR02X11795	COVER DAMPER
431	WR2X9299	CAP MULLION DUCT
432	WR02X10561	DUCT MULLION
433	WR02X11126	HOUSING LAMP SOCKET
434	WR17X10262	GRILLE AIR RETURN
435	60A	LAMP 60W APPL
436	WR02X10578	REFLECTOR LAMP
438	WR14X10047	GASKET DAMPER
439	WR02X10591	SOCKET & TERMINAL
442	WR02X10042	CONTROL MEAT PAN ASM
444	WR23X10247	HOUSING LIGHT LWR ASM
445	WR02X10581	RING COMPRESSION
447	WR02X11482	CVR HNG BK
448	WR13X10285	HINGE TOP & PIN ASM FF
449	WR01X10191	NUT SPECIAL
451	WR13X10312	FF HINGE BTM & PIN ASM
455	WR02X10622	COVER SENSOR FF
552	WR01X10034	SCR 12-24 TT IH .811 S
556	WH12X497	HOUSING TERMINAL
560	WR01X10195	SCR 12-24 CA HX 7/8 S
578	WR01X10379	SCREW HINGE COVER
609	WR23X10162	SWITCH LIGHT
685	WR1X1804	SCR 8-18 AB HXW 3/4 WH
728	WR17X11409	SEPARATOR AIR HI SIDE
779	WR02X10621	COVER WATER FILTER
790	MWF	FILTER CANISTER, WATER
791	WR02X11705	CAP FILTER BYPASS
792	WR17X11920	FILTER ASM AND TUBE
810	WR17X11324	WATER STORAGE COIL
811	WR02X11607	WIRE TIE

G.E. REFRIGERADOR GSL25JFRIBS

ANAQUELES DE ENFRIADOR



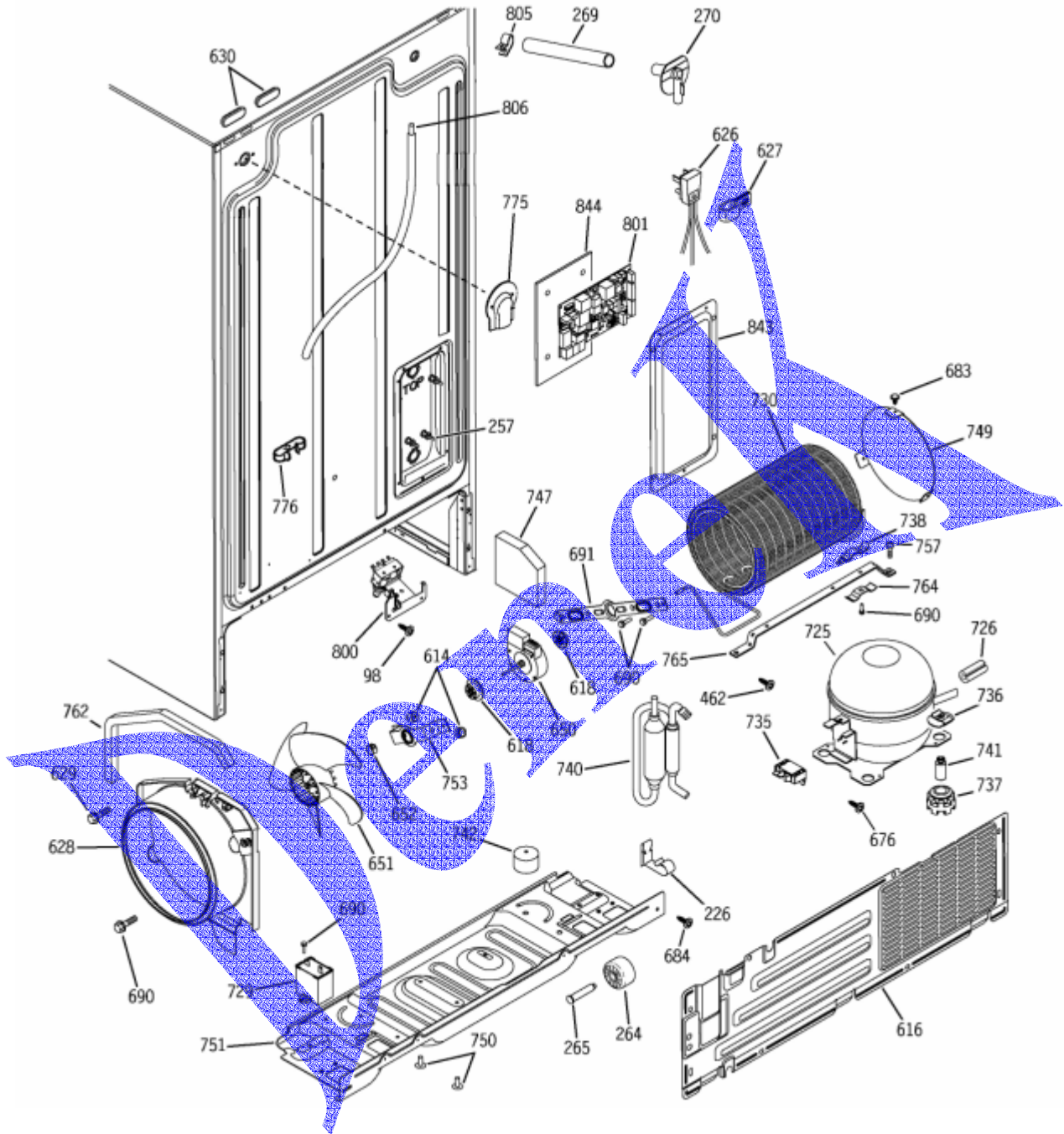
G.E. REFRIGERADOR GSL25JFRIBS

ANAQUELES DE ENFRIADOR

NUMERO	N.DE PARTE	DESCRIPCION
403	WR72X254	TRACK CANT SHELF
407	WR32X10133	PAN VEG
408	WR32X10131	PAN MEAT
409	WR32X10130	COVER PAN GLASS
410	WR17X11139	HANDLE VEG PAN
411	WR17X11250	HANDLE PAN MEAT
413	WR02X11174	BUTTON SLIDE
414	WR14X10084	GASKET PAN COVER FRT
415	WR32X10129	COVER PAN GLASS
417	WR14X10052	GASKET SHIELD LOWER
423	WR2X6347	SUPPORT SHIELD TOP
461	WR72X10083	SLIDE PAN
468	WR1X2048	BEARING SLIDE
478	WR72X239	SLIDE ASM LH
479	WR72X240	SLIDE ASM RH
480	WR72X242	SLIDE ASM RH
481	WR72X241	SLIDE ASM LH
500	WR71X10492	SHELF CANT SPILLPRF
501	WR32X10134	SHELF ENCAP SLIDEOUT
551	WZ4X244	SCR 8-18 AB RNDW 5/8 SS
554	WR1X2141	SCR 10-24 TR HXW I S

G.E. REFRIGERADOR GSL25JFRIBS

SISTEMA DE SELLO Y TARJETA MADRE



G.E. REFRIGERADOR GSL25JFRIBS

SISTEMA DE SELLO Y TARJETA MADRE

NUMERO	N.DE PARTE	DESCRIPCION
98	WR1K1	SCREW 8-36 T IHW 3/8 SN
226	WR02X10558	CLIP DRAIN TUBE
257	WR02X10159	FASTENER BOARD
264	WR02X10695	WHEEL MOBILITY REAR
265	WR01X10039	AXLE WHEEL
269	WR02X10960	TUBE IM FILL
270	WR02X10564	GROMMET WATER FILL
462	WZ6X136	SCR 8-18 AB HXW 1/2 S
614	WR02X10540	BUMPER LID
616	WR82X10100	ACCESS COVER
618	WR02X10098	GROMMET MOTOR
626	WR23X10300	CORD POWER ASM
627	WR1X5278	CLAMP CABLE
628	WR17X11252	SHROUD CONDENSER
629	WH02X10126	SCR 8-18 B IHW 1/2 SN
630	WR2X8525	PLUG BUTTON BK
650	WR60X10080	MOTOR DC COND FAN
651	WR60X10049	BLADE COND FAN ASM
652	WR02X10509	RING COMPRESSION
676	WZ4X263	SCR 10-16 AB HXW 1/2
683	WR02X10562	FASTENER PUSH
684	WB01T10047	SCR 8-32 X .625 M HXW S
690	WR1X1466	SCR 8-32 T HXW 3/8 S
691	WR02X10593	BRACKET COND FAN (REAR)
725	WR87X10097	COMPRESSOR ASM MEI
726	WR82X10086	INSUL TUBE FOAM
729	WR62X79	CAPACITOR
730	WR84X10074	COND ASM FORMED
735	WR08X10068	OVERLOAD PTCR COMBO
736	WR2X8203	CLIP COMPRESSOR MOUNT
737	WR02X10099	GROMMET
738	WR2X7064	CLIP COND LOOP
740	WR86X96	DRYER
741	WR1X1779	STUD MTG COMPR
742	WR02X10587	SUPPORT CONDENSER
747	WR82X10073	INSULATION SIDE
749	WR17X10694	BAFFLE COND AIR
750	WR1X1786	SCREW 10-32 TR 1/2
751	WR17X11427	BASEPLATE HIGH SIDE
753	WR02X10521	BRKT COND FAN (MTG)
757	WR01X10252	SCR 10-32 TT HXW 5/16 S
762	WR14X10187	FOAM STRIP SE ADH
764	WR2X9000	CLIP, COND MNT
765	WR17X10695	BRACKET CONDENSER BAR
775	WR02X10047	COVER WATER LINE
776	WR02X10522	CLAMP TUBE
800	WR57X10040	WATER VALVE
801	WR55X10543	BOARD ASM MAIN CONTROL
805	WR2X3736	STR RELIEF
806	WR17X11625	TUBE PLASTIC
843	WR17X12077	COVER ENCLOSURE ASM
844	WR02X10569	INSULATOR MAIN BOARD