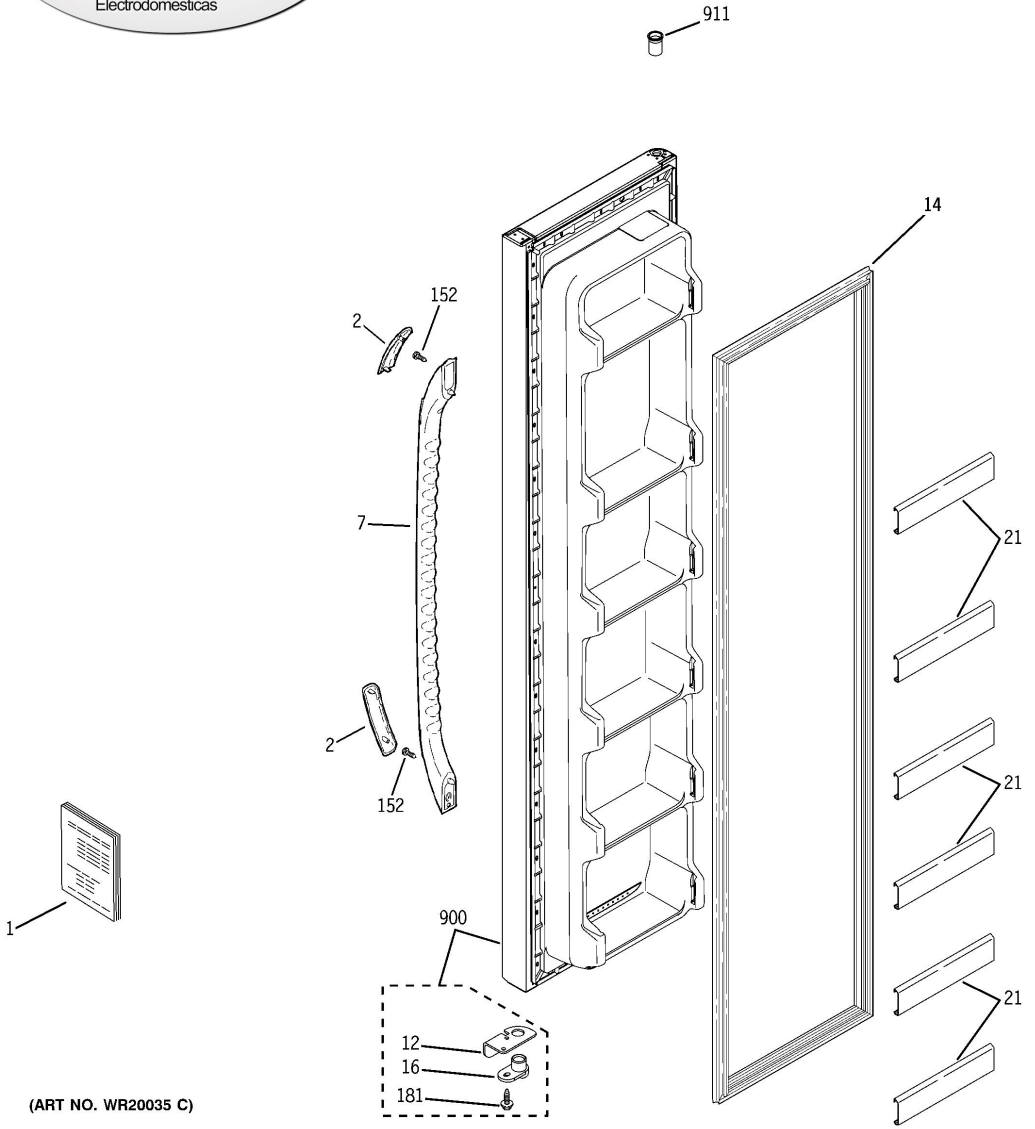


Refrigerador GE GSS20DBTGWW



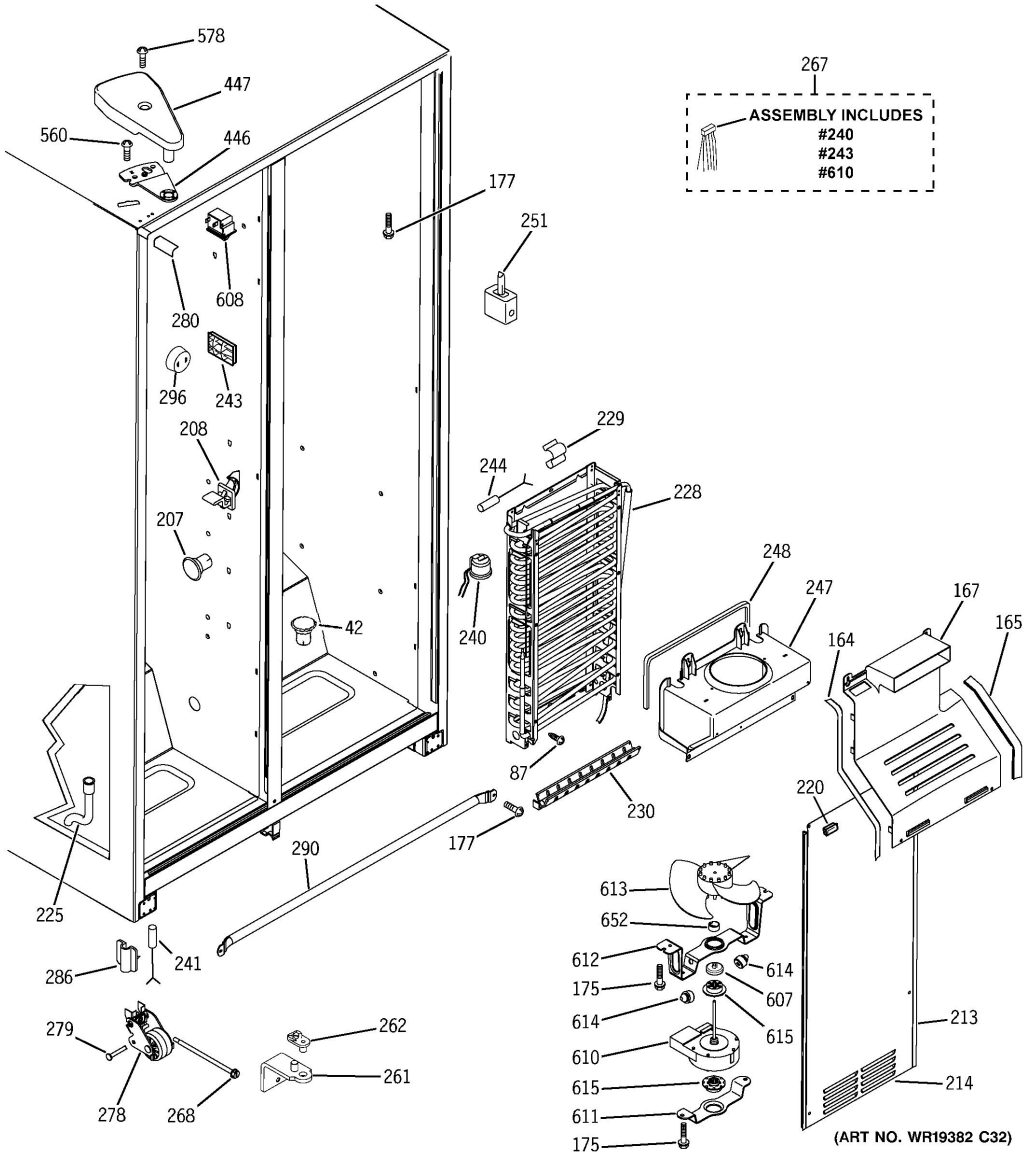
(ART NO. WR20035 C)



Refrigerador GE GSS20DBTGWW

Guía	N.P.	Descripción
1	31-61716	PM MINI MANUAL WIRING
1	49-60514	PM GUIDE OWNERS
2	WR12X10816	CAP HANDLE
2	WR12X10818	CAP HANDLE
7	WR12X10813	HANDLE SXS DOOR
7	WR12X10815	HANDLE SXS DOOR BQ
12	WR02X10576	PLATE DOOR STOP FZ
12	WR02X11475	PLATE DOOR STOP FZ
14	WR24X10131	GASKET DOOR FZ
16	WR02X12297	CAM & THIMBLE FZ
21	WR17X12066	FRONT DOOR SHELF FZ
152	WR01X10596	SCR 8-18 AB FLTR 5/8 S
181	WR01X10655	SCR 10-32 F HXW 3/4 S
900	WR78X11722	DOOR ASM FOAM FZ BQ
900	WR78X11723	DOOR ASM FOAM FZ WH
911	WR01X10201	THIMBLE TOP CLOSED

Refrigerador GE GSS20DBTGWW





## Refrigerador GE GSS20DBTGWW

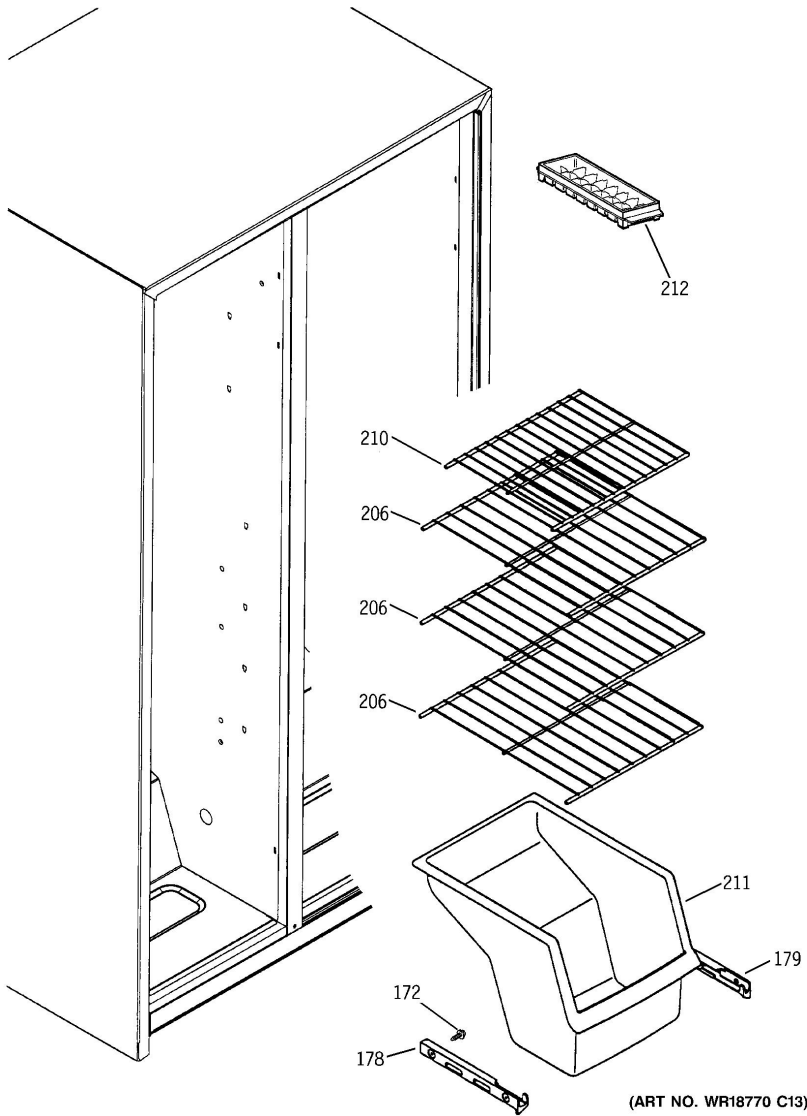
Guía	N.P.	Descripción
42	WR02X3139	PLUG BUTTON
87	WZ04X0241	SCR 8-18 AB PA 1/2 SS
164	WR14X10049	GASKET DUCT FZ
165	WR14X10048	GASKET DUCT FZ
167	WR17X12106	DUCT AIR FZ
175	WR01X10652	SCR 8-18 AB IHW 5/8 S
177	WR01X10606	SCR 8-18 CA HX 1/2 S
207	WR02X4676	GROMMET SHELF
208	WR02X11561	SUPPORT FZ
213	WR14X10054	GASKET COVER EVAP
214	WR17X12409	COVER EVAP
220	WR02X10694	PLUG LINER
225	WR02X11476	TUBE DRAIN
228	WR85X10023	LOW SIDE ASM
229	WR02X10552	CLIP EVAP THERMISTOR
230	WR51X10097	HEATER HARNESS DEF ASM
240	WR50X10079	THERMOSTAT DEF
241	WR55X10735	SENSOR TEMPERATURE
243	WR17X10842	GRILLE AIR SUPPLY
244	WR55X10737	SENSOR TEMPERATURE
247	WR17X12082	ORIFICE EVAP FAN
248	WR14X10050	GASKET FOAM
251	WR02X10632	TWIST SUPPORT
261	WR13X10313	FZ HINGE BTM & PIN ASM
262	WR02X11743	HINGE CAM RISER
267	WR23X10496	HARNESS FZ FAN HTR
268	WR01X10199	SCREW MOBILITY
278	WR02X12454	MOBILITY FRONT ASM



## Refrigerador GE GSS20DBTGWW

Guía	N.P.	Descripción
279	WR02X12254	PIN PIVOT ASM
280	WR02X10549	CAP CORNER OC WH
280	WR02X10613	CAP CORNER OC BQ
286	WR17X10728	THERMISTOR COVER FZ
290	WR17X11444	BAR CURB HANDLING
296	WR02X12034	COVER IM RECEPTACLE
446	WR13X10286	HINGE TOP & PIN ASM FZ
447	WR02X11477	COVER HINGE
447	WR02X11480	COVER HNG WHT
560	WR01X10650	SCR 12-24 CA HX 7/8 S
578	WR01X10379	SCREW HINGE COVER
607	WR02X10322	CAP DUST
608	WR23X10179	SWITCH LIGHT
610	WR60X10185	MOTOR EVAP DC
611	WR02X11622	BRACKET EVAP FAN BTM
612	WR02X11124	BRACKET EVAP FAN TOP
613	WR60X10208	BLADE EVAP FAN ASM
614	WR02X10540	BUMPER LID
615	WR02X11331	GROMMET EVAP FAN
652	WR02X12149	RING COMPRESSION

Refrigerador GE GSS20DBTGWW



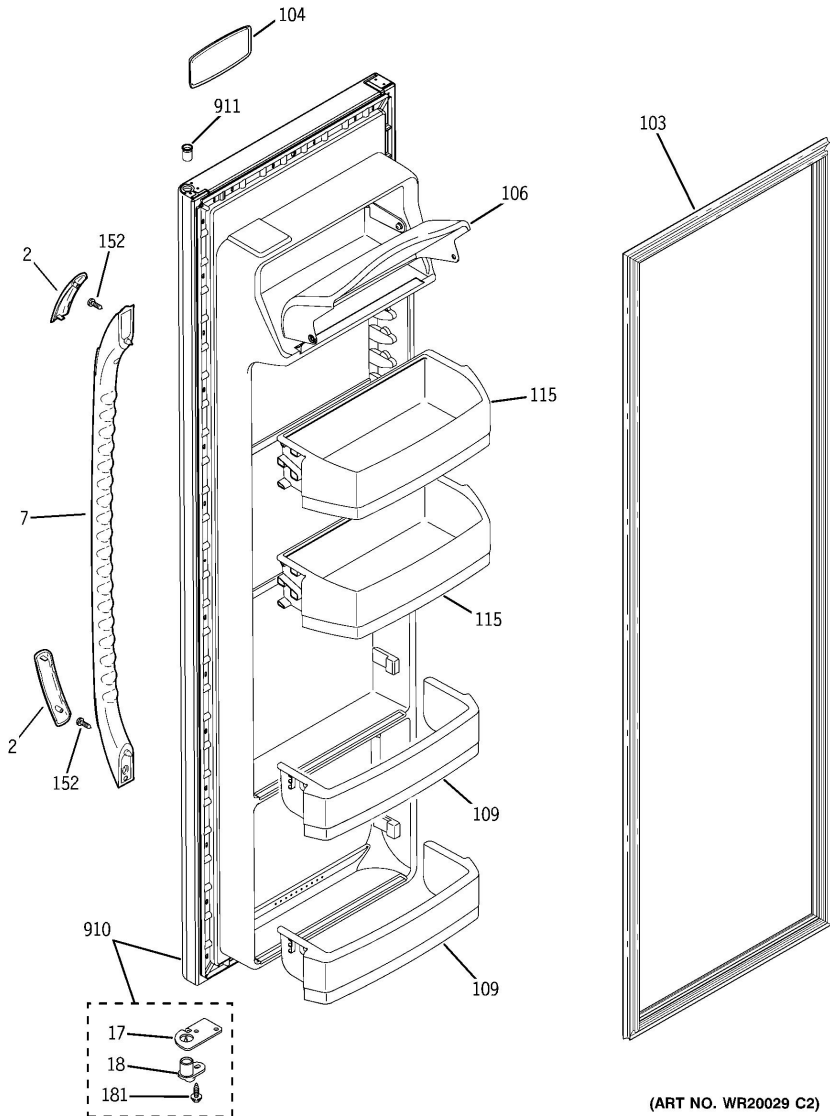
(ART NO. WR18770 C13)



## Refrigerador GE GSS20DBTGWW

Guía	N.P.	Descripción
172	WR01X10380	SCR 8-18 AB TSQ 5/8 SS
178	WR72X10134	SUPPORT SLIDE BASKET ASM
179	WR72X10097	SUPPORT SLIDE BASKET RH
206	WR71X10715	SHELF FZ
210	WR71X10721	SHELF FZ 3/4
211	WR21X10015	BASKET SLIDEOUT FZ WHITE
212	WR30X0311	TRAY ICE

Refrigerador GE GSS20DBTGWW



(ART NO. WR20029 C2)

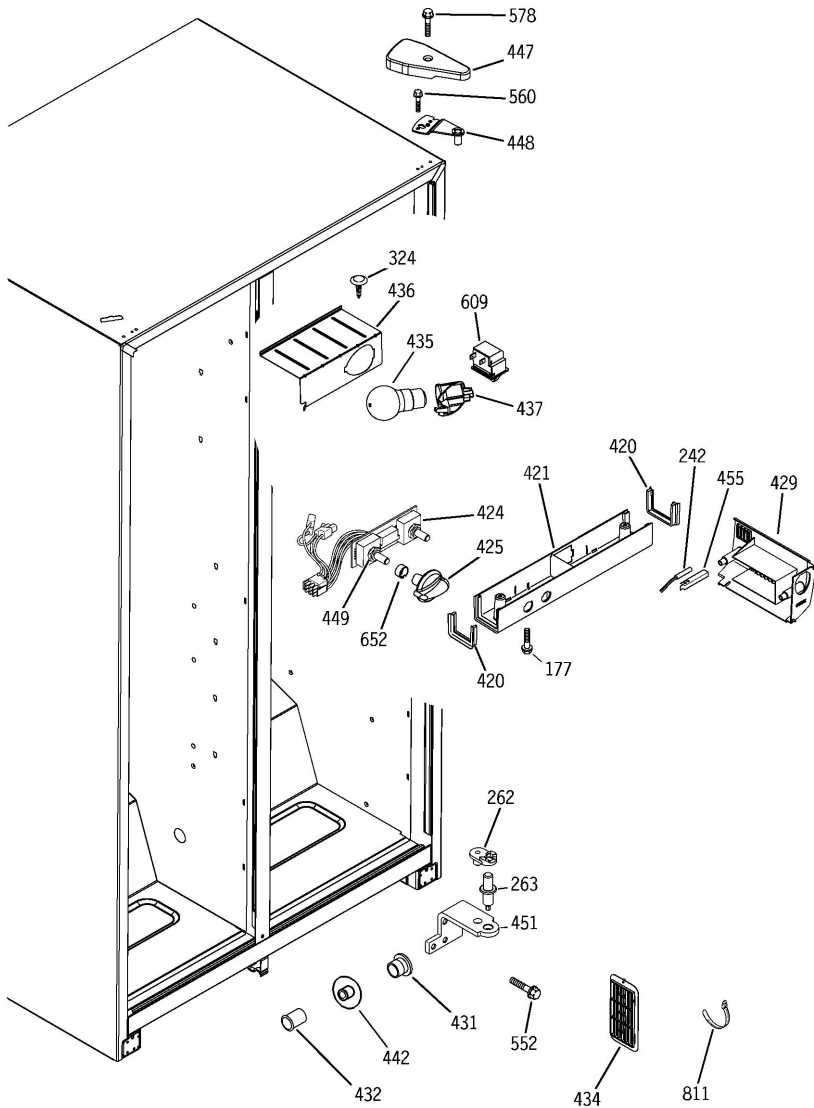




## Refrigerador GE GSS20DBTGWW

Guía	N.P.	Descripción
2	WR12X10816	CAP HANDLE
2	WR12X10818	CAP HANDLE
7	WR12X10813	HANDLE SXS DOOR
7	WR12X10815	HANDLE SXS DOOR BQ
17	WR02X11430	PLATE DOOR STOP FF
17	WR02X11474	PLATE DOOR STOP FF
18	WR02X11479	CAM & THIMBLE FF
103	WR24X10136	GASKET DOOR SXS
104	WR04X10143	NAMEPLATE GE
106	WR22X10013	DOOR DAIRY
109	WR71X10726	SHELF MODULE FIXED FF
115	WR71X10725	SHELF MODULE FF
152	WR01X10596	SCR 8-18 AB FLTR 5/8 S
181	WR01X10655	SCR 10-32 F HXW 3/4 S
910	WR78X11696	DOOR ASM FOAM FF WH
910	WR78X11711	DOOR ASM FOAM FF
911	WR01X10201	THIMBLE TOP CLOSED

Refrigerador GE GSS20DBTGWW

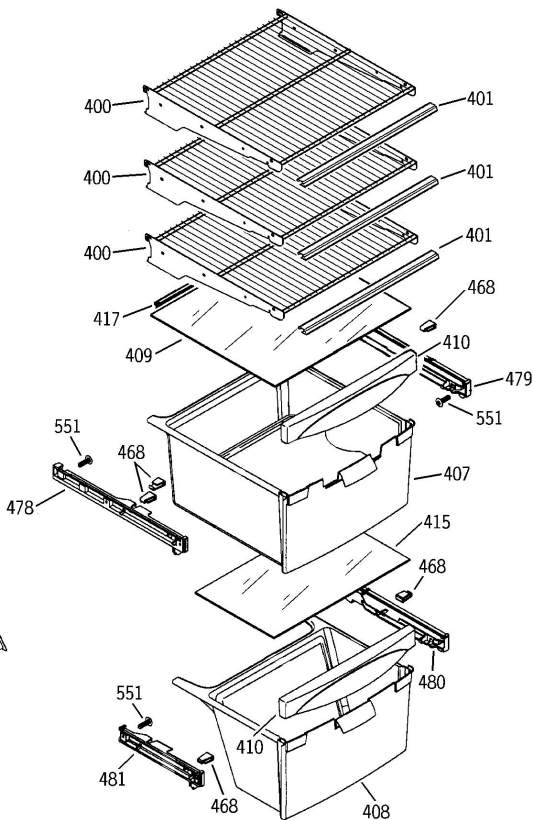
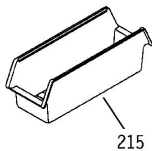
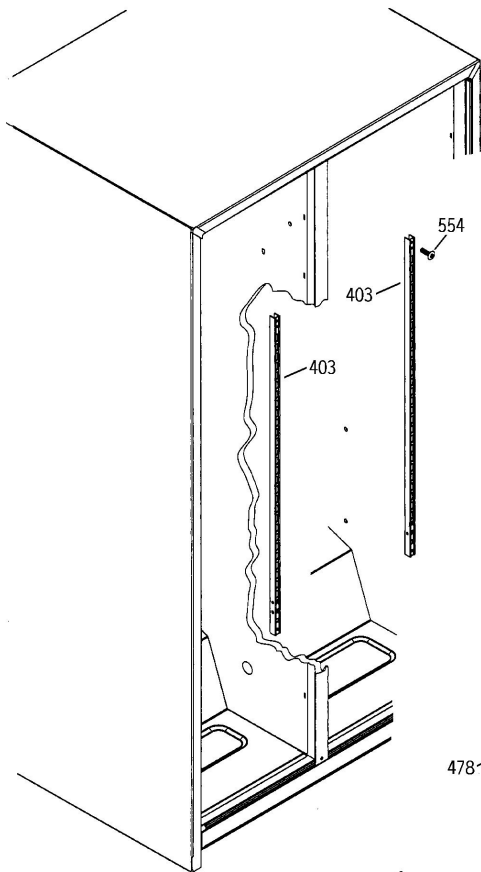




## Refrigerador GE GSS20DBTGWW

Guía	N.P.	Descripción
242	WR55X10736	SENSOR TEMPERATURE
262	WR02X11743	HINGE CAM RISER
263	WR02X12331	PIN HINGE BTM ADJ
324	WR02X7051	PLUG BUTTON SM WH
420	WR14X10044	GASKET CONTROL HOUSING
421	WR17X12182	HOUSING CONTROL
424	WR55X10590	BOARD ASM ENCODER
425	WR02X10570	KNOB CONTROL
429	WR02X11250	COVER DAMPER
429	WR02X12466	DAMPER COVER ASM
431	WR02X9299	CAP MULLION DUCT
432	WR02X10561	DUCT MULLION
434	WR17X10262	GRILLE AIR RETURN
435	60A	LAMP 60W APPL
436	WR02X10578	REFLECTOR LAMP
437	WR02X10591	SOCKET & TERMINAL
442	WR02X10763	COVER MEAT PAN DUCT
447	WR02X11477	COVER HINGE
447	WR02X11480	COVER HNG WHT
448	WR13X10285	HINGE TOP & PIN ASM FF
449	WR01X10191	NUT SPECIAL
451	WR13X10422	FF HINGE BTM & PIN ASM
455	WR02X12258	COVER SENSOR FF
552	WR01X10600	SCR 12-24 TT HX .811 S Z
578	WR01X10379	SCREW HINGE COVER
609	WR23X10143	SWITCHLIGHT
652	WR02X12149	RING COMPRESSION
811	WR02X11607	WIRE TIE

Refrigerador GE GSS20DBTGWW





Refrigerador GE GSS20DBTGWW

Guía	N.P.	Descripción
215	WR23X10526	BUCKET UTILITY
400	WR71X10729	SHELF CANT WIRE FF
401	WR38X10383	TRIM SHELF FF
403	WR71X10796	TRACK CANT SHELF
407	WR32X10158	PAN VEG
408	WR32X10159	PAN MEAT
409	WR32X10592	COVER PAN GLASS
410	WR17X12193	HANDLE PAN MEAT
415	WR32X10593	COVER PAN GLASS
417	WR14X10056	GASKET SHIELD LOWER
468	WR01X2048	BEARING SLIDE
478	WR72X0239	SLIDE ASM LH
479	WR72X0240	SLIDE ASM RH
480	WR72X0242	SLIDE ASM RH
481	WR72X0241	SLIDE ASM LH
551	WR01X10789	SCR 8-18 AB RNDW 5/8 SS
554	WR01X10601	SCR 10-24 TT IHXW 1.000





## Refrigerador GE GSS20DBTGWW

Guía	N.P.	Descripción
226	WR02X10558	CLIP DRAIN TUBE
257	WR02X12209	FASTENER BOARD
264	WR02X12765	WHEEL MOBILITY
265	WR01X10604	AXLE WHEEL
270	WR02X10974	PLUG & ADHESIVE ASM
462	WR01X10651	SCR 8-18 AB HXW 1/2 S
614	WR02X10540	BUMPER LID
616	WR82X10107	COVER ACCESS
618	WR02X10098	GROMMET COND FAN
626	WR23X10300	CORD POWER ASM
627	WR01X5278	CLAMP CABLE
628	WR17X11650	HSG/BRKT COND FAN
629	WR01X10653	SCR 8-18 B 1HW 1/2 SN
630	WR02X4097	PLUG BUTTON WH
650	WR60X10220	MOTOR COND FAN
651	WR60X10207	BLADE COND FAN ASM
652	WR02X12149	RING COMPRESSION
676	WZ04X0263	SCR 10-16 AB HXW 1/2
683	WR02X10562	FASTENER PUSH
684	WR01X10635	SCR 8-32 CA IHXW .625 S
691	WR02X11742	BRACKET COND FAN
724	WR02X11999	CLIP RETAINER MEI
725	WR87X10097	COMPRESSOR ASSEMBLY
727	WR08X10068	OVERLOAD PTCR COMBO
729	WR62X0079	CAPACITOR
730	WR84X10022	COND REPL KIT
736	WR02X8203	CLIP COMPRESSOR MOUNT
737	WR02X10099	GROMMET



## Refrigerador GE GSS20DBTGWW

Guía	N.P.	Descripción
738	WR02X7064	CLIP COND LOOP
740	WR86X96	DRYER
741	WR01X1779	STUD MTG COMPR
742	WR02X10587	SUPPORT CONDENSER
743	WR02X10588	SUPPORT CONDENSER
749	WR17X10694	BAFFLE COND AIR
750	WR01X1786	SCR 10-32 TR 1/2
751	WR17X10773	BASEPLATE HIGH SIDE
753	WR02X11621	BRKT FAN
757	WR01X10654	SCR 10-32 TT HXW 5/16 S
758	WD02X0323	SCREW 8-32 X 3/8 SPH
762	WR14X10053	FOAM STRIP SE ADH
764	WR02X9000	CLIP, COND MNT
765	WR17X10763	BRACKET CONDENSER BAR
801	WR55X10722	BOARD ASM MAIN CONTROL
843	WR17X12179	COVER ENCLOSURE