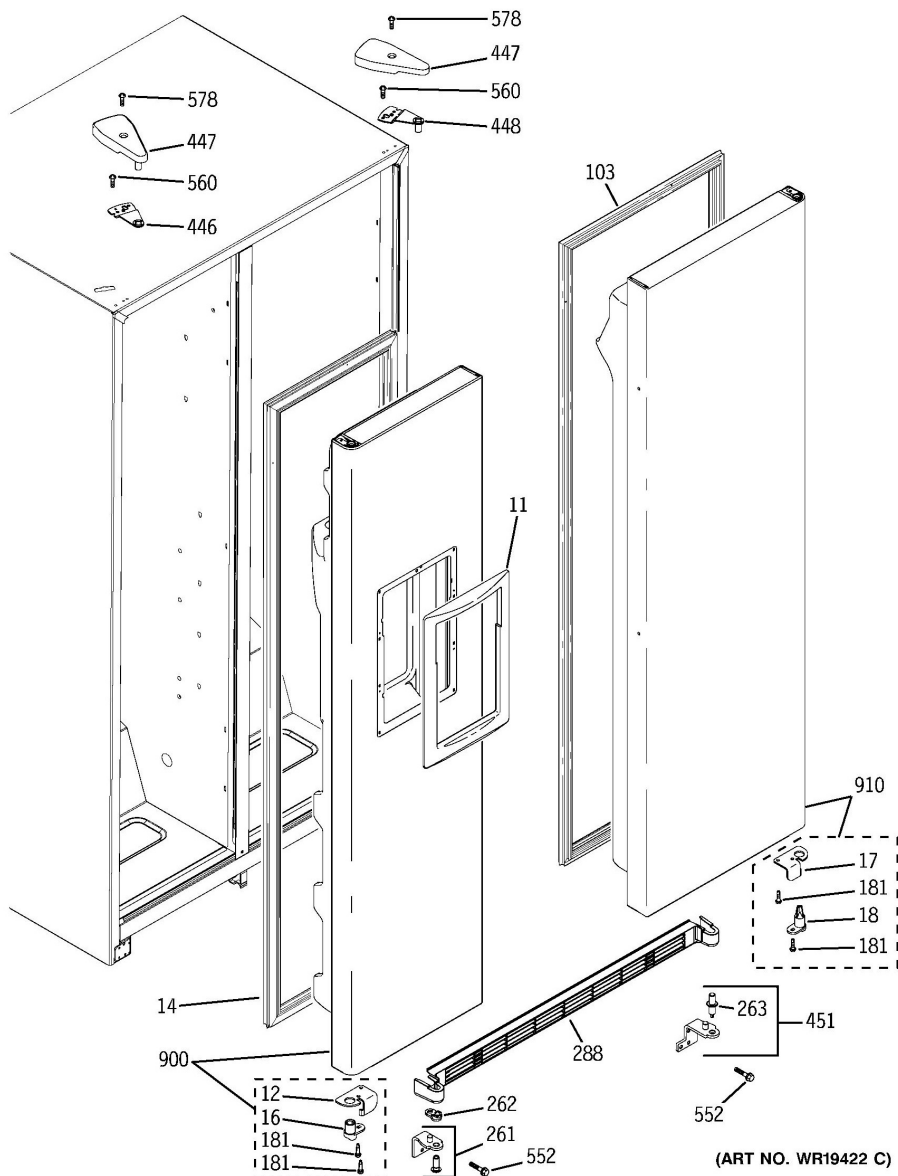


# Refrigerador GE GSS25JFMBWW

**USE THIS PAGE ONLY IF THE REFRIGERATOR DOORS HAVE BEEN RETROFITTED. TO DETERMINE THIS, PULL THE GASKET CORNER BACK AND LOOK AT THE ATTACHMENT METHOD. IF THE GASKET IS ATTACHED TO THE DOOR WITH SCREWS, THE REFRIGERATOR HAS NOT BEEN RETROFITTED.**



Distribuidor Autorizado

**SurteRápido.com**

Venta de Refacciones  
Electrodomesticas

## Refrigerador GE GSS25JFMBWW

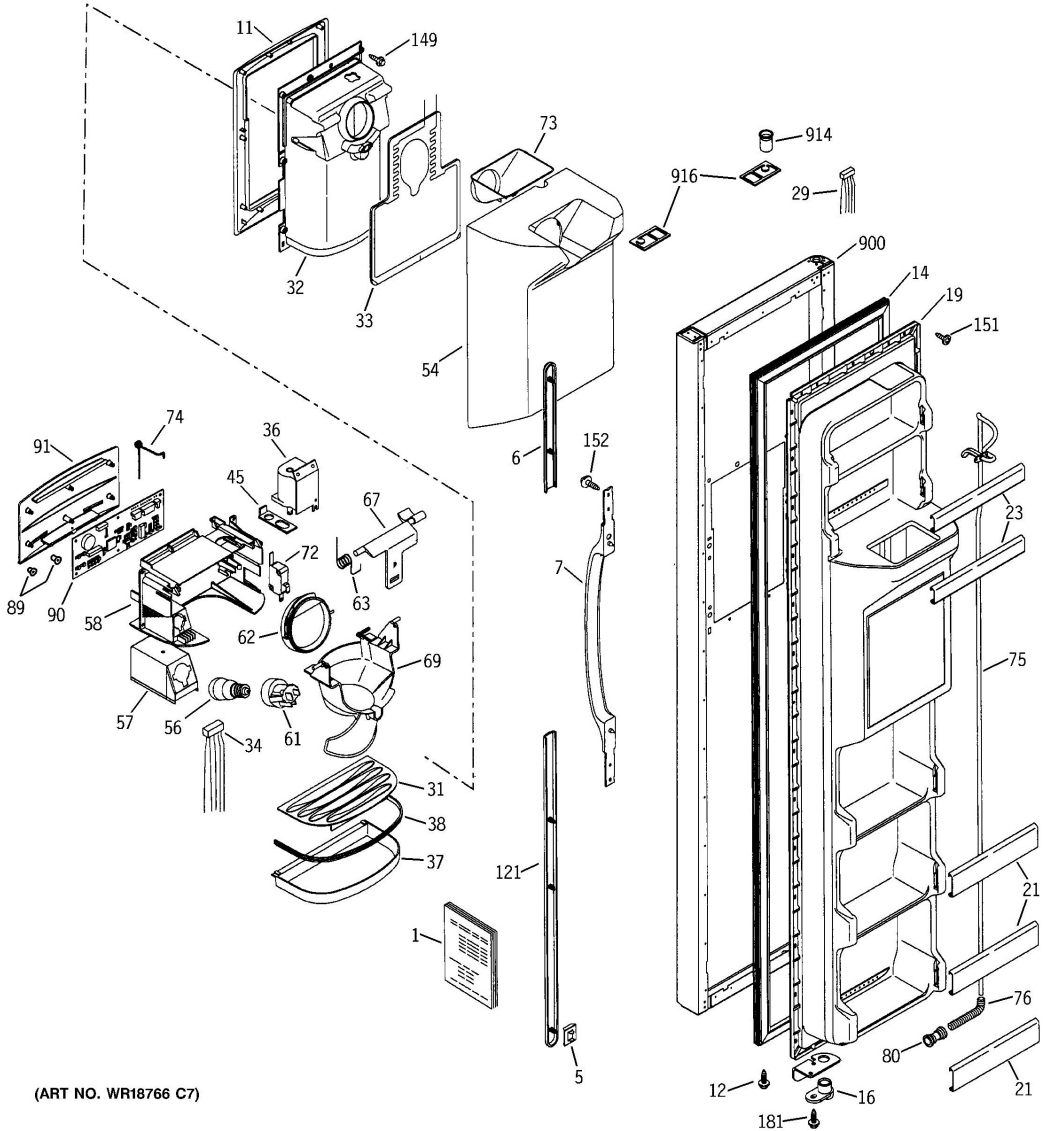
<b>No. Ilus.</b>	<b>DESCRIPCIÓN</b>	<b>No. de Parte</b>
<b>11</b>	TRIM RECESS DISP WH	WR38X10199
<b>12</b>	PLATE DOOR STOP FZ	WR02X10576
<b>14</b>	GASKET DOOR FZ WH	WR24X10053
<b>16</b>	HINGE CAM & THIMBLE FZ	WR02X10566
<b>17</b>	PLATE DOOR STOP FF WH	WR02X10575
<b>18</b>	HINGE CAM & THIMBLE FF	WR02X10567
<b>103</b>	GASKET DOOR FF WH	WR24X10054
<b>181</b>	SCR 10-32 TT HXW 3/4 S	WR01X10215
<b>261</b>	THRUST WASHER	WR01X10202
<b>261</b>	HINGE BTM PIN & CAM ASM	WR13X10120
<b>262</b>	HINGE CAM RISER	WR02X10568
<b>263</b>	PIN HINGE BTM ADJ	WR02X10592
<b>288</b>	GRILLE BASE ASM WH	WR74X10054
<b>446</b>	HINGE TOP ASM FZ	WR13X10121
<b>447</b>	COVER HINGE WH	WR02X10555
<b>448</b>	HINGE TOP ASM FF	WR13X10122
<b>451</b>	HINGE BTM & PIN ASM	WR13X10154
<b>552</b>	SCR 12-24 TT IH .811 S	WR01X10034
<b>560</b>	SCR 12-24 CA HX 7/8 S	WR01X10195
<b>578</b>	SCR 8-32 MA PA 3/8 S	WZ02X0503
<b>900</b>	DOOR FOAM ASM FZ WH	WR78X10338
<b>910</b>	DOOR FOAM ASM FF WH	WR78X10337

Distribuidor Autorizado

SurteRápido.com

Venta de Refacciones  
Electrodomesticas

# Refrigerador GE GSS25JFMBWW



(ART NO. WR18766 C7)

Distribuidor Autorizado

**SurteRápido.com**

Venta de Refacciones  
Electrodomesticas

## Refrigerador GE GSS25JFMBWW

<b>No. Ilus.</b>	<b>DESCRIPCIÓN</b>	<b>No. de Parte</b>
1	PM MINI MANUAL WIRING	31-51351
1	PM GUIDE OWNERS	49-60087
5	DART CLIP	WR02X10431
6	TAIL HANDLE SXS WH	WR12X10388
7	HANDLE SXS WH	WR12X10332
11	TRIM RECESS DISP WH	WR38X10199
12	PLATE DOOR STOP FZ	WR02X10576
14	GASKET DOOR FZ WH	WR24X10053
16	HINGE CAM & THIMBLE FZ	WR02X10566
19	DOOR INNER FZ DISP	WR77X10035
21	FRONT DOOR SHELF	WR17X10709
23	FRONT DOOR SHELF	WR17X10710
29	HARNESS COMM FZ DR	WR23X10219
31	GRILL RECESS WH	WR17X10712
32	RECESS ICE DISPENSER WH	WR17X10722
33	HEATER RECESS	WR51X10054
34	HARNESS RECESS DISP	WR23X10166
36	SOLENOID ASM	WR62X10020
37	CUP RECESS WH	WR02X10559
38	GASKET CUP RECESS	WR14X10046
45	RETAINER RECESS DOOR	WR02X8818
54	INSULATION RECESS	WR17X10720
56	BULB RECS 12V	WR02X10675
57	REFLECTOR LIGHT	WR02X10670
58	HOUSING SHIELD DISP WH	WR17X10813
61	LAMP SOCKET	WR02X9561

Distribuidor Autorizado

**SurteRápido.com**

Venta de Refacciones  
Electrodomesticas

## Refrigerador GE GSS25JFMBWW

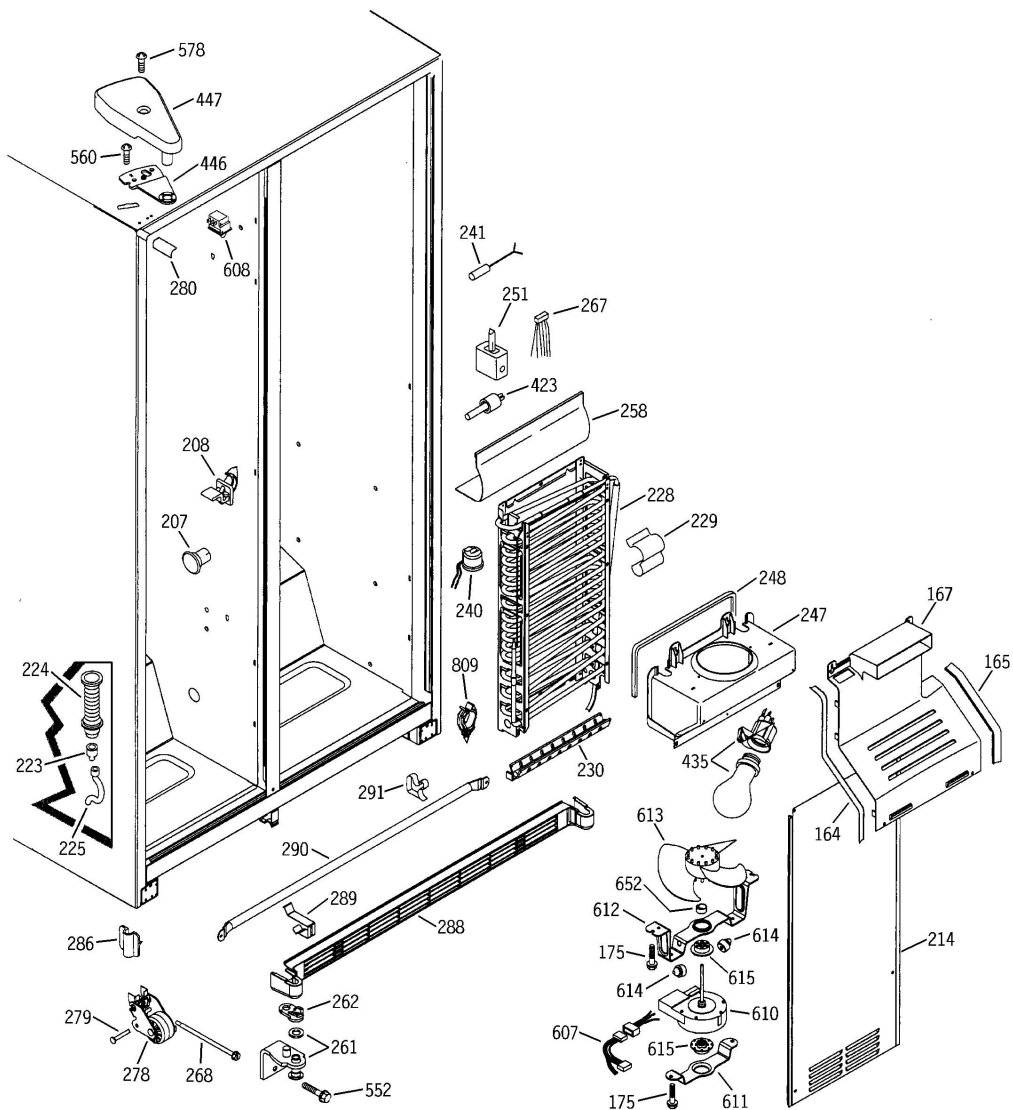
<b>No. Ilus.</b>	<b>DESCRIPCIÓN</b>	<b>No. de Parte</b>
<b>62</b>	DOOR RECESS ASM	WR17X3093
<b>63</b>	SPRING RECESS DOOR	WR02X10585
<b>67</b>	CRANK DOOR RECESS	WR17X10706
<b>69</b>	FUNNEL ICE DISP WH	WR17X10711
<b>72</b>	SWITCH	WR23X10171
<b>73</b>	CHUTE ICE ASM	WR17X10736
<b>74</b>	SPRING FUNNEL	WR02X10584
<b>75</b>	TUBE FORMED ASM WH	WR17X10833
<b>76</b>	SLEEVE WATER LINE	WR02X8933
<b>80</b>	UNION CONNECTOR	WR02X10471
<b>89</b>	PIN SWITCH SHORT	WR02X10704
<b>89</b>	PIN SWITCH TALL	WR02X10705
<b>90</b>	BOARD ASM DISP	WR55X10052
<b>91</b>	BRACKET & OVERLAY WH	WR55X10055
<b>121</b>	TAIL HANDLE SXS WH	WR12X10389
<b>149</b>	SCR 8-18 HI/LO 5/8	WR01X10196
<b>151</b>	SCR 8-18 AB IHXW 1/2 S	WR01X1554
<b>152</b>	SCR 8-18 AB FLTR 5/8 S	WR01X10038
<b>181</b>	SCR 10-32 TT HXW 3/4 S	WR01X10215
<b>900</b>	DOOR FOAM ASM FZ WH	WR78X10338
<b>914</b>	THIMBLE DOOR TOP	WR01X10200
<b>916</b>	COVER ASM CORNER WH	WR02X10553

Distribuidor Autorizado

SurteRápido.com

Venta de Refacciones  
Electrodomesticas

# Refrigerador GE GSS25JFMBWW



(ART NO. WR18786 C)

Distribuidor Autorizado

**SurteRápido.com**

Venta de Refacciones  
Electrodomesticas

## Refrigerador GE GSS25JFMBWW

<b>No. Ilus.</b>	<b>DESCRIPCIÓN</b>	<b>No. de Parte</b>
164	GASKET DUCT FZ	WR14X10049
165	GASKET DUCT FZ	WR14X10048
167	DUCT AIR FZ	WR17X10705
175	SCR 8-18 AB IHW 5/8 S	WR01X10035
175	SCR 8-18 AB IHW 5/8 S	WR01X2023
207	GROMMET SHELF	WR02X4676
208	SUPPORT SHELF	WR02X4674
214	CLIP EVAP COVER	WR01X10064
214	GASKET COVER EVAP	WR14X10045
214	COVER EVAP	WR17X10701
223	TUBE DRAIN COUPLING	WR02X10698
224	GROMMET DRAIN TUBE	WR02X10563
225	CLAMP HOSE	WR01X5042
225	DRAIN TUBE ASM	WR02X10699
228	EVAP REPL KIT	WR85X10022
229	CLIP EVAP THERMISTOR	WR02X10552
230	HEATER & BRACKET ASM	WR51X10055
240	THERMOSTAT DEFROST	WR50X10015
241	SENSOR TEMP	WR50X10027
247	ORIFICE EVAP FAN	WR17X10721
248	GASKET FOAM	WR14X10050
251	TWIST SUPPORT	WR02X10632
258	SHIELD LIGHT FZ	WR17X10724
261	THRUST WASHER	WR01X10202
261	HINGE BTM PIN & CAM ASM	WR13X10120
262	HINGE CAM RISER	WR02X10568

Distribuidor Autorizado

**SurteRápido.com**

Venta de Refacciones  
Electrodomesticas

## Refrigerador GE GSS25JFMBWW

<b>No. Ilus.</b>	<b>DESCRIPCIÓN</b>	<b>No. de Parte</b>
267	HARNES FZ LT HTR	WR23X10221
268	SCREW MOBILITY	WR01X10199
278	MOBILITY FRONT ASM	WR02X10572
279	PIN PIVOT ASM	WR02X10574
280	CAP CORNER OC WH	WR02X10549
286	THERMISTOR COVER FZ	WR17X10728
288	GRILLE BASE ASM WH	WR74X10054
289	CLIP GRILLE	WR02X10560
290	BAR CURB HANDLEING	WR17X10692
291	SUPPORT CURB BAR	WR02X10589
423	SUPPORT SHIELD TOP	WR02X6347
435	LAMP 60W APPL	60A
435	LAMP 40W 120V	STD372402
435	SOCKET & TERMINAL	WR02X10591
446	HINGE TOP ASM FZ	WR13X10121
447	COVER HINGE WH	WR02X10555
552	SCR 12-24 TT IH .811 S	WR01X10034
560	SCR 12-24 CA HX 7/8 S	WR01X10195
578	SCR 8-32 MA PA 3/8 S	WZ02X0503
607	HARNES FAN EVAP	WR23X10215
608	SWITCH LIGHT	WR23X10161
610	MOTOR DC EVAP FAN	WR60X10043
611	BRACKET EVAP FAN BTM	WR02X10764
612	BRACKET EVAP FAN	WR02X10547
613	BLADE EVAP FAN ASM	WR60X10055
614	BUMPER LID	WR02X10540



Distribuidor Autorizado



Venta de Refacciones  
Electrodomesticas

## Refrigerador GE GSS25JFMBWW

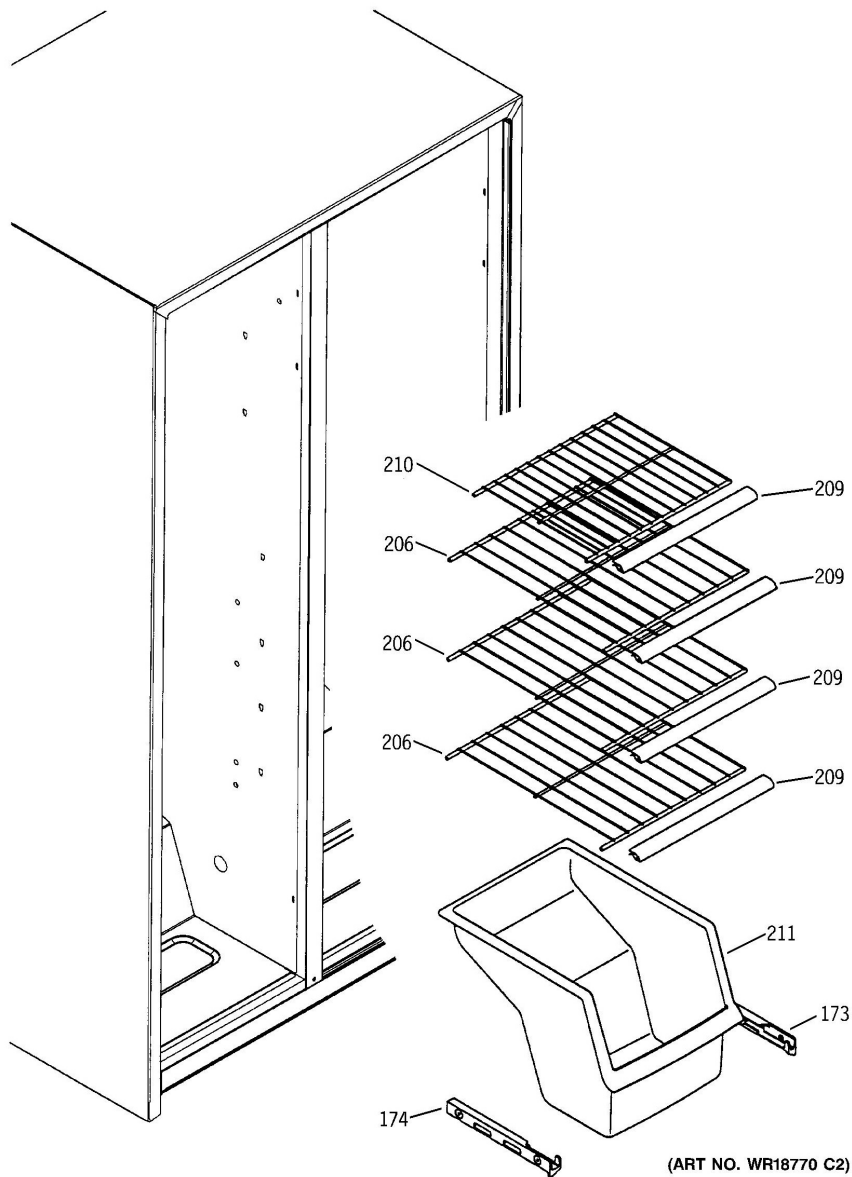
<b><u>No. Ilus.</u></b>	<b><u>DESCRIPCIÓN</u></b>	<b><u>No. de Parte</u></b>
<b>615</b>	GROMMET EVAP FAN	WR02X10519
<b>652</b>	RING COMPRESSION	WR02X10509
<b>809</b>	FASTENER WATER TUBE	WR01X1936

Distribuidor Autorizado

SurteRápido.com

Venta de Refacciones  
Electrodomesticas

# Refrigerador GE GSS25JFMBWW



(ART NO. WR18770 C2)

Distribuidor Autorizado

**SurteRápido.com**

Venta de Refacciones  
Electrodomesticas

## Refrigerador GE GSS25JFMBWW

<b>No. Ilus.</b>	<b>DESCRIPCIÓN</b>	<b>No. de Parte</b>
<b>173</b>	SUPPORT SLIDE BASKET RH	WR72X10053
<b>174</b>	SUPPORT SLIDE BASKET LH	WR72X10052
<b>206</b>	SHELF FZ	WR71X1936
<b>209</b>	TRIM SHELF WIRE FZ	WR38X10200
<b>210</b>	SHELF FZ 3/4	WR71X10230
<b>211</b>	BASKET SLIDEOUT FZ WHITE	WR21X10016

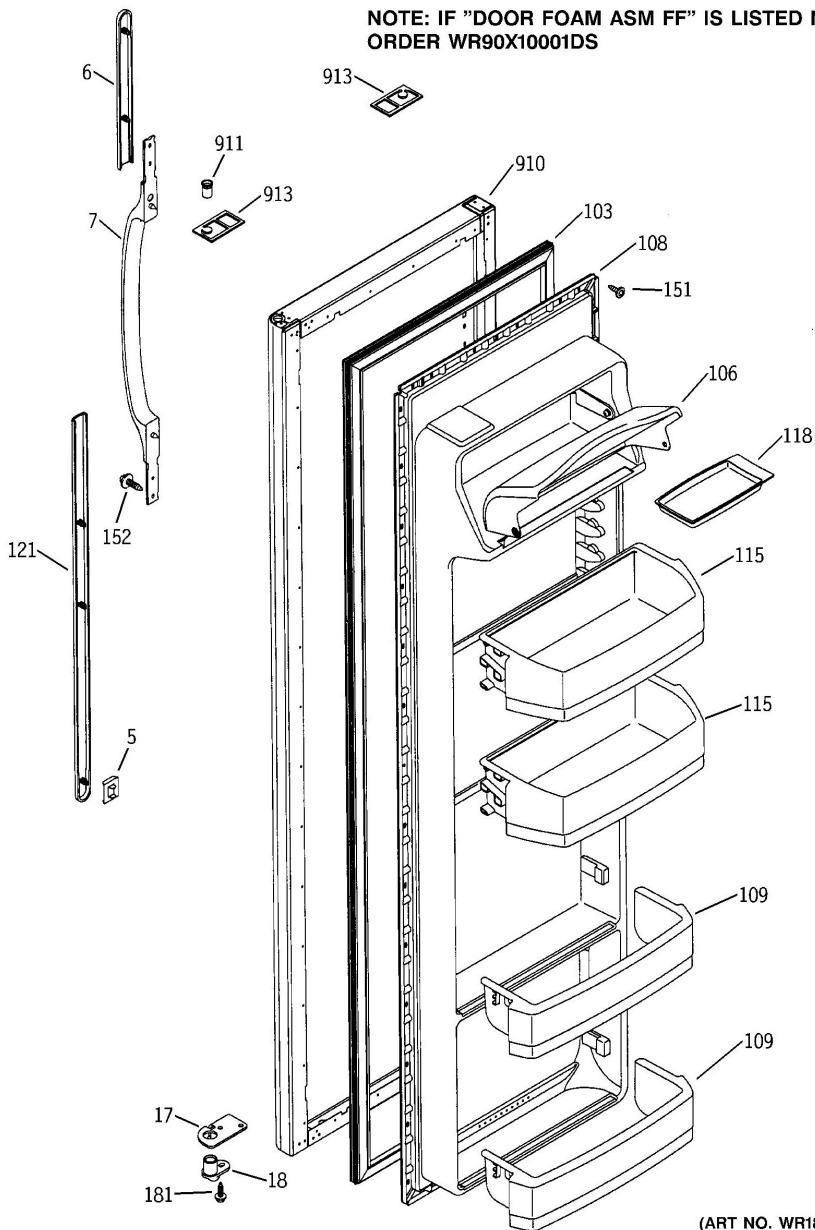
Distribuidor Autorizado

SurteRápido.com

Venta de Refacciones  
Electrodomesticas

# Refrigerador GE GSS25JFMBWW

**NOTE: IF "DOOR FOAM ASM FF" IS LISTED NLA  
ORDER WR90X10001DS**



(ART NO. WR18767 C25)

Distribuidor Autorizado

**SurteRápido.com**

Venta de Refacciones  
Electrodomesticas

## Refrigerador GE GSS25JFMBWW

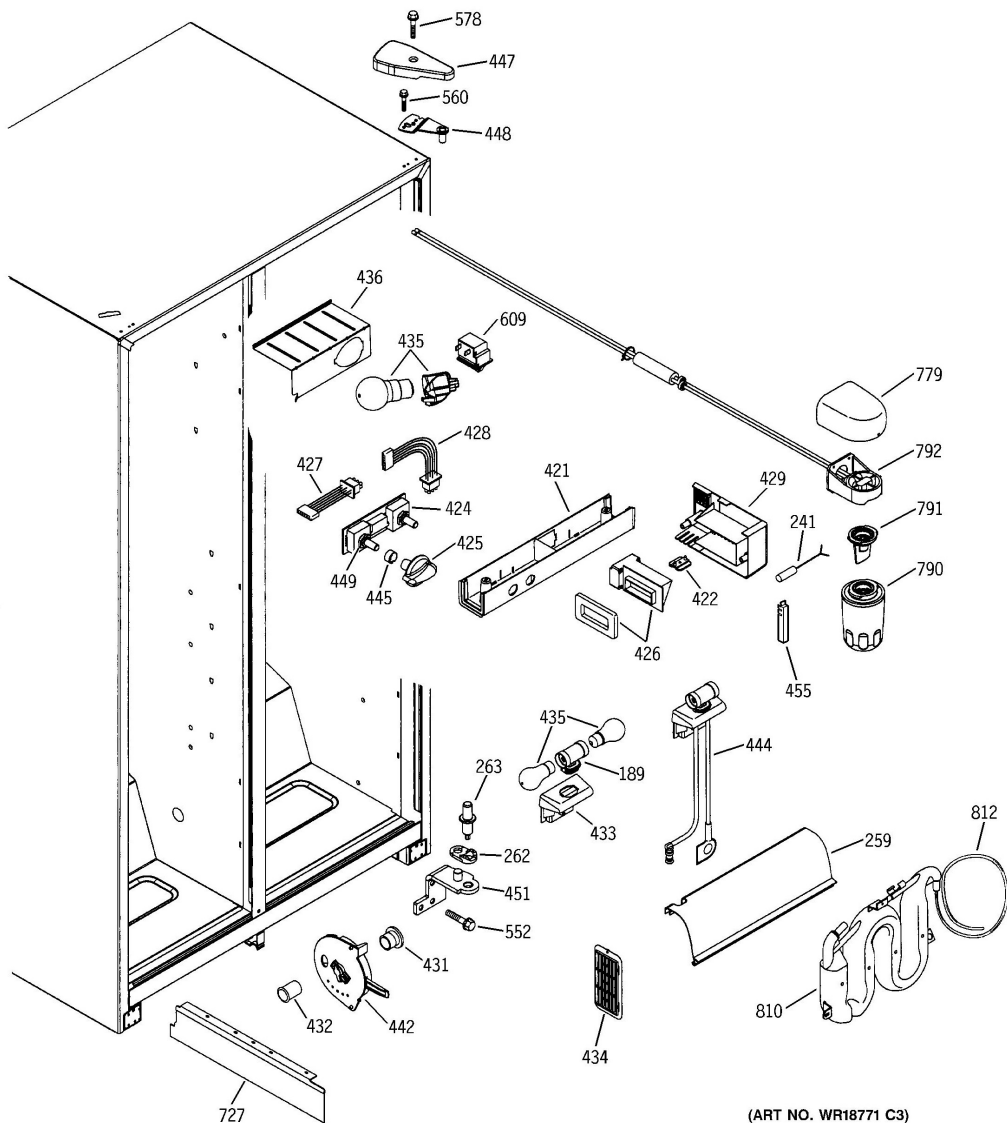
<b>No. Ilus.</b>	<b>DESCRIPCIÓN</b>	<b>No. de Parte</b>
<b>5</b>	DART CLIP	WR02X10431
<b>6</b>	TAIL HANDLE SXS WH	WR12X10388
<b>7</b>	HANDLE SXS WH	WR12X10332
<b>17</b>	PLATE DOOR STOP FF WH	WR02X10575
<b>18</b>	HINGE CAM & THIMBLE FF	WR02X10567
<b>103</b>	GASKET DOOR FF WH	WR24X10054
<b>106</b>	DOOR DAIRY	WR22X10012
<b>108</b>	DOOR INNER FF	WR77X10034
<b>109</b>	SHELF MODULE FIXED FF	WR71X10232
<b>115</b>	SHELF MODULE FF	WR71X10231
<b>118</b>	BUTTER DISH	WR19X5003
<b>121</b>	TAIL HANDLE SXS WH	WR12X10389
<b>151</b>	SCR 8-18 AB IHXW 1/2 S	WR01X1554
<b>152</b>	SCR 8-18 AB FLTR 5/8 S	WR01X10038
<b>181</b>	SCR 10-32 TT HXW 3/4 S	WR01X10215
<b>910</b>	DOOR FOAM ASM FF WH	WR78X10337
<b>911</b>	THIMBLE TOP CLOSED	WR01X10201
<b>913</b>	COVER ASM CORNER WH	WR02X10554

Distribuidor Autorizado

SurteRápido.com

Venta de Refacciones  
Electrodomesticas

# Refrigerador GE GSS25JFMBWW



(ART NO. WR18771 C3)

Distribuidor Autorizado

**SurteRápido.com**

Venta de Refacciones  
Electrodomesticas

## Refrigerador GE GSS25JFMBWW

<b>No. Ilus.</b>	<b>DESCRIPCIÓN</b>	<b>No. de Parte</b>
189	SOCKET LIGHT	WR02X9243
241	SENSOR TEMP	WR50X10027
259	SHIELD LIGHT LOWER	WR17X10725
262	HINGE CAM RISER	WR02X10568
263	PIN HINGE BTM ADJ	WR02X10592
421	GASKET CONTROL HOUSING	WR14X10044
421	HOUSING CONTROL	WR17X10716
422	CLIP DAMPER COVER	WR02X10546
424	BOARD ASM ENCODER	WR55X10040
425	KNOB CONTROL	WR02X10570
426	DAMPER & GASKET ASM	WR09X10050
426	GASKET DAMPER	WR14X10047
427	HARNESS CONTROL TOP	WR23X10165
428	HARNESS LT & SW	WR23X10156
429	COVER DAMPER	WR02X10618
431	CAP MULLION DUCT	WR02X9299
432	DUCT MULLION	WR02X10561
433	HOUSING LAMP SOCKET	WR02X9239
434	GRILLE AIR RETURN	WR17X10262
435	LAMP 60W APPL	60A
435	LAMP 40W 120V	STD372402
435	SOCKET & TERMINAL	WR02X10591
436	REFLECTOR LAMP	WR02X10578
442	CONTROL MEAT PAN ASM	WR17X10060
444	HOUSING LIGHT LWR ASM	WR23X10159
445	RING COMPRESSION	WR02X10581

Distribuidor Autorizado

**SurteRápido.com**

Venta de Refacciones  
Electrodomesticas



## Refrigerador GE GSS25JFMBWW

<b>No. Ilus.</b>	<b>DESCRIPCIÓN</b>	<b>No. de Parte</b>
<b>447</b>	COVER HINGE WH	WR02X10555
<b>448</b>	HINGE TOP ASM FF	WR13X10122
<b>449</b>	NUT SPECIAL	WR01X10191
<b>451</b>	HINGE BTM & PIN ASM	WR13X10154
<b>455</b>	COVER SENSOR FF	WR02X10622
<b>552</b>	SCR 12-24 TT IH .811 S	WR01X10034
<b>560</b>	SCR 12-24 CA HX 7/8 S	WR01X10195
<b>578</b>	SCR 8-32 MA PA 3/8 S	WZ02X0503
<b>609</b>	SWITCH LIGHT	WR23X10162
<b>727</b>	SEPARATOR AIR HISIDE	WR17X10723
<b>779</b>	COVER WATER FILTER	WR02X10621
<b>790</b>	FILTER CANISTER	GWF
<b>791</b>	PLUG BYPASS FILTER	WR02X10577
<b>792</b>	FILTER ASM AND TUBE	WR17X11028
<b>810</b>	WATER TANK & TUBE ASM	WR17X10734
<b>812</b>	TUBE PLASTIC	WR17X10732

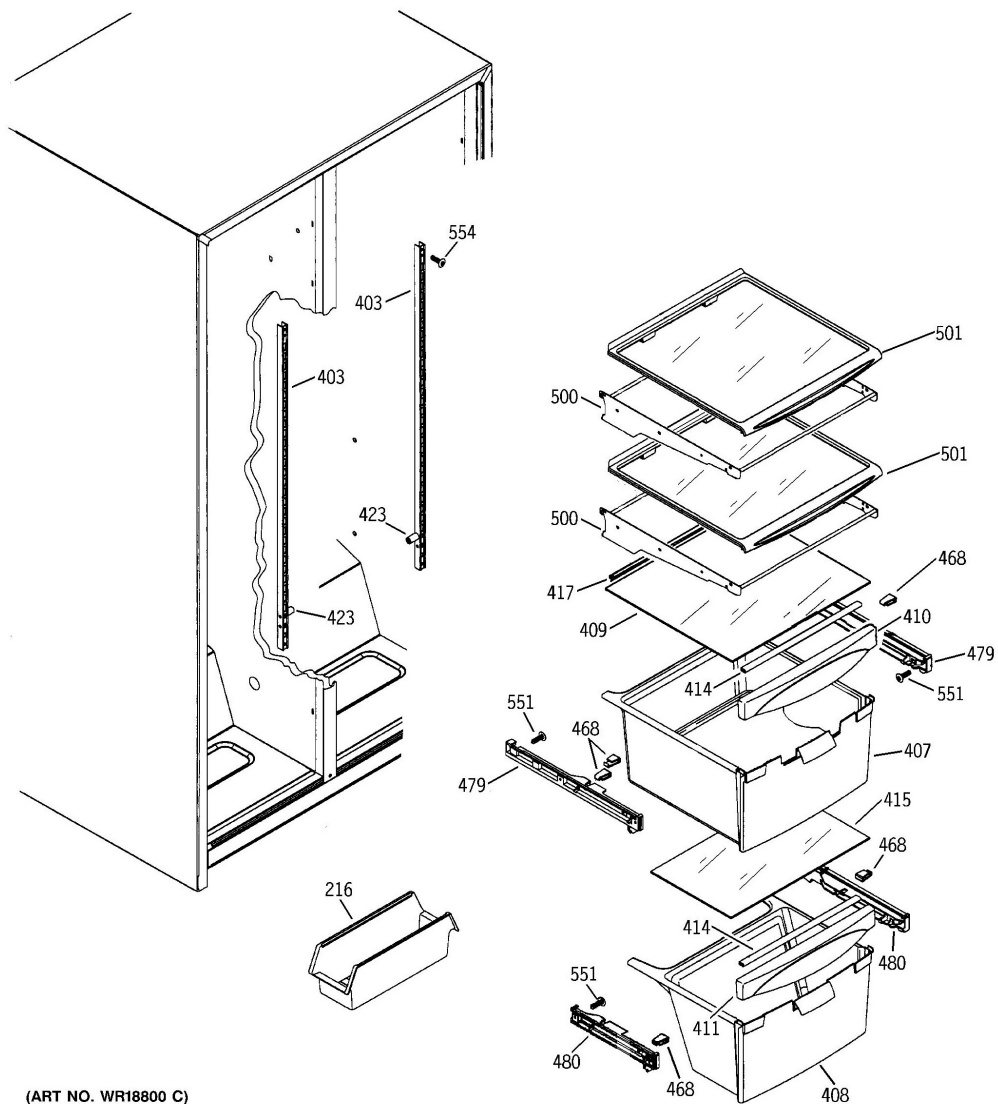


Distribuidor Autorizado

SurteRápido.com

Venta de Refacciones  
Electrodomesticas

# Refrigerador GE GSS25JFMBWW



(ART NO. WR18800 C)

Distribuidor Autorizado

**SurteRápido.com**

Venta de Refacciones  
Electrodomesticas



## Refrigerador GE GSS25JFMBWW

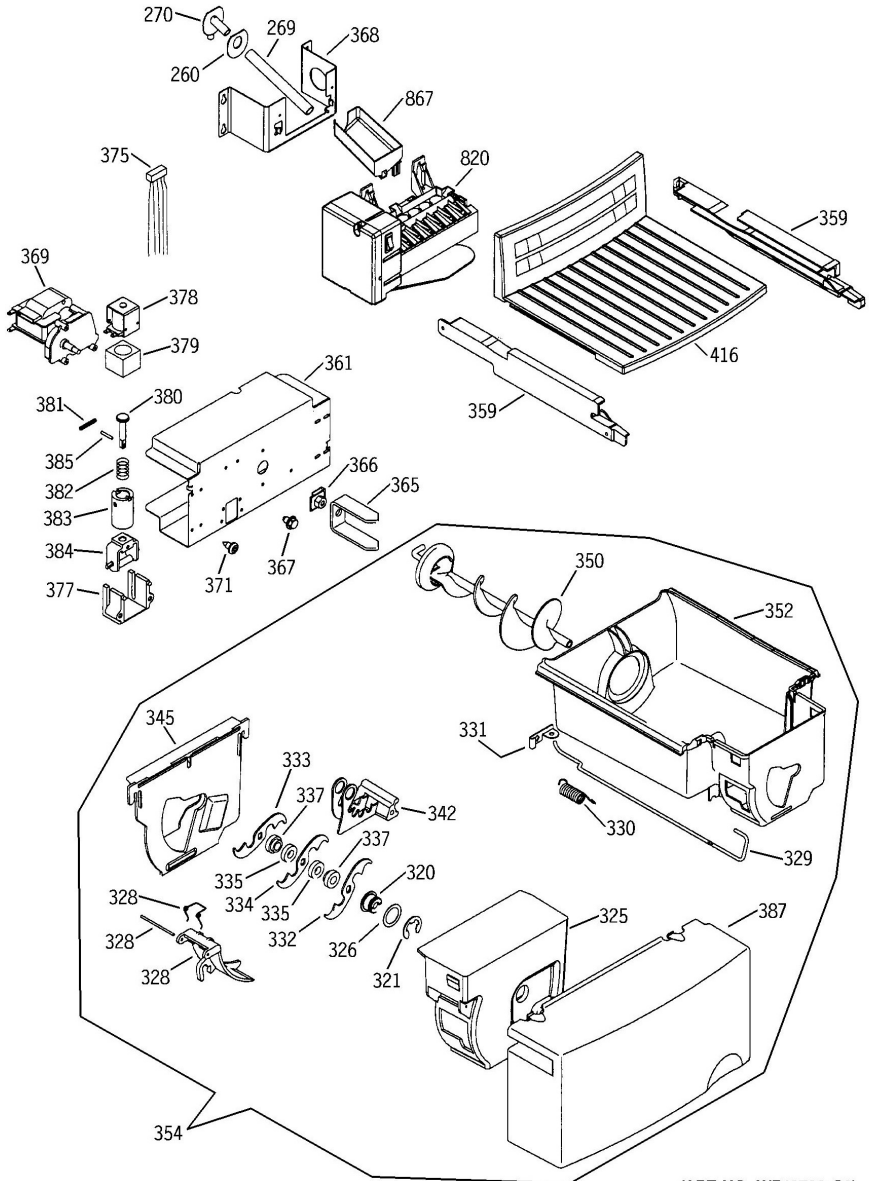
<b>No. Ilus.</b>	<b>DESCRIPCIÓN</b>	<b>No. de Parte</b>
216	BUCKET UTILITY CLR	WR32X1575
403	TRACK CANT SHELF	WR72X0254
407	PAN VEG	WR32X10133
408	PAN MEAT	WR32X10131
409	COVER PAN GLASS	WR32X10130
410	HANDLE PAN VEG/MEAT	WR17X10826
411	HANDLE PAN MEAT	WR17X10713
414	GASKET PAN COVER FRT	WR14X10084
415	COVER PAN GLASS	WR32X10129
417	GASKET SHIELD LOWER	WR14X10052
423	SUPPORT SHIELD TOP	WR02X6347
468	BEARING SLIDE	WR01X2048
479	SLIDE ASM LH	WR72X0239
479	SLIDE ASM RH	WR72X0240
480	SLIDE ASM LH	WR72X0241
480	SLIDE ASM RH	WR72X0242
500	SHELF CANT STAT	WR71X10238
501	SHELF ENCAP STAT	WR32X10142
551	SCR 8-18 AB RNDW 5/8 SS	WZ04X0244
554	SCR 10-24 TR HXW I S	WR01X2141

Distribuidor Autorizado

SurteRápido.com

Venta de Refacciones  
Electrodomesticas

# Refrigerador GE GSS25JFMBWW



(ART NO. WR18782 C2)

Distribuidor Autorizado

**SurteRápido.com**

Venta de Refacciones  
Electrodomesticas

## Refrigerador GE GSS25JFMBWW

<b>No. Ilus.</b>	<b>DESCRIPCIÓN</b>	<b>No. de Parte</b>
<b>260</b>	GASKET DONUT	WR02X9223
<b>269</b>	TUBE IM FILL	WR02X10960
<b>270</b>	GROMMET WATER FILL	WR02X10564
<b>320</b>	NUT AUGER FRT DISP	WR01X10189
<b>321</b>	RETAINER RING E	WR01X1367
<b>325</b>	HOUSING CRUSHER DISP	WR17X10717
<b>326</b>	WASHER	WR01X1366
<b>328</b>	PIN DEFLECTOR DISP	WR02X4143
<b>328</b>	SPRING ICE DEFLECTOR	WR02X4561
<b>328</b>	DEFLECTOR ICE DISP	WR17X10703
<b>329</b>	WIRE ACTUATOR DISP	WR17X10735
<b>330</b>	SPRING DEFLECTOR	WR02X10583
<b>331</b>	RETAINER SPRING	WR02X10580
<b>332</b>	BLADES MOVING DISP	WR17X1361
<b>333</b>	BLADES MOVING DISP	WR17X1362
<b>334</b>	BLADES MOVING DISP	WR17X1363
<b>335</b>	SPACER CRUSHER MIDDLE	WR02X4139
<b>337</b>	SPACER CRUSHER STATIONAR	WR02X4138
<b>342</b>	STATIONARY BLADES ASM	WR02X10691
<b>345</b>	COVER CRUSHER HSG DISP	WR17X10699
<b>350</b>	AUGER ASM DISP	WR17X10690
<b>352</b>	BUCKET ICE DISP	WR30X10016
<b>354</b>	BUCKET & AUGER ASM	WR17X10778
<b>359</b>	GLIDE BUCKET LH DISP	WR72X10047
<b>359</b>	GLIDE BUCKET RH DISP	WR72X10048
<b>361</b>	COVER MOTOR & SOLENOID	WR17X10788

Distribuidor Autorizado

**SurteRápido.com**

Venta de Refacciones  
Electrodomesticas

## Refrigerador GE GSS25JFMBWW

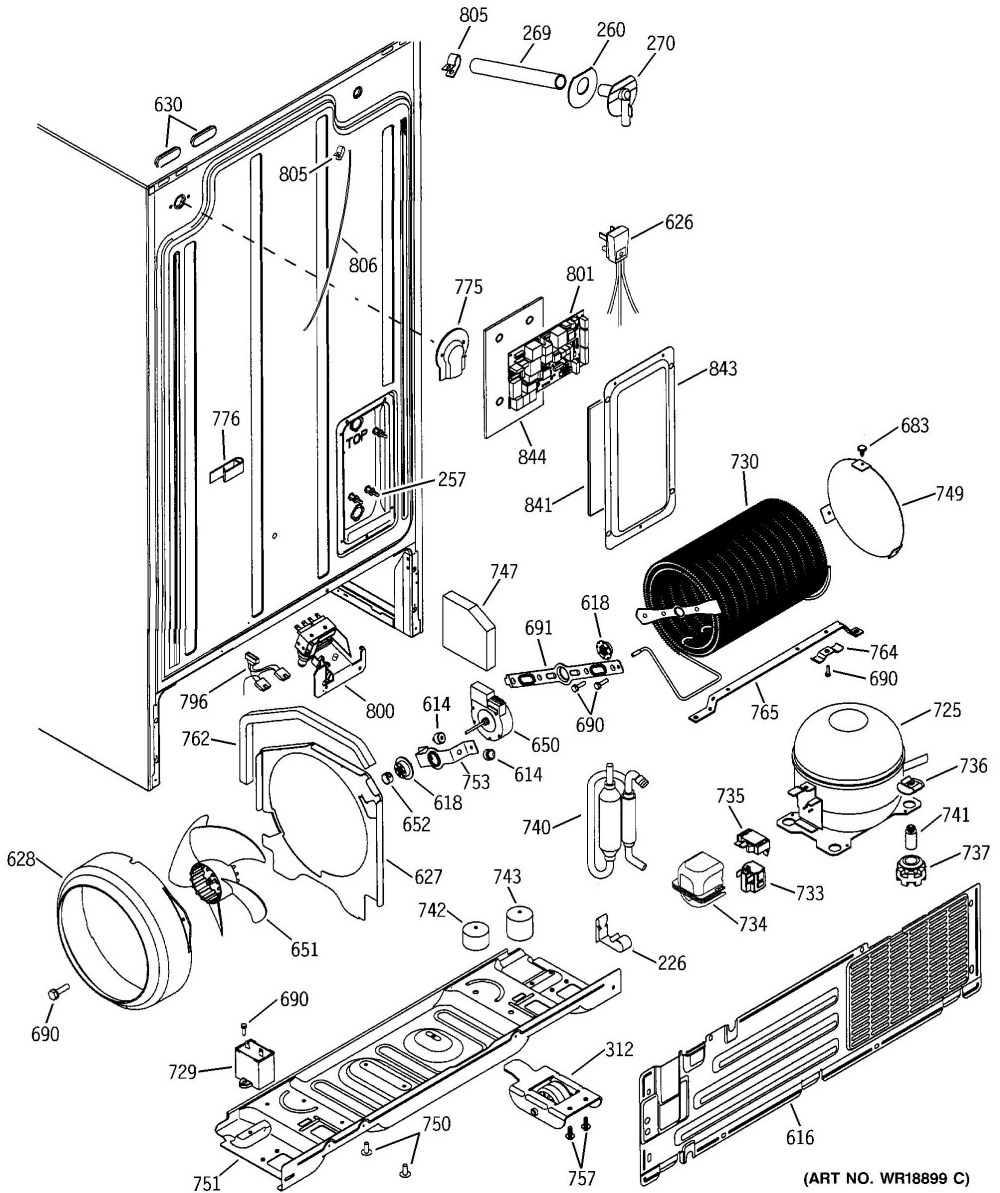
<b>No. Ilus.</b>	<b>DESCRIPCIÓN</b>	<b>No. de Parte</b>
<b>365</b>	DRIVE AUGER DISP	WR02X10565
<b>366</b>	NUT J	WR01X10190
<b>367</b>	SCR 8-18 TPT 1/4	WR01X10198
<b>368</b>	BRACKET IM MOUNTING	WR02X10543
<b>369</b>	MOTOR CRUSHER DISP	WR60X10056
<b>371</b>	SCR 10-18 HI/LO HXW 1/2	WR01X10192
<b>375</b>	HARNESS MOTOR DISP	WR23X10157
<b>377</b>	SADDLE SOLENOID	WR02X7309
<b>378</b>	SOLENOID & ARM ASM	WR62X0058
<b>379</b>	SHROUD SOLENOID	WR17X1063
<b>380</b>	PLUNGER SOLENOID	WR17X1064
<b>381</b>	PIN SPIRAL	WR02X4257
<b>382</b>	SPRING SOLENOID LINKAGE	WR02X4258
<b>383</b>	COLLAR SOLENOID DISP	WR17X1065
<b>384</b>	STIRRUP SOLENOID DISP	WR17X1066
<b>385</b>	PIN SPIRAL	WR02X4259
<b>387</b>	COVER BUCKET DISP	WR17X10779
<b>416</b>	SHELF CHILLER	WR71X10228
<b>820</b>	ICEMAKER ASM	WR30X10012
<b>867</b>	CUP FILL IM	WR29X10042

Distribuidor Autorizado

SurteRápido.com

Venta de Refacciones  
Electrodomesticas

# Refrigerador GE GSS25JFMBWW



(ART NO. WR18899 C)

Distribuidor Autorizado

**SurteRápido.com**

Venta de Refacciones  
Electrodomesticas

## Refrigerador GE GSS25JFMBWW

<b>No. Ilus.</b>	<b>DESCRIPCIÓN</b>	<b>No. de Parte</b>
<b>226</b>	CLIP DRAIN TUBE	WR02X10558
<b>257</b>	FASTENER BOARD	WR02X10159
<b>260</b>	GASKET DONUT	WR02X9223
<b>269</b>	TUBE IM FILL	WR02X10960
<b>270</b>	GROMMET WATER FILL	WR02X10564
<b>312</b>	MOBILITY BACK ASM	WR02X10571
<b>614</b>	BUMPER LID	WR02X10540
<b>616</b>	COVER ACCESS ASM	WR82X10071
<b>618</b>	GROMMET COND FAN	WR02X10520
<b>626</b>	CORD POWER ASM	WR23X0108
<b>627</b>	BAFFLE CONDENSER	WR17X10691
<b>628</b>	SHROUD CONDENSER	WR17X10726
<b>630</b>	PLUG BUTTON WH	WR02X4097
<b>650</b>	MOTOR DC COND FAN	WR60X10053
<b>651</b>	BLADE COND FAN ASM	WR60X10049
<b>652</b>	RING COMPRESSION	WR02X10509
<b>683</b>	FASTENER PUSH	WR02X10562
<b>690</b>	SCR 8-32 T HXW 3/8 S	WR01X1466
<b>691</b>	BRACKET COND FAN (REAR)	WR02X10593
<b>725</b>	COMPRESSOR REPL. ASM.	WR87X10041
<b>729</b>	CAPACITOR	WR62X0080
<b>730</b>	COND REPL KIT	WR84X10022
<b>733</b>	PTCR	WR07X10033
<b>734</b>	COVER RELAY SNAP(MEI)	WR02X10556
<b>735</b>	OVERLOAD	WR08X10026
<b>736</b>	CLIP COMPRESSOR MOUNT	WR02X8203

Distribuidor Autorizado

**SurteRápido.com**

Venta de Refacciones  
Electrodomesticas



## Refrigerador GE GSS25JFMBWW

<b>No. Ilus.</b>	<b>DESCRIPCIÓN</b>	<b>No. de Parte</b>
<b>737</b>	GROMMET	WR02X10099
<b>740</b>	DRYER BIFURCATED XH9	WR86X0096
<b>741</b>	STUD MTG COMPR	WR01X1779
<b>742</b>	SUPPORT CONDENSER	WR02X10587
<b>743</b>	SUPPORT CONDENSER	WR02X10588
<b>747</b>	INSULATION SIDE	WR82X10073
<b>749</b>	BAFFLE COND AIR	WR17X10694
<b>750</b>	SCR 10-32 TR 1/2	WR01X1786
<b>751</b>	BASEPLATE HIGH SIDE	WR17X10693
<b>753</b>	BRKT COND FAN (MTG)	WR02X10521
<b>762</b>	FOAM STRIP	WR14X0313
<b>764</b>	CLIP, COND MNT	WR02X9000
<b>765</b>	BRACKET CONDENSER BAR	WR17X10695
<b>775</b>	COVER WATER LINE	WR02X10047
<b>776</b>	CLAMP TUBE	WR02X10522
<b>796</b>	HARNESS WATER VALVE	WR23X10168
<b>800</b>	WATER VALVE ASM	WR57X10032
<b>801</b>	BOARD ASM MAIN CONTROL	WR55X10083
<b>805</b>	STR RELIEF	WR02X3736
<b>806</b>	TUBE PLASTIC	WR17X10733
<b>841</b>	INSULATOR MAIN BOARD	WR02X10599
<b>843</b>	COVER ENCLOSURE	WR17X10700
<b>844</b>	INSULATOR MAIN BOARD	WR02X10569