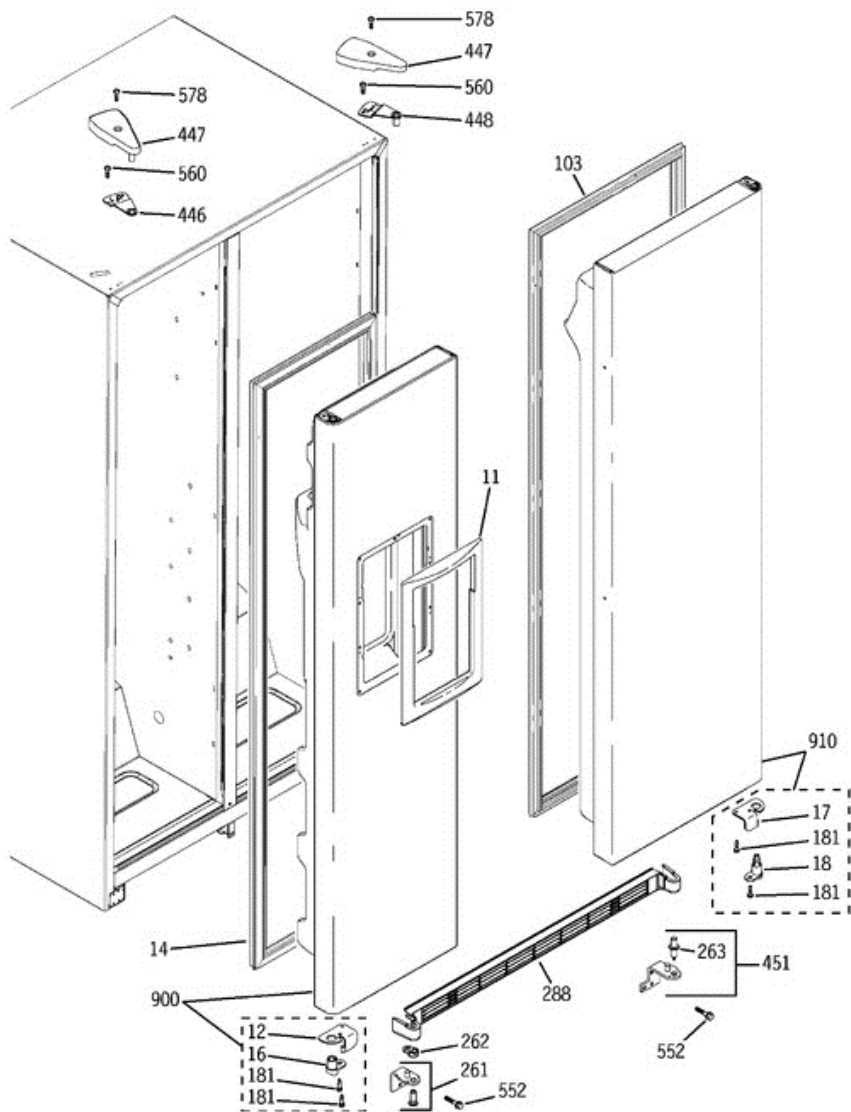


GSS25KGMWW DOOR KIT





GSS25KGMWW DOOR KIT

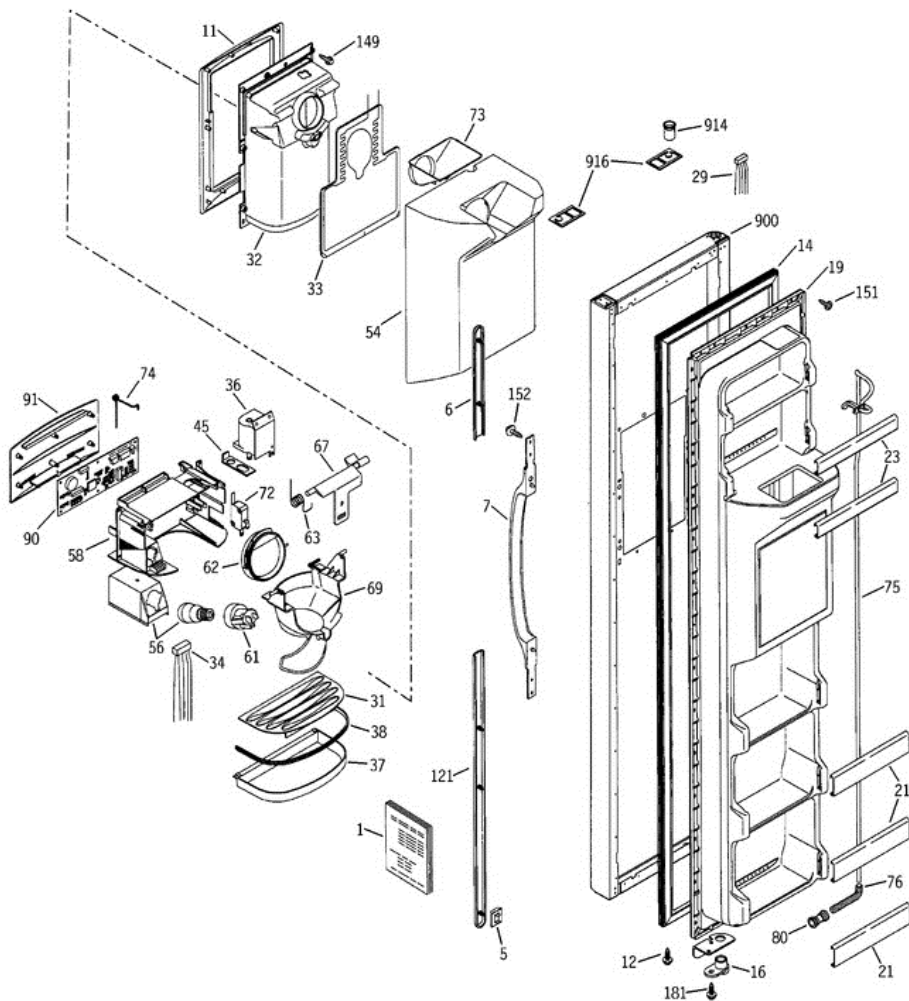
11	WR38X10199	TRIM RECESS DISP WH
12	WR02X10576	PLATE DOOR STOP FZ
14	WR24X10053	GASKET DOOR FZ WH
16	WR02X10566	HINGE CAM & THIMBLE FZ
17	WR02X10575	PLATE DOOR STOP FF WH
18	WR02X10567	HINGE CAM & THIMBLE FF
103	WR24X10054	GASKET DOOR FF WH
181	WR01X10215	SCR 10-32 TT HXW 3/4 S
261	WR01X10202	THRUST WASHER
261	WR13X10120	HINGE BTM PIN & CAM ASM
262	WR02X10568	HINGE CAM RISER
263	WR02X10592	PIN HINGE BTM ADJ
288	WR74X10054	GRILLE BASE ASM WH
446	WR13X10121	HINGE TOP ASM FZ
447	WR02X10555	COVER HINGE WH
448	WR13X10122	HINGE TOP ASM FF
451	WR13X10119	HINGE BTM & PIN ASM
552	WR01X10034	SCR 12-24 TT IH .811 S
560	WR01X10195	SCR 12-24 CA HX 7/8 S
578	WZ02X0503	SCR 8-32 MA PA 3/8 S
900	WR78X10338	DOOR FOAM ASM FZ WH
910	WR78X10337	DOOR FOAM ASM FF WH

Distribuidor Autorizado

SurteRápido.com

Venta de Refacciones
Electrodomesticas

GSS25KGMWW FREEZER DOOR



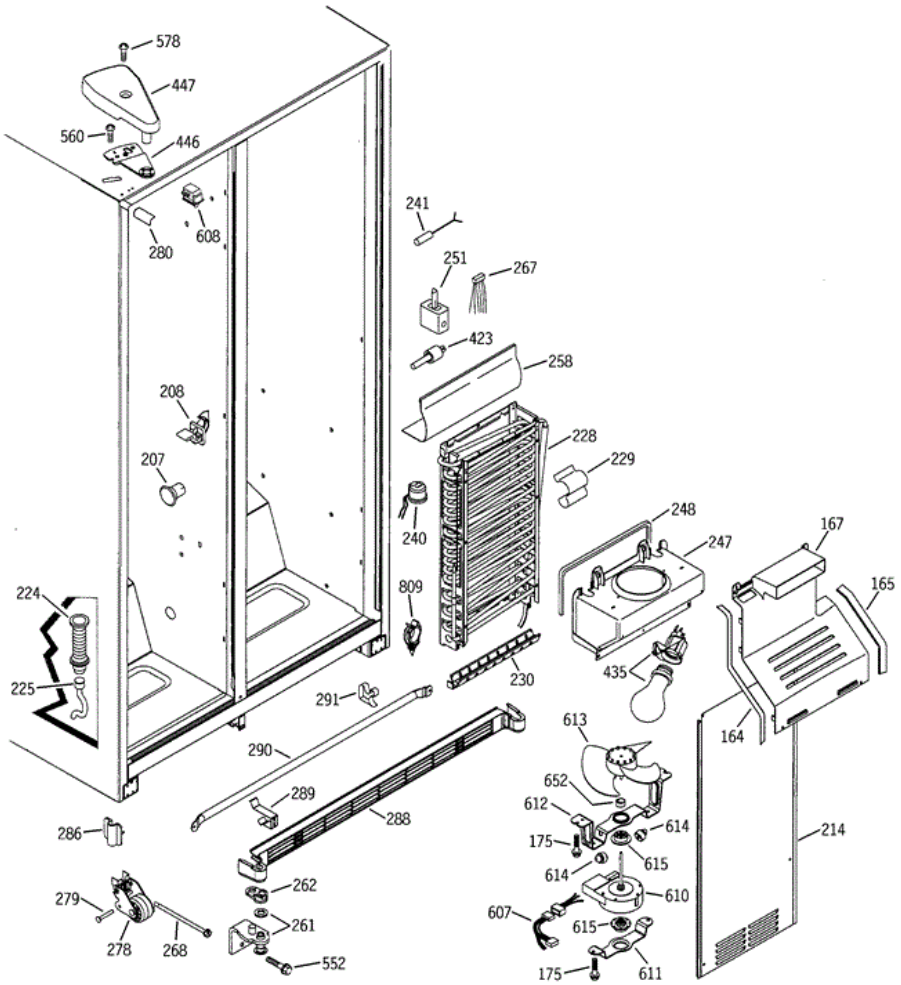


GSS25KGMWW FREEZER DOOR

1	49-60087	PM GUIDE OWNERS
5	WR02X10431	DART CLIP
6	WR12X10388	TAIL HANDLE SXS WH
7	WR12X10332	HANDLE SXS WH
11	WR38X10199	TRIM RECESS DISP WH
12	WR02X10576	PLATE DOOR STOP FZ
14	WR24X10053	GASKET DOOR FZ WH
16	WR02X10566	HINGE CAM & THIMBLE FZ
19	WR77X10035	DOOR INNER FZ DISP
21	WR17X10709	FRONT DOOR SHELF
23	WR17X10710	FRONT DOOR SHELF
29	WR23X10176	HARNESS COMM FZ DR
31	WR17X10712	GRILL RECESS WH
32	WR17X10722	RECESS ICE DISPENSER WH
33	WR51X10045	HEATER RECESS
34	WR23X10166	HARNESS RECESS DISP
36	WR62X10020	SOLENOID ASM
37	WR02X10559	CUP RECESS WH
38	WR14X10046	GASKET CUP RECESS
45	WR02X8818	RETAINER RECESS DOOR
54	WR17X10720	INSULATION RECESS
56	WR02X10670	REFLECTOR LIGHT
56	WR02X10675	BULB RECS 12V
58	WR17X10813	HOUSING SHIELD DISP WH
61	WR02X9561	LAMP SOCKET
62	WR17X3093	DOOR RECESS ASM
63	WR02X10585	SPRING RECESS DOOR
67	WR17X10706	CRANK DOOR RECESS
69	WR17X10711	FUNNEL ICE DISP WH
72	WR23X10171	SWITCH
73	WR17X10736	CHUTE ICE ASM
74	WR02X10584	SPRING FUNNEL
75	WR17X10731	TUBE ASSEMBLY WH

75	WR17X10833	TUBE FORMED ASM WH
76	WR02X8933	SLEEVE WATER LINE
80	WR02X10471	UNION CONNECTOR
90	WR55X10031	BOARD ASM DISP
91	WR55X10044	BRACKET & OVERLAY WH
121	WR12X10389	TAIL HANDLE SXS WH
149	WR01X10196	SCR 8-18 HI/LO 5/8
151	WR01X1554	SCR 8-18 AB IHXW 1/2 S
152	WR01X10038	SCR 8-18 AB FLTR 5/8 S
181	WR01X10215	SCR 10-32 TT HXW 3/4 S
900	WR78X10338	DOOR FOAM ASM FZ WH
914	WR01X10200	THIMBLE DOOR TOP
916	WR02X10553	COVER ASM CORNER WH

GSS25KGMWW FREEZER SECTION



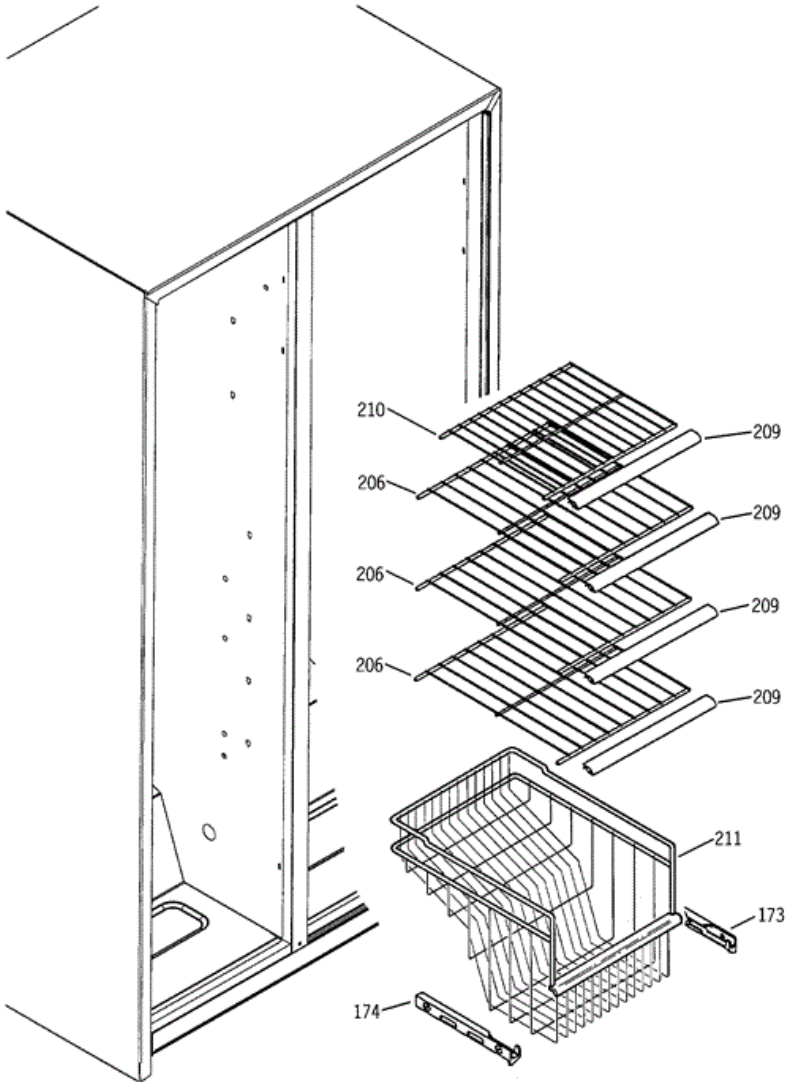


GSS25KGMWW FREEZER SECTION

164	WR14X10049	GASKET DUCT FZ
165	WR14X10048	GASKET DUCT FZ
167	WR17X10705	DUCT AIR FZ
175	WR01X10035	SCR 8-18 AB IHW 5/8 S
175	WR01X2023	SCR 8-18 AB IHW 5/8 S
207	WR02X4676	GROMMET SHELF
208	WR02X4674	SUPPORT SHELF
214	WR01X10064	CLIP EVAP COVER
214	WR14X10045	GASKET COVER EVAP
214	WR17X10701	COVER EVAP
224	WR02X10563	GROMMET DRAIN TUBE
225	WR01X5042	CLAMP HOSE
225	WR02X10590	TUBE DRAIN
228	WR85X10022	EVAP REPL KIT
229	WR02X10552	CLIP EVAP THERMISTOR
230	WR51X10030	HEATER & BRACKET ASM
240	WR50X10015	THERMOSTAT DEFROST
241	WR50X10027	SENSOR TEMP
247	WR17X10721	ORIFICE EVAP FAN
248	WR14X10050	GASKET FOAM
251	WR02X10632	TWIST SUPPORT
258	WR17X10724	SHIELD LIGHT FZ
261	WR01X10202	THRUST WASHER
261	WR13X10120	HINGE BTM PIN & CAM ASM
262	WR02X10568	HINGE CAM RISER
267	WR23X10164	HARNESS FZ LT HTR
268	WR01X10199	SCREW MOBILITY
278	WR02X10572	MOBILITY FRONT ASM
279	WR02X10574	PIN PIVOT ASM
280	WR02X10549	CAP CORNER OC WH
286	WR17X10728	THERMISTOR COVER FZ
288	WR74X10054	GRILLE BASE ASM WH
289	WR02X10560	CLIP GRILLE

290	WR17X10692	BAR CURB HANDLEING
291	WR02X10589	SUPPORT CURB BAR
423	WR02X6347	SUPPORT SHIELD TOP
435	60A	LAMP 60W APPL
435	STD372402	LAMP 40W 120V
435	WR02X10591	SOCKET & TERMINAL
446	WR13X10121	HINGE TOP ASM FZ
447	WR02X10555	COVER HINGE WH
552	WR01X10034	SCR 12-24 TT IH .811 S
560	WR01X10195	SCR 12-24 CA HX 7/8 S
578	WZ02X0503	SCR 8-32 MA PA 3/8 S
607	WR23X10154	HARNESS FAN EVAP
608	WR23X10161	SWITCH LIGHT
610	WR60X10043	MOTOR DC EVAP FAN
611	WR02X10548	BRACKET EVAP FAN BTM
612	WR02X10547	BRACKET EVAP FAN
613	WR60X10055	BLADE EVAP FAN ASM
614	WR02X10540	BUMPER LID
615	WR02X10519	GROMMET EVAP FAN
652	WR02X10509	RING COMPRESSION
809	WR01X1936	FASTENER WATER TUBE

GSS25KGMWW FREEZER SHELVES

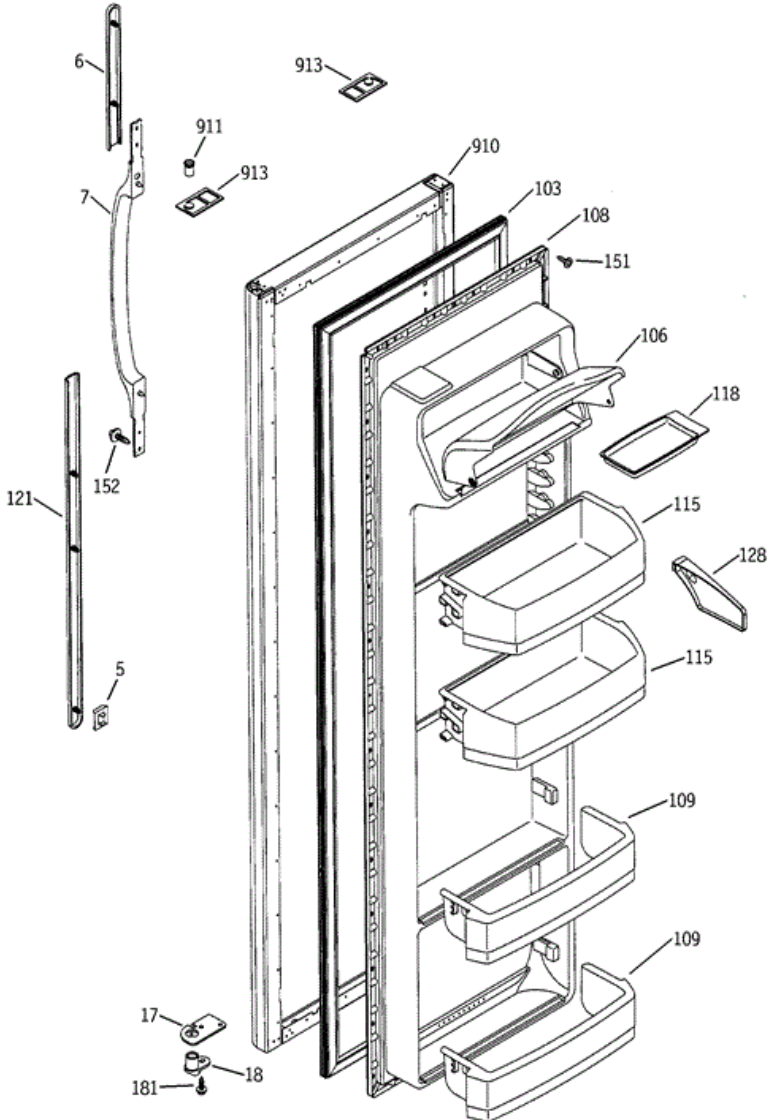




GSS25KGMWW FREEZER SHELVES

173	WR02X8724	SUPPORT SLIDE BASKET
174	WR02X8667	SUPPORT SLIDE BASKET
206	WR71X1936	SHELF FZ
209	WR38X10200	TRIM SHELF WIRE FZ
210	WR71X10230	SHELF FZ 3/4
211	WR21X10021	BIN WIRE SLIDEOUT FZ

GSS25KGMWW FRESH FOOD DOOR





GSS25KGMWW FRESH FOOD DOOR

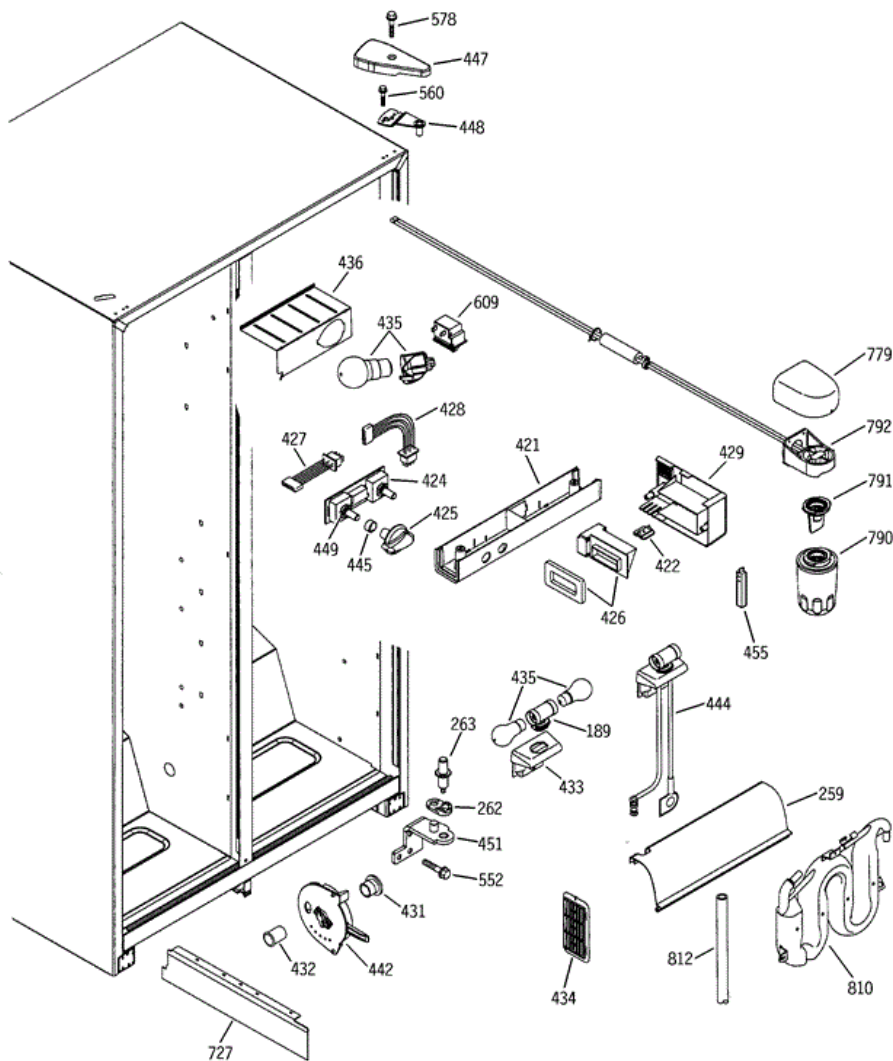
5	WR02X10431	DART CLIP
6	WR12X10388	TAIL HANDLE SXS WH
7	WR12X10332	HANDLE SXS WH
17	WR02X10575	PLATE DOOR STOP FF WH
18	WR02X10567	HINGE CAM & THIMBLE FF
103	WR24X10054	GASKET DOOR FF WH
106	WR22X10012	DOOR DAIRY
108	WR77X10034	DOOR INNER FF
109	WR71X10232	SHELF MODULE FIXED FF
115	WR71X10231	SHELF MODULE FF
118	WR19X5003	BUTTER DISH
121	WR12X10389	TAIL HANDLE SXS WH
128	WR02X10582	SNUGGER MODULE
151	WR01X1554	SCR 8-18 AB IHXW 1/2 S
152	WR01X10038	SCR 8-18 AB FLTR 5/8 S
181	WR01X10215	SCR 10-32 TT HXW 3/4 S
910	WR78X10337	DOOR FOAM ASM FF WH
911	WR01X10201	THIMBLE TOP CLOSED
913	WR02X10554	COVER ASM CORNER WH

Distribuidor Autorizado

SurteRápido.com

Venta de Refacciones
Electrodomesticas

GSS25KGMWW FRESH FOOD SECTION



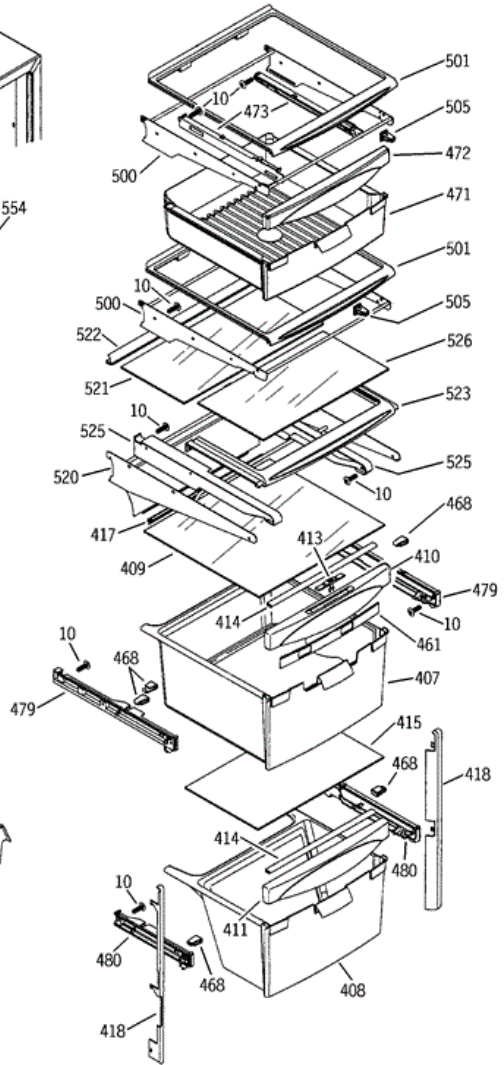
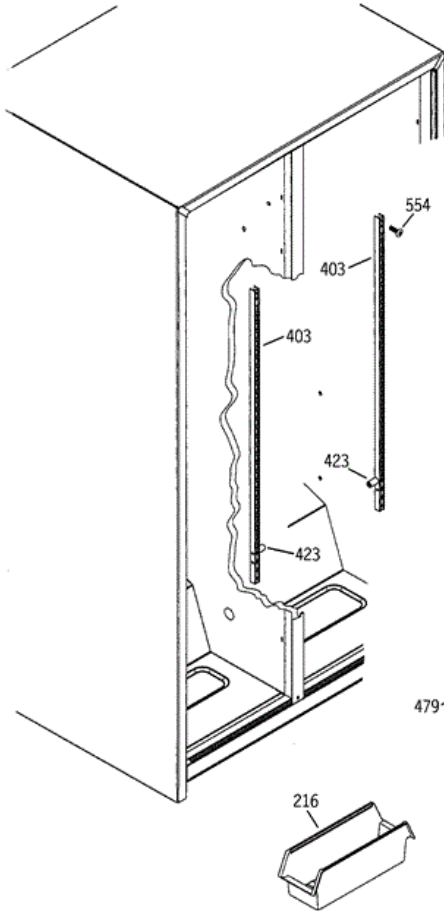


GSS25KGMWW FRESH FOOD SECTION

189	WR02X9243	SOCKET LIGHT
259	WR17X10725	SHIELD LIGHT LOWER
262	WR02X10568	HINGE CAM RISER
263	WR02X10592	PIN HINGE BTM ADJ
421	WR14X10044	GASKET CONTROL HOUSING
421	WR17X10716	HOUSING CONTROL
422	WR02X10546	CLIP DAMPER COVER
424	WR55X10040	BOARD ASM ENCODER
425	WR02X10570	KNOB CONTROL
426	WR09X10050	DAMPER & GASKET ASM
426	WR14X10047	GASKET DAMPER
427	WR23X10165	HARNESS CONTROL TOP
428	WR23X10156	HARNESS LT & SW
429	WR02X10618	COVER DAMPER
431	WR02X9299	CAP MULLION DUCT
432	WR02X10561	DUCT MULLION
433	WR02X9239	HOUSING LAMP SOCKET
434	WR17X10262	GRILLE AIR RETURN
435	60A	LAMP 60W APPL
435	STD372402	LAMP 40W 120V
435	WR02X10591	SOCKET & TERMINAL
436	WR02X10578	REFLECTOR LAMP
442	WR17X10060	CONTROL MEAT PAN ASM
444	WR23X10159	HOUSING LIGHT LWR ASM
445	WR02X10581	RING COMPRESSION
447	WR02X10555	COVER HINGE WH
448	WR13X10122	HINGE TOP ASM FF
449	WR01X10191	NUT SPECIAL
451	WR13X10119	HINGE BTM & PIN ASM
455	WR02X10622	COVER SENSOR FF
552	WR01X10034	SCR 12-24 TT IH .811 S
560	WR01X10195	SCR 12-24 CA HX 7/8 S
578	WZ02X0503	SCR 8-32 MA PA 3/8 S

609	WR23X10162	SWITCH LIGHT
727	WR17X10723	SEPARATOR AIR HISIDE
779	WR02X10557	COVER WATER FILTER
790	GWF	FILTER CANISTER
791	WR02X10577	PLUG BYPASS FILTER
792	WR17X10707	FILTER MNT & TUBE ASM
810	WR17X10734	WATER TANK & TUBE ASM
812	WR17X10732	TUBE PLASTIC

GSS25KGMWW FRESH FOOD SHELVES





GSS25KGMWW FRESH FOOD SHELVES

10	WR01X10065	SCR 8-18 BA POR 5/8 SS
216	WR32X1575	BUCKET UTILITY CLR
403	WR72X0254	TRACK CANT SHELF
407	WR32X10133	PAN VEG
408	WR32X10131	PAN MEAT
409	WR32X10130	COVER PAN GLASS
410	WR17X10715	HANDLE VEG PAN
411	WR17X10713	HANDLE PAN MEAT
413	WR02X10544	BUTTON SLIDE
414	WR14X10051	GASKET PAN COVER FRT
415	WR32X10129	COVER PAN GLASS
417	WR14X10052	GASKET SHIELD LOWER
418	WR17X10729	TRIM PAN LH
418	WR17X10730	TRIM PAN RH
423	WR02X6347	SUPPORT SHIELD TOP
461	WR72X10049	SLIDE PAN
461	WZ06X0136	SCR 8-18 AB HXW 1/2 S
468	WR01X2048	BEARING SLIDE
471	WR32X10132	PAN SNACK UPPER
472	WR17X10714	HANDLE PAN SNACK
472	WR17X10827	HANDLE PAN SNACK
473	WR72X0210	SLIDE PAN RH
473	WR72X0211	SLIDE PAN LH
479	WR72X0239	SLIDE ASM LH
479	WR72X0240	SLIDE ASM RH
480	WR72X0241	SLIDE ASM LH
480	WR72X0242	SLIDE ASM RH
500	WR71X10226	SHELF CANT SPILLPRF
501	WR32X10134	SHELF ENCAP SLIDEOUT
505	WR01X2080	STOP SHELF
520	WR71X10227	SHELF CANT TUCKAWAY
521	WR32X10136	SHELF GLASS TUCKAWAY
522	WR38X10198	REFLECTOR TUCKAWAY

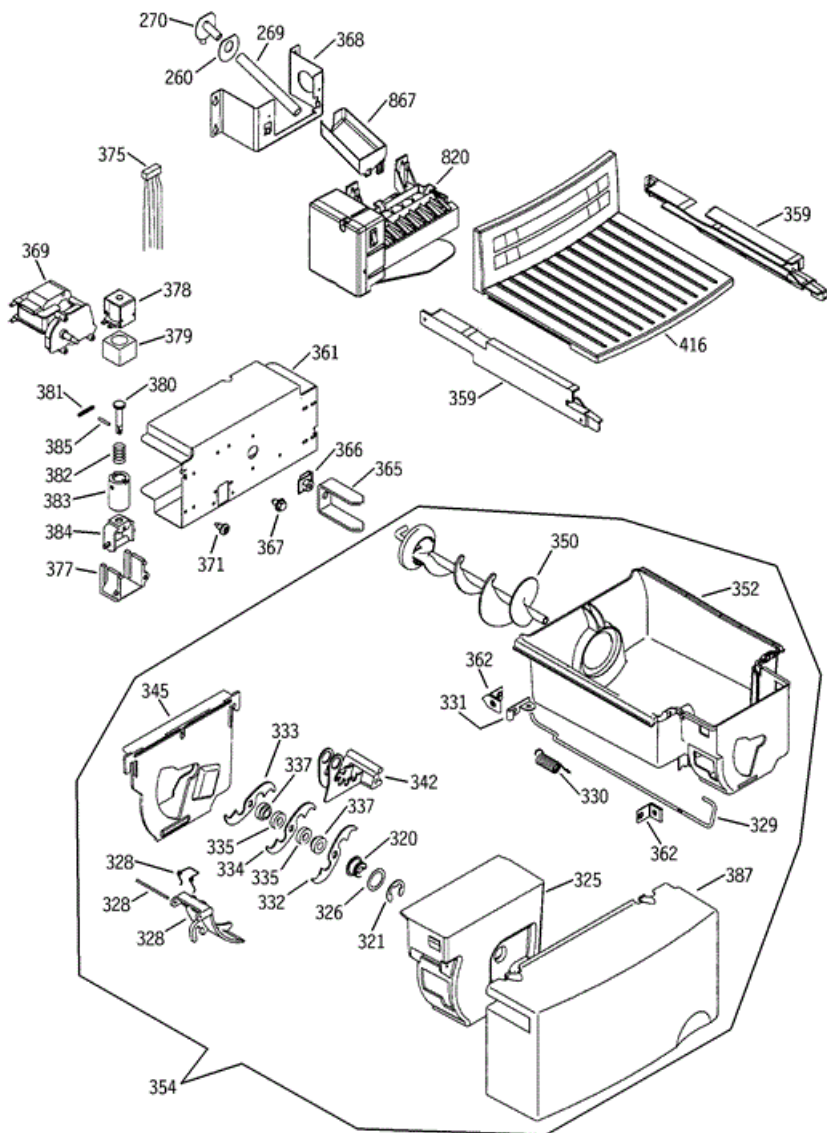
523	WR71X10229	SHELF FRAME TUCKAWAY
525	WR72X10050	SLIDE TUCKAWAY LH
525	WR72X10051	SLIDE TUCKAWAY RH
526	WR32X10135	SHELF GLASS TUCKAWAY
554	WR01X2141	SCR 10-24 TR HXW I S

Distribuidor Autorizado

SurteRápido.com

Venta de Refacciones
Electrodomesticas

GSS25KGMWW ICE MAKER & DISPENSER





GSS25KGMWW ICE MAKER & DISPENSER

260	WR02X9223	GASKET DONUT
269	WR02X7927	TUBE WATER FILL
270	WR02X10564	GROMMET WATER FILL
320	WR01X10189	NUT AUGER FRT DISP
321	WR01X1367	RETAINER RING E
325	WR17X10717	HOUSING CRUSHER DISP
326	WR01X1366	WASHER
328	WR02X4143	PIN DEFLECTOR DISP
328	WR02X4561	SPRING ICE DEFLECTOR
328	WR17X10703	DEFLECTOR ICE DISP
329	WR17X10735	WIRE ACTUATOR DISP
330	WR02X10583	SPRING DEFLECTOR
331	WR02X10580	RETAINER SPRING
332	WR17X1361	BLADES MOVING DISP
333	WR17X1362	BLADES MOVING DISP
334	WR17X1363	BLADES MOVING DISP
335	WR02X4139	SPACER CRUSHER MIDDLE
337	WR02X4138	SPACER CRUSHER STATIONAR
342	WR02X10691	STATIONARY BLADES ASM
345	WR17X10699	COVER CRUSHER HSG DISP
350	WR17X10690	AUGER ASM DISP
352	WR30X10016	BUCKET ICE DISP
354	WR17X10778	BUCKET & AUGER ASM
359	WR72X10047	GLIDE BUCKET LH DISP
359	WR72X10048	GLIDE BUCKET RH DISP
361	WR17X10788	COVER MOTOR & SOLENOID
362	WR02X8839	BRACKET SHELF
365	WR02X10565	DRIVE AUGER DISP
366	WR01X10190	NUT J
367	WR01X10198	SCR 8-18 TPT 1/4
368	WR02X10543	BRACKET IM MOUNTING
369	WR60X10056	MOTOR CRUSHER DISP
371	WR01X10192	SCR 10-18 HI/LO HXW 1/2

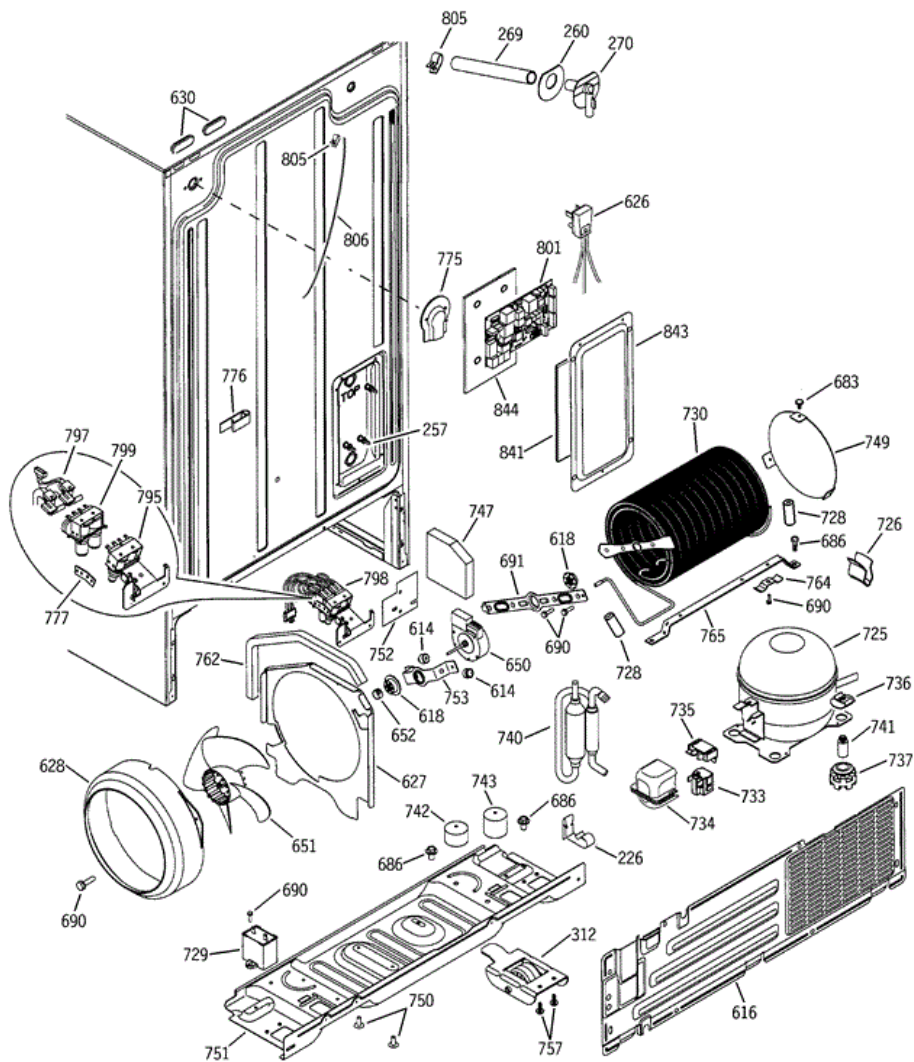
375	WR23X10157	HARNESS MOTOR DISP
377	WR02X7309	SADDLE SOLENOID
378	WR62X0058	SOLENOID & ARM ASM
379	WR17X1063	SHROUD SOLENOID
380	WR17X1064	PLUNGER SOLENOID
381	WR02X4257	PIN SPIRAL
382	WR02X4258	SPRING SOLENOID LINKAGE
383	WR17X1065	COLLAR SOLENOID DISP
384	WR17X1066	STIRRUP SOLENOID DISP
385	WR02X4259	PIN SPIRAL
387	WR17X10779	COVER BUCKET DISP
416	WR71X10228	SHELF CHILLER
820	WR30X10012	ICEMAKER ASM
867	WR29X10042	CUP FILL IM

Distribuidor Autorizado

SurteRápido.com

Venta de Refacciones
Electrodomesticas

GSS25KMAWW SEALED & SYSTEM





GSS25KGMWW SEALED & SYSTEM

226	WR02X10558	CLIP DRAIN TUBE
257	WR02X10586	STANDOFF CIRCUIT BOARD
260	WR02X9223	GASKET DONUT
269	WR02X7927	TUBE WATER FILL
270	WR02X10564	GROMMET WATER FILL
312	WR02X10571	MOBILITY BACK ASM
614	WR02X10540	BUMPER LID
616	WR82X10071	COVER ACCESS ASM
618	WR02X10520	GROMMET COND FAN
626	WR23X0108	CORD POWER ASM
627	WR17X10691	BAFFLE CONDENSER
628	WR17X10726	SHROUD CONDENSER
630	WR02X4097	PLUG BUTTON WH
650	WR60X10053	MOTOR DC COND FAN
651	WR60X10049	BLADE COND FAN ASM
652	WR02X10509	RING COMPRESSION
683	WR02X10562	FASTENER PUSH
686	WR01X10194	SCR 10-32 TT HXW 5/16 S
690	WR01X1466	SCR 8-32 T HXW 3/8 S
691	WR02X10593	BRACKET COND FAN (REAR)
725	WR87X10041	COMPRESSOR REPL. ASM.
726	WR02X10545	CLIP- CAP TUBE
728	WR14X10055	GROMMET TUBING SLIT
729	WR62X0080	CAPACITOR
730	WR84X10022	COND REPL KIT
733	WR07X10033	PTCR
734	WR02X10556	COVER RELAY SNAP(MEI)
735	WR08X10026	OVERLOAD
736	WR02X8203	CLIP COMPRESSOR MOUNT
737	WR02X10099	GROMMET
740	WR86X0096	DRYER BIFURCATED XH9
741	WR01X1779	STUD MTG COMPR
742	WR02X10587	SUPPORT CONDENSER

743	WR02X10588	SUPPORT CONDENSER
747	WR82X10073	INSULATION SIDE
749	WR17X10694	BAFFLE COND AIR
750	WR01X1786	SCR 10-32 TR 1/2
751	WR17X10693	BASEPLATE HIGH SIDE
752	WR82X10072	INSULATION MACHINE TOP
753	WR02X10521	BRKT COND FAN (MTG)
757	WR01X10193	SCR 10-32 SPECIAL
762	WR14X10053	FOAM STRIP SE ADH
764	WR02X9000	CLIP, COND MNT
765	WR17X10695	BRACKET CONDENSER BAR
775	WR02X10047	COVER WATER LINE
776	WR02X10522	CLAMP TUBE
777	WR02X10370	BRACKET WATER VALVE
795	WR57X10023	WATER VALVE ASM
797	WR23X10108	HARNESS
798	WR57X10026	BRACKET & VALVE ASM
799	WR57X10024	WATER VALVE ASM
801	WR55X10037	BOARD ASM MAIN CONTROL
805	WR02X3736	STR RELIEF
806	WR17X10733	TUBE PLASTIC
841	WR02X10599	INSULATOR MAIN BOARD
843	WR17X10700	COVER ENCLOSURE
844	WR02X10569	INSULATOR MAIN BOARD