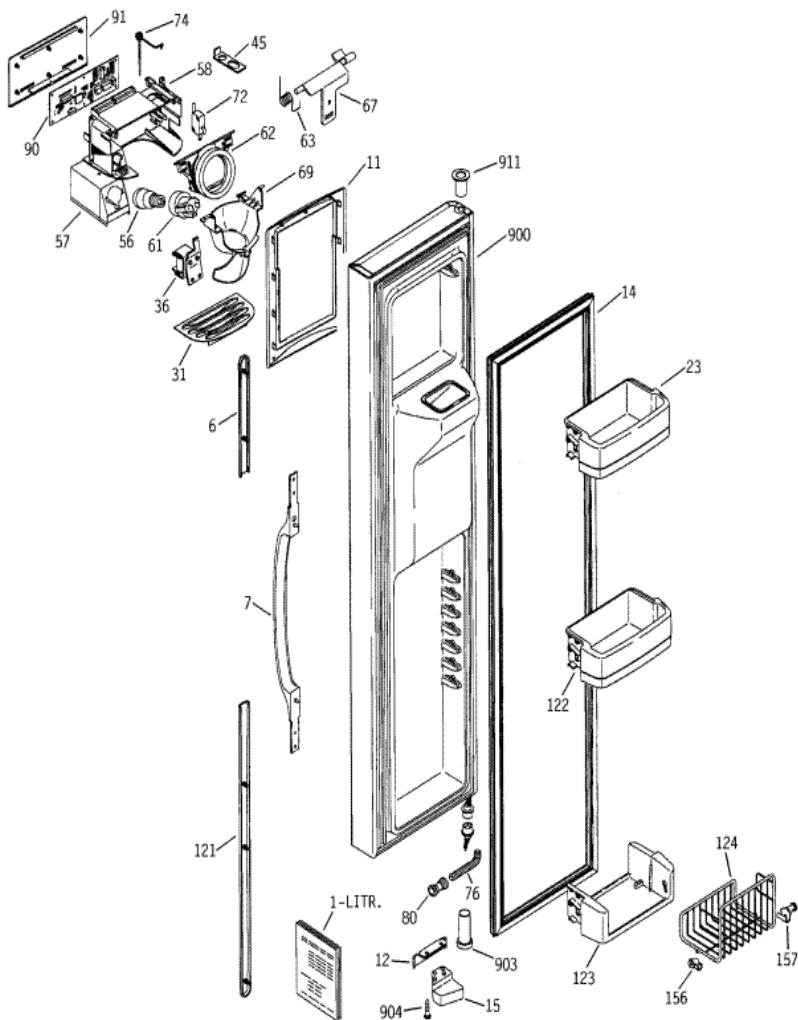


Distribuidor Autorizado

SurteRápido.com

Venta de Refacciones
Electrodomesticas

GSS25LGMABB PUERTA CONGELADOR



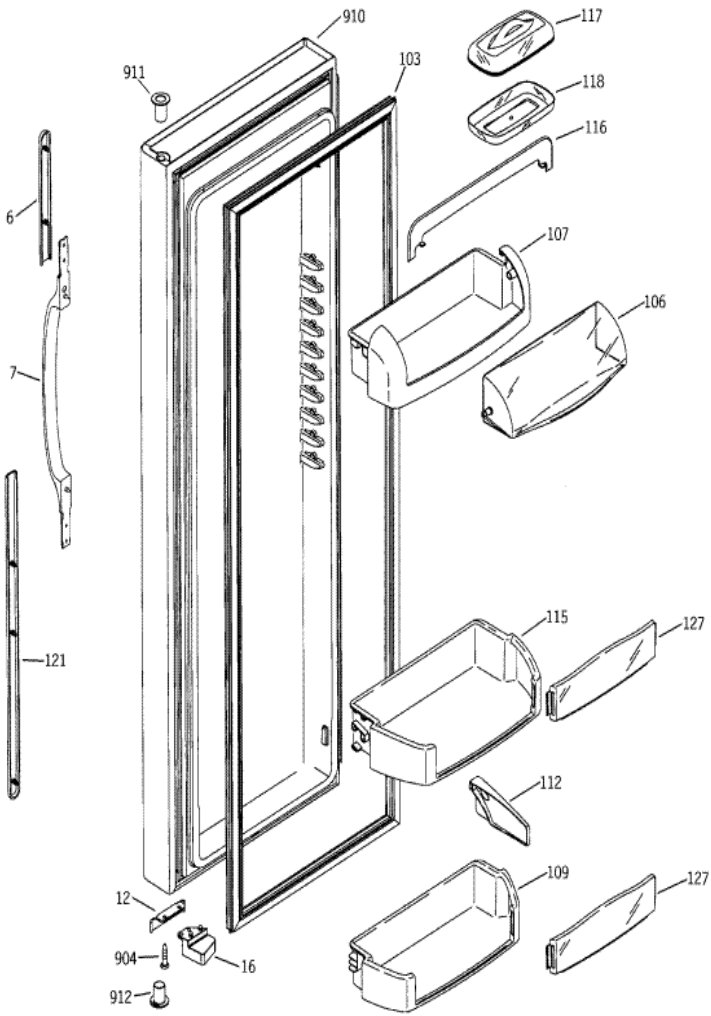


GSS25LGMABB PUERTA CONGELADOR

6	WR12X10164	TAIL HANDLE SXS BK (S/P)
6	WR12X10352	TAIL HANDLE SXS BQ (S/P)
7	WR12X10349	HANDLE SXS BQ (S/P)
7	WR12X10434	HANDLE SXS BK (S/P)
11	WR38X10227	RECESS TRIM FLAT (S/P)
11	WR38X10364	RECESS TRIM FLAT (S/P)
12	WR2X10817	STOP DOOR (S/P)
12	WR2X10814	STOP DOOR (S/P)
14	WR24X10158	GASKET DOOR FZ BK (S/P)
14	WR24X10156	GASKET DOOR FZ WH (S/P)
15	WR2X10779	CAM CLOSURE FZ BK (S/P)
15	WR2X10638	CAM CLOSURE FZ WH (S/P)
23	WR71X10254	MODULE SHELF FZ FIXED (S/P)
31	WR17X10810	GRILLE RECESS (S/P)
36	WR62X10055	SOLENOID ASM
45	WR2X8818	RETAINER RECESS DOOR (S/P)
56	WR2X10675	LIGHT DISPENSER (S/P)
57	WR2X10670	REFLECTOR LIGHT (S/P)
58	WR17X11170	HOUSING SHIELD DISP BK (S/P)
58	WR17X11080	HOUSING SHIELD DISP BSQT (S/P)
61	WR2X9561	SOCKET LAMP E12 (S/P)
62	WR17X11653	DOOR RECESS ASM
63	WR2X10585	SPRING RECESS DOOR (S/P)
67	WR17X10706	CRANK DOOR RECESS (S/P)
69	WR17X11267	FUNNEL ICE DISP BK (S/P)
69	WR17X11269	FUNNEL ICE DISP BQ (S/P)
72	WR23X10224	SWITCH (S/P)
74	WR2X10584	SPRING FUNNEL (S/P)
76	WR2X8933	SLEEVE WATER LINE (S/P)
80	WR2X10471	UNION CONNECTOR (S/P)
90	WR55X10195	BOARD ASM DISP

91	WR55X10307	CONTROL DISP ASM (S/P)
91	WR55X10303	CONTROL DISP ASM (S/P)
121	WR12X10435	TAIL HANDLE SXS (S/P)
121	WR12X10218	TAIL HANDLE SXS BK (S/P)
122	WR71X10291	MODULE SHELF FZ (S/P)
123	WR71X10255	MODULE SUPPORT FZ (S/P)
124	WR21X10111	BASKET WIRE TILTOUT FZ (S/P)
156	WR13X10130	HINGE TILTOUT FZ LH (S/P)
157	WR13X10131	HINGE TILTOUT FZ RH (S/P)
900	WR78X11139	DOOR FOAM ASM FZ (S/P)
900	WR78X11494	DOOR FOAM ASM FZ (S/P)
903	WR1X10234	THIMBLE DOOR BTM FZ BK (S/P)
903	WR1X10237	THIMBLE DOOR BTM FZ BQ (S/P)
904	WR1X2134	SCR 10-32 PNT 1.0 S LW (S/P)
911	WR1X10236	THIMBLE DOOR TOP BQ (S/P)
911	WR1X10233	THIMBLE DOOR TOP BK (S/P)

GSS25LGMABB PUERTA REFRIGERADOR





GSS25LGMABB PUERTA REFRIGERADOR

6	WR12X10352	TAIL HANDLE SXS BQ (S/P)
6	WR12X10164	TAIL HANDLE SXS BK (S/P)
7	WR12X10349	HANDLE SXS BQ (S/P)
7	WR12X10434	HANDLE SXS BK (S/P)
12	WR2X10817	STOP DOOR (S/P)
12	WR2X10814	STOP DOOR (S/P)
16	WR2X10780	CAM CLOSURE FF BK (S/P)
16	WR2X10637	CAM CLOSURE FF WH (S/P)
103	WR24X10157	GASKET DOOR FF BK (S/P)
103	WR24X10155	GASKET DOOR FF WH (S/P)
106	WR22X10022	DOOR DAIRY CLEAR (S/P)
107	WR22X10021	COMPARTMENT DAIRY (S/P)
109	WR71X10605	MODULE SHELF FF (S/P)
112	WR2X10639	SNUGGER (S/P)
115	WR71X10607	MODULE SHELF FF (S/P)
116	WR22X10023	TRIM DAIRY COMPARTMENT (S/P)
117	WR22X10019	LID DISH BUTTER (S/P)
118	WR22X10018	DISH BUTTER (S/P)
121	WR12X10218	TAIL HANDLE SXS BK (S/P)
121	WR12X10435	TAIL HANDLE SXS (S/P)
127	WR71X10289	INSERT MODULE (S/P)
904	WR1X2134	SCR 10-32 PNT 1.0 S LW (S/P)
910	WR78X10426	DOOR FOAM ASM FF (S/P)
910	WR78X10428	DOOR FOAM ASM FF (S/P)
911	WR1X10233	THIMBLE DOOR TOP BK (S/P)
911	WR1X10236	THIMBLE DOOR TOP BQ (S/P)
912	WR1X10235	THIMBLE DOOR BOT BQ (S/P)
912	WR1X10232	THIMBLE DOOR BOT BK (S/P)

Distribuidor Autorizado

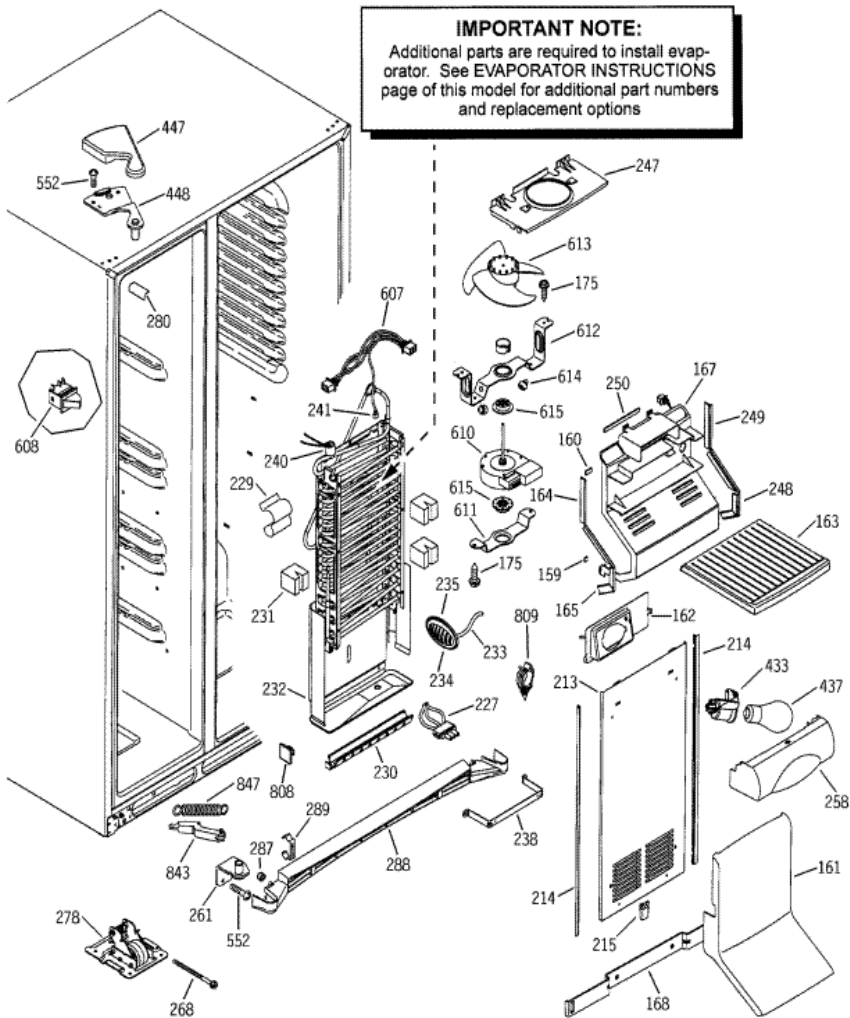
SurteRápido.com

Venta de Refacciones
Electrodomesticas

GSS25LGMABB RESISTENCIA

IMPORTANT NOTE:

Additional parts are required to install evaporator. See EVAPORATOR INSTRUCTIONS page of this model for additional part numbers and replacement options





GSS25LGMABB RESISTENCIA

159	WR14X10067	FOAM STRIP SE ADH (S/P)
160	WR14X10068	FOAM STRIP SE ADH (S/P)
161	WR17X10817	TOWER AIR FZ LOWER (S/P)
162	WR2X10634	REFLECTOR FZ (S/P)
163	WR71X10252	SHELF FZ UPPER (S/P)
164	WR14X10074	GASKET PLENUM (S/P)
164	WR14X10063	GASKET PLENUM (S/P)
165	WR14X10065	GASKET PLENUM (S/P)
167	WR17X11123	PLENUM FAN EVAPORATOR (S/P)
167	WR17X11124	PLENUM FAN EVAPORATOR (S/P)
168	WR2X10674	BRACKET FZ TOWER LOWER (S/P)
175	WR1X10035	SCR 8-18 AB IHW 5/8 S (S/P)
213	WR17X11668	COVER EVAPORATOR FRONT (S/P)
214	WR14X10072	GASKET EVAP COVER (S/P)
215	WR1X10211	BRACKET FZ TOWER UPPER (S/P)
227	WR23X10290	HARNESS DEF HEATER (S/P)
229	WR2X10552	CLIP EVAP THERMISTOR (S/P)
230	WR51X10055	HEATER & BRACKET ASM
231	WR2X10669	BLOCK EVAP SEAL (S/P)
232	WR17X10811	SHIELD TROUGH ASM (S/P)
233	WR55X10025	SENSOR TEMP FZ
234	WR2X10647	GRILLE SENSOR (S/P)
235	WR2X10668	SHUNT SENSOR (S/P)
238	WR2X10667	BRACKET EVAP COVER (S/P)
240	WR50X10068	THERMOSTAT DEFROST (S/P)
241	WR55X10025	SENSOR TEMP FF
247	WR17X10812	ORIFICE FAN ASM (S/P)
248	WR14X10066	GASKET PLENUM (S/P)
249	WR14X10073	GASKET PLENUM (S/P)
249	WR14X10064	GASKET PLENUM (S/P)
250	WR14X10069	FOAM STRIP SE ADH (S/P)

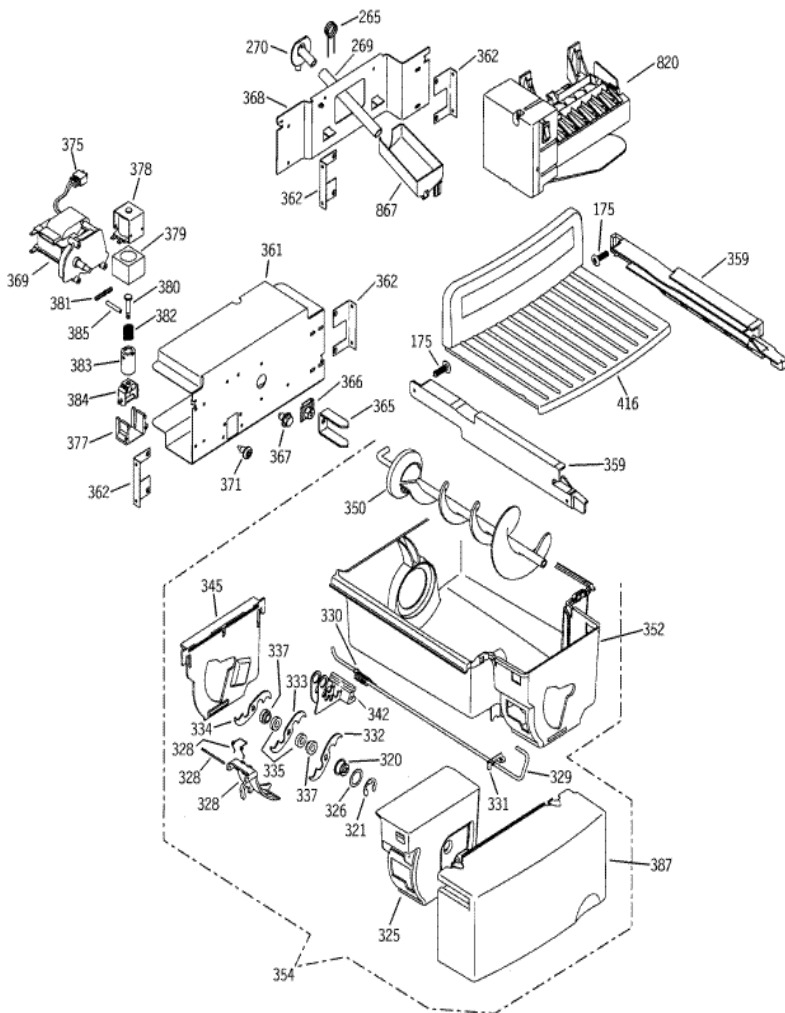
258	WR17X10840	SHIELD LIGHT FZ (S/P)
261	WR13X10162	HINGE BTM & PIN ASM (S/P)
261	WR13X10160	HINGE BTM & PIN ASM (S/P)
268	WR1X10210	SCREW MOBILITY (S/P)
278	WR2X12274	MOBILITY FRONT ASM (S/P)
280	WR2X10781	CAP CORNER OC BK (S/P)
280	WR2X10785	CAP CORNER OC BQ (S/P)
287	WR2X10836	DESCONTINUADO
288	WR74X10270	GRILL BASE ASM BK (S/P)
288	WR74X10196	GRILL BASE ASM BQ (S/P)
289	WR2X7646	CLIP BASE GRILLE (S/P)
433	WR2X9391	SOCKET & TERMINAL ASM
437	60A	LAMP 60 W (S/P)
447	WR2X10787	COVER HINGE (S/P)
447	WR2X10783	COVER HINGE (S/P)
448	WR13X10216	HINGE TOP & PIN ASM (S/P)
552	WR1X2022	SCR 12-24 TT OVT .900 S (S/P)
607	WR23X10223	HARNESS DC FZ INTERMEDIA (S/P)
608	WR23X10161	SWITCH LIGHT (S/P)
610	WR60X10154	MOTOR DC EVAP FAN
611	WR2X10548	BRACKET EVAP FAN BTM (S/P)
612	WR2X10653	BRACKET ORIFICE FAN (S/P)
613	WR60X10205	BLADE EVAP FAN ASM (S/P)
614	WR2X10540	BUMPER LID (S/P)
615	WR2X10519	GROMMET EVAP FAN (S/P)
808	WR2X4039	ADHESIVE CLIP (S/P)
809	WR1X1936	FASTENER WATER TUBE (S/P)
843	WR11X10010	LEVER ASM FZ (S/P)
843	WR11X10012	LEVER ASM FZ (S/P)
847	WR1X2027	SPRING CLOSURE (S/P)

Distribuidor Autorizado

SurteRápido.com

Venta de Refacciones
Electrodomesticas

GSS25LGMABB ICEMAKER



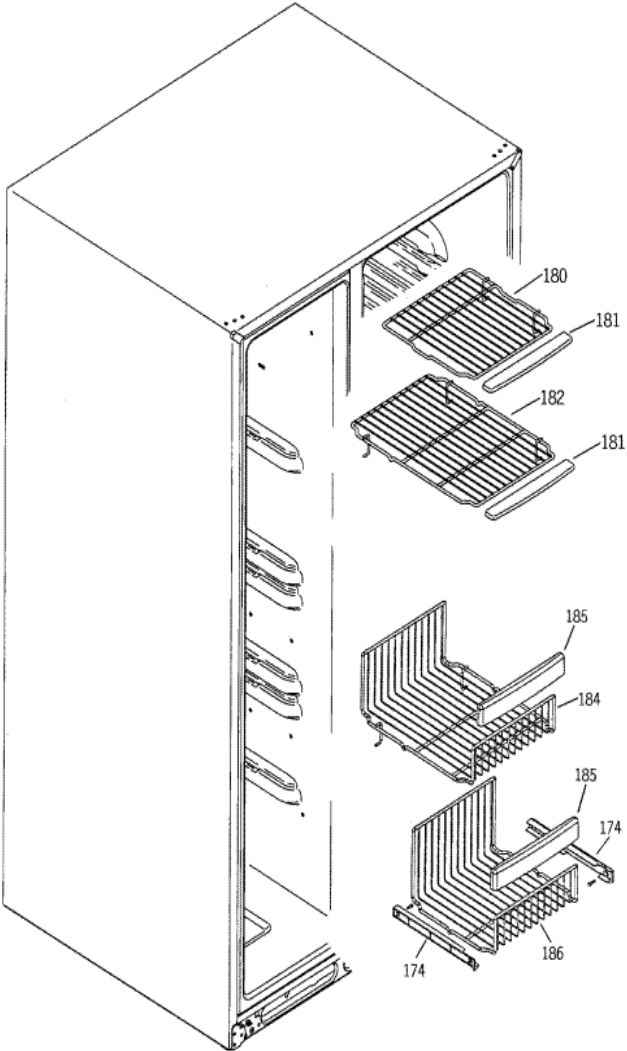


GSS25LGMABB ICEMAKER

175	WR1X10035	SCR 8-18 AB IHW 5/8 S (S/P)
265	WR51X10050	HEATER ASM FILL TUBE (S/P)
269	WR2X7927	TUBE WATER FILL (S/P)
270	WR2X10841	GROMMET WATER FILL (S/P)
320	WR1X10189	NUT AUGER FRT DISP (S/P)
321	WR1X1367	RETAINER RING E (S/P)
325	WR17X11505	HOUSING CRUSHER DISP (S/P)
326	WR1X1366	WASHER (S/P)
328	WR2X4143	PIN DEFLECTOR DISP (S/P)
328	WR2X4561	SPRING ICE DEFLECTOR (S/P)
328	WR17X10703	DEFLECTOR ICE DISP (S/P)
329	WR17X11403	WIRE ACTUATOR DISP (S/P)
330	WR2X10583	SPRING DEFLECTOR (S/P)
331	WR2X10580	RETAINER SPRING (S/P)
332	WR17X1361	BLADES MOVING DISP (S/P)
333	WR17X1362	BLADES MOVING DISP (S/P)
334	WR17X1363	BLADES MOVING DISP (S/P)
335	WR2X4139	SPACER (S/P)
337	WR2X4138	SPACER CRUSHER STATIONAR (S/P)
342	WR2X10691	STATIONARY BLADES ASM (S/P)
345	WR17X11497	COVER CRUSHER HSG DISP (S/P)
350	WR17X11939	AUGER ASM DISP (S/P)
352	WR30X10020	BUCKET ICE DISP (S/P)
354	WR17X12111	BUCKET AND AUGER ASM (S/P)
359	WR72X10145	GLIDE BUCKET RH DISP (S/P)
359	WR72X10144	GLIDE BUCKET LH DISP (S/P)
361	WR17X10702	DESCONTINUADO
362	WR2X10656	BRACKET ANGLE (S/P)
365	WR2X10565	DRIVE AUGER DISP (S/P)
366	WR1X10190	NUT J (S/P)
367	WR1X10198	SCR 8-18 TPT 1/4 (S/P)

368	WR2X10635	BRACKET IM (S/P)
369	WR60X10258	MOTOR CRUSHER DISP (S/P)
371	WR1X10192	SCR 10-18 HI/LO HXW 1/2 (S/P)
375	WR23X10172	HARNESS MOTOR & SOL (S/P)
377	WR2X7309	SADDLE SOLENOID (S/P)
378	WR62X0058	SOLENOID ARM ASM
379	WR17X1063	SHROUD SOLENOID (S/P)
380	WR17X1064	PLUNGER SOLENOID (S/P)
381	WR2X4257	PIN SPIRAL (S/P)
382	WR2X4258	SPRING SOLENOID LINKAGE (S/P)
383	WR17X1065	COLLAR SOLENOID DISP (S/P)
384	WR17X1066	STIRRUP SOLENOID DISP (S/P)
385	WR2X4259	PIN SPIRAL (S/P)
387	WR17X11968	COVER BUCKET DISP (S/P)
416	WR71X10314	SHELF CHILLER (S/P)
416	WR71X10314	SHELF CHILLER (S/P)
820	WR30X10012	ICEMAKER ASM
867	WR29X10064	CUP FILL IM (S/P)

GSS25LGMABB CANASTAS





GSS25LGMABB CANASTAS

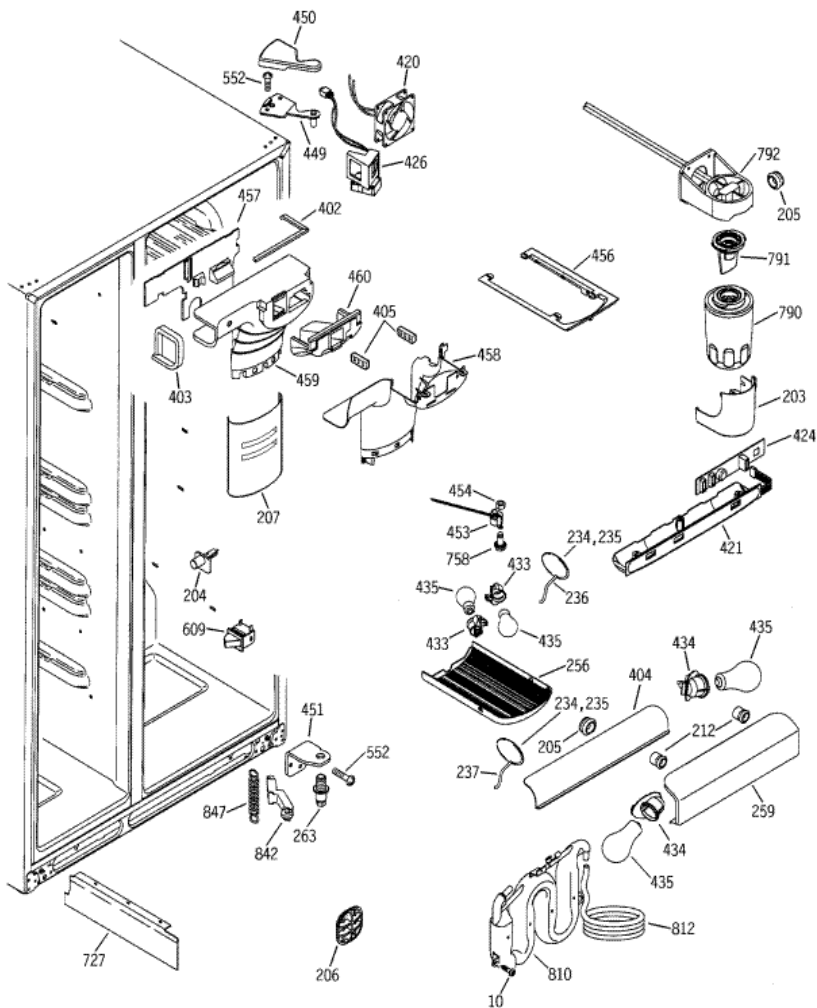
174	WR72X10062	SUPPORT SLIDE BASKET LH (S/P)
174	WR72X10061	SUPPORT SLIDE BASKET RH (S/P)
180	WR71X10259	SHELF FIXED FZ (S/P)
181	WR38X10214	TRIM SHELF FZ (S/P)
182	WR71X10703	SHELF SLIDEOUT FZ (S/P)
184	WR21X10030	BASKET WIRE SLIDEOUT FZ (S/P)
185	WR21X10031	HANDLE BASKET FZ HALF (S/P)
186	WR21X10029	BASKET WIRE SLIDEOUT FZ (S/P)

Distribuidor Autorizado

SurteRápido.com

Venta de Refacciones
Electrodomesticas

GSS25LGMABB DEPOSITO DE AGUA



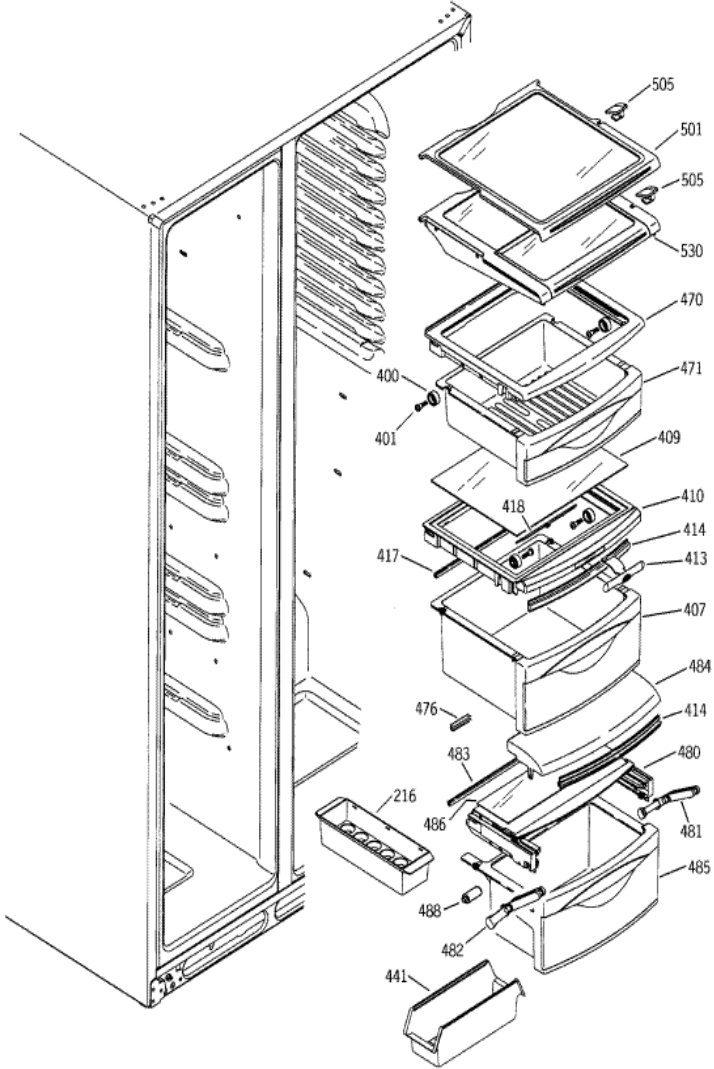


GSS25LGMABB DEPOSITO DE AGUA

10	WR1X10065	SCR 8-18 BA POR 5/8 SS (S/P)
203	WR17X10910	COVER WATER FILTER (S/P)
204	WR49X10135	FRAME SUPPORT PINS (S/P)
205	WR2X10678	GROMMET (S/P)
206	WR2X10671	GRILLE AIR RETURN (S/P)
207	WR17X10909	COVER INLET DISCHARGE (S/P)
212	WR2X10689	GROMMET BASE GRILLE (S/P)
234	WR2X10647	GRILLE SENSOR (S/P)
235	WR2X10668	SHUNT SENSOR (S/P)
236	WR55X10025	SENSOR TEMP FF
237	WR55X10025	SENSOR TEMP FF
256	WR17X10797	SHIELD LIGHT FRESNEL (S/P)
256	WR17X10839	SHIELD LIGHT FF (S/P)
259	WR17X10801	LIGHT SHIELD (S/P)
263	WR2X12263	PIN HINGE BTM ADJ HOLLOW (S/P)
402	WR49X10091	GASKET FF INLET
403	WR49X10091	GASKET FF INLET
404	WR17X10822	DIVERTER FF AIR FLOW (S/P)
405	WR2X10805	DIFFUSER FF INLET RT (S/P)
405	WR2X10806	DIFFUSER FF INLET LT (S/P)
420	WR49X10091	DC FRESH FOOD FAN
421	WR55X10070	CONTROL CUSTOMER ASM (S/P)
424	WR55X10172	BOARD ASM TEMP CONTROL
424	WR55X10172	BOARD ASM TEMP CONTROL
426	WR49X10091	DAMPER ASM
433	WR2X9391	SOCKET & TERMINAL ASM
434	WR2X10645	SOCKET LAMP (S/P)
435	STD372402	LAMP 40 W (S/P)
449	WR13X10217	HINGE TOP & PIN ASM (S/P)
450	WR2X10784	COVER HINGE (S/P)
450	WR2X10788	COVER HINGE (S/P)

451	WR13X10159	HINGE BTM (S/P)
451	WR13X10161	HINGE BTM (S/P)
453	WR9X10052	THERMOSTAT FF LIGHTS (S/P)
454	WR1X10212	NUT 8-32 (S/P)
456	WR71X10290	BEZEL LIGHT FF (S/P)
457	WR49X10091	EPS BACK FF INLET ASM
458	WR17X10912	COVER FF INLET (S/P)
459	WR49X10091	EPS FF INLET
460	WR49X10091	EPS BRIDGE FF INLET
552	WR1X2022	SCR 12-24 TT OVT .900 S (S/P)
609	WR23X10175	SWITCH LIGHT (S/P)
727	WR17X10820	SEPARATOR AIR HISIDE (S/P)
758	WD2X323	SCREW 8-32 X 3/8 SPH (S/P)
790	GWF	FILTER CANISTER
791	WR2X10577	PLUG BYPASS FILTER (S/P)
792	WR17X10707	FILTER MNT & TUBE ASM (S/P)
810	WR17X10734	WATER TANK & TUBE ASM (S/P)
812	WR17X2891	TUBE PLASTIC (S/P)
842	WR11X10011	LEVER ASM FF (S/P)
842	WR11X10009	LEVER ASM FF (S/P)
847	WR1X2027	SPRING CLOSURE (S/P)

GSS25LGMABB CAJONES





GSS25LGMABB CAJONES

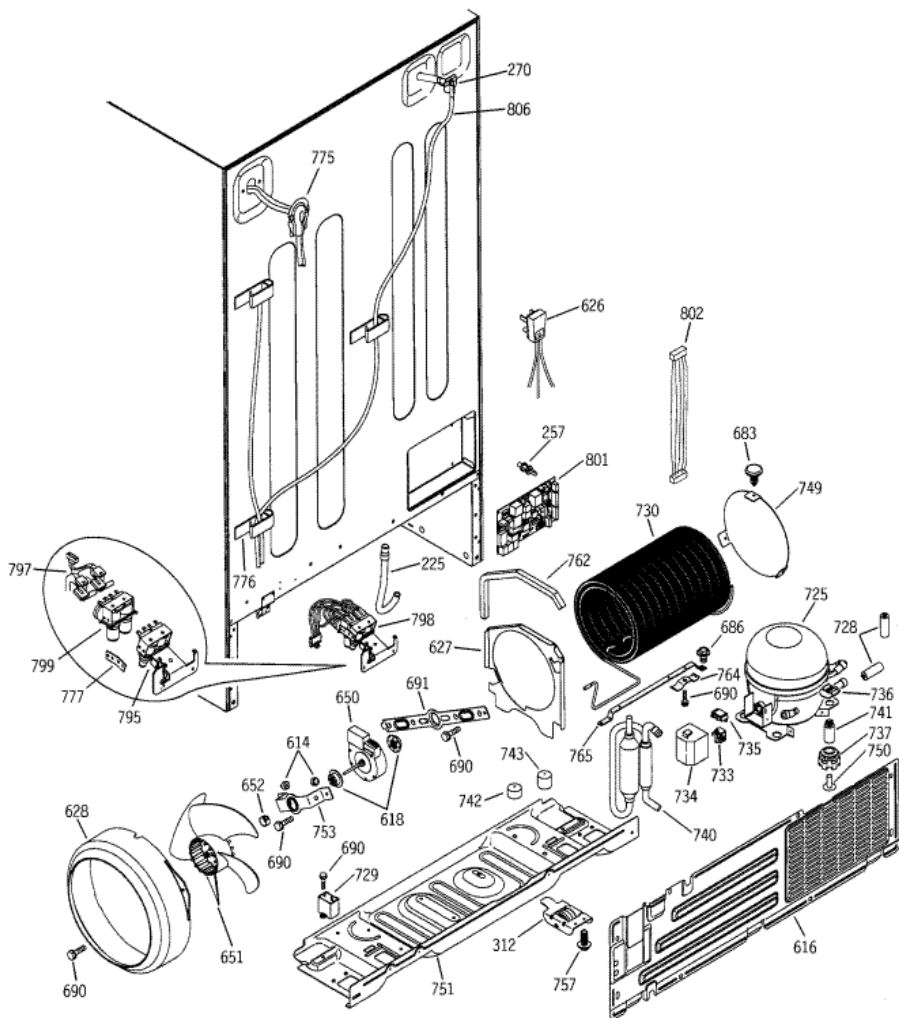
216	WR32X10150	BUCKET EGG (S/P)
400	WR1X10209	WHEEL PAN COVER (S/P)
401	WR1X10214	SCR 10-16 PL PNP 5/8 SZN (S/P)
407	WR32X10186	PAN MIDDLE ASM (S/P)
409	WR32X10156	GLASS PAN COVR (S/P)
410	WR32X10184	COVER MIDDLE PAN (S/P)
413	WR2X10801	HUMIDITY CONTROL (S/P)
414	WR14X10059	GASKET PAN CRV FRONT (S/P)
417	WR14X10058	GASKET PAN CRV REAR (S/P)
418	WR2X10633	SLIDE MIDDLE PAN COVER (S/P)
441	WR32X1575	BUCKET UTILITY (S/P)
470	WR32X10565	COVER TOP PAN ASM (S/P)
471	WR32X10187	PAN TOP ASM (S/P)
476	WR14X10102	GASKET PAN CRV REAR (S/P)
480	WR32X10153	COVER TOP MEAT (S/P)
481	WR2X10655	LINKAGE MEAT PAN RH (S/P)
482	WR2X10654	LINKAGE MEAT PAN LH (S/P)
483	WR14X10060	GASKET COVER REAR (S/P)
484	WR32X10146	COVER FRONT MEAT (S/P)
485	WR32X10369	PAN BOTTOM ASM (S/P)
486	WR32X10155	GLASS PAN COVR (S/P)
488	WR2X10815	BOSS SPACER (S/P)
501	WR71X10582	SHELF SLIDEOUT ASM (S/P)
505	WR2X10662	STOP SHELF (S/P)
530	WR71X10612	SHELF TUCKAWAY ASM (S/P)

Distribuidor Autorizado

SurteRápido.com

Venta de Refacciones
Electrodomesticas

GSS25LGMABB COMPRESOR





GSS25LGMABB COMPRESOR

225	WR2X10661	TUBE DRAIN (S/P)
257	WR2X10663	STAND OFF (S/P)
270	WR2X10841	GROMMET WATER FILL (S/P)
312	WR2X10571	MOBILITY BACK ASM (S/P)
614	WR2X10540	BUMPER LID (S/P)
616	WR82X10100	COVER ACCESS ASM (S/P)
618	WR2X10520	GROMMET COND FAN (S/P)
626	WR23X10300	POWER CORD (S/P)
626	WR1X5278	CLAMP CABLE (S/P)
627	WR17X11252	BAFFLE CONDENSER (S/P)
628	WR17X11252	SHROUD CONDENSER (S/P)
650	WR60X10209	MOTOR DC COND FAN (S/P)
651	WR60X10206	BLADE COND FAN ASM (S/P)
652	WR2X10509	RING COMPRESSION FAN (S/P)
683	WR2X10562	FASTENER PUSH (S/P)
686	WR1X10194	SCR 10-32 TT HXW 5/16 S (S/P)
690	WR1X1466	SCR 8-32 T HXW 3/8 S (S/P)
691	WR2X10593	BRACKET COND FAN (REAR) (S/P)
725	WR87X10042	COMPRESSOR REPL ASM (S/P)
728	WR14X10055	GROMMET TUBING SLIT (S/P)
729	WR62X79	CAPACITOR (S/P)
730	WR84X10022	CONDENSER REPL ASM (S/P)
733	WR7X10033	PTCR (S/P)
734	WR2X10556	DESCONTINUADO
735	WR8X10025	OVERLOAD (S/P)
736	WR2X8203	CLIP COMPRESSOR MOUNT (S/P)
737	WR2X10099	GROMMET (S/P)
740	WR86X96	DRYER BIFURCATED XH9 (S/P)
741	WR1X1779	STUD MTG COMPR (S/P)
742	WR2X10587	DESCONTINUADO
743	WR2X10588	DESCONTINUADO

749	WR17X11978	BAFFLE COND AIR
750	WR1X1786	SCR 10-32 TR T 1/2
751	WR17X10693	DESCONTINUADO
753	WR2X10521	BRACKET COND FAN (MTG) (S/P)
757	WR1X10193	SCR 10-32 SPECIAL (S/P)
762	WR14X10053	FOAM STRIP SE ADH (S/P)
764	WR2X9000	CLIP, CONDENSER MOUNT (S/P)
765	WR17X10695	BRACKET CONDENSER BAR (S/P)
775	WR17X10796	COVER WATER LINE (S/P)
776	WR2X10686	CLAMP TUBE (S/P)
776	WR2X10522	CLAMP TUBE (S/P)
777	WR2X10370	BRACKET WATER VALVE (S/P)
795	WR57X10023	VALVE ASM WATER (S/P)
797	WR23X10108	HARNESS (S/P)
798	WR57X10026	BRACKET & VALVE ASM (S/P)
799	WR57X10024	WATER VALVE ASM (S/P)
801	WR55X10037	BOARD ASM MAIN CONTROL (S/P)
802	WR23X10178	HARNESS BOARD INDIV (S/P)
806	WR17X10733	TUBE PLASTIC (S/P)
806	WR17X10920	TUBE PLASTIC (S/P)