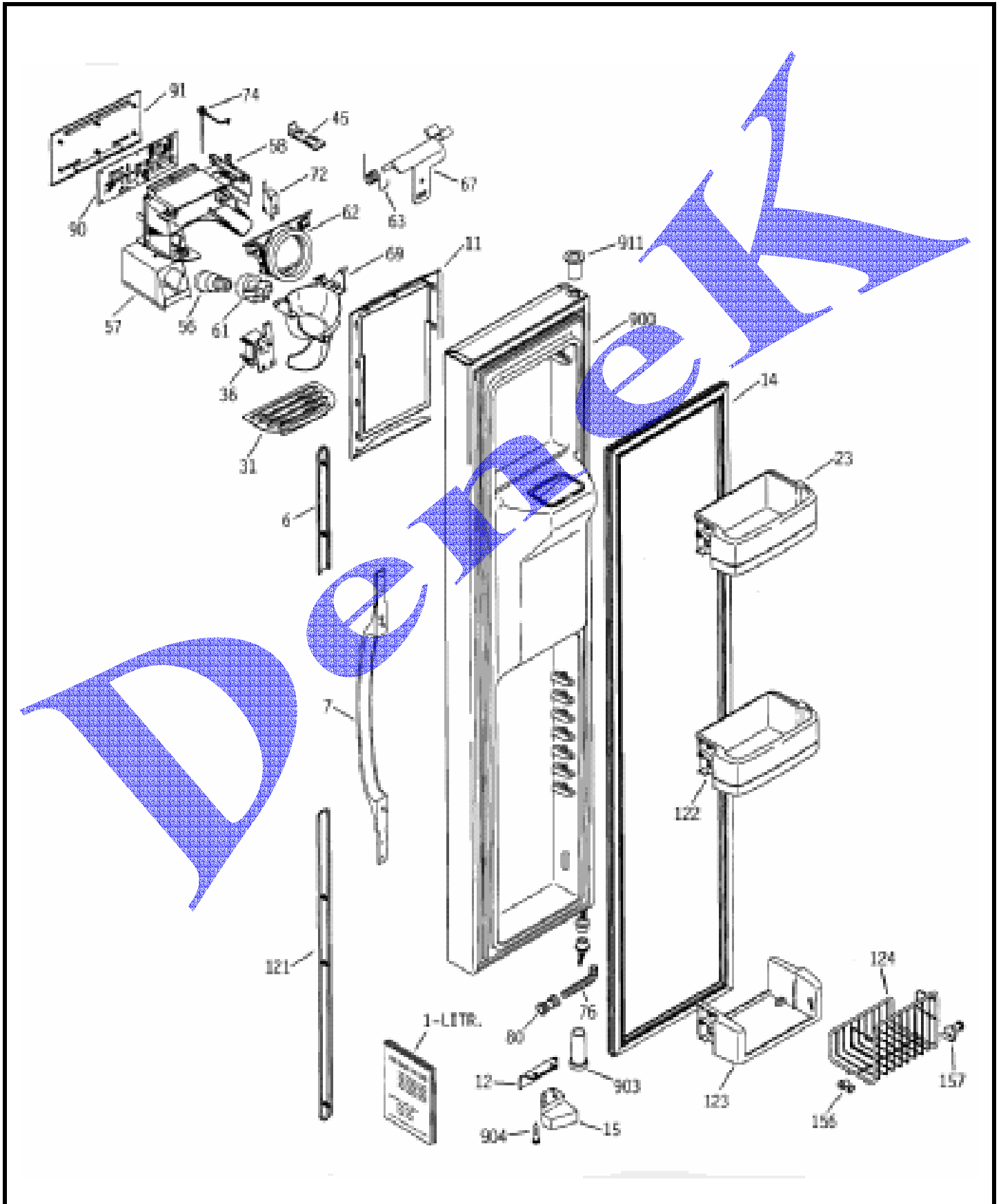


## GENERAL ELECTRIC GSS25LGMBBB

10782501



## GENERAL ELECTRIC GSS25LGMBBB

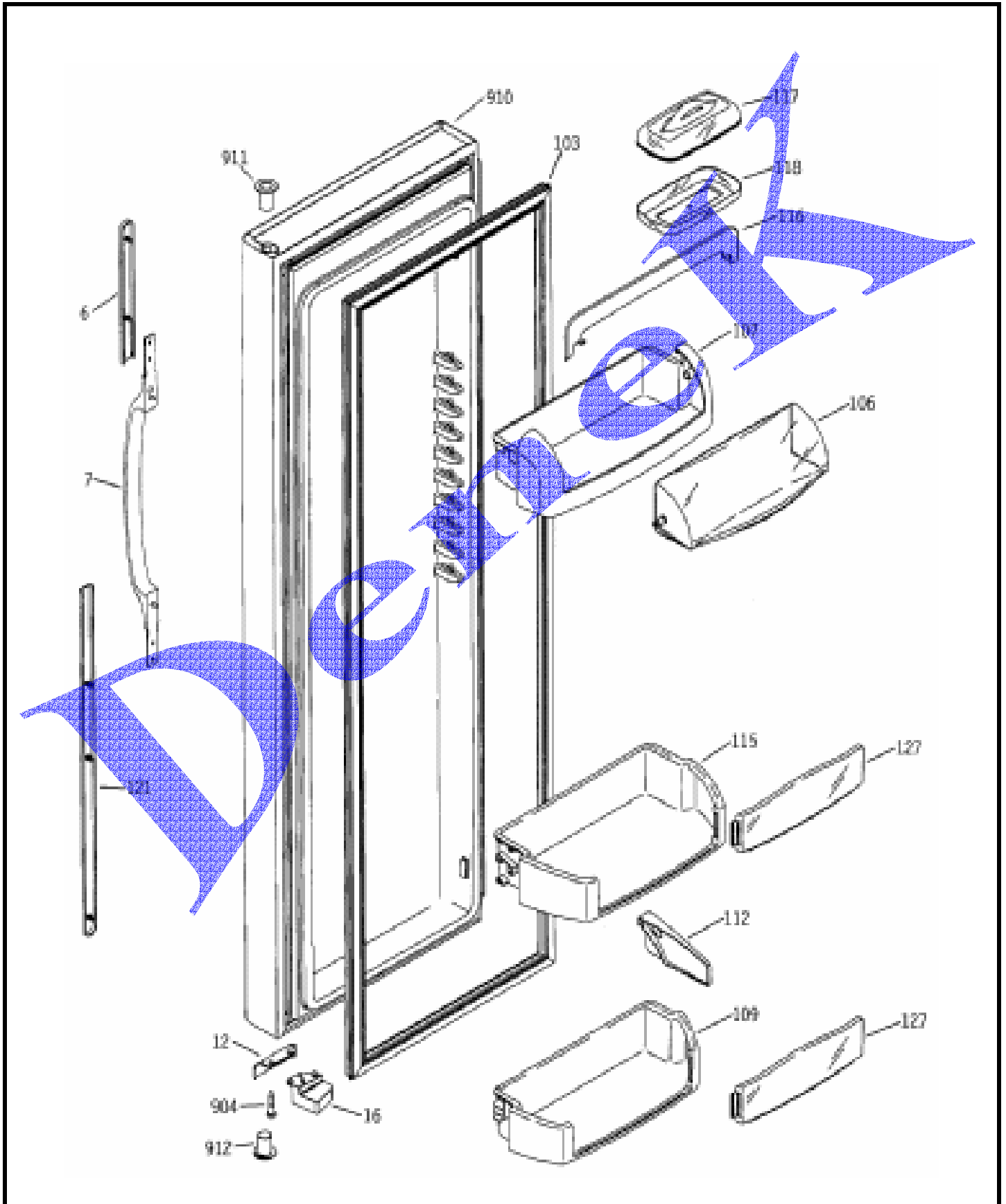
10782501

1	49-60134	PM GUIDE OWNERS
1	31-51361	PM MINI MANUAL WIRING
6	WR12X10352	TAIL HANDLE SXS BQ
6	WR12X10163	TAIL HANDLE SXS WH
6	WR12X10164	TAIL HANDLE SXS BK
7	WR12X10349	HANDLE SXS BQ
7	WR12X10332	HANDLE SXS WH
7	WR12X10434	HANDLE SXS BK
11	WR38X10231	RECESS TRIM FLAT BK
11	WR38X10229	RECESS TRIM CLAD BQ
11	WR38X10227	RECESS TRIM CLAD MDEL WH
12	WR02X10817	STOP DOOR BQ
12	WR02X10814	STOP DOOR BK
12	WR02X10649	STOP DOOR WH
14	WR24X10072	GASKET DOOR FZ BK
14	WR24X10065	GASKET DOOR FZ WH
15	WR02X10638	CAM CLOSURE FZ WH
15	WR02X10780	CAM CLOSURE FZ BK
23	WR71X10254	MODULE SHELF FZ FIXED
31	WR17X10810	GRILLE RECESS WH
31	WR17X10895	GRILLE RECESS BK
31	WR17X10897	GRILLE RECESS BQ
36	WR62X10020	SOLENOID ASM
45	WR02X8818	RETAINER RECESS DOOR
56	WR02X10675	BULB RECS 12V
57	WR02X10670	REFLECTOR LIGHT
58	WR17X10813	HOUSING SHIELD DISP WH
58	WR17X10814	HOUSING SHIELD DISP BQ
58	WR17X10815	HOUSING SHIELD DISP BK
61	WR02X9561	LAMP SOCKET
62	WR17X3093	DOOR RECESS ASM
63	WR02X10585	SPRING RECESS DOOR
67	WR17X10706	CRANK DOOR RECESS
69	WR17X10752	FUNNEL ICE DISP BQ
69	WR17X10743	FUNNEL ICE DISP BK
69	WR17X10711	FUNNEL ICE DISP WH
72	WR23X10224	SWITCH
74	WR02X10584	SPRING FUNNEL
76	WR02X8933	SLEEVE WATER LINE
80	WR02X10471	CONNECTOR,TUBE
90	WR55X10063	BOARD ASM DISP
91	WR55X10073	CONTROL DISP ASM WH
91	WR55X10071	CONTROL DISP ASM
91	WR55X10072	CONTROL DISP ASM
121	WR12X10219	TAIL HANDLE SXS WH
121	WR12X10218	TAIL HANDLE SXS BK
121	WR12X10435	TAIL HANDLE SXS BQ

122	WR71X10291	MODULE SHELF FZ
123	WR71X10255	MODULE SUPPORT FZ
124	WR21X10024	BASKET WIRE TILTOUT FZ
156	WR13X10130	HINGE TILTOUT FZ LH
157	WR13X10131	HINGE TILTOUT FZ RH
900	WR78X10423	DOOR FOAM ASM FZ WH
900	WR78X10427	DOOR FOAM ASM FZ BK
900	WR78X10429	DOOR FOAM ASM FZ BQ
903	WR01X10237	THIMBLE DOOR BTM FZ BQ
903	WR01X10234	THIMBLE DOOR BTM FZ BK
903	WR01X10208	THIMBLE DOOR BTM FZ WH
904	WR01X2134	SCR 10-32 PNT 1.0 S LW
911	WR01X10236	THIMBLE DOOR TOP BQ
911	WR01X10233	THIMBLE DOOR TOP BK
911	WR01X10207	THIMBLE DOOR TOP WH

## GENERAL ELECTRIC GSS25LGMBBB

10782502



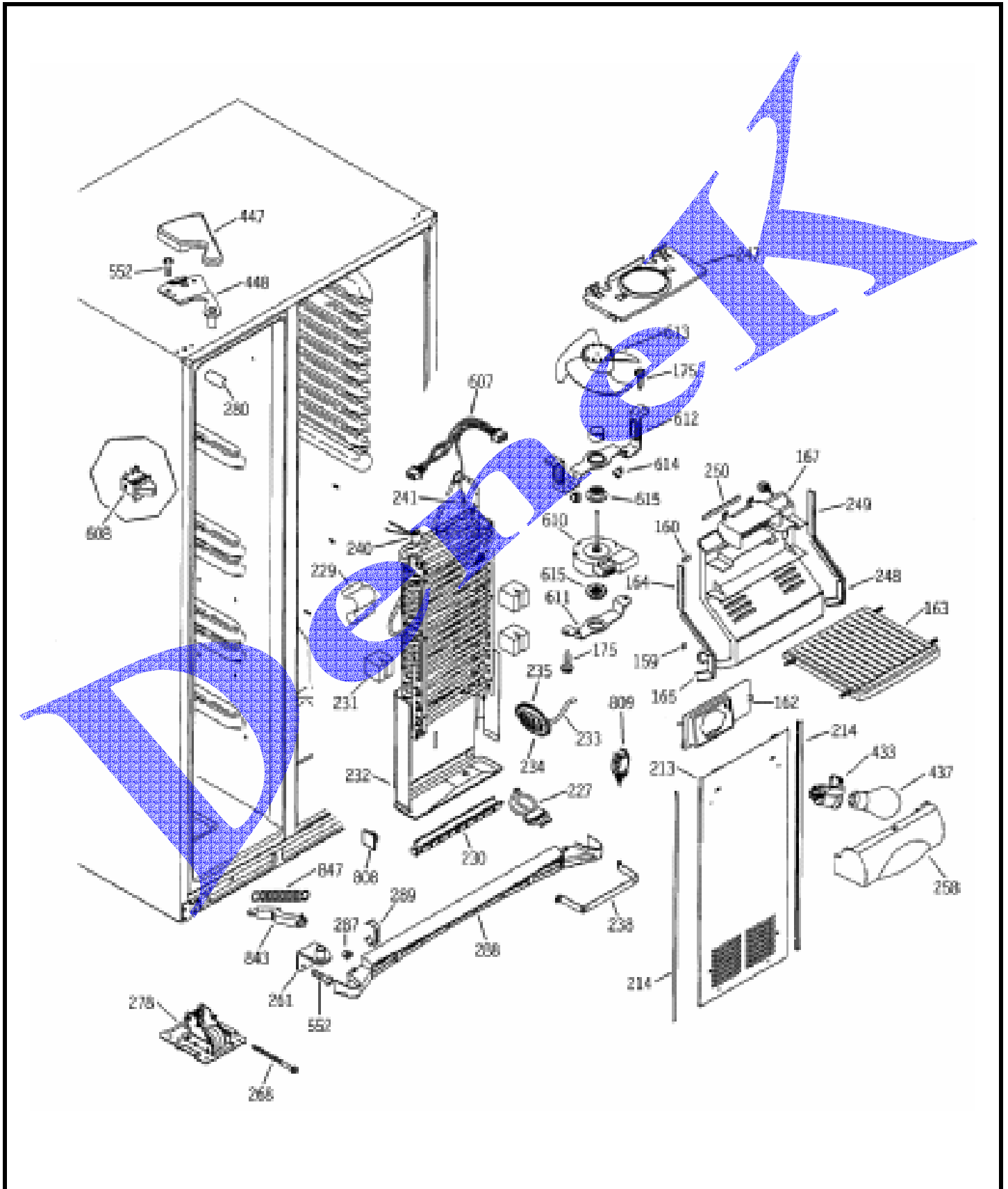
## GENERAL ELECTRIC GSS25LGMBBB

10782502

6	WR12X10164	TAIL HANDLE SXS BK
6	WR12X10163	TAIL HANDLE SXS WH
6	WR12X10352	TAIL HANDLE SXS BQ
7	WR12X10434	HANDLE SXS BK
7	WR12X10332	HANDLE SXS WH
7	WR12X10349	HANDLE SXS BQ
12	WR02X10817	STOP DOOR BQ
12	WR02X10649	STOP DOOR WH
12	WR02X10814	STOP DOOR BK
16	WR02X10637	CAM CLOSURE FF WH
16	WR02X10779	CAM CLOSURE FF BK
103	WR24X10071	GASKET DOOR FF BK
103	WR24X10064	GASKET DOOR FF WH
106	WR22X10022	DOOR DAIRY CLEAR
107	WR22X10021	COMPARTMENT DAIRY
109	WR71X10244	MODULE SHELF FF
112	WR02X10639	SNUGGER
115	WR71X10253	MODULE SHELF FF
116	WR22X10023	TRIM DAIRY COMPARTMENT
117	WR22X10027	LID DISH BUTTER
118	WR22X10026	DISH BUTTER
121	WR12X10435	TAIL HANDLE SXS BQ
121	WR12X10219	TAIL HANDLE SXS WH
121	WR12X10218	TAIL HANDLE SXS BK
127	WR71X10289	INSERT MODULE
904	WR01X2134	SCR 10-32 PNT 1.0 S LW
910	WR78X10428	DOOR FOAM ASM FF BQ
910	WR78X10422	DOOR FOAM ASM FF WH
910	WR78X10426	DOOR FOAM ASM FF BK
911	WR01X10236	THIMBLE DOOR TOP BQ
911	WR01X10207	THIMBLE DOOR TOP WH
911	WR01X10233	THIMBLE DOOR TOP BK
912	WR01X10235	THIMBLE DOOR BTM BQ
912	WR01X10232	THIMBLE DOOR BTM BK
912	WR01X10206	THIMBLE DOOR BTM WH

## GENERAL ELECTRIC GSS25LGMBBB

10782503



## GENERAL ELECTRIC GSS25LGMBBB

10782503

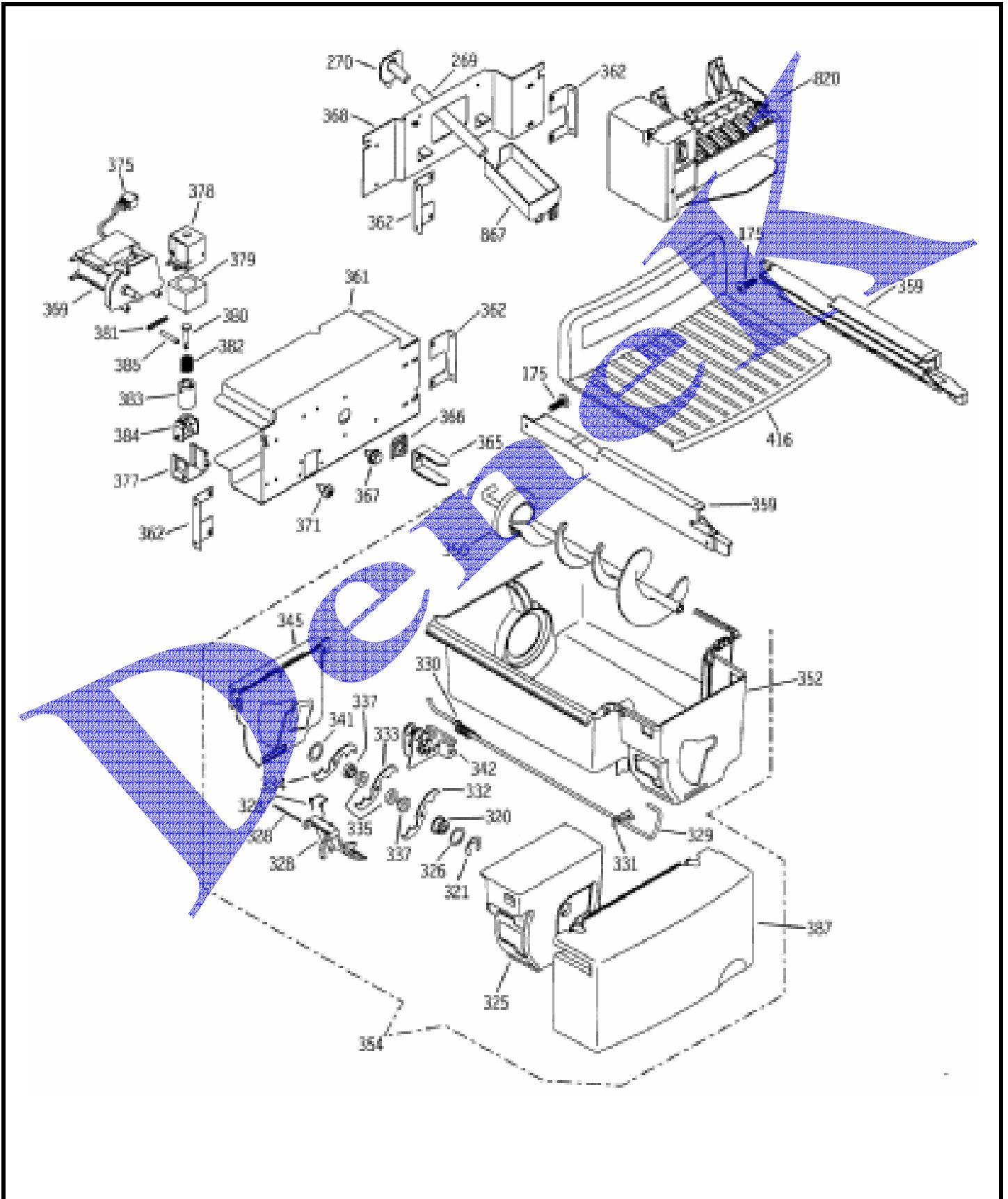
159	WR14X10067	FOAM STRIP SE ADH
160	WR14X10068	FOAM STRIP SE ADH
162	WR02X10634	REFLECTOR FZ
163	WR71X10252	SHELF FZ UPPER
164	WR14X10074	GASKET PLENUM
165	WR14X10065	GASKET PLENUM
167	WR17X10838	PLENUM FAN EVAPORATOR
175	WR01X10035	SCR 8-18 AB IHW 5/8 S
213	WR17X10908	COVER EVAPORATOR FRONT
214	WR14X10072	GASKET EVAP COVER
227	WR23X10142	HARNES DEF HEATER
229	WR02X10552	CLIP EVAP THERMISTOR
230	WR51X10030	HEATER & BRACKET ASM
231	WR02X10669	BLOCK EVAP SEAL
232	WR17X10811	SHIELD ASM TROUGH
233	WR55X10026	SENSOR TEMP FZ
234	WR02X10647	GRILLE SENSOR
235	WR02X10668	SHUNT SENSOR
238	WR02X10667	BRACKET EVAP COVER
240	WR50X10028	DEFROST THERMOSTAT
241	WR55X10025	SENSOR TEMPERATURE FF
247	WR17X10812	ORIFICE FAN ASM
248	WR14X10066	GASKET PLENUM
249	WR14X10073	GASKET PLENUM
250	WR14X10069	FOAM STRIP SE ADH
258	WR17X10840	SHIELD LIGHT FZ
261	WR13X10137	HINGE BTM & PIN ASM WH
261	WR13X10160	HINGE BTM & PIN ASM BK
261	WR13X10162	HINGE BTM & PIN ASM BQ
268	WR01X10210	SCREW MOBILITY 3.5
278	WR02X10636	MOBILITY FRONT ASM
280	WR02X10785	CAP CORNER OC BQ
280	WR02X10781	CAP CORNER OC BK
280	WR02X10640	CAP CORNER OC WH
287	WR02X10836	SPACER GRILL BASE
288	WR74X10064	GRILL BASE ASM WH
288	WR74X10070	GRILL BASE ASM BQ
288	WR74X10069	GRILL BASE ASM BK
289	WR02X7646	CLIP BASE GRILLE
433	WR02X9391	SOCKET & TERMINAL ASM
437	60A	LAMP 60W APPL
447	WR02X10783	COVER HINGE BK
447	WR02X10687	COVER HINGE WH
447	WR02X10787	COVER HINGE BQ
448	WR13X10135	HINGE TOP & PIN ASM
552	WR01X2022	SCREW
607	WR23X10223	HARNES DC FZ INTERMED.

608	WR23X10179	SWITCH LIGHT
610	WR60X10043	MOTOR DC EVAP FAN
611	WR02X10548	BRACKET EVAP FAN BTM
612	WR02X10653	BRACKET ORIFICE FAN
613	WR60X10055	BLADE EVAP FAN ASM
614	WR02X10540	BUMPER LID
615	WR02X10519	GROMMET EVAP FAN
808	WR02X4039	ADHESIVE CLIP
809	WR01X1936	FASTENER WATER TUBE
843	WR11X10012	LEVER ASM FZ SIDE BQ
843	WR11X10008	LEVER ASM FZ SIDE WH
843	WR11X10010	LEVER ASM FZ SIDE BK
847	WR01X2027	SPRING CLOSURE



## GENERAL ELECTRIC GSS25LGMBBB

10782504



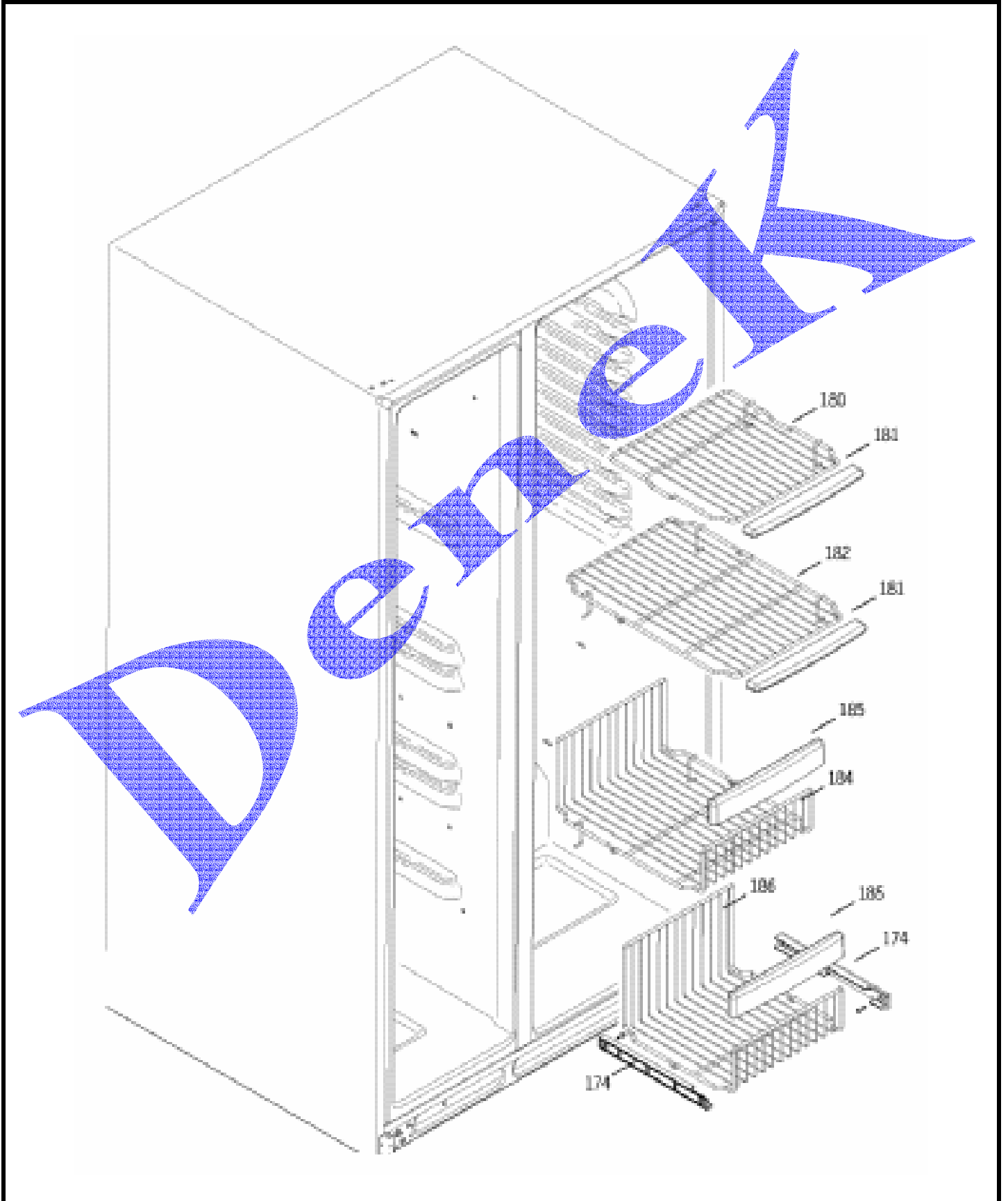
## GENERAL ELECTRIC GSS25LGMBBB

10782504

175	WR01X10035	SCR 8-18 AB IHW 5/8 S
269	WR02X10960	TUBE IM FILL
270	WR02X10967	GROMMET AND GASKET ASM
320	WR01X10189	NUT AUGER FRT DISP
321	WR01X1367	RETAINER RING E
325	WR17X10717	HOUSING CRUSHER DISP
326	WR01X1366	WASHER
328	WR02X4143	PIN DEFLECTOR DISP
328	WR17X10703	DEFLECTOR ICE DISP
328	WR02X4561	SPRING ICE DEFLECTOR
329	WR17X10735	WIRE ACTUATOR DISP
330	WR02X10583	SPRING DEFLECTOR
331	WR02X10580	RETAINER SPRING
332	WR17X1361	BLADES MOVING DISP
333	WR17X1362	BLADES MOVING DISP
334	WR17X1363	BLADES MOVING DISP
335	WR02X4139	SPACER CRUSHER MIDDLE
337	WR02X4138	SPACER CRUSHER STATIONAR
341	WR29X10045	WASHER CRUSHER BLADE
342	WR02X10691	STATIONARY BLADES ASM
345	WR17X10699	COVER CRUSHER HSG DISP
350	WR17X10835	AUGER ASM DISP
352	WR30X10020	BUCKET ICE DISP
354	WR17X10834	BUCKET AND AUGER ASM
359	WR72X10048	GLIDE BUCKET RH DISP
359	WR72X10047	GLIDE BUCKET LH DISP
361	WR17X10702	COVER MOTOR & SOLENOID
362	WR02X10656	BRACKET ANGLE
365	WR02X10565	DRIVE AUGER DISP
366	WR01X10190	NUT J
367	WR01X10198	SCR 8-18 TPT 1/4
368	WR02X10982	BRACKET IM
369	WR60X10056	MOTOR CRUSHER DISP
371	WR01X10192	SCR 10-18 HI/LO HXW 1/2
375	WR23X10172	HARNESS MOTOR & SOL
377	WR02X7309	SADDLE SOLENOID
378	WR62X0058	SOLENOID & ARM ASM
379	WR17X1063	SHROUD SOLENOID
380	WR17X1064	PLUNGER SOLENOID
381	WR02X4257	PIN SPIRAL
382	WR02X4258	SPRING SOLENOID LINKAGE
383	WR17X1065	COLLAR SOLENOID DISP
384	WR17X1066	STIRRUP SOLENOID DISP
385	WR02X4259	PIN SPIRAL
387	WR17X10789	COVER BUCKET DISP
416	WR71X10314	SHELF CHILLER
820	WR30X10012	ICEMAKER ASM
867	WR29X10042	CUP FILL IM

GENERAL ELECTRIC GSS25LGMBBB

10782505



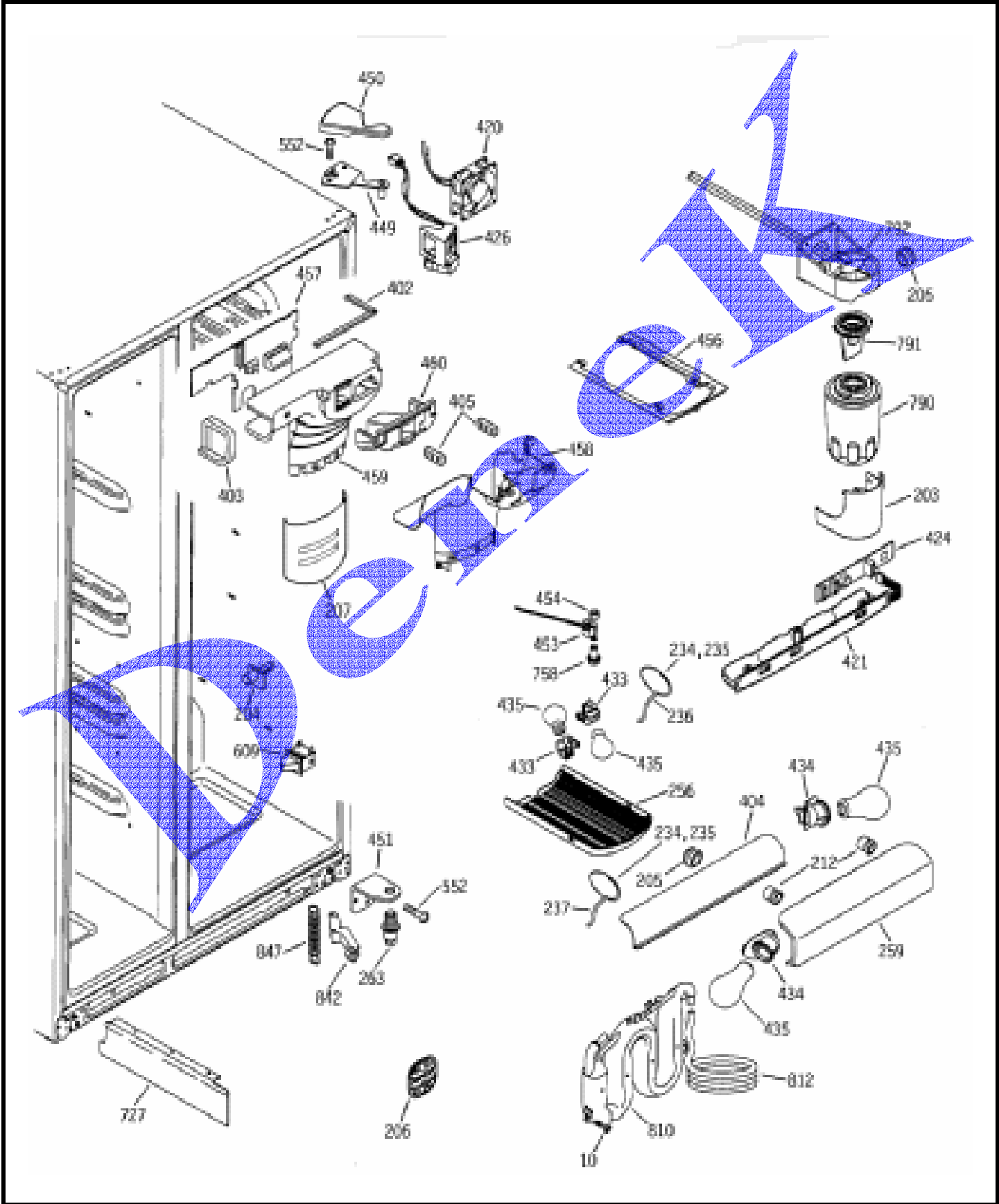
## GENERAL ELECTRIC GSS25LGMBBB

10782505

174	WR72X10061	SUPPORT SLIDE BASKET R
174	WR72X10062	SUPPORT SLIDE BASKET L
180	WR71X10259	SHELF FIXED FZ
181	WR38X10214	TRIM SHELF FZ
182	WR71X10274	SHELF SLIDEOUT FZ
184	WR21X10030	BASKET WIRE SLIDEOUT FZ
185	WR21X10031	HANDLE BASKET FZ HALF
186	WR21X10029	BASKET WIRE SLIDEOUT FZ

**GENERAL ELECTRIC GSS25LGMBBB**

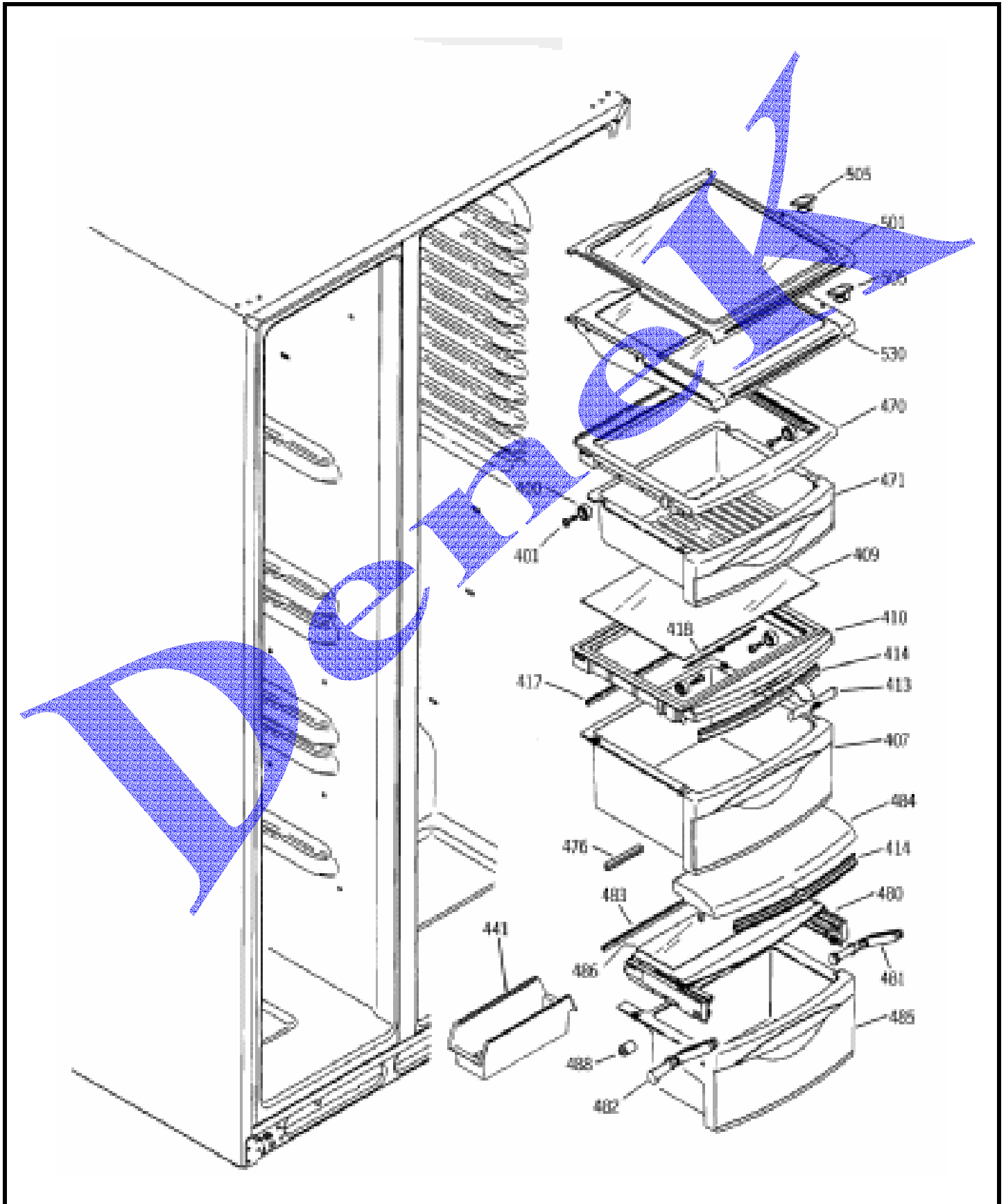
10782506



**GENERAL ELECTRIC GSS25LGMBBB**

10782506

10	WR01X10065	SCR 8-18 BA POR 5/8 SS
203	WR17X10910	COVER WATER FILTER
204	WR02X10676	FRAME SUPPORT PINS
205	WR02X10678	GROMMET
206	WR02X10671	GRILLE AIR RETURN
207	WR17X10909	COVER INLET DISCHARGE
212	WR02X10689	GROMMET BASE GRILLE
234	WR02X10647	GRILLE SENSOR
235	WR02X10668	SHUNT SENSOR
236	WR55X10027	SENSOR TEMP FF
237	WR55X10028	SENSOR TEMP FF
256	WR17X10839	SHIELD LIGHT FF
259	WR17X10911	LIGHT SHIELD
263	WR02X10648	PIN HINGE BTM ADJ HOLLOW
402	WR14X10070	GASKET FF INLET
403	WR14X10071	GASKET FF INLET
404	WR17X10949	DIVERTER FF AIRFLOW
405	WR02X10806	DIFFUSER FF INLET LT
405	WR02X10805	DIFFUSER FF INLET RT
420	WR60X10051	DC FRESH FOOD FAN
421	WR55X10070	CONTROL CUSTOMER ASM
424	WR55X10099	BOARD ASM TEMP CONTROL
426	WR60X10052	DAMPER ASM
433	WR02X9391	SOCKET & TERMINAL ASM
434	WR02X10645	SOCKET LAMP
435	STD372402	LAMP 40W 120V
449	WR13X10136	HINGE TOP & PIN ASM
450	WR02X10784	COVER HINGE BK
450	WR02X10688	COVER HINGE WH
450	WR02X10788	COVER HINGE BQ
451	WR13X10161	HINGE BTM BQ
451	WR13X10134	HINGE BTM WH
451	WR13X10159	HINGE BTM BK
453	WR23X10209	HARNESS/TSTAT FF LT
454	WR01X10212	NUT 8-32
456	WR71X10290	BEZEL LIGHT FF
457	WR17X10870	EPS BACK FF INLET ASM
458	WR17X10912	COVER FF INLET
459	WR17X10869	EPS FF INLET ASM
460	WR17X10871	EPS BRIDGE FF INLET
552	WR01X2022	SCREW
609	WR23X10175	SWITCH LIGHT
727	WR17X10820	SEPARATOR AIR HISIDE
758	WD02X0323	SCREW 8-32 X 3/8 SPH
790	GWF	WATER FILTER
791	WR02X10577	PLUG BYPASS FILTER
792	WR17X11028	FILTER ASM AND TUBE
810	WR17X10734	WATER TANK & TUBE ASM
812	WR17X10732	TUBE PLASTIC
842	WR11X10007	LEVER ASM FF SIDE WH
842	WR11X10011	LEVER ASM FF SIDE BQ
842	WR11X10009	LEVER ASM FF SIDE BK
847	WR01X2027	SPRING CLOSURE



## GENERAL ELECTRIC GSS25LGMBBB

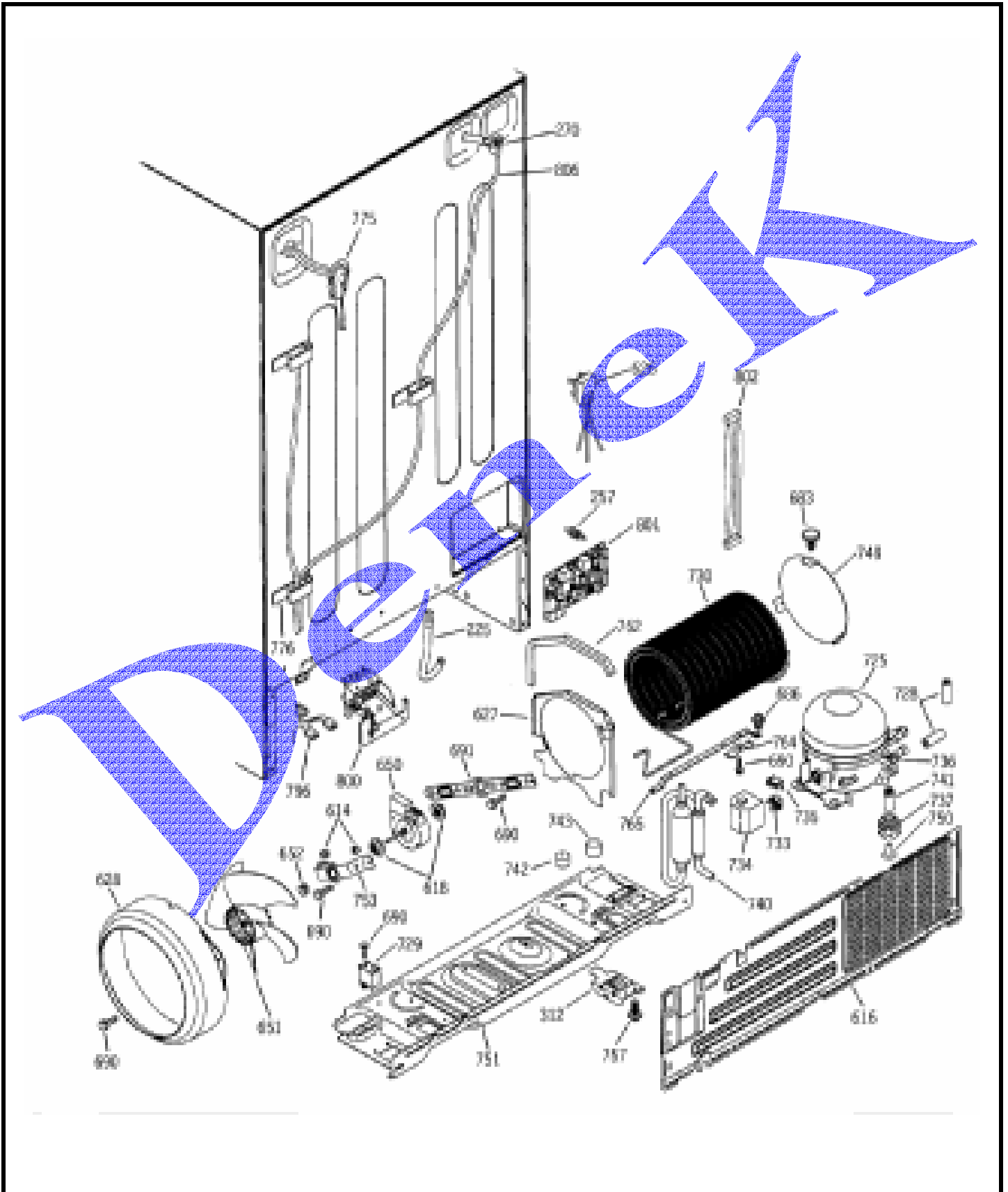
10782507

400	WR01X10209	WHEEL PAN COVER
401	WR01X10214	SCR 10-16 PL PNP 5/8 SZN
407	WR32X10186	PAN MIDDLE ASM
409	WR32X10156	GLASS PAN COVR
410	WR32X10184	COVER MIDDLE PAN
413	WR02X10801	HUMIDITY CONTROL
414	WR14X10059	GASKET PAN CRV FRONT
417	WR14X10058	GASKET PAN CRV REAR
418	WR02X10633	SLIDE MIDDLE PAN COVER
441	WR17X10919	BUCKET UTILITY
470	WR32X10182	COVER TOP PAN ASM
471	WR32X10187	PAN TOP ASM
476	WR14X10102	GASKET PAN CRV REAR
480	WR32X10153	COVER TOP MEAT
481	WR02X10655	LINKAGE MEAT PAN RH
482	WR02X10654	LINKAGE MEAT PAN LH
483	WR14X10060	GASKET COVER REAR
484	WR32X10146	COVER FRONT MEAT
485	WR32X10185	PAN BOTTOM ASM
486	WR32X10155	GLASS PAN COVR
488	WR02X10815	BOSS SPACER
501	WR71X10288	SHELF SLIDEOUT ASM
505	WR02X10662	STOP SHELF
530	WR71X10287	SHELF TUCKAWAY ASM



## GENERAL ELECTRIC GSS25LGMBBB

10782508



## GENERAL ELECTRIC GSS25LGMBB

10782508

225	WR02X10661	TUBE DRAIN
257	WR02X10663	STAND OFF
270	WR02X10967	GROMMET AND GASKET ASM
312	WR02X10571	MOBILITY BACK ASM
614	WR02X10540	BUMPER LID
616	WR82X10071	COVER ACCESS ASM
618	WR02X10520	GROMMET COND FAN
626	WR23X0108	POWER CORD
627	WR17X10691	BAFFLE CONDENSER
628	WR17X10726	SHROUD CONDENSER
650	WR60X10053	MOTOR DC COND FAN
651	WR60X10049	BLADE COND FAN ASM
652	WR02X10509	RING COMPRESSION
683	WR02X10562	FASTENER PUSH
686	WR01X10194	SCR 10-32 TT HXW 5/16 S
690	WR01X1466	SCR 8-32 T HXW 3/8 S
691	WR02X10593	BRACKET COND FAN (REAR)
725	WR87X10042	COMPR REPL KIT
728	WR14X10055	GROMMET TUBING SLIT
729	WR62X0079	CAPACITOR
730	WR84X10022	COND REPL ASM
733	WR07X10033	PTCR
734	WR02X10556	COVER RELAY SNAP(MEI)
735	WR08X10025	OVERLOAD
736	WR02X8203	CLIP COMPRESSOR MOUNT
737	WR02X10099	GROMMET
740	WR86X0096	DRYER BIFURCATED XH9
741	WR01X1779	STUD MTG COMPR
742	WR02X10587	SUPPORT CONDENSER
743	WR02X10588	SUPPORT CONDENSER
749	WR17X10694	BAFFLE COND AIR
750	WR01X1786	SCREW 10-32 TR 1/2
751	WR17X10693	BASEPLATE HIGH SIDE
753	WR02X10521	BRKT COND FAN (MTG)
757	WR01X10193	SCR 10-32 SPECIAL
762	WR14X10053	FOAM STRIP SE ADH
764	WR02X9000	CLIP COND MNT
765	WR17X10695	BRACKET CONDENSER BAR
775	WR17X10796	COVER WATER LINE
776	WR02X10522	CLAMP TUBE
796	WR23X10168	HARNESS WATER VALVE
800	WR57X10032	WATER VALVE WITH GUARD
801	WR55X10109	BOARD ASM MAIN CONTROL
802	WR23X10178	HARNESS BOARD INDIV
806	WR17X10733	TUBE PLASTIC