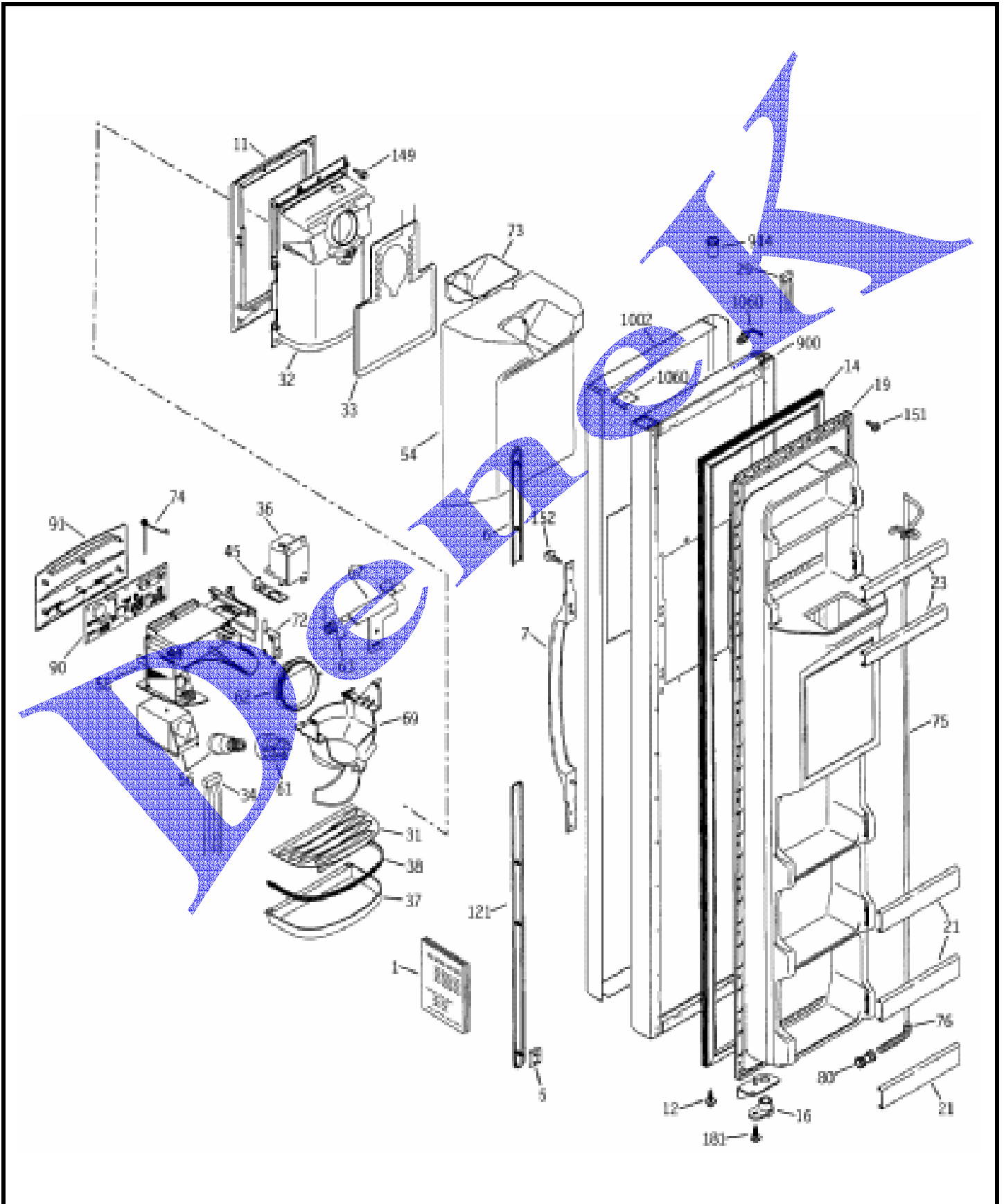


GENERAL ELECTRIC GSS25SGMABS

10751001



GENERAL ELECTRIC GSS25SGMABS

10751001

1	49-60087	PM GUIDE OWNERS
1	31-51343	PM MINI MANUAL WIRING
5	WR02X10432	DART CLIP
6	WR12X10402	TAIL HANDLE SXS BK
7	WR12X10132	HANDLE SXS ASM BK
11	WR38X10202	TRIM RECESS DISP BK
12	WR02X10608	PLATE DOOR STOP FZ BK
14	WR24X10056	GASKET DOOR FZ BK
16	WR02X10566	HINGE CAM & THIMBLE FZ
19	WR77X10035	DOOR INNER FZ DISP
21	WR17X10709	FRONT DOOR SHELF
23	WR17X10710	FRONT DOOR SHELF
29	WR23X10181	HARNESS COMM FZ DR
31	WR17X10745	GRILL RECESS BK
32	WR17X10747	RECESS ICE DISPENSER BK
33	WR51X10045	HEATER RECESS
34	WR23X10166	HARNESS RECESS DISP
36	WR62X10020	SOLENOID ASM
37	WR02X10606	CUP RECESS BK
38	WR14X10046	GASKET CUP RECESS
45	WR02X8818	RETAINER RECESS DOOR
54	WR17X10720	INSULATION RECESS
56	WR02X10670	REFLECTOR LIGHT
56	WR02X10675	BULB RECS 12V
58	WR17X10815	HOUSING SHIELD DISP BK
61	WR02X9561	LAMP SOCKET
62	WR17X3093	DOOR RECESS ASM
63	WR02X10585	SPRING RECESS DOOR
67	WR17X10706	CRANK DOOR RECESS
69	WR17X10743	FUNNEL ICE DISP BK
72	WR23X10171	SWITCH
73	WR17X10736	CHUTE ICE ASM
74	WR02X10584	SPRING FUNNEL
75	WR17X10831	TUBE FORMED ASM BK
76	WR02X8933	SLEEVE WATER LINE
80	WR02X10471	CONNECTOR,TUBE
90	WR55X10031	BOARD ASM DISP
91	WR55X10042	BRACKET & OVERLAY BK
121	WR12X10403	TAIL HANDLE SXS BK
149	WR01X10196	SCR 8-18 HI/LO 5/8
151	WR01X1554	SCR 8-18 AB IHXW 1/2 S
152	WR01X10038	SCR 8-18 AB FLTR 5/8 S
181	WR01X10215	SCR 10-32 TT HXW 3/4 S
900	WR78X10342	DOOR FOAM ASM FZ BK
914	WR01X10200	THIMBLE DOOR TOP
1002	WR99X10024	DOOR OUTER FZ CLAD SS
1060	WR02X10772	CAP CORNER MULLION FZ

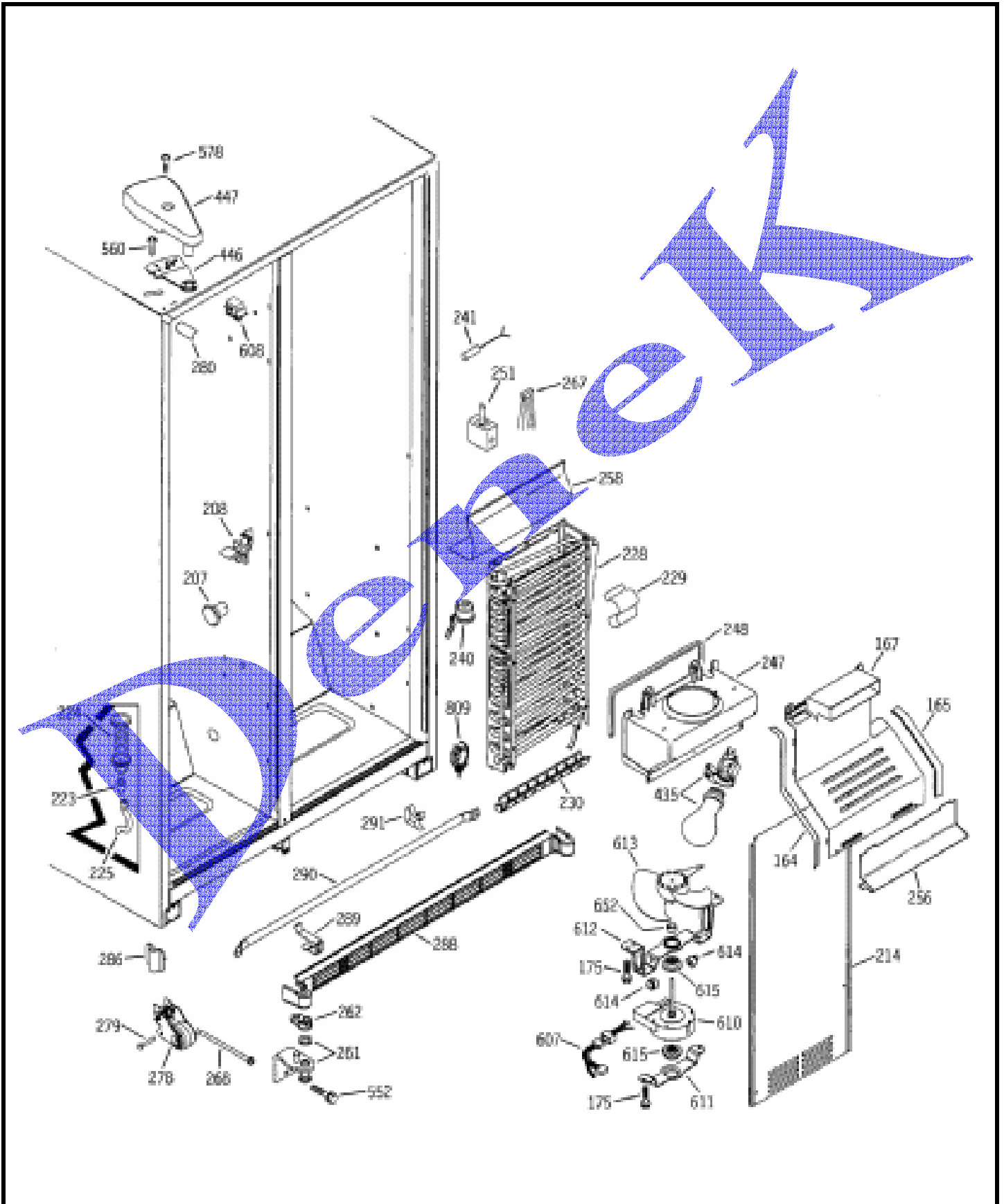
GENERAL ELECTRIC GSS25SGMABS

10751002

5	WR02X10432	DART CLIP
6	WR12X10402	TAIL HANDLE SXS BK
7	WR12X10132	HANDLE SXS ASM BK
17	WR02X10607	PLATE DOOR STOP FF BK
18	WR02X10567	HINGE CAM & THIMBLE FF
103	WR24X10055	GASKET DOOR FF BK
106	WR22X10012	DOOR DAIRY
108	WR77X10034	DOOR INNER FF
109	WR71X10232	SHELF MODULE FIXED FF
115	WR71X10231	SHELF MODULE FF
118	WR19X5003	DISH BUTTER
121	WR12X10403	TAIL HANDLE SXS BK
128	WR02X10582	SNUGGER MODULE
151	WR01X1554	SCR 8-18 AB IHXW 1/2 S
152	WR01X10038	SCR 8-18 AB FLTR 5/8 S
181	WR01X10215	SCR 10-32 TT HXW 3/4 S
910	WR78X10341	DOOR FOAM ASM FF BK
911	WR01X10201	THIMBLE TOP CLOSED
1003	WR99X10023	DOOR OUTER FF CLAD SS
1061	WR02X10769	CAP CORNER HINGE FF
1061	WR02X10771	CAP CORNER MULLION FF

GENERAL ELECTRIC GSS25SGMABS

10751003



GENERAL ELECTRIC GSS25SGMABS

10751003

164	WR14X10049	GASKET DUCT FZ
165	WR14X10048	GASKET DUCT FZ
167	WR17X10705	DUCT AIR FZ
175	WR01X2023	SCR 8-18 AB IHW 5/8 S
175	WR01X10035	SCR 8-18 AB IHW 5/8 S
207	WR02X4676	GROMMET SHELF
208	WR02X4674	SUPPORT SHELF
214	WR01X10064	CLIP EVAP COVER
214	WR17X10701	COVER EVAP
214	WR14X10045	GASKET COVER EVAP
223	WR02X10698	TUBE DRAIN COUPLING
224	WR02X10563	GROMMET DRAIN TUBE
225	WR01X5042	CLAMP HOSE
225	WR02X10699	DRAIN TUBE ASM
228	WR85X10022	EVAP REPL KIT
229	WR02X10552	CLIP EVAP THERMISTOR
230	WR51X10030	HEATER & BRACKET ASM
240	WR50X10015	THERMOSTAT DEFROST
241	WR50X10027	SENSOR TEMP
247	WR17X10721	ORIFICE EVAP FAN
248	WR14X10050	GASKET FOAM
251	WR02X10632	TWIST SUPPORT
256	WR17X10780	DUCT AIR
258	WR17X10724	SHIELD LIGHT FZ
261	WR13X10120	HINGE BTM PIN & CAM ASM
261	WR01X10202	THRUST WASHER
262	WR02X10568	HINGE CAM RISER
267	WR23X10164	HARNESS FZ LT HTR
268	WR01X10199	SCREW MOBILITY
278	WR02X10572	MOBILITY FRONT ASM
279	WR02X10574	PIN PIVOT ASM
280	WR02X10610	CAP CORNER OC BK
286	WR17X10728	THERMISTOR COVER FZ
288	WR74X10056	GRILLE BASE ASM BK
289	WR02X10560	CLIP GRILLE
290	WR17X10692	BAR CURB HANDLING
291	WR01X10221	SCR 8-10 PL PNP 1/2 S
291	WR02X10589	SUPPORT CURB BAR
435	60A	LAMP 60W APPL
435	STD372402	LAMP 40W 120V
435	WR02X10591	SOCKET & TERMINAL
446	WR13X10121	HINGE TOP ASM FZ
447	WR02X10609	COVER HINGE BK
552	WR01X10034	SCR 12-24 TT IH .811 S
560	WR01X10195	SCR 12-24 CA HX 7/8 S
578	WR02X0503	SCR 8-32 MA PA 3/8 S
607	WR23X10154	HARNESS FAN EVAP

608	WR23X10161	SWITCH LIGHT
610	WR60X10043	MOTOR DC EVAP FAN
611	WR02X10764	BRACKET EVAP FAN BTM
612	WR02X10547	BRACKET EVAP FAN
613	WR60X10055	BLADE EVAP FAN ASM
614	WR02X10540	BUMPER LID
615	WR02X10519	GROMMET EVAP FAN
652	WR02X10509	RING COMPRESSION
809	WR01X1936	FASTENER WATER TUBE

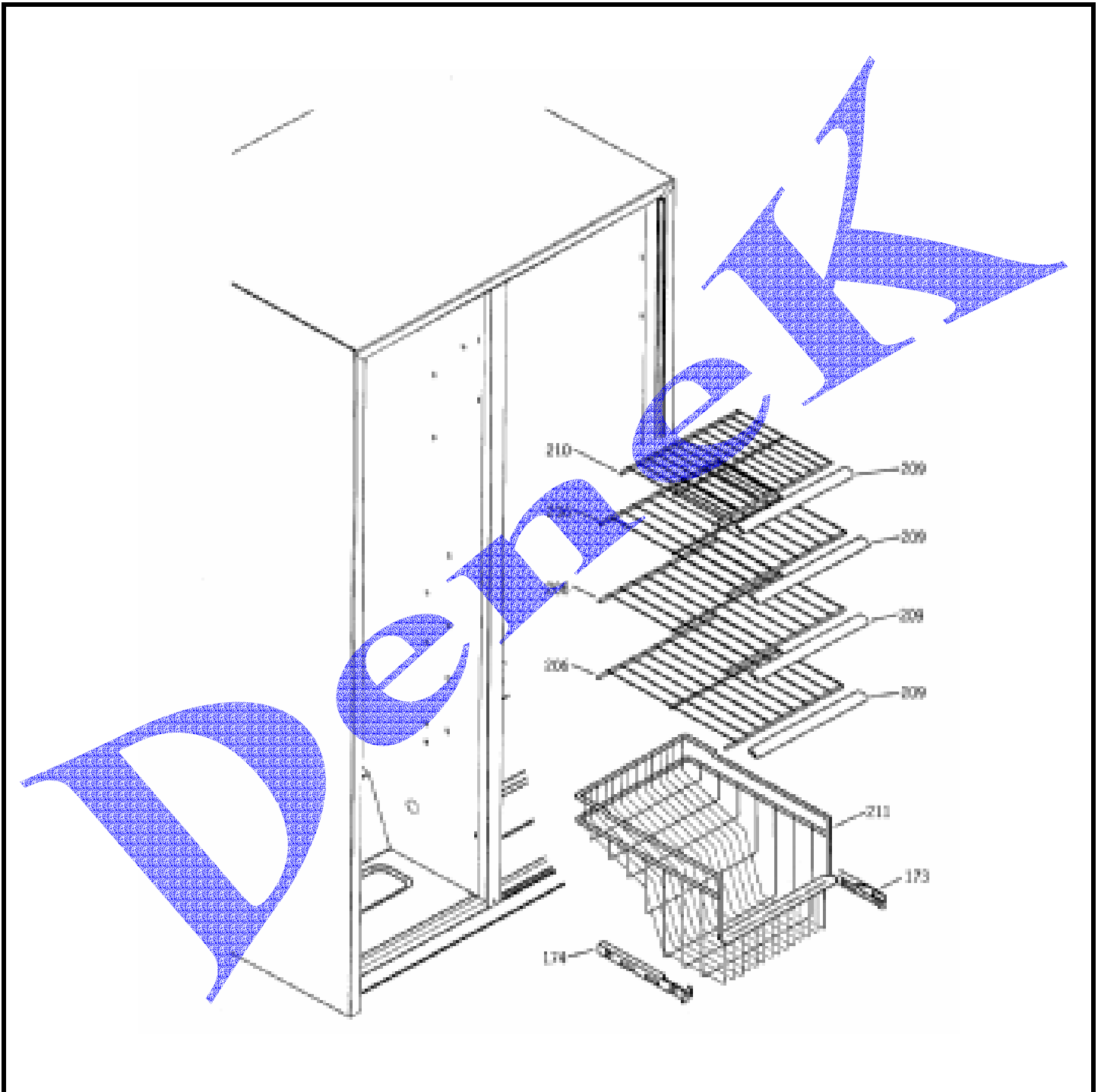
GENERAL ELECTRIC GSS25SGMABS

10751004

260	WR02X9223	GASKET DONUT
269	WR02X7927	TUBE WATER FILL
270	WR02X10564	GROMMET WATER FILL
320	WR01X10189	NUT AUGER FRT DISP
321	WR01X1367	RETAINER RING E
325	WR17X10717	HOUSING CRUSHER DISP
326	WR01X1366	WASHER
328	WR02X4561	SPRING ICE DEFLECTOR
328	WR17X10703	DEFLECTOR ICE DISP
328	WR02X4143	PIN DEFLECTOR DISP
329	WR17X10735	WIRE ACTUATOR DISP
330	WR02X10583	SPRING DEFLECTOR
331	WR02X10580	RETAINER SPRING
332	WR17X1361	BLADES MOVING DISP
333	WR17X1362	BLADES MOVING DISP
334	WR17X1363	BLADES MOVING DISP
335	WR02X4139	SPACER CRUSHER MIDDLE
337	WR02X4138	SPACER CRUSHER STATIONAR
342	WR02X10691	STATIONARY BLADES ASM
345	WR17X10699	COVER CRUSHER HSG DISP
350	WR17X10690	AUGER ASM DISP
352	WR30X10016	BUCKET ICE DISP
354	WR17X10778	BUCKET & AUGER ASM
359	WR72X10048	GLIDE BUCKET RH DISP
359	WR72X10047	GLIDE BUCKET LH DISP
361	WR17X10788	COVER MOTOR & SOLENOID
362	WR02X8839	BRACKET SHELF
365	WR02X10565	DRIVE AUGER DISP
366	WR01X10190	NUT J
367	WR01X10198	SCR 8-18 TPT 1/4
368	WR02X10543	BRACKET IM MOUNTING
369	WR60X10056	MOTOR CRUSHER DISP
371	WR01X10192	SCR 10-18 HI/LO HXW 1/2
375	WR23X10157	HARNES MOTOR DISP
377	WR02X7309	SADDLE SOLENOID
378	WR62X0058	SOLENOID & ARM ASM
379	WR17X1063	SHROUD SOLENOID
380	WR17X1064	PLUNGER SOLENOID
381	WR02X4257	PIN SPIRAL
382	WR02X4258	SPRING SOLENOID LINKAGE
383	WR17X1065	COLLAR SOLENOID DISP
384	WR17X1066	STIRRUP SOLENOID DISP
385	WR02X4259	PIN SPIRAL
387	WR17X10779	COVER BUCKET DISP
416	WR71X10228	SHELF CHILLER
820	WR30X10012	ICEMAKER ASM
867	WR29X10042	CUP FILL IM

GENERAL ELECTRIC GSS25SGMABS

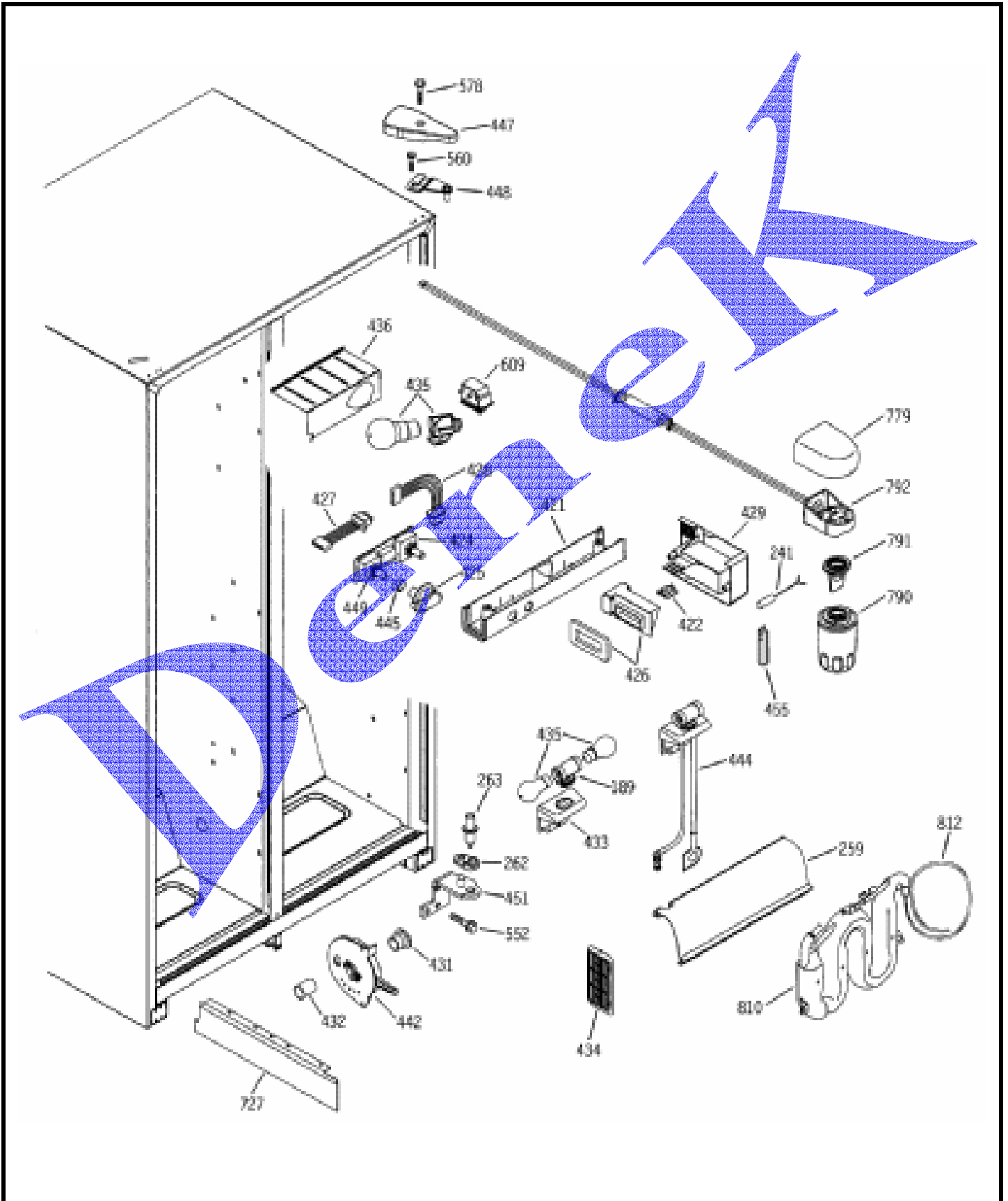
10751005



173	WR02X8724	SUPPORT SLIDE BASKET
174	WR02X8667	SUPPORT SLIDE BASKET LH
206	WR71X1936	SHELF FZ
209	WR38X10200	TRIM SHELF WIRE FZ
210	WR71X10230	SHELF FZ 3/4
211	WR21X10021	BIN WIRE SLIDEOUT FZ

GENERAL ELECTRIC GSS25SGMABS

10751006



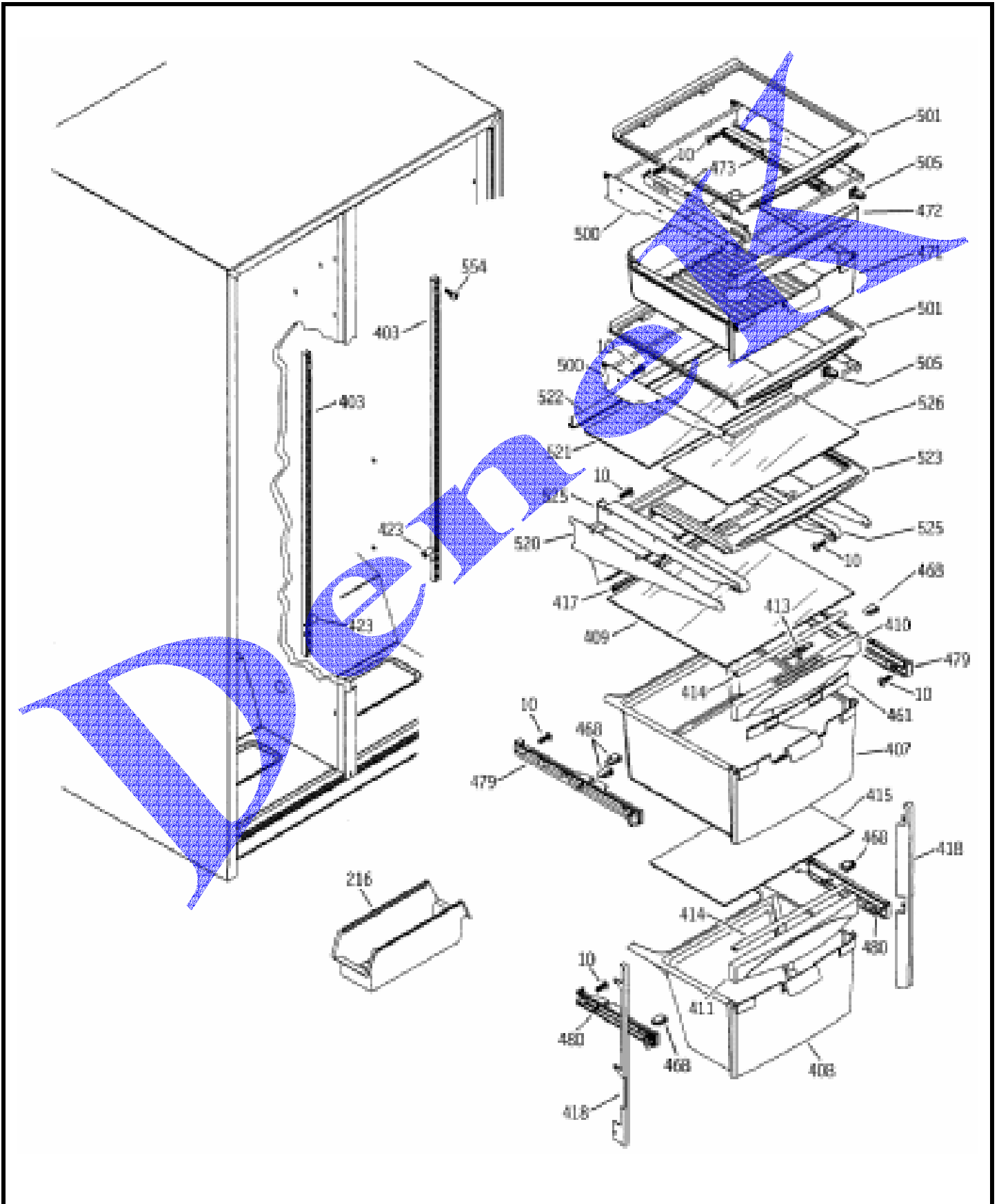
GENERAL ELECTRIC GSS25SGMABS

10751006

189	WR02X9243	SOCKET LAMP
241	WR50X10027	SENSOR TEMP
259	WR17X10725	SHIELD LIGHT LOWER
262	WR02X10568	HINGE CAM RISER
263	WR02X10592	PIN HINGE BTM ADJ
421	WR17X10716	HOUSING CONTROL
421	WR14X10044	GASKET CONTROL HOUSING
422	WR02X10546	CLIP DAMPER COVER
424	WR55X10040	BOARD ASM ENCODER
425	WR02X10570	KNOB CONTROL
426	WR14X10047	GASKET DAMPER
426	WR09X10050	DAMPER & GASKET ASM
427	WR23X10165	HARNESS CONTROL TOP
428	WR23X10156	HARNESS LT & SW
429	WR02X10618	COVER DAMPER
431	WR02X9299	CAP MULLION DUCT
432	WR02X10561	DUCT MULLION
433	WR02X9239	HOUSING LAMP SOCKET
434	WR17X10262	GRILLE AIR RETURN
435	60A	LAMP 60W APPL
435	WR02X10591	SOCKET & TERMINAL
435	STD372402	LAMP 40W 120V
436	WR02X10578	REFLECTOR LAMP
442	WR17X10060	CONTROL MEAT PAN ASM
444	WR23X10159	HOUSING LIGHT LWR ASM
445	WR02X10581	RING COMPRESSION
447	WR02X10609	COVER HINGE BK
448	WR13X10122	HINGE TOP ASM FF
449	WR01X10191	NUT SPECIAL
451	WR13X10154	HINGE BTM & PIN ASM
455	WR02X10622	COVER SENSOR FF
552	WR01X10034	SCR 12-24 TT IH .811 S
560	WR01X10195	SCR 12-24 CA HX 7/8 S
578	WZ02X0503	SCR 8-32 MA PA 3/8 S
609	WR23X10162	SWITCH LIGHT
727	WR17X10723	SEPARATOR AIR HISIDE
779	WR02X10557	COVER WATER FILTER
790	GWF	WATER FILTER
791	WR02X10577	PLUG BYPASS FILTER
792	WR17X10707	FILTER MNT & TUBE ASM
810	WR17X10734	WATER TANK & TUBE ASM
812	WR17X10732	TUBE PLASTIC

GENERAL ELECTRIC GSS25SGMABS

10751007



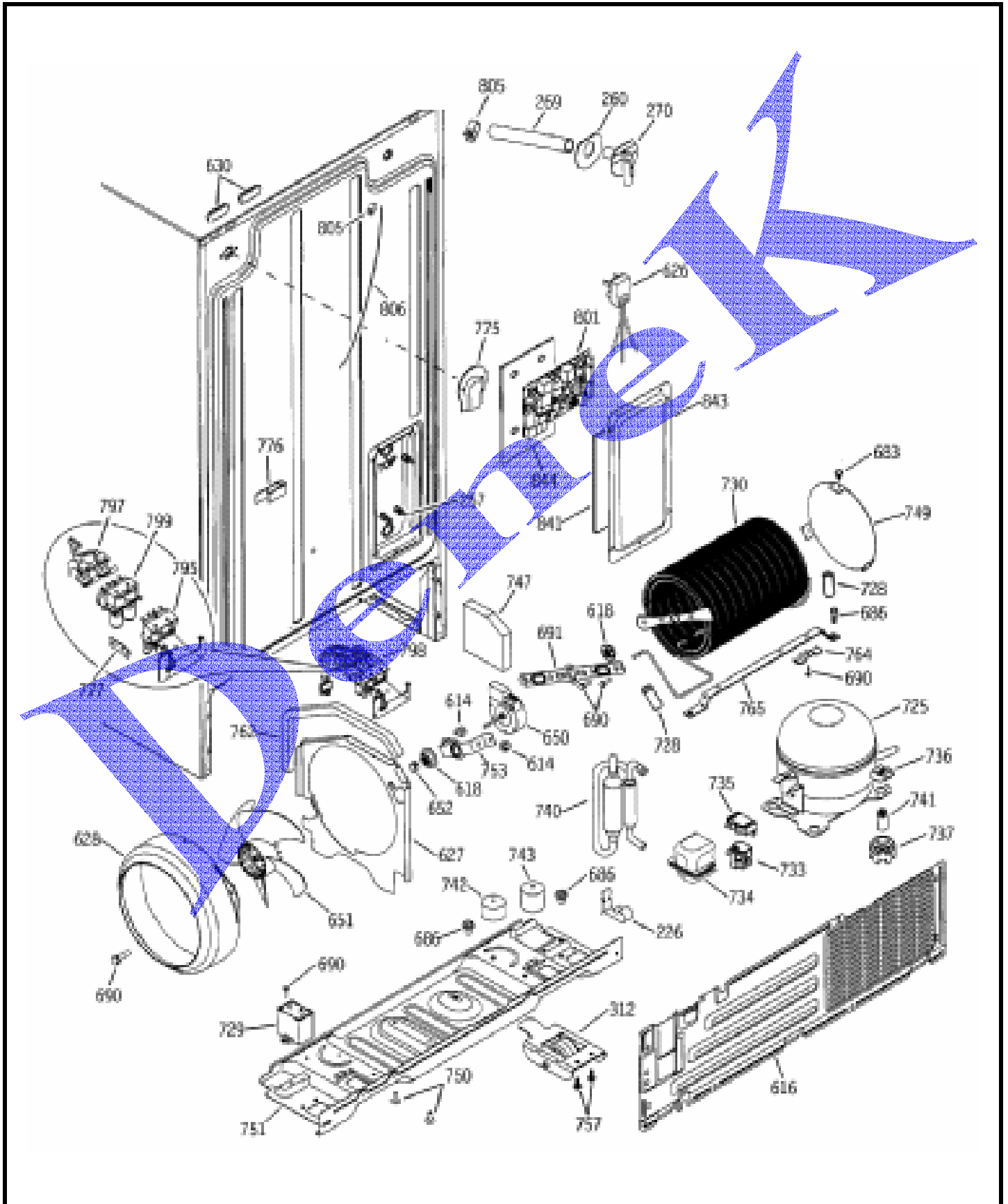
GENERAL ELECTRIC GSS25SGMABS

10751007

10	WR01X10065	SCR 8-18 BA POR 5/8 SS
216	WR32X1575	BUCKET UTILITY CLR
403	WR72X0254	TRACK CANT SHELF
407	WR32X10133	PAN VEG
408	WR32X10131	PAN MEAT
409	WR32X10130	COVER PAN GLASS
410	WR17X10715	HANDLE VEG PAN
411	WR17X10713	HANDLE PAN MEAT
413	WR02X10544	BUTTON SLIDE
414	WR14X10084	GASKET PAN COVER FRT
415	WR32X10129	COVER PAN GLASS
417	WR14X10052	GASKET SHIELD LOWER
418	WR17X10730	TRIM PAN RH
418	WR17X10729	TRIM PAN LH
423	WR02X6347	SUPPORT SHIELD TOP
461	WZ06X0136	SCR 8-18 AB HXW 1/2 S
461	WR72X10049	SLIDE PAN
468	WR01X2048	BEARING SLIDE
471	WR32X10132	PAN SNACK UPPER
472	WR17X10827	HANDLE PAN SNACK
473	WR72X10058	SLIDE PAN RH
473	WR72X10059	SLIDE PAN LH
479	WR72X0239	SLIDE ASM LH
479	WR72X0240	SLIDE ASM RH
480	WR72X0242	SLIDE ASM RH
480	WR72X0241	SLIDE ASM LH
500	WR71X10226	SHELF CANT SPILLPRF
501	WR32X10134	SHELF ENCAP SLIDEOUT
505	WR01X2080	STOP SHELF
520	WR71X10227	SHELF CANT TUCKAWAY
521	WR32X10136	SHELF GLASS TUCKAWAY
522	WR38X10198	REFLECTOR TUCKAWAY
523	WR71X10229	SHELF FRAME TUCKAWAY
525	WR72X10051	SLIDE TUCKAWAY RH
525	WR72X10050	SLIDE TUCKAWAY LH
526	WR32X10135	SHELF GLASS TUCKAWAY
554	WR01X2141	SCR 10-24 TR HXW I S

GENERAL ELECTRIC GSS25SGMABS

10751008



GENERAL ELECTRIC GSS25SGMABS

10751008

226	WR02X10558	CLIP DRAIN TUBE
257	WR02X10586	STANDOFF CIRCUIT BOARD
260	WR02X9223	GASKET DONUT
269	WR02X7927	TUBE WATER FILL
270	WR02X10564	GROMMET WATER FILL
312	WR02X10571	MOBILITY BACK ASM
614	WR02X10540	BUMPER LID
616	WR82X10071	COVER ACCESS ASM
618	WR02X10520	GROMMET COND FAN
626	WR23X0108	POWER CORD
627	WR17X10691	BAFFLE CONDENSER
628	WR17X10726	SHROUD CONDENSER
630	WR02X8525	PLUG BUTTON BK
650	WR60X10053	MOTOR DC COND FAN
651	WR60X10049	BLADE COND FAN ASM
652	WR02X10509	RING COMPRESSION
683	WR02X10562	FASTENER PUSH
686	WR01X10194	SCR 10-32 TT HXW 5/16 S
690	WR01X1466	SCR 8-32 T HXW 3/8 S
691	WR02X10593	BRACKET COND FAN (REAR)
725	WR87X10041	COMPRESSOR REPL ASM
728	WR14X10055	GROMMET TUBING SLIT
729	WR62X0080	CAPACITOR
730	WR84X10022	COND REPL ASM
733	WR07X10033	PTCR
734	WR02X10556	COVER RELAY SNAP(MEI)
735	WR08X10026	OVERLOAD
736	WR02X8203	CLIP COMPRESSOR MOUNT
737	WR02X10099	GROMMET
740	WR86X0096	DRYER BIFURCATED XH9
741	WR01X1779	STUD MTG COMPR
742	WR02X10587	SUPPORT CONDENSER
743	WR02X10588	SUPPORT CONDENSER
747	WR82X10073	INSULATION SIDE
749	WR17X10694	BAFFLE COND AIR
750	WR01X1786	SCREW 10-32 TR 1/2
751	WR17X10693	BASEPLATE HIGH SIDE
753	WR02X10521	BRKT COND FAN (MTG)
757	WR01X10193	SCR 10-32 SPECIAL
762	WR14X0313	FOAM STRIP
764	WR02X9000	CLIP, COND MNT
765	WR17X10695	BRACKET CONDENSER BAR
775	WR02X10047	COVER WATER LINE
776	WR02X10522	CLAMP TUBE
777	WR02X10370	BRACKET WATER VALVE
795	WR57X10023	VALVE ASM WATER
797	WR23X10108	HARNESS

798	WR57X10026	BRACKET & VALVE ASM
799	WR57X10024	WATER VALVE ASM
801	WR55X10037	BOARD ASM MAIN CONTROL
805	WR02X3736	STR RELIEF
806	WR17X10733	TUBE PLASTIC
841	WR02X10599	INSULATOR MAIN BOARD
843	WR17X10700	COVER ENCLOSURE
844	WR02X10569	INSULATOR MAIN BOARD