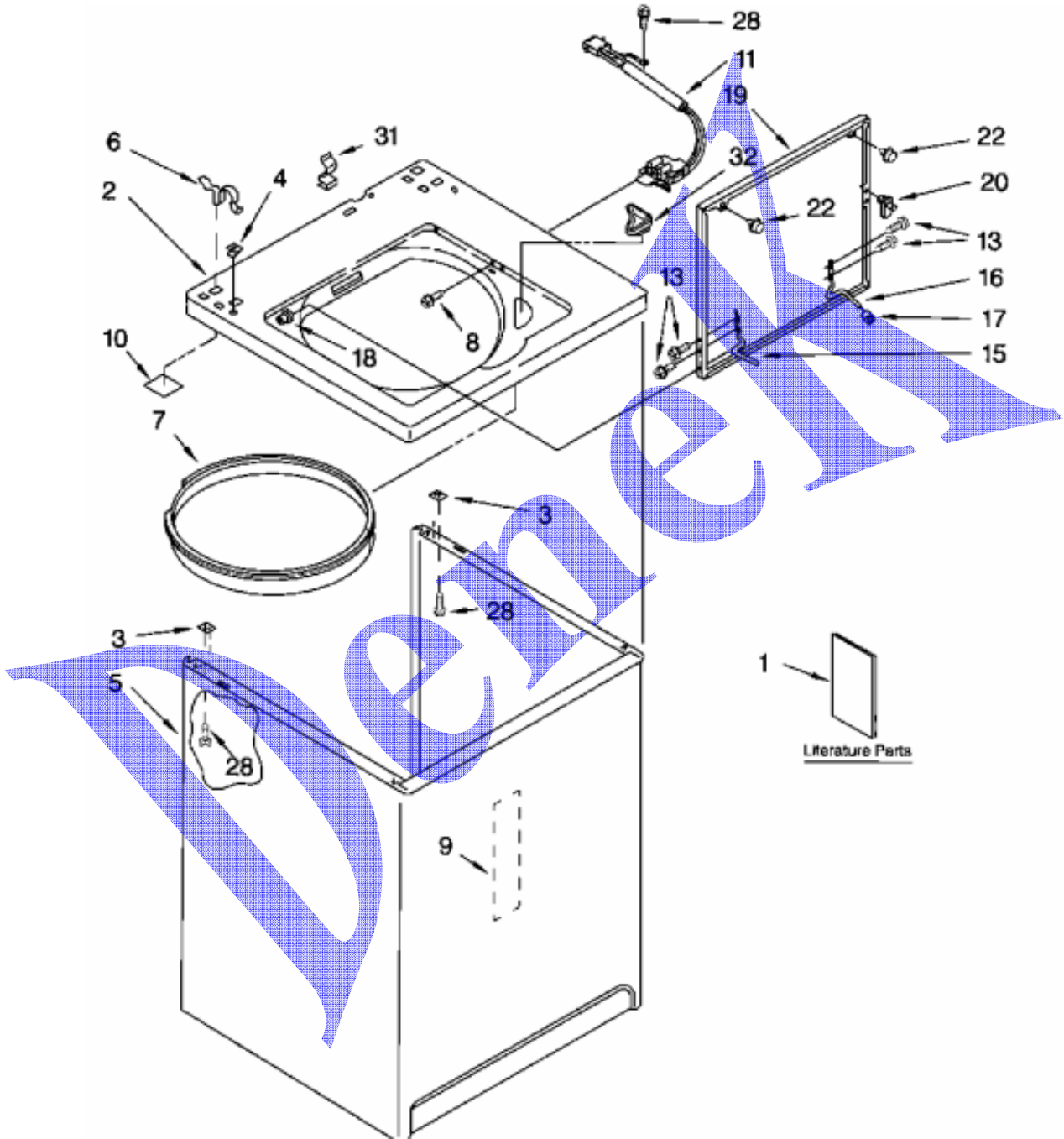


LAV. W.P. MODEL. GSW9545JQ0

GABINETE Y TAPA



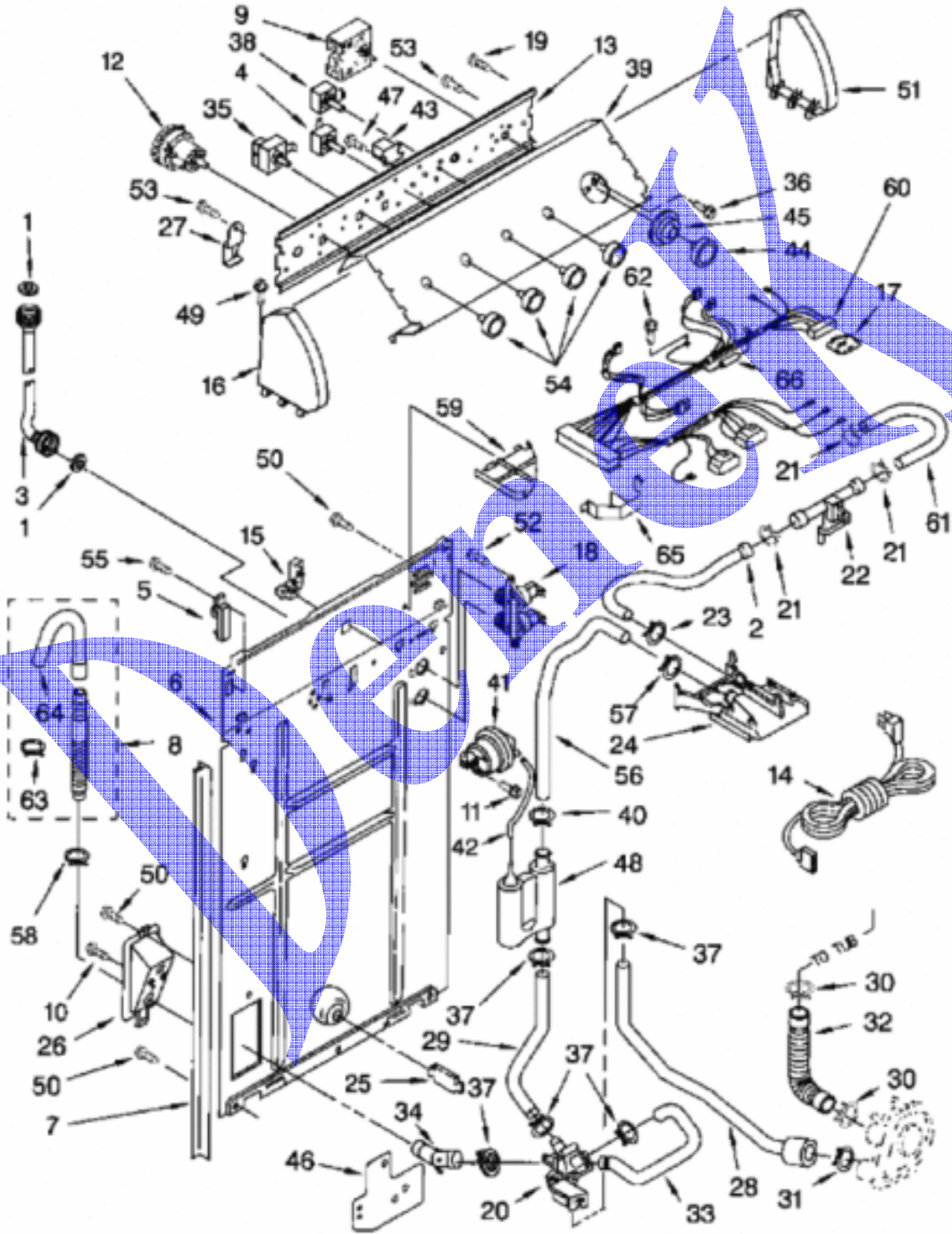
LAV. W.P. MODEL. GSW9545JQ0

GABINETE Y TAPA

NUMERO	N. DE PARTE	DESCRIPCION
1	LIT3952895	Literature Parts (Installation Instructions)
	LIT3952817	Literature Parts (English)
	LIT3951578	Literature Parts (French)
	LIT3953950	Literature Parts (English)
	LIT3954819	Literature Parts (French)
	LIT3954536	Literature Parts (Energy Guide)
	LIT3954572	Literature Parts (Wiring Diagram)
	LIT4313896	Do-It-Yourself Manual (Washer)
	2	8271378
3	62750	Spacer, Cabinet To Top (4)
4	357213	Nut, Push-In (2)
5	8271944	Cabinet
6	62780	Clip, Top & Cabinet & Rear Panel (2)
7	3950426	Shield, D Ring
8	3356311	Screw & Washer, Lid Switch (2)
9	3349654	Cabinet Sound Damper
10	3953152	Shield, Pressure Switch
11	3949237	Switch, Lid
13	W10119828	Screw, Lid Hinge Mounting (4)
15	91770	Hinge, Lid (L.H.)
16	54583	Hinge, Lid (R.H.)
17	19119	Bumper, Lid Hinge
18	21258	Bearing, Lid Hinge (2)
19	3361408	Lid
20	358684	Strike, Lid Switch
22	9724509	Bumper, Lid (2)
28	9420601	Screw, 10-16 x 3/8
31	90016	Clip, Harness
32	8274441	Dispenser, Bleach

LAV. W.P. MODEL. GSW9545JQ0

CONTROLES



LAV. W.P. MODEL. GSW9545JQ0

CONTROLES

NUMERO	N. DE PARTE	DESCRIPCION
1	16123	Washer, Water Inlet Hose (4) (1-1/16 x 5/8)
2	3953069	Hose, Sensor Upper
3	89503	Hose, Water Inlet (Blue Coupler)
	3949369	Hose, Water Inlet (Red Coupler)
4	3950359	Switch, Rotary
5	387402	Hinge, Console (2)
6	3948940	Panel, Rear
7	62747	Pad, Rear Panel
8	285664	Hose, Rubber Drain
9	3954569	Timer, Control (60 Hz.) (Motor Not A Service Part)
10	3352299	Screw
11	3390646	Screw, 8-18 x 5/16
12	3366846	Switch, Water Level
13	3948608	Bracket, Control
14	285800	Cord, Power
15	285777	Strain Relief, Power Cord
16	8271365	Cap, End (L.H.)
17	3407125	Control, ETC
18	3952164	Valve, Water Mixing
19	3351614	Screw, 10-24 x 3/8
20	3358559	Valve, Two-Way
21	596669	Clamp, Hose
22	3352282	Sensor, Etc-Inline
23	596669	Clamp, Hose
24	3358551	Break, Vacuum
25	63290	Support, Rear Panel
26	3976335	Bracket, Valve Mounting
27	8283343	Retainer, Harness
28	8314849	Hose, Pump To Two-Way Valve
29	3358563	Hose/Two-way Valve To Air Dome
30	616099	Clamp, Hose
31	3366912	Clamp, Hose

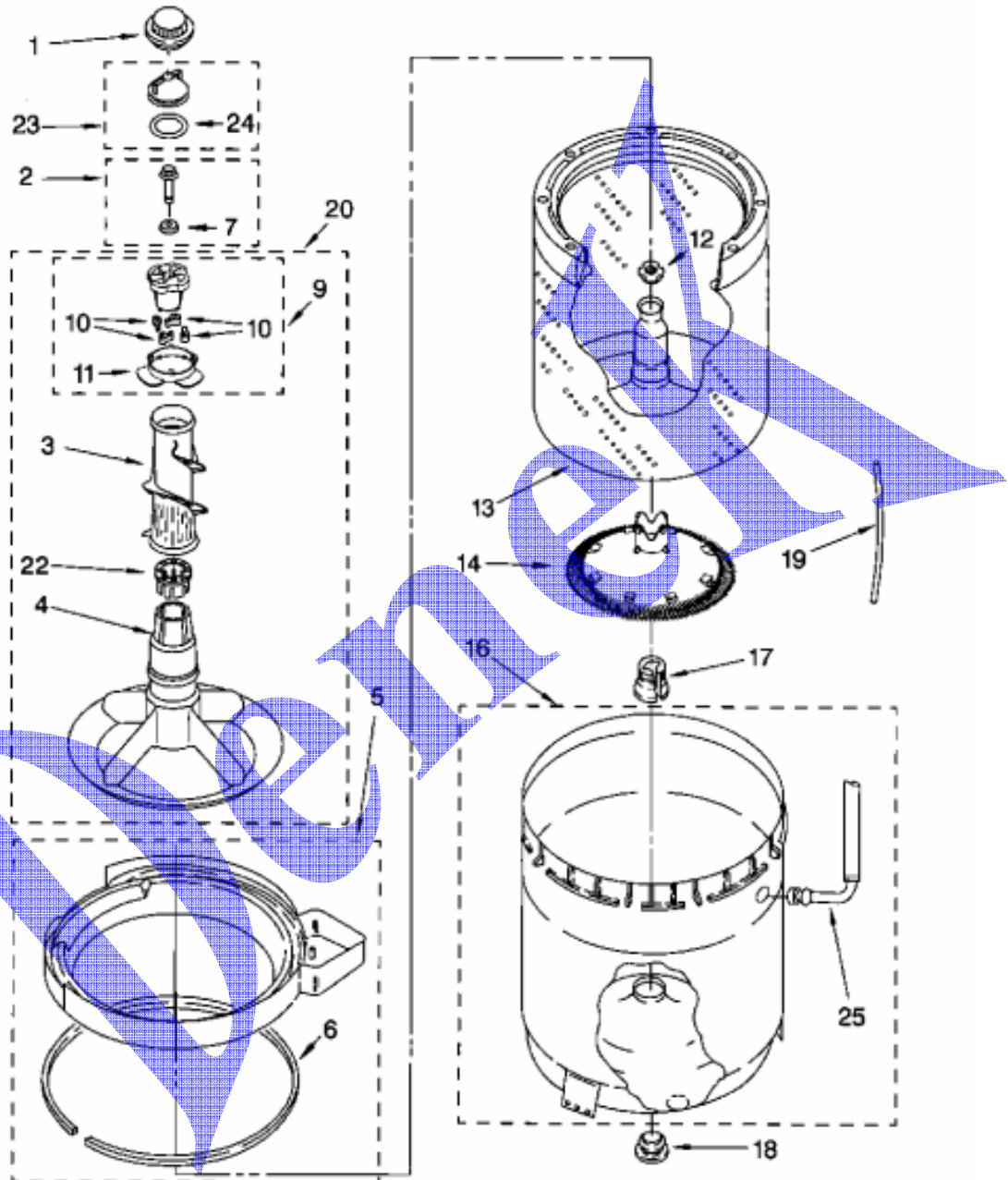
LAV. W.P. MODEL. GSW9545JQ0

CONTROLES

32	3951449	Hose, Pump To Tub
33	3358564	Hose/Two-Way Valve To Drain
34	3976337	Connector, Hose
35	661612	Switch, Rotary (Temp. Switch)
36	3400064	Screw, Timer Mounting (2)
37	285655	Clamp, Hose
38	3952825	Switch, Rotary
39	3954221	Panel, Console
40	3363365	Clamp, Hose
41	3358570	Switch, Pressure
42	353244	Hose, Pressure Switch
43	697811	Relay, Cancel
44	8274290	Knob, Timer
45	8271351	Dial, Timer
46	3948552	Shield, Valve
47	3388228	Screw, 6-20 x 3/8
48	3948812	Air Dome
49	388326	Screw, 8-18 x 1.25 (Panel to Top)
50	9420601	Screw, 10-16 x 3/8
51	8271359	Cap, End (R.H.)
52	9740848	Screw
53	90767	Screw, 8A x 3/8
54	8271339	Knob, Control
55	488729	Screw, 8-18 x 1/2
56	3358555	Hose, Air-Dome To Vacuum Break
57	3363365	Clamp, Hose
58	285655	Clamp, Drain Hose
59	8539874	Shield, Suds
60	3954061	Harness, Wiring (For Detail See Pages 9 & 10)
61	3357319	Hose, Vacuum Break
62	3351614	Screw, Ground 10-24 x 3/8
63	371507	Clamp, Hose
64	3357027	Nozzle, Drain Hose
65	8055003	Clip, Harness & Pressure Hose
66	285833	Fuse (In Harness)

LAV. W.P. MODEL. GSW9545JQ0

AGITADOR Y CANASTA



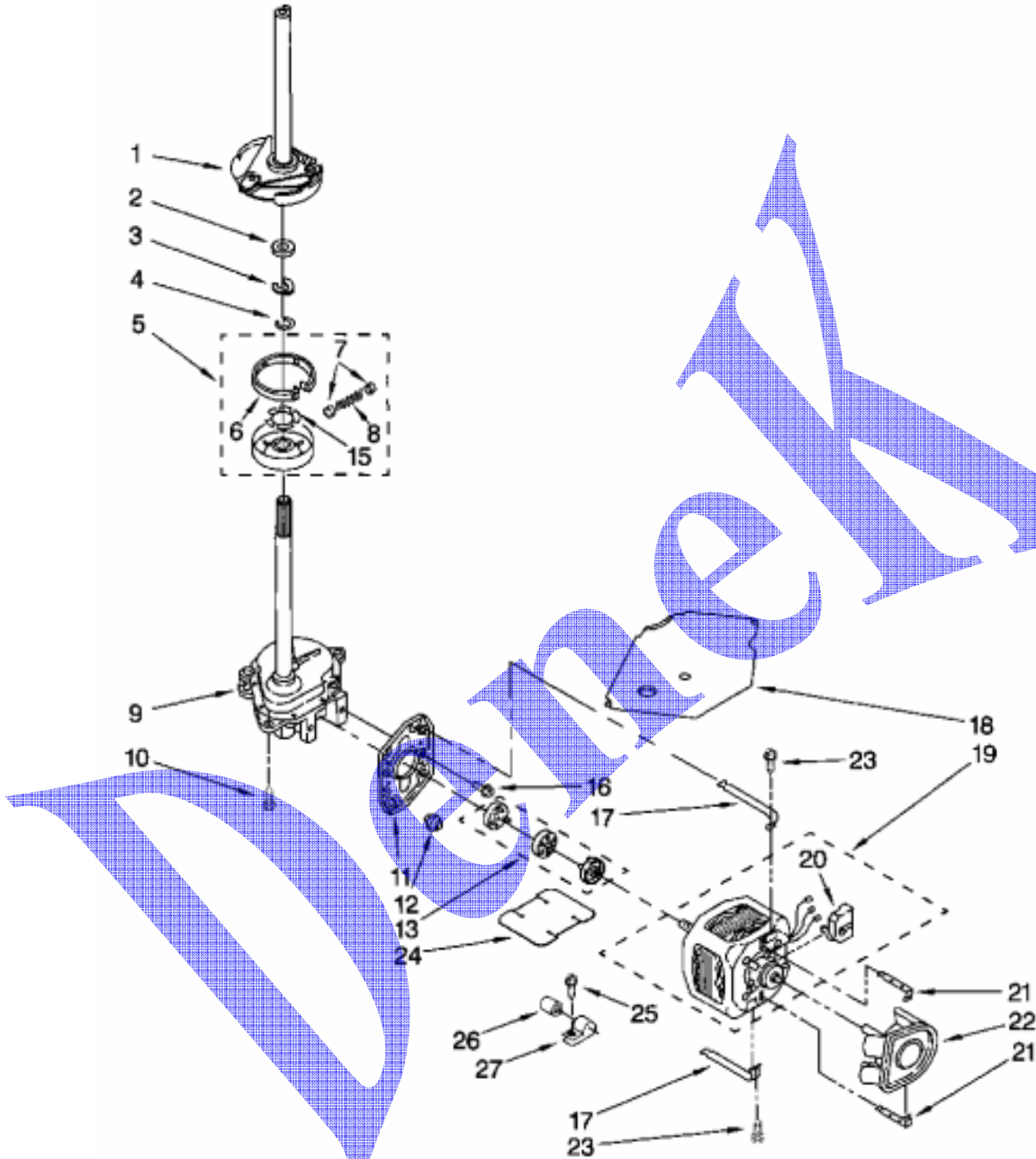
LAV. W.P. MODEL. GSW9545JQ0

AGITADOR Y CANASTA

NUMERO	N. DE PARTE	DESCRIPCION
1	3355758	Cap, Agitator
2	358237	Screw & Washer (5/16-24 x 1)
3	3363003	Clothes Mover
4	3951632	Agitator
5	3954507	Tub Ring & Gasket
6	3359585	Gasket, Tub Ring
7	3949550	Washer
9	3951682	Cam Driven
10	3366877	Dog, Agitator Clutch (4)
11	3952374	Bearing, Driven Cam
12	21366	Nut, Spanner
13	3951983	Basket & Balance Ring (Also Order No.14)
14	3952746	Plate, Filter
16	8283125	Tub (Includes Item 25)
17	389140	Block, Basket Drive
18	383727	Gasket, Center Post
19	353244	Hose, Pressure Switch
20	3951744	Agitator Assembly (Complete)
22	3951608	Spacer, Thrust
23	285551	Cap, Barrier
24	3348855	Seal, Inner Cap
25	3948705	Hose, Bleach

LAV. W.P. MODEL. GSW9545JQ0

FRENO, CLUTCH, MOTOR



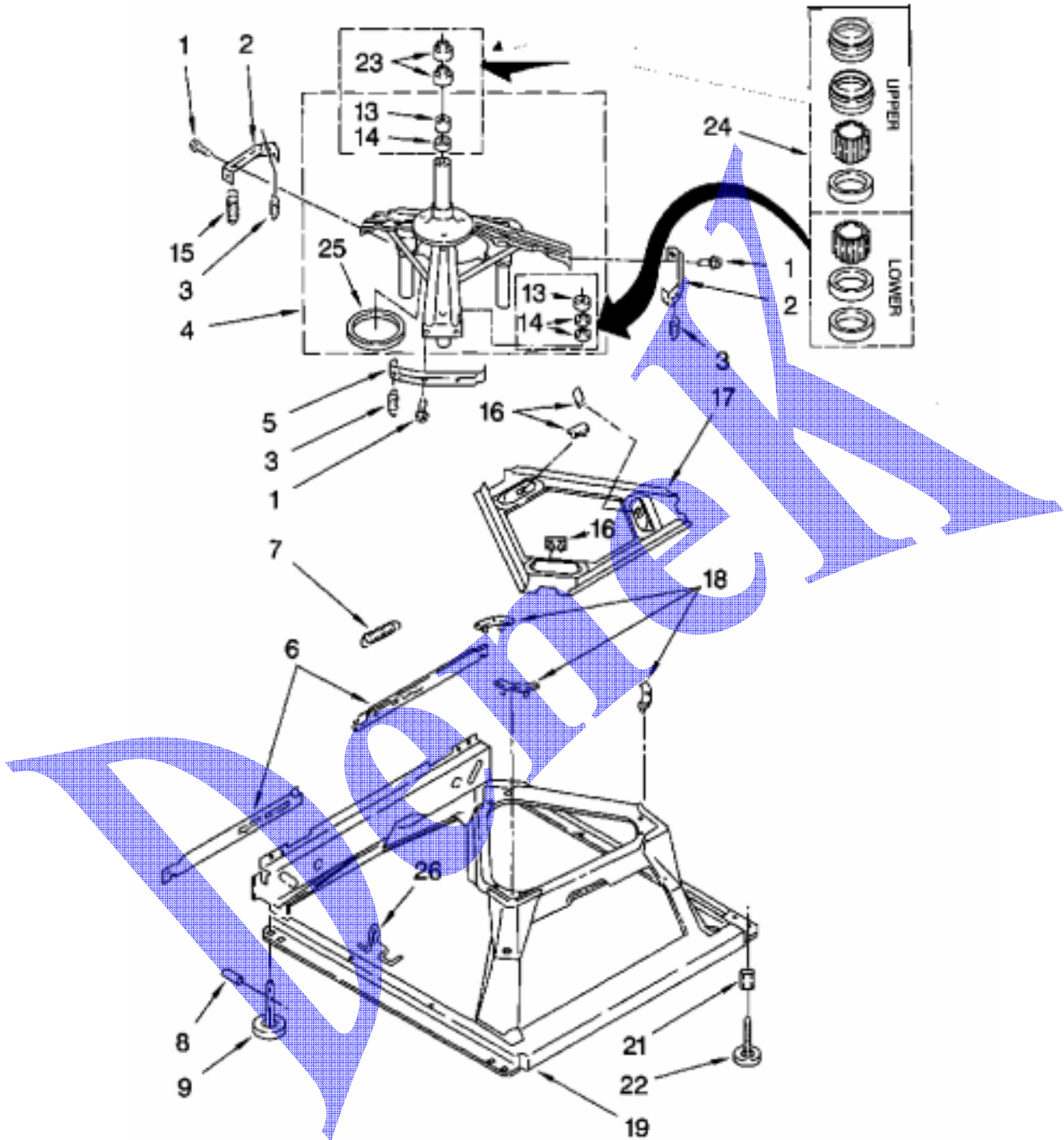
LAV. W.P. MODEL. GSW9545JQ0

FRENO, CLUTCH, MOTOR

NUMERO	N. DE PARTE	DESCRIPCION
1	388952	Brake & Drive Tube (Complete)
2	63292	Washer, Spin Tube Thrust
3	W10080230	Ring, Spin Tube Support
4	285353	Ring, Retainer
5	8299642	Clutch (Complete)
6	3951993	Band & Lining, Clutch
7	62646	Cap, Clutch Spring (2)
8	3946846	Spring, Clutch
9	3360630	Gearcase (Complete)
10	3357334	Screw, Gearcase To Base (2)
11	62611	Plate, Motor Mount To Gearcase
12	62691	Grommet, Motor (4)
13	285753A	Coupling, Motor & Isolation
15	3355454	Clip, Anti-Rattle
16	3400516	Screw (2)
17	3349637	Retainer, Motor (2)
18	3362089	Shield, Tub To Motor
19	661600	Motor, Main Drive
20	62850	Switch, Main Drive Motor
21	8546127	Retainer, Pump (2)
22	3363892	Pump (Complete)
23	3387485	Screw, 10-16 x 5/8
24	3946532	Shield, Motor
25	9420601	Screw, 10-16 x 5/16
26	661606	Capacitor
27	357030	Clamp, Capacitor

LAV. W.P. MODEL. GSW9545JQ0

BASE



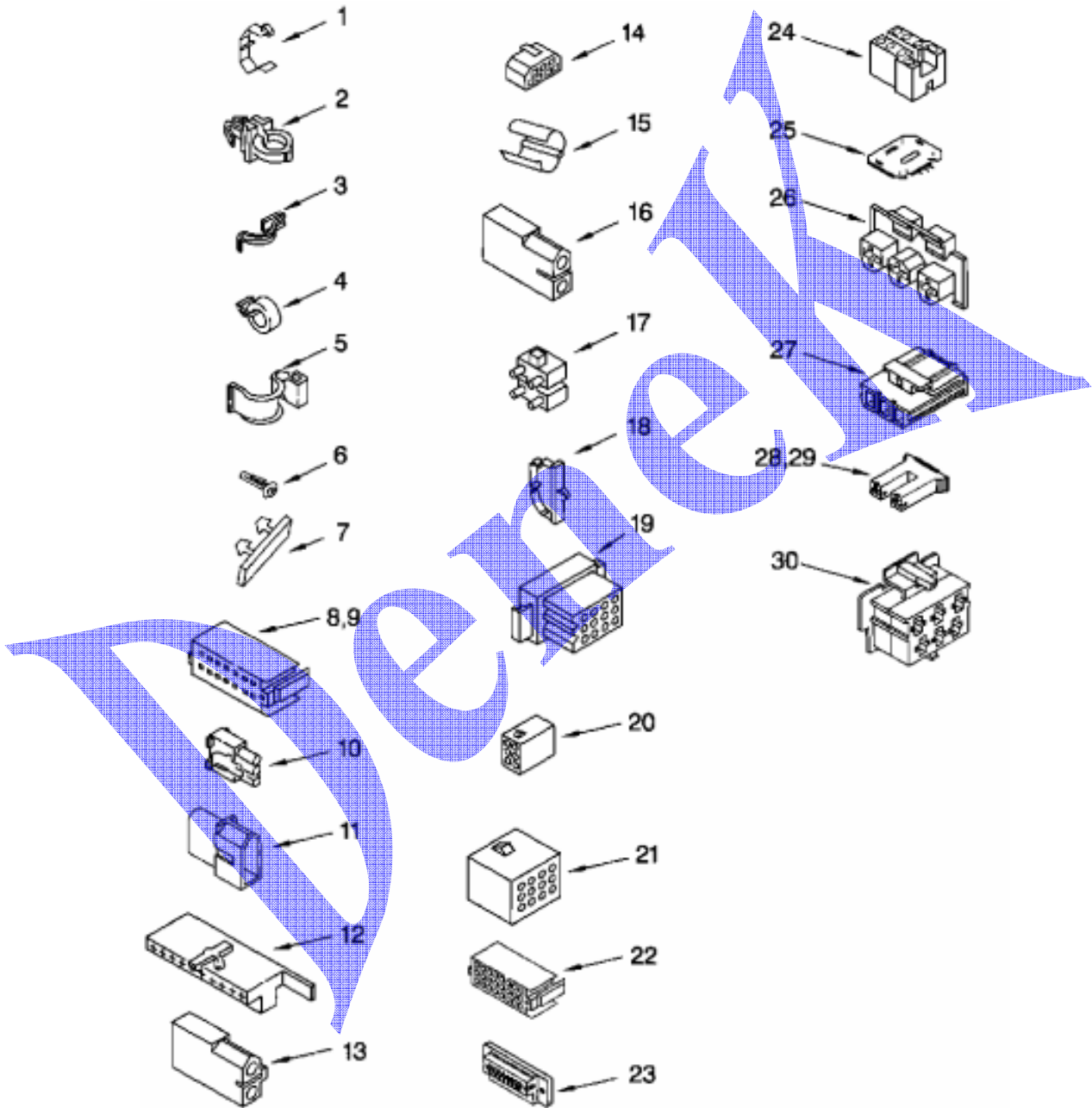
LAV. W.P. MODEL. GSW9545JQO

BASE

NUMERO	N. DE PARTE	DESCRIPCION
1	3196174	Screw, Bracket Mounting
2	64067	Bracket, Spring Outer (2)
3	63907	Spring, Suspension (3)
4	3362087	Support & Brake, Tub
5	64065	Bracket, Spring Outer (L.F.)
6	63466	Link, Leveling Mechanism (2)
7	62597	Spring, Leveling Mechanism
8	62837	Pin, Knurled
9	285244	Foot, Rear (2)
13	8546455	Bearing, Centerpost (2)
14	357409	Seal, Centerpost (3)
15	388492	Spring, Counterweight
16	62568	Pad, Plate
17	3946509	Plate, Suspension (Includes Illus. 16)
18	3363660	Pad, Base
19	3946512	Base Assembly (Includes Illus. 6, 7, 8, 9, 18 & 26)
21	3359452	Nut, Lock (3/8-16)
22	389102	Foot, Front (2)
23	356934	Seal, Centerpost (2)
24	285203	Centerpost Bearing Kit (Includes Illus. 13, 14 & 23)
25	63134	Ring, Sound Deadening
26	63806	Retainer, Suspension Spring

LAV. W.P. MODEL. GSW9545JQ0

ARNES



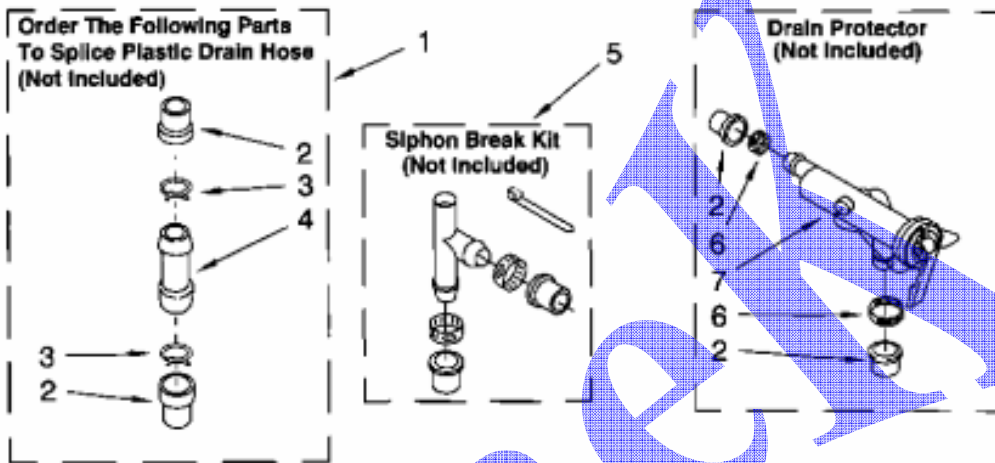
LAV. W.P. MODEL. GSW9545JQ0

ARNES

NUMERO	N. DE PARTE	DESCRIPCION
1	3349557	Clip, Harness
2	388498	Clip, Harness
3	8528351	Clip, Harness
4	8559320	Clip, Harness
5	90016	Clip, Harness
6	3390496	Clip, Harness
7	389379	Retainer, (Suds Models)
8	352090	Timer, Block Disconnect (White)
9	352089	Timer, Block Disconnect (Black)
10	62889	Receptacle, Terminal (3-Way) (Lid Switch) (Use Term. 94613 Or 94614.)
11	353424	Plug, Terminal (3-Way) (Power Cord) (Use Term. 94613)
12	62505	Block, Disconnect (Motor 2 Speed) (Use Term. 352088)
13	3348075	Block, Disconnect (Motor 3 Speed) (Use Term. 94613 Or 94614.)
14	3347243	Block, Disconnect (Use Term. 352088)
15	63523	Protector
16	717252	Connector (2-Way) (Use Term. 94614)
17	387566	Plug, Terminal (4-Way) (Power Cord) (Use M3 Screws)
18	3352944	Clip, Harness
19	3390423	Block, Disconnect (12-Way) (Timer) (Use Term. 94613)
20	3347730	Receptacle (6-Way) (Use Term. 94613)
21	388818	Plug, Terminal (12-Way) (Use Term. 94613 Or 94614.)
22	3369366	Timer, Block Disconnect (Black) (Amp) (Use Term. 3369365)
23	3349494	Connector, Etc
24	60687	Connector, Relay (Use Term. 308569)
25	3407125	Control, ETC
26	3948617	Connector (T.P.A.) (3-Circuit) (Lid Switch) (Use Term. 3948619 OR 3948620.)
27	3360056	Connector (T.P.A.) (3-Circuit) (Pressure Switch) (Use Term. 3948619 OR 3948620.)
28	3354925	Block, Connector (Cold Valve) (Use Term. 693217)
29	3354926	Block, Connector (Hot Valve) (Use Term. 693217)
30	3948615	Connector (T.P.A.) (6-Circuit) (Temp. Switch) (Use Term. 3948619 OR 3948620.)

LAV. W.P. MODEL. GSW9545JQ0

MANGUERAS



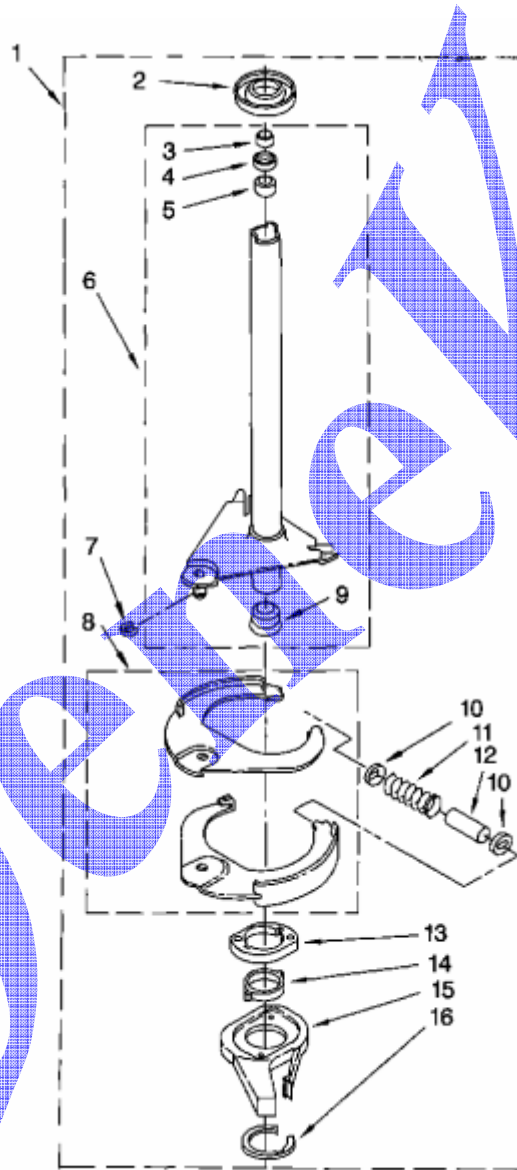
LAV. W.P. MODEL. GSW9545JQ0

MANGUERAS

NUMERO	N. DE PARTE	DESCRIPCION
1	285442	Connector Kit, Plastic Drain Hose
2	285321	Sleeve Kit, (Contains 2 Sleeves)
3	285655	Clamp, Hose
4	16272	Connector, Straight
5	285320	Siphon Break Kit (Not Included)
6	65349	Clamp, Hose
7	367031	Drain Protector (Not Included)

LAV. W.P. MODEL. GSW9545JQ0

FLECHA HUECA



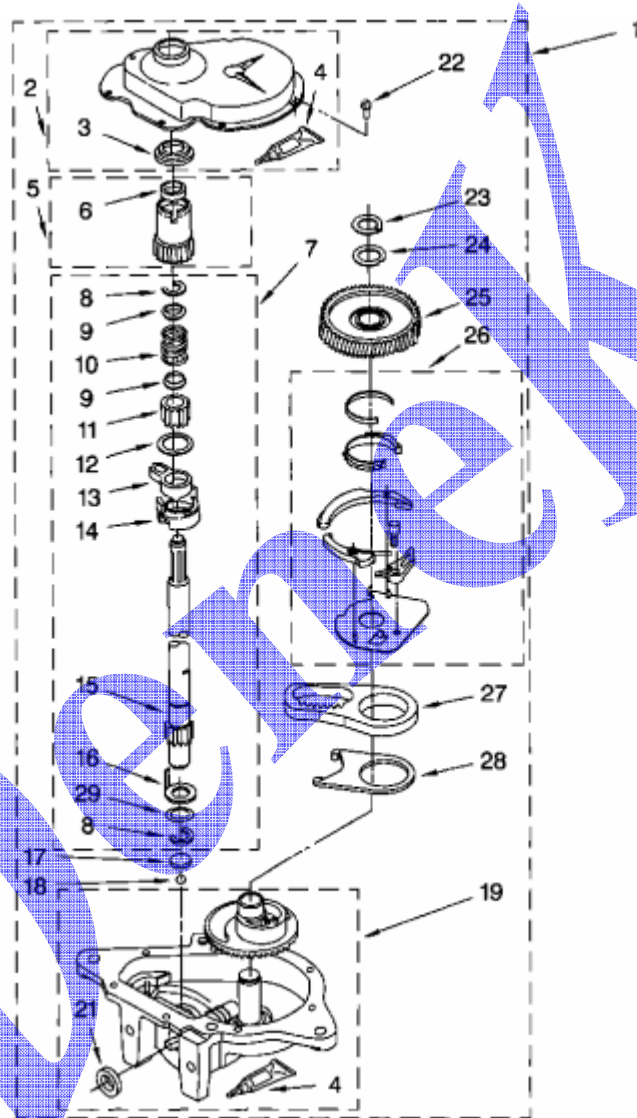
LAV. W.P. MODEL. GSW9545JQ0

FLECHA HUECA

NUMERO	N. DE PARTE	DESCRIPCION
1	388952	Brake And Drive Tube (Complete)
2	62658	Ring, Thrust
3	91939	Seal, Oil
4	356427	Seal, Drive Tube
5	356937	Spacer, Drive Tube
6	64027	Tube, Basket Drive (Includes Illus. 3, 4, 5, & 9)
7	64035	Ring, Retaining
8	285438	Shoe, Brake
9	62703	T Bearing, Spin Tube
10	285658	Cap, Brake Spring (2)
11	387806	Spring, Brake
12	285658	Sleeve, Brake Spring
13	661516	Cam, Brake Release
14	63022	Sleeve, Cam
15	285790	Driver, Brake Cam
16	W10083200	Ring, Retaining
	285208	Lubricant (Use Only In Brake Shoe Assembly On Roller & Pin)

LAV. W.P. MODEL. GSW9545JQ0

TRANSMISION



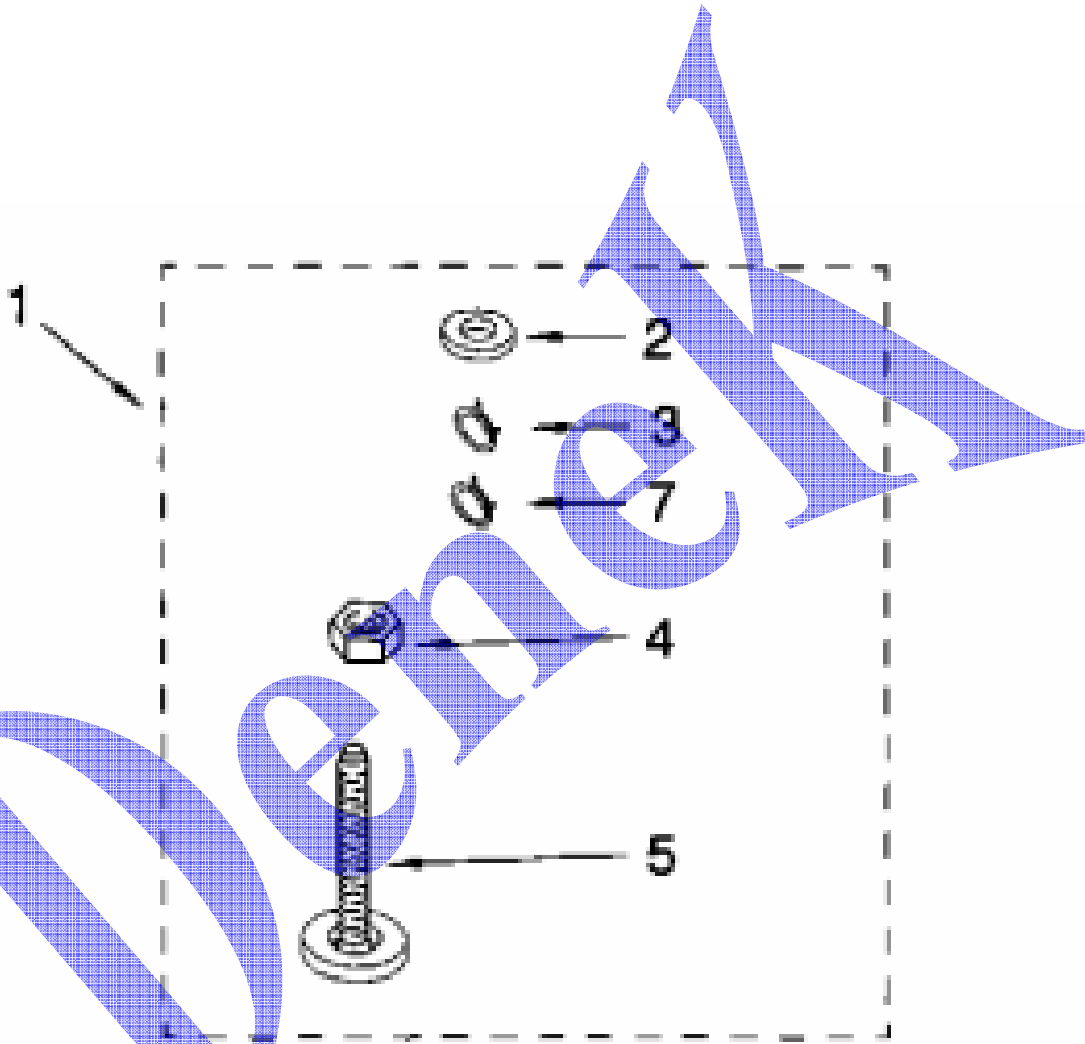
LAV. W.P. MODEL. GSW9545JQO

TRANSMISION

NUMERO	N. DE PARTE	DESCRIPCION
1	3360630	Gearcase (Complete)
2	285202	Cover, Gearcase
3	3349985	Seal, Gearcase Cover
4	285195	Sealer, Gasket (.20 Fl. Oz.) (6 ml)
5	285362	Pinion, Spin (Includes Illus. 25)
6	356427	Seal, Spin Pinion
7	389387	Shaft, Agitstor (Complete)
8	90369	Ring, Retaining (2)
9	62677	Retainer, Spring
10	62676	Spring, Agitator
11	285509	Gear, Agitate (Includes 15 and 29)
12	62619	Washer, Agitator Gear
13	62580	Cam Follower (Includes 14)
14	62581	Cam, Agitate (Includes 13)
15	285509	Shaft, Agitator (Includes 11 & 29)
16	62618	Washer, Cam Thrust
17	16018	Bearing, Thrust
18	285205	Ball, Bearing
19	285515	Bottom and Pinion, Gearcase
21	285352	Seal, Thrust Plug
22	3351614	Screw, Gearcase Cover, Mounting (8) (10-24 x 3/8)
23	3362552	Ring, Retaining
24	285735	Washer Kit, Thrust
25	285362	Gear, Spin
26	388253	Neutral Assembly
27	3349296	Rack, Connecting
28	62621	Actuator, Shift
29	388815	Washer, Intermediate

LAV. W.P. MODEL. GSW9545JQ0

PIEZAS VARIAS



LAV. W.P. MODEL. GSW9545JQ0

PIEZAS VARIAS

NUMERO	N. DE PARTE	DESCRIPCION
1	285654	Miscellaneous Parts Bag
2	16123	Washer, Inlet Hose (1-1/16 x 5/8) (4)
3	3366913	Clamp, Hose
4	3359452	Nut, Lock (3/8-16)
5	389102	Foot, Front (2)
7	3366912	Clamp, Hose
	72017	White
	72107	Almond
	350938	Primer, Gray
	350930	White
	350956	Almond
	799344	White (Uncut)
	978883	Almond (Uncut)
	350572	Oil, Gearcase (16 Oz.)
		Lubricant (Use Only in Brake Shoe Assembly On Roller and Pin)
	285208	
	285195	Sealer, Gasket (.20 Fl. Oz.) (6 ml)
	3348675	Shipping Kit
	367031	Drain Protector
	285320	Sinbon Break Kit