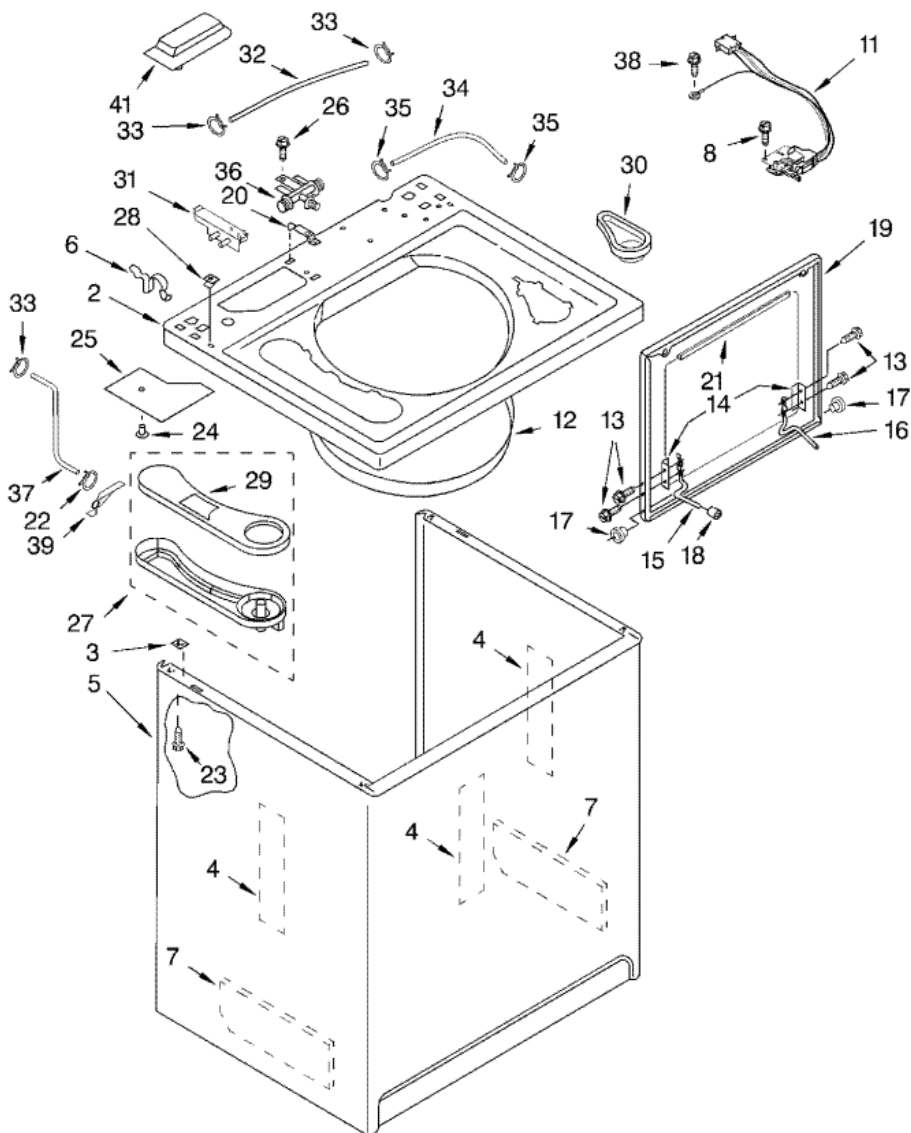


Distribuidor Autorizado

SurteRápido.com

Venta de Refacciones
Electrodomesticas

GSX9885JQ0 GABINETE





GSX9885JQ0 GABINETE

2	8274365	TOP (WHITE) (S/P)
2	8274367	TOP (BISCUIT) (S/P)
3	62750	SPACER, CABINET TO TOP (S/P)
4	3976348	CABINET-SOUND DAMPER (S/P)
5	3954358	CABINET (BISCUIT) (S/P)
5	8280604	CABINET (WHITE) (S/P)
6	62780	CLIP, TOP & CABINET & REAR PANEL (2)
7	8054736	CABINET-SOUND ABSORBER (S/P)
8	3400611	SCREW, LID SWITCH (S/P)
11	8054980	SWITCH, LID
12	8271956	SPLASH SHIELD ASSEMBLY (S/P)
13	355274	SCREW, LID HINGE MOUNTING (4) (S/P)
14	21097	PAD, HINGE (S/P)
15	8055257	HINGE, LID (LEFT) (S/P)
16	8055256	HINGE, LID (RIGHT) (S/P)
17	8319539	BEARING, LID HINGE (2) (S/P)
18	19119	BUMPER, LID HINGE (S/P)
19	3957546	LID (BISCUIT) (S/P)
19	3957545	LID (WHITE) (S/P)
20	357144	CLIP, WIRE (S/P)
21	8054939	SEAL, LID
22	596669	CLAMP, HOSE (S/P)
23	3390631	SCREW, 10-16 X 3/8 (S/P)
24	8280537	RIVET, SHIELD (S/P)
25	8272149	SHIELD, SPILL (S/P)
26	3357011	SCREW (S/P)
27	8055237	DISPENSER, BLEACH & FABRIC SOFTENER (S/P)
28	357213	NUT, PUSH-IN (S/P)
29	8272009	COVER, DISPENSER (S/P)
30	8055238	DISPENSER, DETERGENT (S/P)
31	8055243	CONNECTOR, 2-PORT (S/P)
32	8055266	HOSE, FABRIC SOFTENER (S/P)
33	596669	CLAMP, HOSE (S/P)

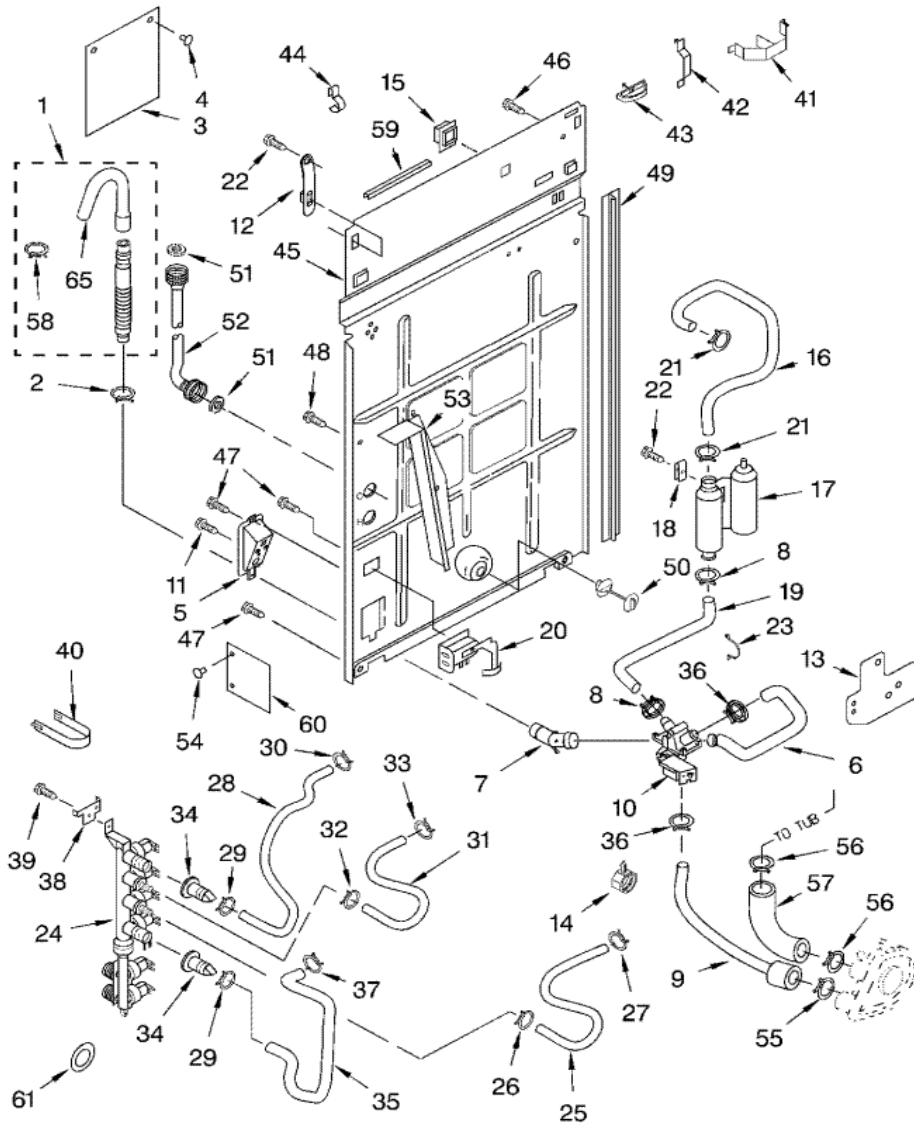
34	8317938	HOSE, DETERGENT (S/P)
35	596669	CLAMP, HOSE (S/P)
36	8272010	CONNECTOR, VENTURI (S/P)
37	8283537	HOSE, BLEACH (S/P)
38	3400073	SCREW (S/P)
39	8271943	RESTRAINT (S/P)
41	8055247	COVER, HOSE DISCONNECT (S/P)

Distribuidor Autorizado

SurteRápido.com

Venta de Refacciones
Electrodomesticas

GSX9885JQ0 GABINETE POSTERIOR



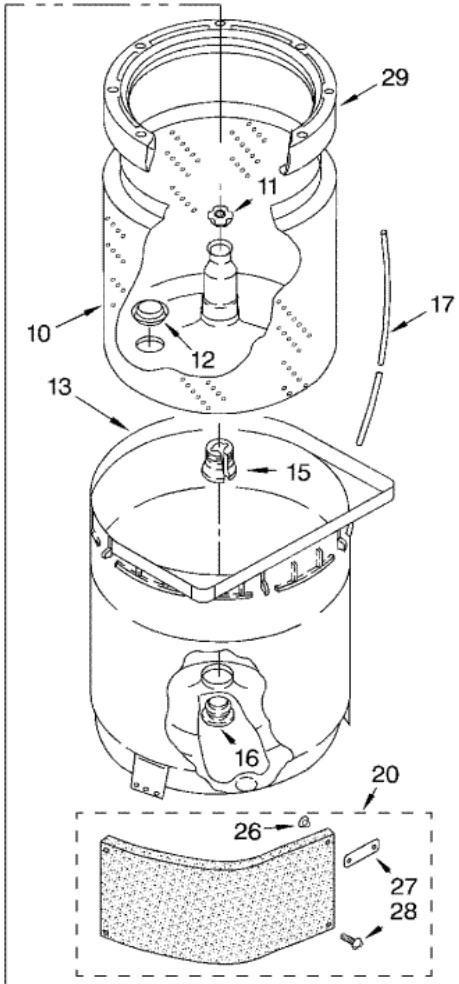
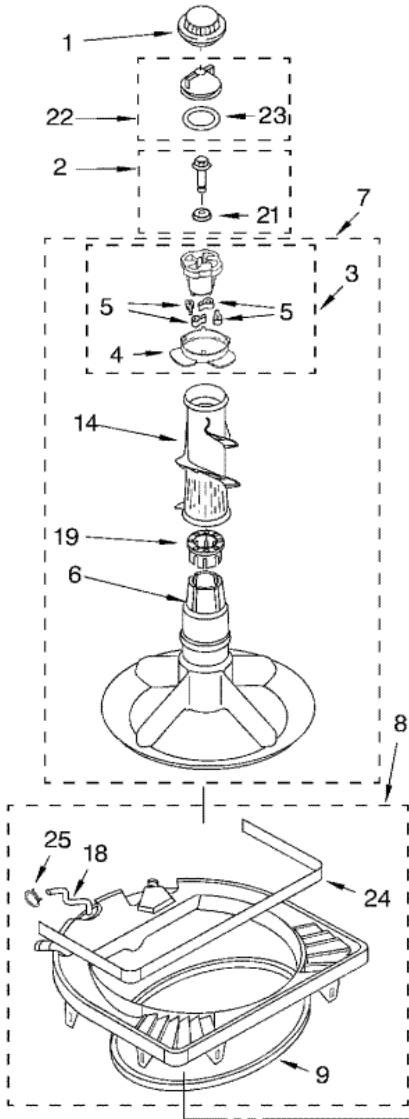


GSX9885JQ0 GABINETE POSTERIOR

1	285702	EXTENSION, DRAIN HOSE (21 INCHES) (S/P)
1	285664	HOSE, DRAIN (4 FT.)
1	285666	HOSE, DRAIN (9 FT.) (NOT INCLUDED.) (S/P)
2	356138	CLAMP, HOSE (S/P)
3	8282565	DRAPE, REAR PANEL (S/P)
4	8282566	CLIP, DRAPE (S/P)
5	3976335	BRACKET, VALVE MTG (S/P)
6	8317908	HOSE, 2-WAY VALVE TO DRAIN (S/P)
7	3976337	CONNECTOR, HOSE (S/P)
8	285655	HOSE, CLAMP (S/P)
9	3358562	HOSE, PUMP TO 2-WAY VALVE (S/P)
10	3358559	VALVE, 2-WAY
11	3352299	SCREW (S/P)
12	8568314	STRAP, CONSOLE (2) (S/P)
13	3948552	SHIELD, 2-WAY (S/P)
14	3976395	CLAMP, HOSE (S/P)
15	3952821	RELIEF, STRAIN (POWER CORD) (S/P)
16	8055233	HOSE, AIRDOME (S/P)
17	8317889	AIRDOME ASSEMBLY (S/P)
18	98084	CLIP, AIRDOME (S/P)
19	8054709	HOSE, 2-WAY VALVE TO AIRDOME (S/P)
20	8283252	SWITCH, KICKOUT (S/P)
21	3363365	CLAMP, HOSE (S/P)
22	90767	SCREW (S/P)
23	8054659	CLIP, HOSE (2) (RECIRCULATING) (S/P)
24	8271904	VALVE, INLET (S/P)
25	8271982	HOSE, DETERGENT (S/P)
26	596669	CLAMP, HOSE (S/P)
27	596669	CLAMP, HOSE (S/P)
28	8271984	HOSE, BLEACH (S/P)
29	596669	CLAMP, HOSE (S/P)
30	596669	CLAMP, HOSE (S/P)
31	8271983	HOSE, FABRIC SOFTENER (S/P)

32	596669	CLAMP, HOSE (S/P)
33	596669	CLAMP, HOSE (S/P)
34	8055306	CHECK VALVE, DUCK BILL (S/P)
35	8271981	HOSE, FRESH FILL (S/P)
36	285655	CLAMP, HOSE (S/P)
37	285655	CLAMP, DRAIN HOSE (S/P)
38	8271909	BRACKET, VALVE (S/P)
39	8318499	SCREW (S/P)
40	8272128	RESTRAINT, HOSE (S/P)
41	8055003	CLIP, HARNESS & PRESSURE HOSE (S/P)
42	8054658	CLIP, HARNESS (S/P)
43	3352944	CLIP, PUSH-IN (S/P)
44	8528351	CLIP, HARNESS (S/P)
45	8282493	PANEL, REAR (S/P)
46	3351614	SCREW (S/P)
47	62863	SCREW (S/P)
48	693995	SCREW (S/P)
49	62747	PAD, REAR PANEL (2) (S/P)
50	8519200	SUPPORT, REAR PANEL
51	16123	WASHER, INLET HOSE (S/P)
52	89503	HOSE, WATER INLET (BLUE COUPLER)
53	8543414	SHIELD, UPPER VALVE (INCL. NO.54 & NO.60) (S/P)
54	356907	RIVET, PLASTIC (S/P)
55	285655	CLAMP, HOSE (S/P)
56	616099	CLAMP, HOSE (S/P)
57	8055063	HOSE, TUB TO PUMP (S/P)
58	3357331	CLAMP, HOSE (S/P)
59	3367669	EDGE PROTECTOR (S/P)
60	8272150	SHIELD, SPLASH VALVE (S/P)
61	387999	BAND, RETAINING (S/P)
65	3357027	NOZZLE, DRAIN HOSE (S/P)

GSX9885JQ0 TINA

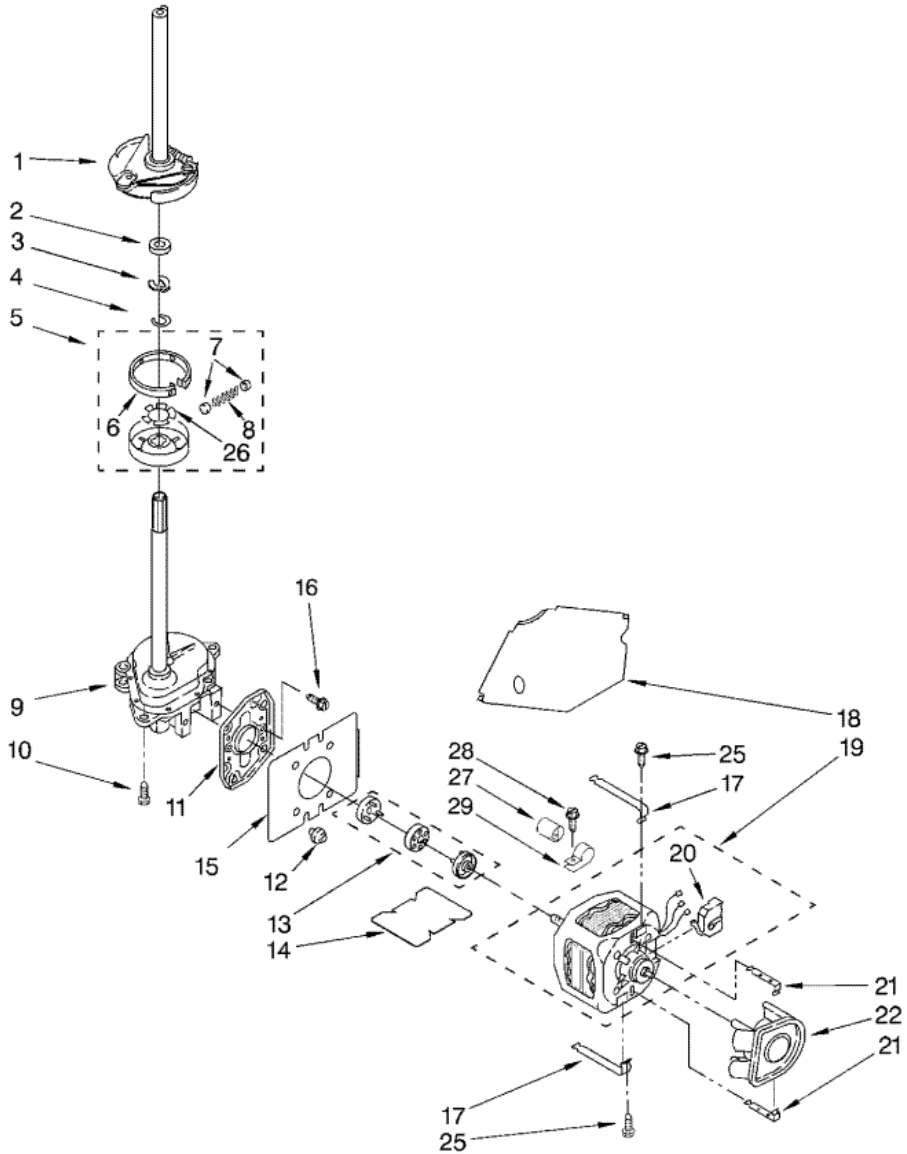




GSX9885JQ0 TINA

1	3428527	CAP, AGITATOR
2	358237	SCREW & WASHER
3	285809	CAM-DRIVEN
4	3952374	BEARING-DRIVEN CAM (S/P)
5	285770	DOG-AGITATOR
6	3951744	AGITATOR
7	3951744	AGITATOR ASSEMBLY (COMPLETE)
8	285832	TUB RING ASSEMBLY (S/P)
9	8054355	SEAL, TUB RING (S/P)
10	3951984	BASKET (ALSO ORDER NO.12) (S/P)
11	21366	NUT, SPANNER
12	285868	FILTER PLUG (2)
13	8055061	TUB (S/P)
14	3363003	CLOTHES MOVER
15	389140	BLOCK, BASKET DRIVE
16	383727	GASKET, CENTERPOST
17	353244	HOSE, PRESSURE SWITCH
18	8526794	HOSE ASSEMBLY, BLEACH OUTLET (S/P)
19	3951608	SPACER-THRUST
20	8541606	ABSORBER, SOUND (TUB) (S/P)
21	3949550	WASHER (S/P)
22	285551	CAP, BARRIER
23	3348855	SEAL, INNER CAP
24	8055082	SHIELD, SPLASH (S/P)
25	596669	CLAMP, HOSE (S/P)
26	8055272	CLIP, ABSORBER (S/P)
27	8055273	STRAP, ABSORBER (S/P)
28	3351189	RETAINER, PUSH-IN (S/P)
29	8271897	BALANCE RING (S/P)

GSX9885JQ0 MOTOR





GSX9885JQ0 MOTOR

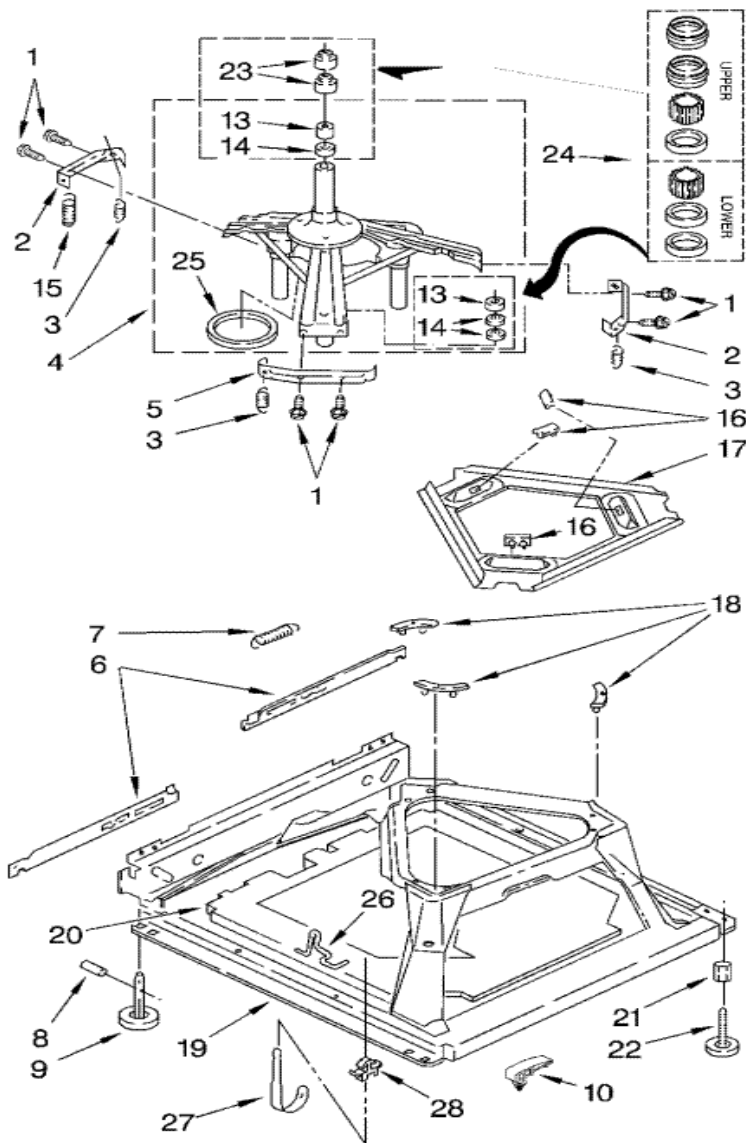
1	285792	BRAKE & DRIVE TUBE (COMPLETE)
2	63292	WASHER, SPIN TUBE THRUST
3	62697	RING, SPIN TUBE SUPPORT
4	285353	RING, RETAINER
5	285785	CLUTCH (COMPLETE)
6	285790	BAND & LINING, CLUTCH (INCLUDES ILLUS. 7 & 8)
7	62646	CAP, CLUTCH SPRING (2) (S/P)
8	3946792	SPRING, CLUTCH (S/P)
9	3360629	GEARCASE (COMPLETE)
10	3357334	SCREW, GEARCASE TO BASE (3) (S/P)
11	62611	PLATE, MOTOR MOUNT TO GEARCASE
12	62691	GROMMET, MOTOR (4)
13	285753	COUPLING, MOTOR
14	3946532	SHIELD, MOTOR (S/P)
15	8282581	SHIELD, SPLASH (MOTOR) (S/P)
16	3400516	SCREW (2) (S/P)
17	3349637	RETAINER, MOTOR (2)
18	8054680	SHIELD, TUB TO MOTOR (S/P)
19	3352287	MOTOR, MAIN DRIVE
20	8529896	SWITCH, MAIN DRIVE MOTOR
21	62700	RETAINER, PUMP (2)
22	3363394	PUMP (COMPLETE)
25	3387485	SCREW, 10-16 X 5/8 (2) (S/P)
26	3355454	CLIP, ANTI-RATTLE (S/P)
27	8572720	CAPACITOR, MOTOR START (S/P)
28	62863	SCREW, 10-16 X 3/8 (S/P)
29	357030	CLAMP, CAPACITOR (S/P)

Distribuidor Autorizado

SurteRápido.com

Venta de Refacciones
Electrodomesticas

GSX9885JQ0 BASE

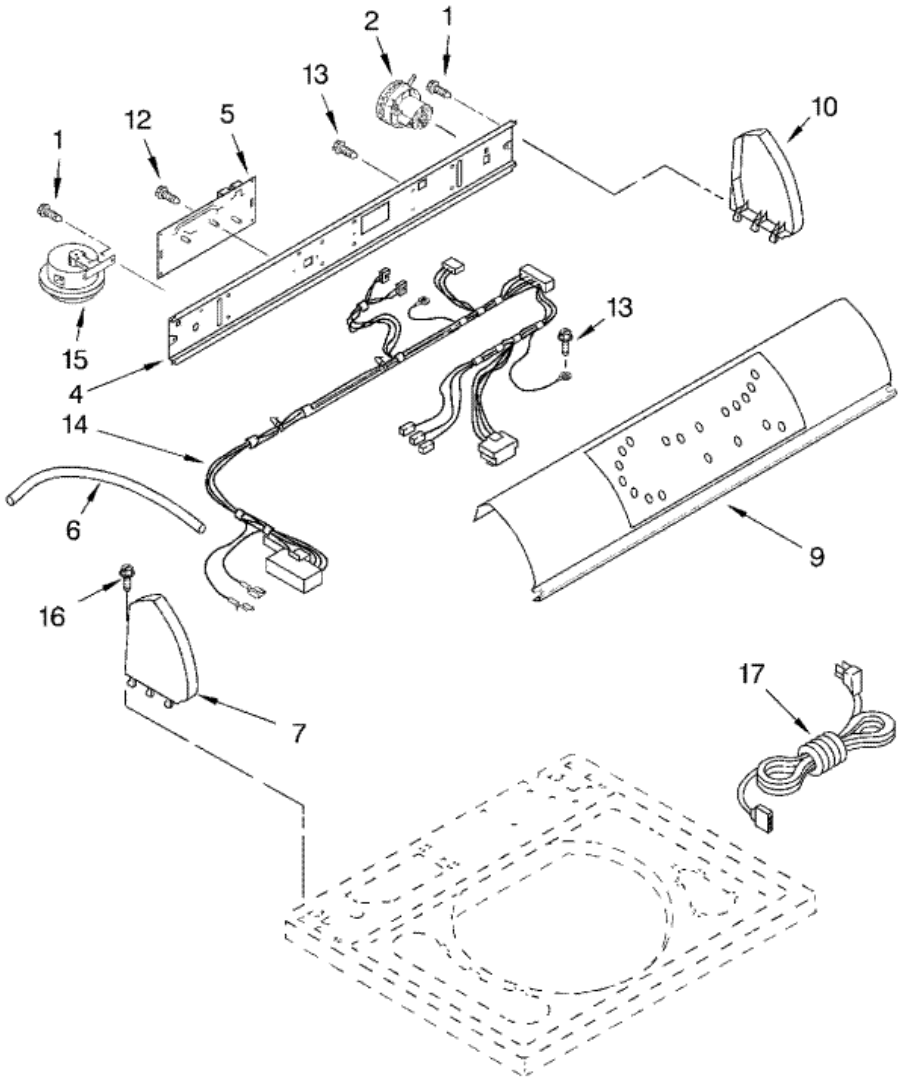




GSX9885JQ0 BASE

1	3400076	SCREW, BRACKET MOUNTING (S/P)
2	8282552	BRACKET, SPRING OUTER (2) (S/P)
3	63907	SPRING, SUSPENSION (3)
4	280184	SUPPORT & BRAKE, TUB
5	8282550	BRACKET, SPRING OUTER (L.F.) (S/P)
6	63466	LINK, LEVELING MECHANISM (2)
7	8316845	SPRING, LEVELING MECHANISM
8	62837	PIN, KNURLED (S/P)
9	285244	FOOT, REAR (2)
10	3976276	CLIP, SOUND BOARD (2) (S/P)
13	8546455	BEARING, CENTERPOST (2) (S/P)
14	359449	SEAL, CENTERPOST (3)
15	388492	SPRING, COUNTERWEIGHT
16	285219	PAD, PLATE
17	3946509	PLATE, SUSPENSION
18	285744	PAD, BASE
19	285771	BASE ASSEMBLY
20	8544816	SOUND ABSORBER (S/P)
21	3359452	NUT, 3/8-16 (S/P)
22	389102	FOOT, FRONT (2)
23	91938	SEAL, CENTERPOST (2)
24	285203	CENTERPOST BEARING KIT
25	63134	RING, SOUND DEADENING
26	63806	RETAINER, SUSPENSION SPRING (3)
27	3347868	HANGER, DRAIN HOSE (S/P)
28	3350282	CLIP, SNAP-IN (DRAIN HOSE) (S/P)

GSX9885JQ0 TABLERO

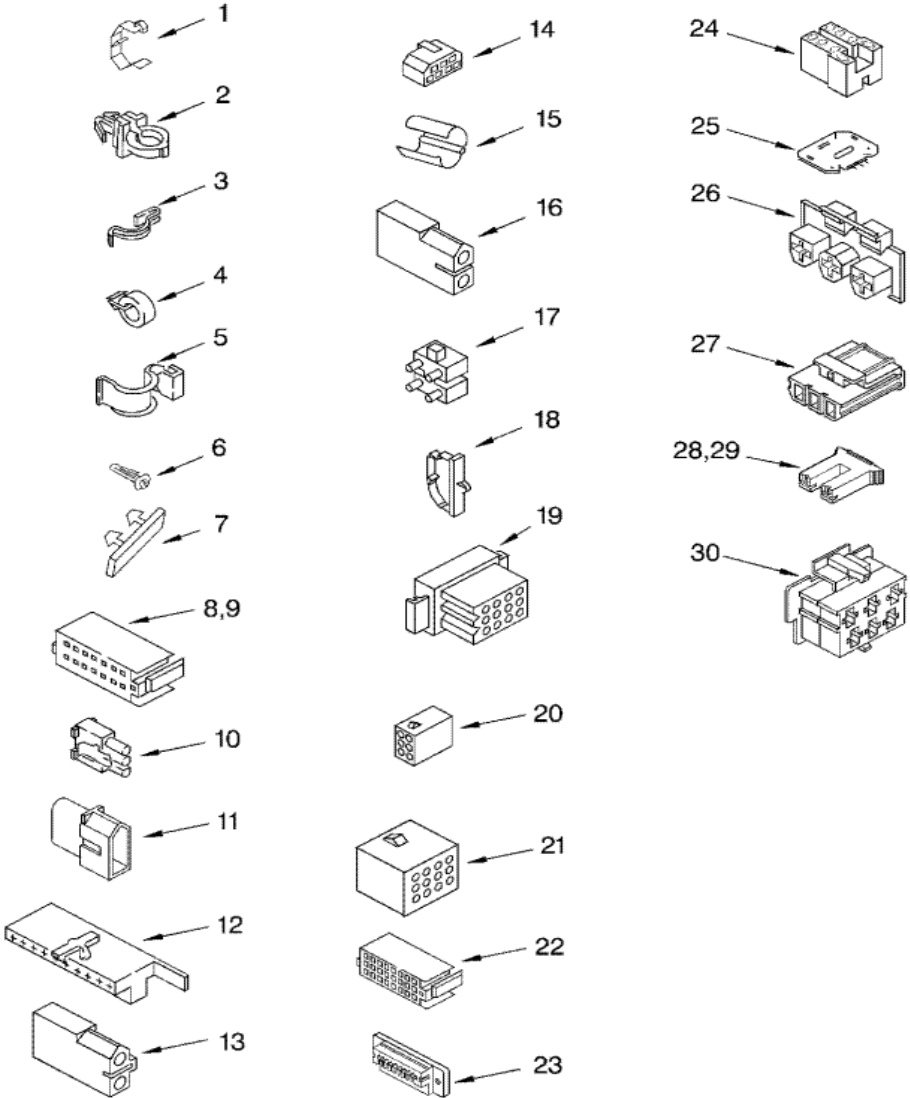




GSX9885JQ0 TABLERO

1	90767	SCREW, 8A X 3/8 (S/P)
2	8054764	SWITCH, PRESSURE (S/P)
4	8274302	BRACKET, CONTROL (S/P)
5	8577278	CONTROL, ELECTRONIC
6	353244	HOSE, STATIC PRESSURE SWITCH
7	279962	CAP, END (L.H.) (WHITE)
7	279965	CAP, END (L.H.) (BISCUIT) (S/P)
9	8274396	PANEL, CONSOLE (WHITE) (S/P)
9	8274397	PANEL, CONSOLE (BISCUIT) (S/P)
10	279965	CAP, END (R.H.) (BISCUIT) (S/P)
10	279962	CAP, END (R.H.) (WHITE)
12	3400826	SCREW (S/P)
13	3400073	SCREW (S/P)
14	3955129	HARNESS, WIRING (S/P)
15	8299559	TRANSDUCER, PRESSURE (S/P)
16	388326	SCREW (S/P)
17	285800	CORD, POWER

GSX9885JQ0 HARNES

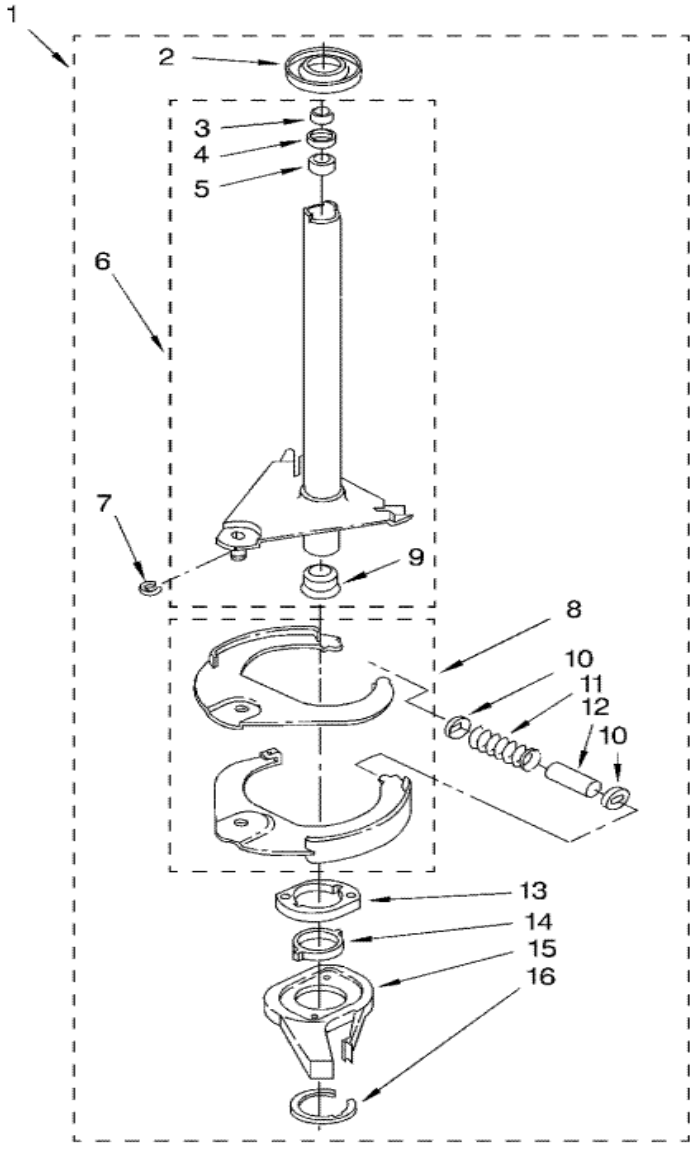




GSX9885JQ0 HARNES

1	3349557	CLIP, HARNESS (S/P)
2	388498	DESCONTINUADO
3	8528351	CLIP, HARNESS (S/P)
4	3348535	CLIP, HARNESS (S/P)
5	90016	CLIP, HARNESS (S/P)
6	8281256	CLIP, HARNESS (S/P)
7	389379	RETAINER, (SUDS MODELS) (S/P)
8	352090	DESCONTINUADO
9	352089	TIMER, BLOCK DISCONNECT (BLACK) (S/P)
10	62889	RECEPTACLE, TERMINAL (3-WAY) (S/P)
11	353424	PLUG, TERMINAL (3-WAY) (POWER CORD) (S/P)
12	62505	BLOCK, DISCONNECT (MOTOR 2 SPEED) (S/P)
13	3348075	DESCONTINUADO
14	3347243	BLOCK, DISCONNECT (USE TERM. 352088) (S/P)
15	63523	PROTECTOR (S/P)
16	717252	CONNECTOR (2-WAY) (USE TERM. 94614) (S/P)
17	938329	DESCONTINUADO
18	3352944	CLIP, HARNESS (S/P)
19	3390423	BLOCK, DISCONNECT (12-WAY) (TIMER) (S/P)
20	3347730	DESCONTINUADO
21	388818	PLUG, TERMINAL (12-WAY) (S/P)
22	3369366	DESCONTINUADO
23	3349494	CONNECTOR, ETC (S/P)
24	60688	CONNECTOR, RELAY (USE TERM. 308569) (S/P)
25	3955728	E.T.C. CONTROL
26	3948617	CONNECTOR (T.P.A.) (3-CIRCUIT) (S/P)
27	3360056	CONNECTOR (T.P.A.) (3-CIRCUIT) (S/P)
28	3354925	BLOCK, CONNECTOR (COLD VALVE) (S/P)
29	3354926	BLOCK, CONNECTOR (HOT VALVE) (S/P)
30	3948615	CONNECTOR (T.P.A.) (6-CIRCUIT) (S/P)

GSX9885JQ0 FLECHA HUECA

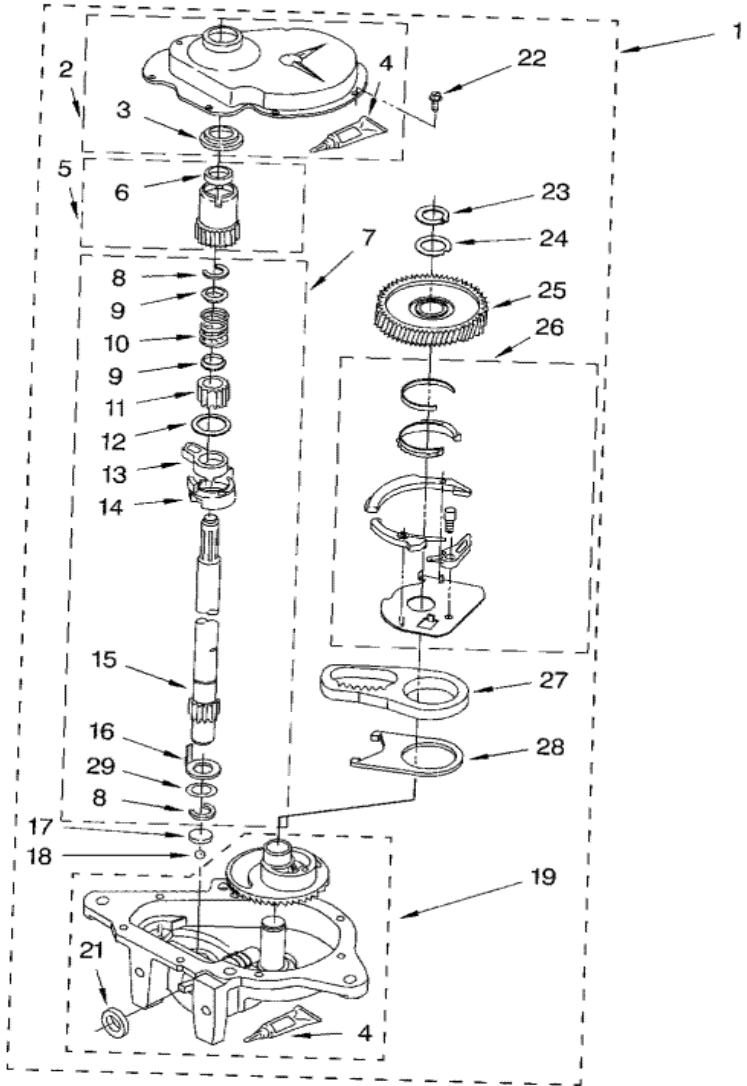




GSX9885JQ0 FLECHA HUECA

1	285792	BRAKE AND DRIVE TUBE (COMPLETE)
2	62658	RING, THRUST
3	91939	SEAL, OIL
4	356427	SEAL, DRIVE TUBE
5	356937	SPACER, DRIVE TUBE
6	64208	TUBE, BASKET DRIVE
7	64035	RING, RETAINING (S/P)
8	285438	SHOE, BRAKE
9	62703	``T`` BEARING, SPIN TUBE
10	285658	CAP, BRAKE SPRING (2) (S/P)
11	387806	SPRING, BRAKE
12	285658	SLEEVE, BRAKE SPRING (S/P)
13	661516	CAM, BRAKE RELEASE
14	63022	DESCONTINUADO
15	64194	DRIVER, BRAKE CAM
16	90368	RING, RETAINING
16	285208	LUBRICANT (S/P)

GSX9885JQ0 TRANSMISION

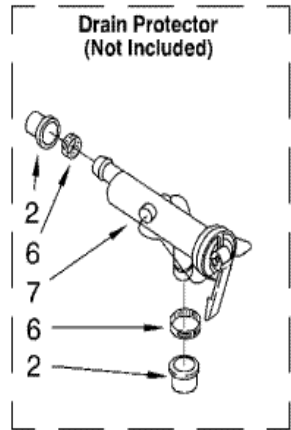
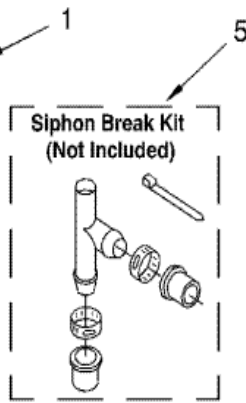
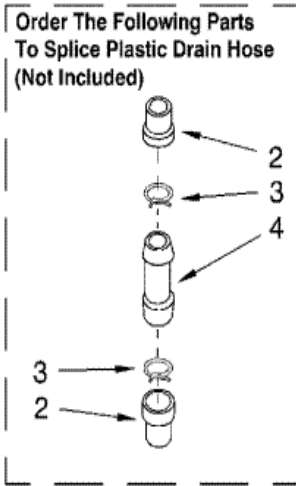




GSX9885JQ0 TRANSMISION

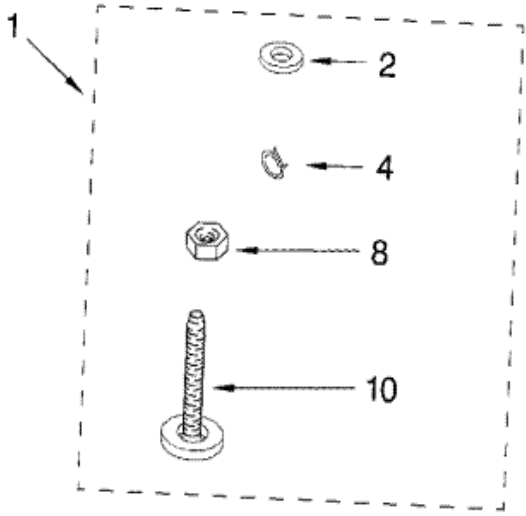
1	3360629	GEARCASE (COMPLETE)
2	285202	COVER, GEARCASE (S/P)
3	3349985	SEAL, GEARCASE COVER
4	285195	SEALER, GASKET (.20 FL. OZ.) (6 ML)
5	285362	PINION, SPIN (INCLUDES ILLUS. 25)
6	356427	SEAL, SPIN PINION
7	389387	SHAFT, AGITATOR (COMPLETE)
8	90369	RING, RETAINING (2)
9	62677	RETAINER, SPRING
10	62676	SPRING, AGITATE
11	285509	DESCONTINUADO
12	62619	WASHER, AGITATE GEAR (S/P)
13	285206	CAM FOLLOWER (INCLUDES 14)
14	285206	CAM, AGITATE (INCLUDES 13)
15	285509	SHAFT, AGITATOR (INCLUDES 11 AND 29) (S/P)
16	62618	WASHER, CAM THRUST (S/P)
17	285205	BEARING, THRUST (S/P)
18	285205	BALL, BEARING (S/P)
19	285515	BOTTOM AND PINION, GEARCASE (S/P)
21	285352	SEAL, THRUST PLUG (S/P)
22	3351614	SCREW, GEARCASE COVER, MOUNTING (S/P)
23	285765	RING, RETAINING (S/P)
24	285766	WASHER KIT, THRUST (S/P)
25	285362	GEAR, SPIN (S/P)
26	388253	NEUTRAL ASSEMBLY (S/P)
27	8546456	RACK, CONNECTING (S/P)
28	62621	ACTUATOR, SHIFT (S/P)
29	388815	WASHER, INTERMEDIATE (S/P)

GSX9885JQ0 SISTEMA DE AGUA



1	285442	CONNECTOR KIT, PLASTIC DRAIN HOSE (S/P)
2	285321	SLEEVE KIT, (CONTAINS 2 SLEEVES) (S/P)
3	285655	CLAMP, HOSE (S/P)
4	16272	CONNECTOR, STRAIGHT (S/P)
5	285320	SIPHON BREAK KIT (NOT INCLUDED) (S/P)
6	285655	CLAMP, HOSE (S/P)
7	367031	DRAIN PROTECTOR (NOT INCLUDED)

GSX9885JQ0 PATA



1	285654	MISCELLANEOUS PARTS BAG (S/P)
2	16123	WASHER, INLET HOSE (1-1/16 X 5/8) (4) (S/P)
4	356138	CLAMP, HOSE (S/P)
8	3359452	NUT, 3/8-16 (S/P)
10	389102	FOOT