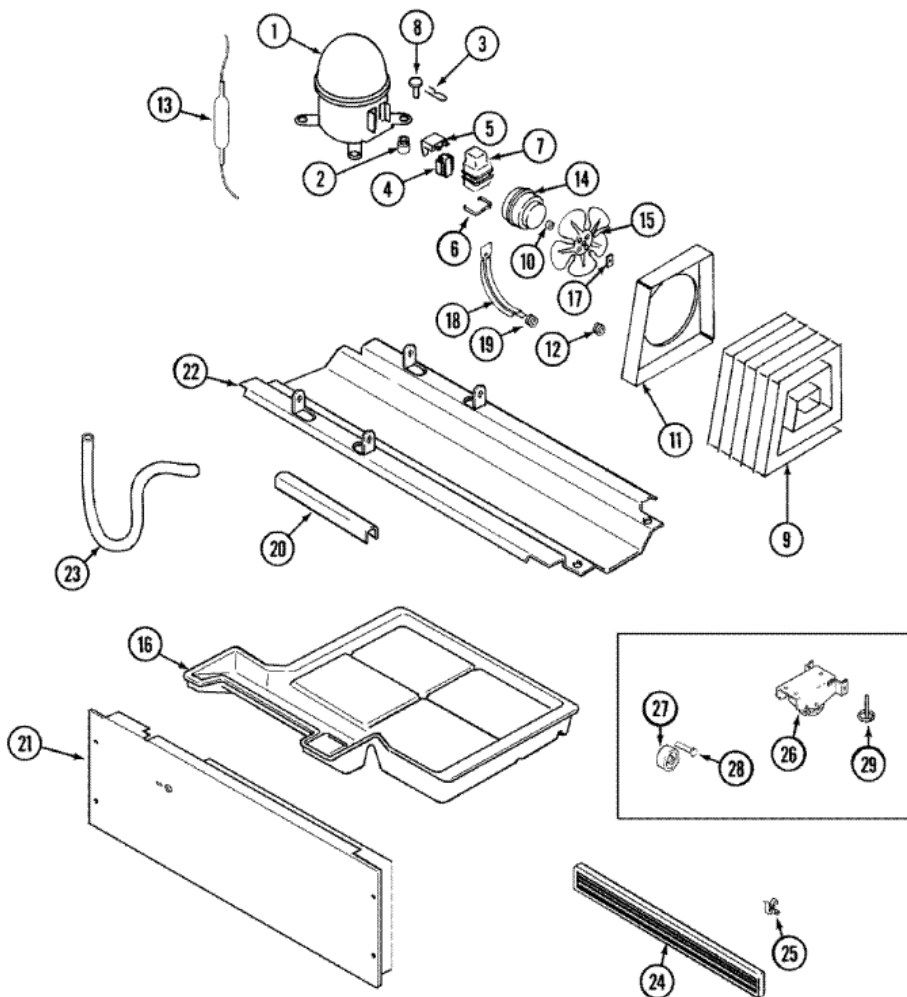


Distribuidor Autorizado

SurteRápido.com

Venta de Refacciones
Electrodomesticas

GT1911PXCW COMPRESSOR

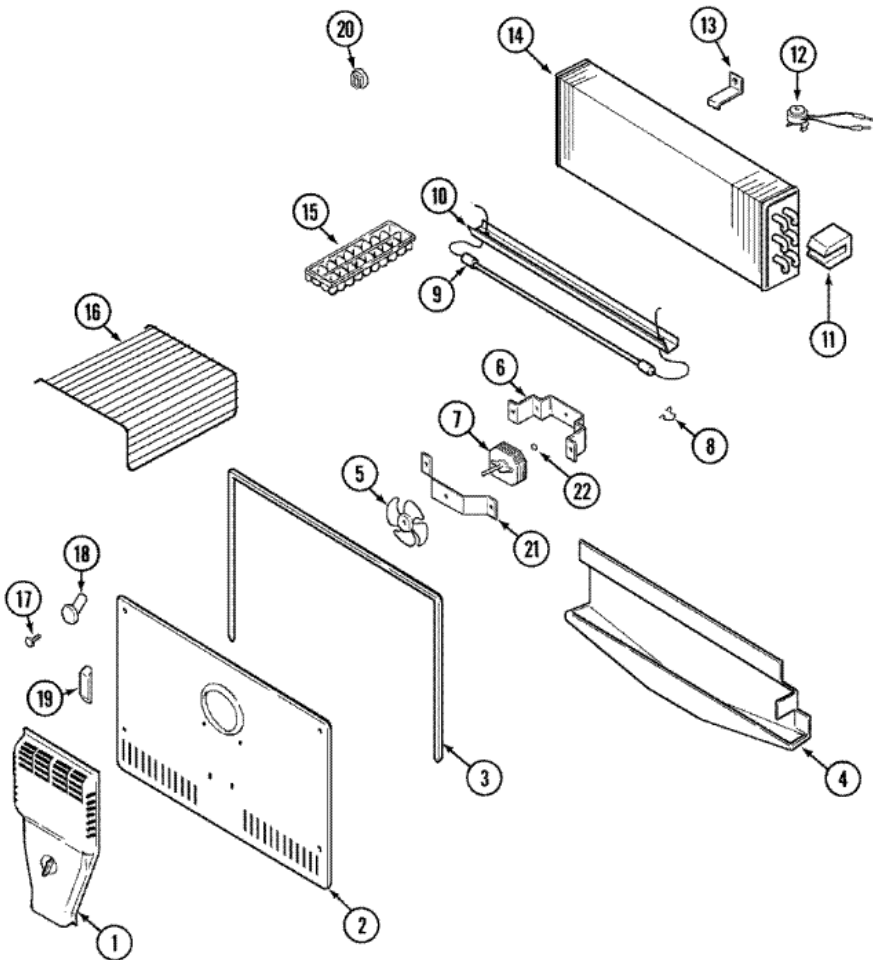




GT1911PXCW COMPRESSOR

1	12001814	COMPRESSOR (R134A) 115V. (S/P)
1	61002012	WIRE HARNESS, COMP(W/PWR.CORD) (S/P)
2	17245-4	GROMMET, COMPRESSOR (S/P)
3	61005561	CLIP (S/P)
4	10097204	RELAY, START (S/P)
5	61001983	OVERLOAD (S/P)
6	65886-1	CLIP, TERMINAL COVER (S/P)
7	66589-1	COVER, TERMINAL (S/P)
8	61006030	PLUG, COMPRESSOR (S/P)
9	61005454	CONDENSER (S/P)
9	61001885	SCREW (S/P)
10	61001686	WASHER, FAN BLADE (S/P)
11	61001941	SHROUD, CONDENSER (S/P)
12	61002033	GROMMET, CONDENSER TUBING (S/P)
13	13900-1	DRIER (S/P)
14	833697	MOTOR, CONDENSER FAN
15	12587601	BLADE, CONDENSER FAN (S/P)
16	61002958	FASTENER, DRAIN PAN (S/P)
16	61004095	PAN, DRAIN (S/P)
17	486692	CLIP, FAN BLADE (S/P)
18	69181-1	BRACKET, FAN MOTOR (S/P)
19	56933-1	GROMMET, BRACKET (S/P)
20	61001974	ISOLATOR, CONDENSER (S/P)
21	61005913	COVER, COMPRESSOR COMPT. (S/P)
22	61002327	PAN, COMPRESSOR MTG. (S/P)
23	61006123	TUBE, DRAIN TRAP (S/P)
24	61002427	KICKPLATE W/CLIPS (WHT) (S/P)
25	61001975	CLIP, KICKPLATE (S/P)
26	61001978	WHEEL ASSY. (S/P)
27	61003826	WHEEL (REAR) (S/P)
28	61002104	PIN, WHEEL (S/P)
29	61002105	LEG ASSY., LEVELING (S/P)
29	69810-1	CAP, LEVELING LEG (S/P)

**GT1911PXCW FREEZER
 COMPARTMENT**

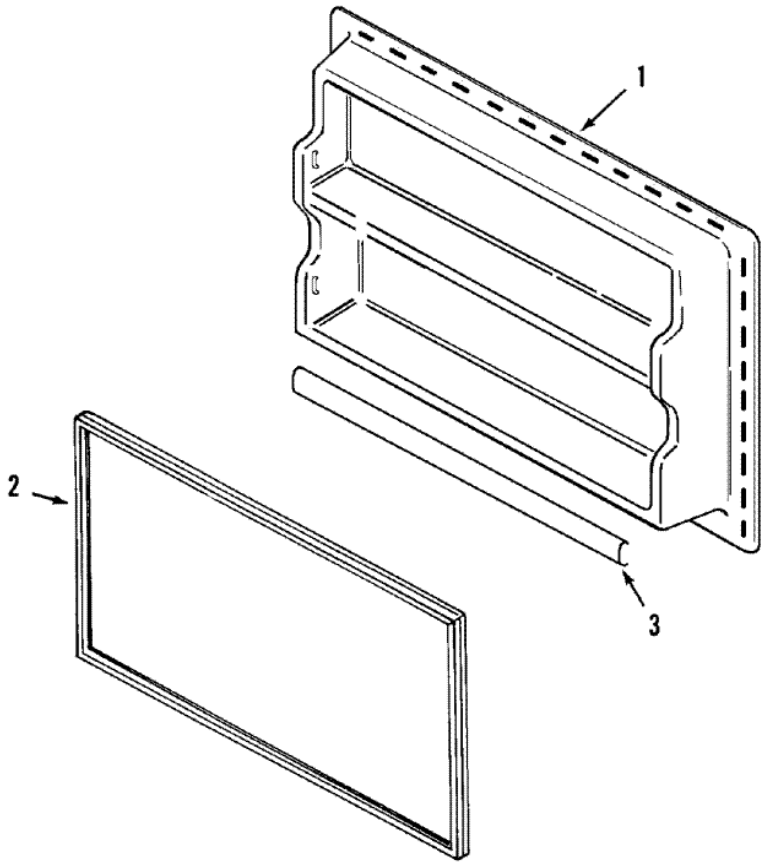




GT1911PXCW FREEZER COMPARTMENT

1	61001943	TUNNEL, AIR (S/P)
2	61002429	SCREW (S/P)
2	61002418	COVER, EVAPORATOR (S/P)
3	61002276	SEAL, FOAM (CTR) (S/P)
3	61004625	SEAL, EVAPORATOR COVER (S/P)
3	61002419	SEAL, FOAM (SOUND DAMPENING) (S/P)
4	61004838	DESCONTINUADO
5	61001935	BLADE, EVAPORATOR FAN (S/P)
6	61001930	BRACKET, EVAPORATOR FAN (S/P)
6	61001885	SCREW (S/P)
7	61004888	MOTOR, EVAPORATOR FAN
8	61003071	CLIP, DEFROST HEATER (S/P)
9	61002045	HEATER, DEFROST
10	61002320	SHIELD, DEFROST HEATER (S/P)
11	61003012	SUPPORT, EVAPORATOR (LT) (S/P)
11	61003013	SUPPORT, EVAPORATOR (RT) (S/P)
12	61002992	THERMOSTAT, DEFROST (S/P)
12	61005254	THERMOSTAT, DEFROST
13	400017-35	SCREW (S/P)
13	61001951	BRACKET, EVAPORATOR (S/P)
14	12001397	EVAP/HEAT EXCH. ASSY. 19` (S/P)
15	59281-2	TRAY, ICE (S/P)
16	61002001	TRIVET (S/P)
17	67557-2	PLUG BUTTON, AIR DUCT & I/M (S/P)
18	61002026	CAP, FILL TUBE (S/P)
19	61002027	CAP, I/M WIRE HARNESS (S/P)
20	61002028	DESCONTINUADO
21	61002234	RETAINER, EVAPORATOR FAN (S/P)
21	61001885	SCREW (S/P)
22	61002235	BUSHING, EVAPORATOR FAN (S/P)
23	61002321	WIRE HARNESS, FREEZER (S/P)

GT1911PXCW FREEZER INNER DOOR



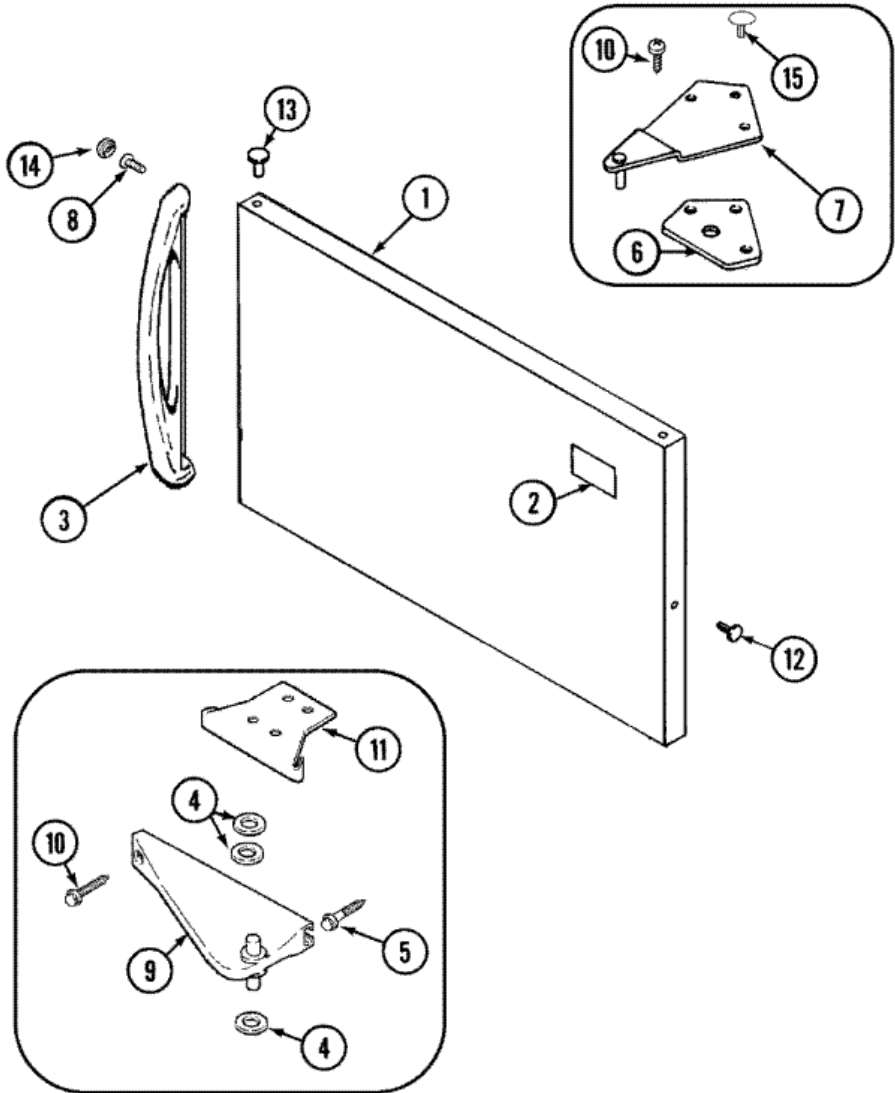
1	65275-5	SCREW (S/P)
1	61002403	LINER, FRZ. DOOR (S/P)
2	61004007	SEAL, FRZ. DOOR (WHT) (S/P)
3	61002400	TRIM, SHELF (23.5``) (S/P)

Distribuidor Autorizado

SurteRápido.com

Venta de Refacciones
Electrodomesticas

GT1911PXCW FREEZER OUTER DOOR





GT1911PXCW FREEZER OUTER DOOR

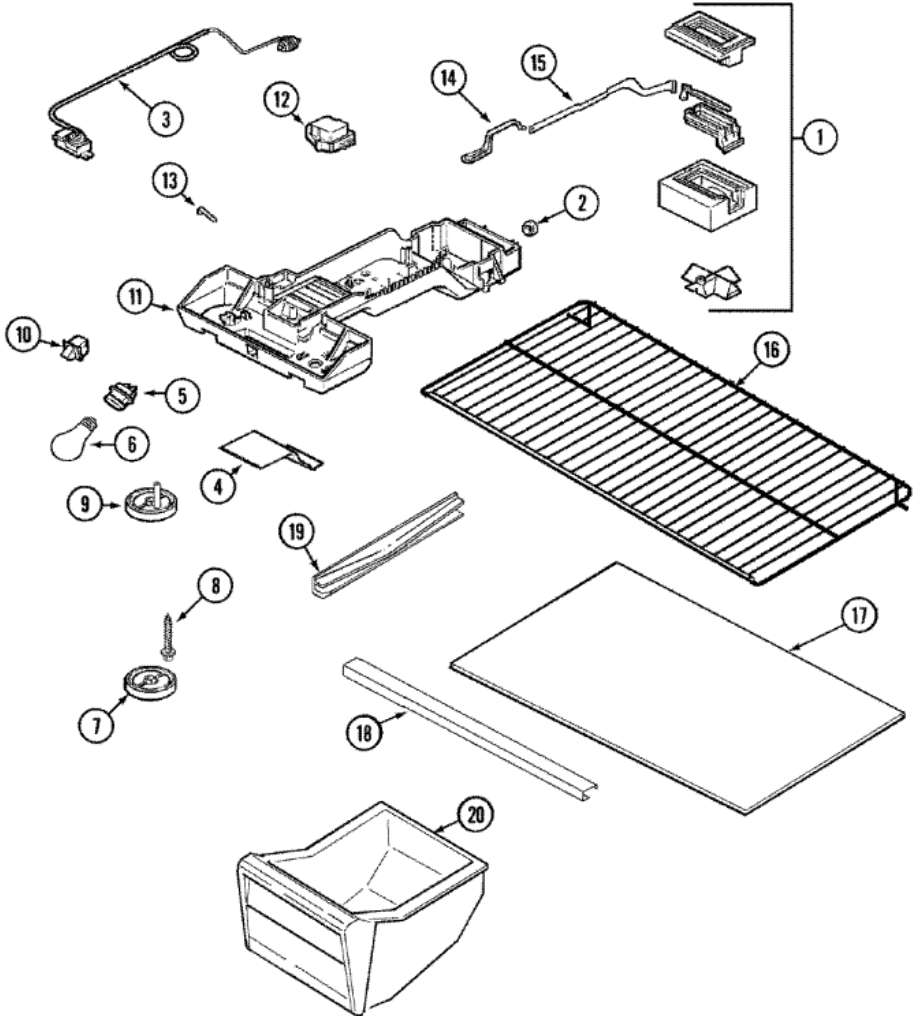
1	61002433	PANEL, FRZ. DOOR (WHT) (S/P)
2	61002134	BEZEL, NAMEPLATE (S/P)
3	61002016	HANDLE, DOOR (WHT) (S/P)
4	61002231	WASHER, CENTER HINGE (S/P)
5	61002025	SCREW (S/P)
6	61001922	SHIM, UPPER HINGE (S/P)
7	61004896	HINGE, UPPER (S/P)
8	61002031	SCREW, HANDLE (S/P)
8	61002912	ANCHOR, SCREW (S/P)
9	61001920	HINGE, CENTER (WHT) (S/P)
10	61002022	SCREW (S/P)
11	61001876	SCREW (S/P)
11	61004481	STOP, DOOR (WHT) (S/P)
11	61002180	SCREW (S/P)
12	61001910	PLUG BUTTON, HANDLE HOLE (WHT) (S/P)
13	61001908	PLUG BUTTON, HINGE CUP (WHT) (S/P)
14	69922-1	PLUG BUTTON, HANDLE (WHT) (S/P)
15	61001923	PLUG BUTTON, HINGE (WHT) (S/P)

Distribuidor Autorizado

SurteRápido.com

Venta de Refacciones
Electrodomesticas

GT1911PXCW FRESH FOOD COMPARTMENT

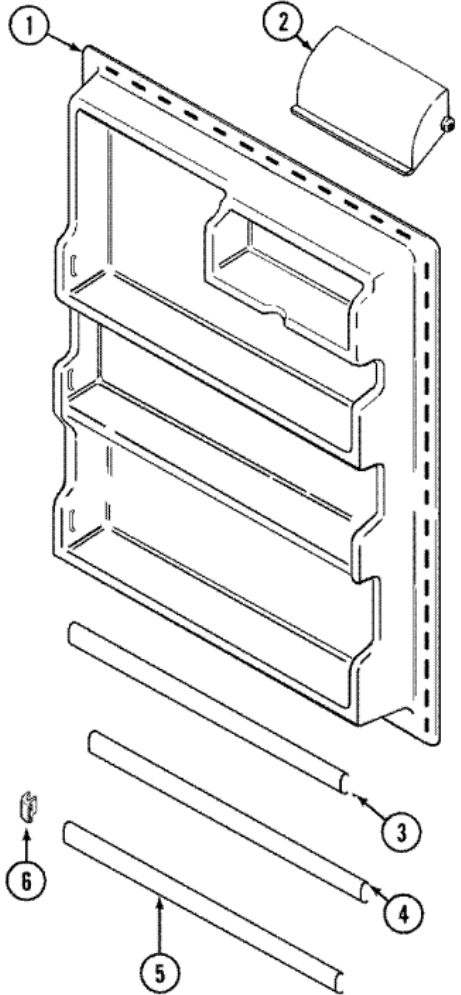
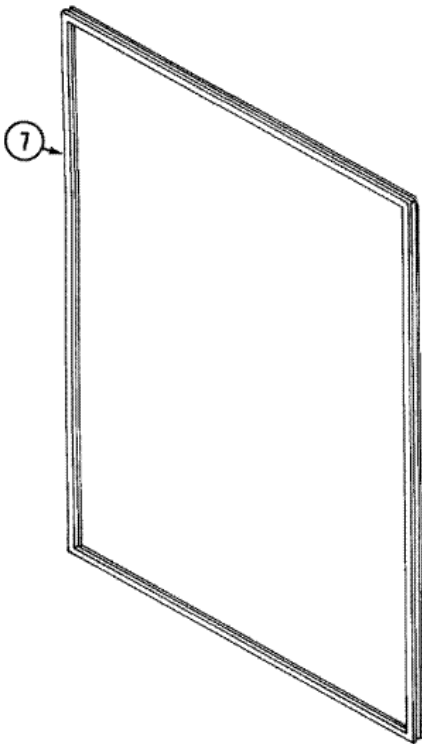




GT1911PXCW FRESH FOOD COMPARTMENT

1	12001377	DAMPER/INSULATION KIT (S/P)
2	61001977	SEAL, DRAIN (S/P)
3	65275-81	SCREW (S/P)
3	61002085	CONTROL ASSY., TEMPERATURE
4	61002985	FOIL, BARRIER (S/P)
5	61005604	RECEPTACLE, BULB (S/P)
6	61001787	BULB, LIGHT
7	61006072	KNOB, CONTROL (F.F.)
8	61002115	SCREW, HOUSING MTG. (S/P)
9	61001996	KNOB, CONTROL (FRZ.)
10	1118894	SWITCH, LIGHT (S/P)
11	61004622	HOUSING, CONTROL (S/P)
12	68233-3	TIMER, DEFROST
12	405007-1	SCREW (S/P)
13	61002117	CLIP, RECEPTACLE (S/P)
14	61002000	ARM, ACTUATOR (S/P)
15	61001999	TAPE, DAMPER ACTUATOR (S/P)
16	61002410	SHELF, SLIDE-OUT (S/P)
17	12001443	DESCONTINUADO
18	61002425	DESCONTINUADO
19	61004887	RAIL, CRISPER PAN (RT) (S/P)
19	61004886	RAIL, CRISPER PAN (LT) (S/P)
19	400017-1	SCREW (S/P)
20	61002426	DESCONTINUADO
21	61002212	WIRE HARNESS, CONTROLS (S/P)

**GT1911PXCW FRESH FOOD INNER
DOOR**

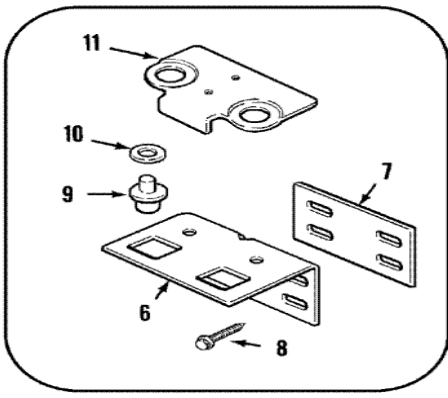
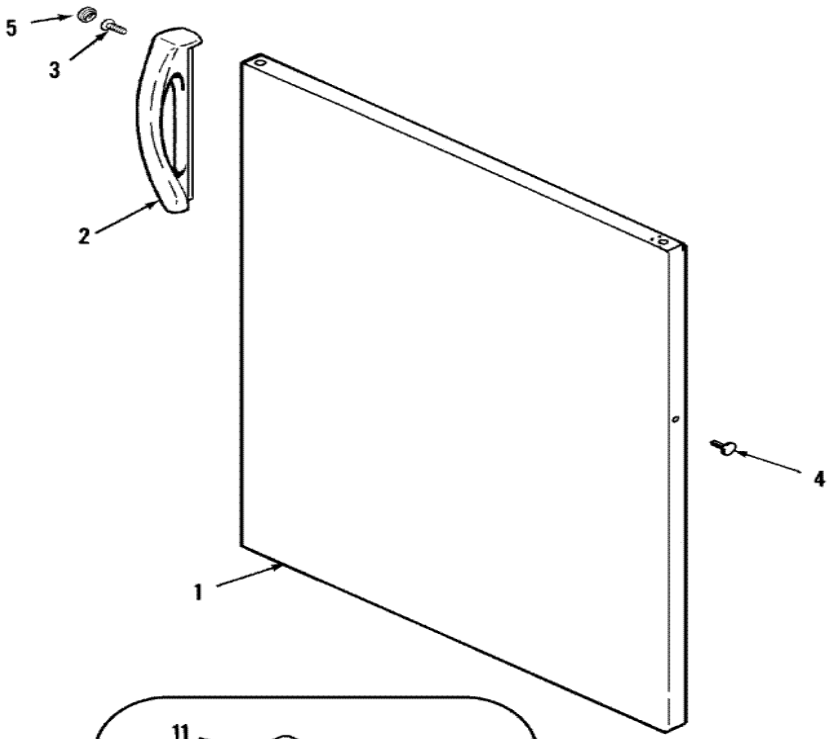




GT1911PXCW FRESH FOOD INNER DOOR

1	65275-5	SCREW (S/P)
1	61002401	LINER, F.F. DOOR (S/P)
2	61002469	DOOR, DAIRY (S/P)
3	61002398	TRIM, SHELF (22``) (S/P)
4	61002400	TRIM, SHELF (23.5``) (S/P)
5	61002399	TRIM, SHELF (24``) (S/P)
6	61002112	END CAP, SHELF TRIM (S/P)
7	61003997	SEAL, F.F. DOOR (WHT)

**GT1911PXCW FRESH FOOD OUTER
DOOR**





**GT1911PXCW FRESH FOOD OUTER
DOOR**

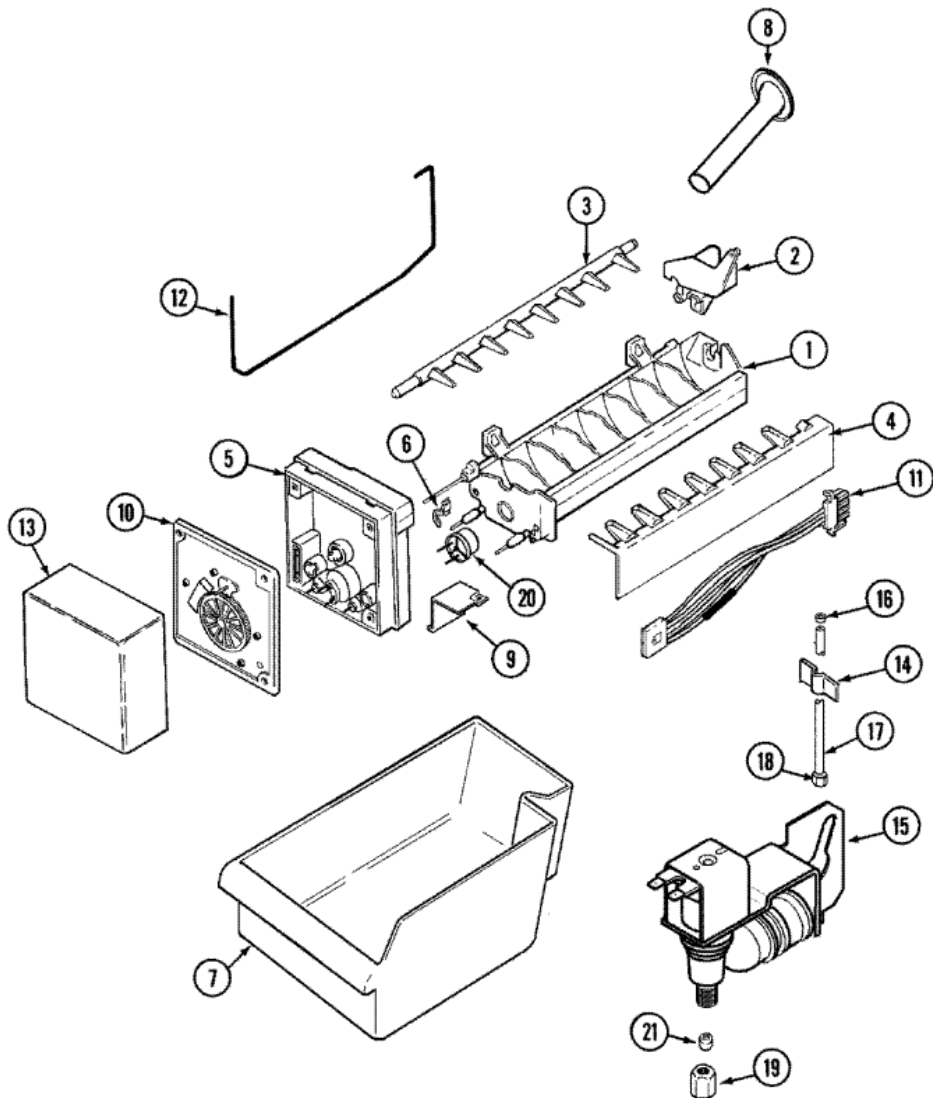
1	61002430	PANEL, F.F. DOOR (WHT) (S/P)
2	61002017	HANDLE, DOOR (WHT) (S/P)
3	61002031	SCREW, HANDLE (S/P)
3	61002912	ANCHOR, SCREW (S/P)
4	61001910	PLUG BUTTON, HANDLE HOLE (WHT) (S/P)
5	69922-1	PLUG BUTTON, HANDLE (WHT) (S/P)
6	61001918	HINGE, LOWER (WHT) (S/P)
7	61001926	SHIM, LOWER HINGE (S/P)
8	61002022	SCREW (S/P)
9	61001925	PIN, LOWER HINGE (S/P)
10	61002231	WASHER, CENTER HINGE (S/P)
11	61006147	STOP, DOOR (S/P)
11	61001876	SCREW (S/P)

Distribuidor Autorizado

SurteRápido.com

Venta de Refacciones
Electrodomesticas

GT1911PXCW ICE MAKER KIT





GT1911PXCW ICE MAKER KIT

1	D7824706Q	MOLD & HEATER ASSY.
1	99003172	GREASE, SILICONE (S/P)
2	628356	INLET, WATER
3	627843	EJECTOR, ICE (S/P)
4	2182124	STRIPPER, ICE (S/P)
5	2195914	SUPPORT, MODULE HOUSING (S/P)
5	95106-1	SCREW (S/P)
6	2315522	RETAINER, THERMOSTAT (S/P)
7	61001886	PAN, ICE (S/P)
8	61005940	GROMMET, WATER ENTRY (S/P)
9	625910	BRACKET, MODULE & HEATER (S/P)
9	95108-1	SCREW, BRACKET (S/P)
10	400021-1	SCREW (S/P)
10	D7824706Q	MODULE, ICE MAKER
11	61001882	WIRE HARNESS, ICE MAKER (S/P)
12	68112-1	ARM, SENSOR (S/P)
13	61005374	COVER, ICE MAKER (S/P)
14	61001889	CLIP, WATER LINE (ADHESIVE) (S/P)
14	53516-8	CLAMP, TUBING (S/P)
14	400016-1	SCREW (S/P)
15	61002819	SCREW (S/P)
15	61005273	VALVE, WATER (S/P)
16	60333-4	CLAMP, SPRING (S/P)
17	B5705307	TUBING, VALVE TO GROMMET (S/P)
18	69583-1	NUT, COMPRESSION (1/4") (S/P)
19	69432-1	NUT, BRASS (1/4") (S/P)
20	627985	THERMOSTAT
20	95093-1	CEMENT, ALUMILASTIC (4 OZ.) (S/P)
21	487627	SLEEVE, BRASS (S/P)