

Distribuidor Autorizado

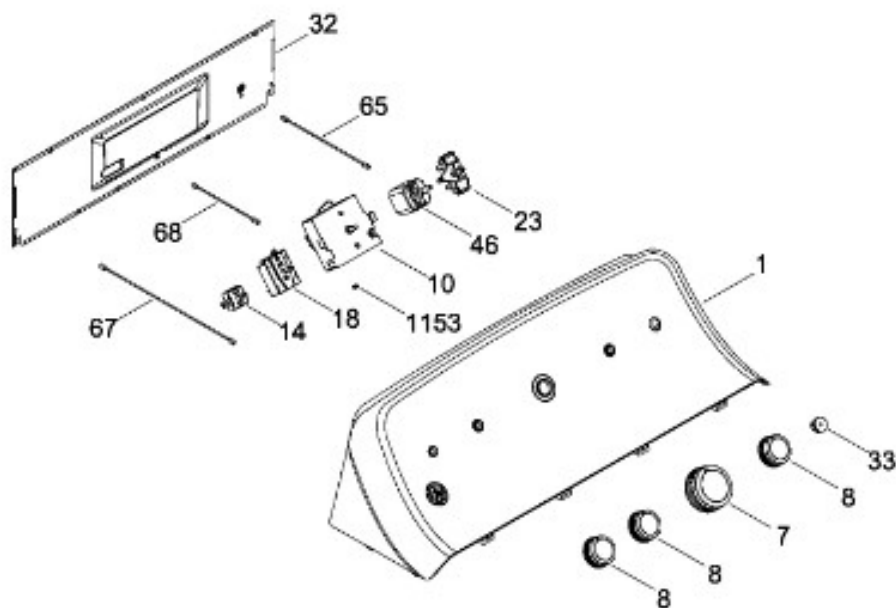
SurteRápido.com

Venta de Refacciones
Electrodomesticas

SECADORA GTD42EAAJ2WW

SISTEMA CONTROLES / CONTROL SYSTEM

GTD42EAAJ2WW



Distribuidor Autorizado

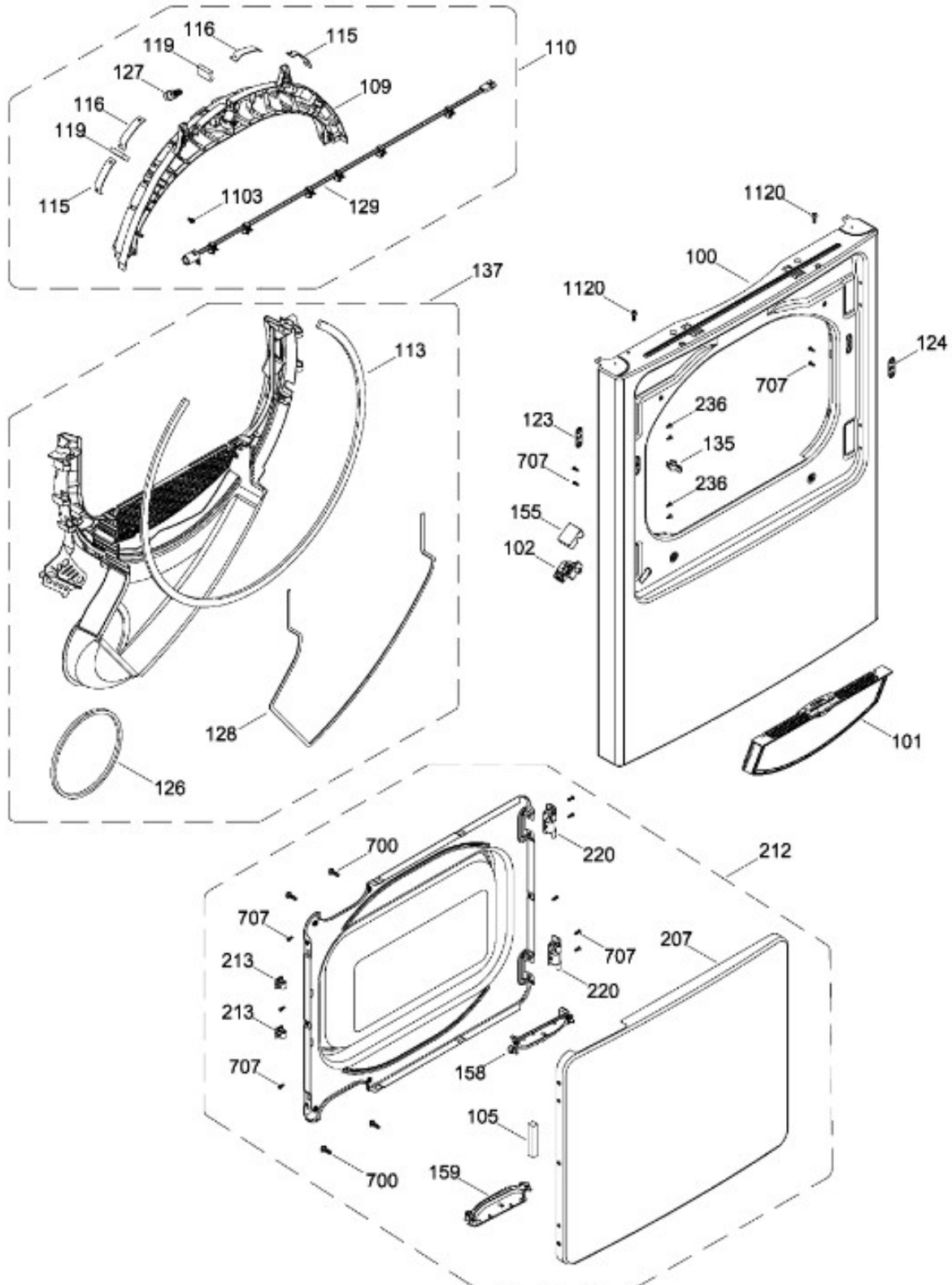
SurteRápido.com

Venta de Refacciones
Electrodomesticas

SECADORA GTD42EAAJ2WW

PANEL FRONTAL (ENS) / FRONT PANEL (ASM)
PUERTA (ENS) / DOOR (ASM)

GTD42EAAJ2WW



Distribuidor Autorizado

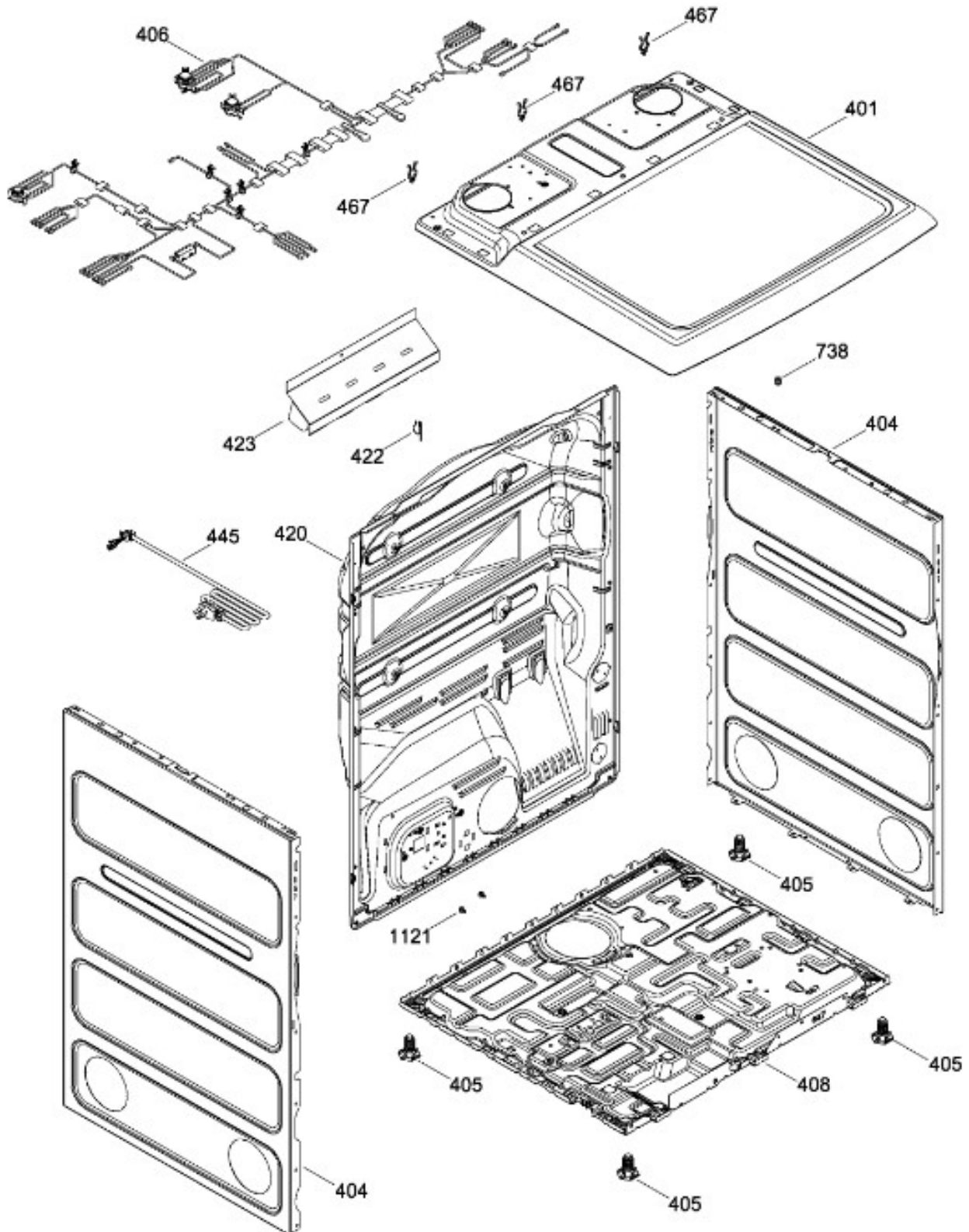
SurteRápido.com

Venta de Refacciones
Electrodomesticas

SECADORA GTD42EAAJ2WW

GABINETE / STRUCTURE

GTD42EAAJ2WW



Distribuidor Autorizado

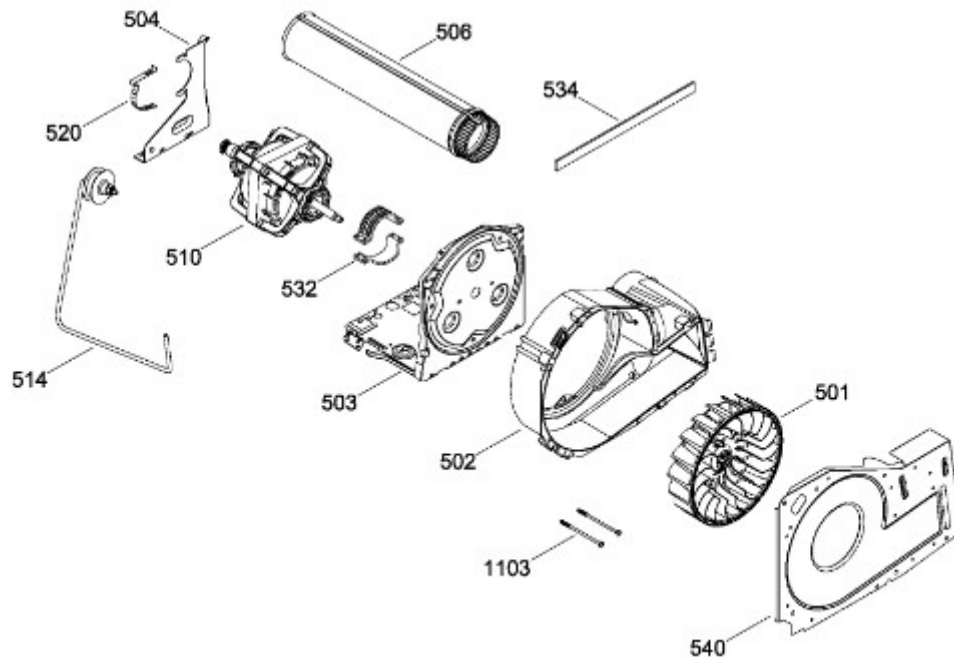
SurteRápido.com

Venta de Refacciones
Electrodomesticas

SECADORA GTD42EAAJ2WW

SISTEMA DE TRANSMISION (ENS) / BLOWER & DRIVE (ASM)

GTD42EAAJ2WW



Distribuidor Autorizado

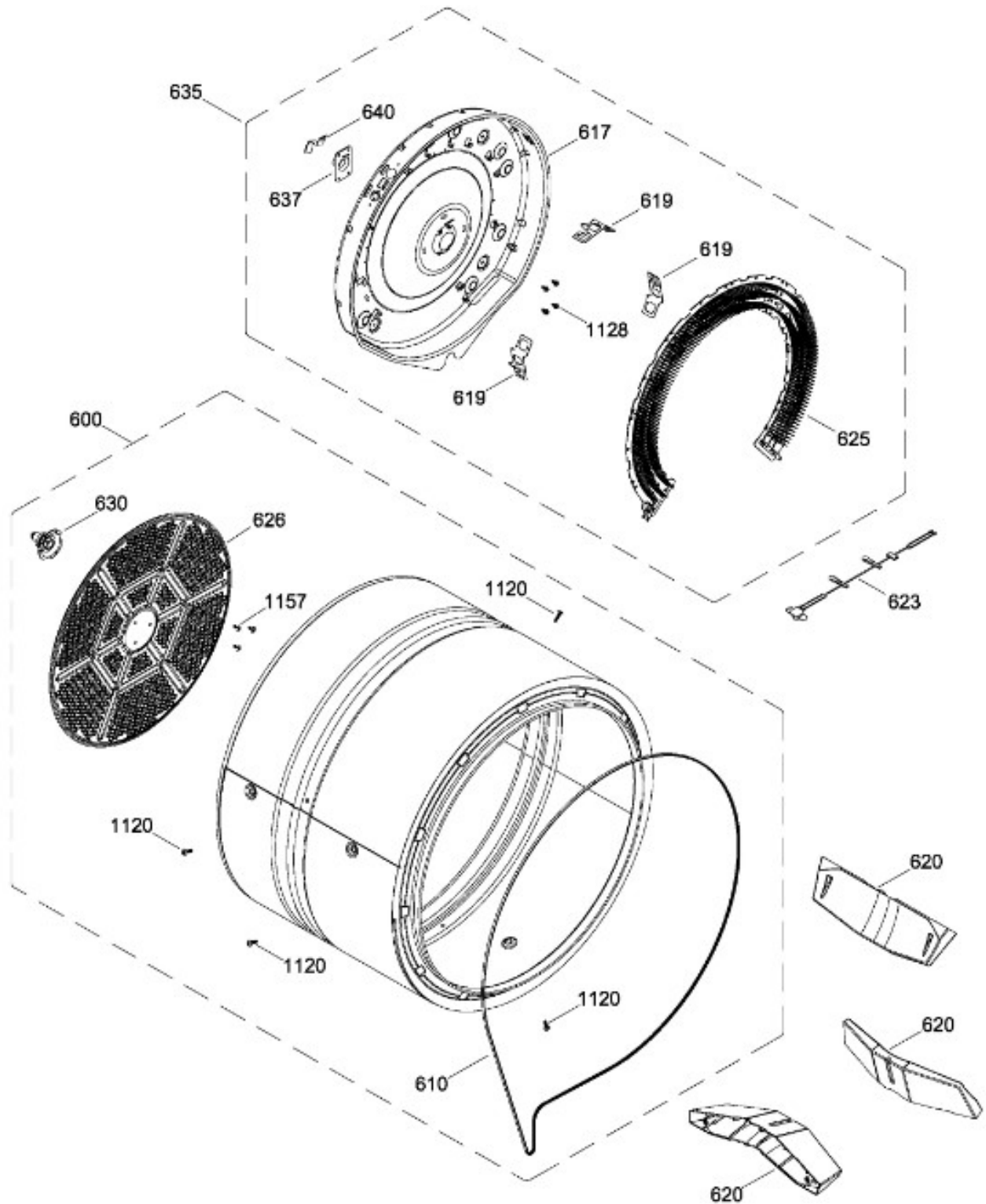
SurteRápido.com

Venta de Refacciones
Electrodomesticas

SECADORA GTD42EAAJ2WW

TAMBOR (ENS) / DRUM (ASM)

GTD42EAAJ2WW



Distribuidor Autorizado

SurteRápido.com

Venta de Refacciones
Electrodomesticas

SECADORA GTD42EAAJ2WW

| Guía | Refacción | Descripción |
|------|------------|------------------------------|
| 1 | WW02L00505 | COPETE ENSAMBLE |
| 7 | WW02L00500 | PERILLA CONTROL ENSAMBLE |
| 8 | WW02L00501 | PERILLA ROTATORIA ENSAMBLE |
| 10 | WW02F00565 | RELOJ |
| 14 | WW02F00572 | SWITCH ROTATORIO |
| 18 | WW02F00567 | SWITCH ROTATORIO |
| 18 | WW02F00569 | SWITCH ROTATORIO |
| 23 | WW02L00024 | INTERRUPTOR ARRANQUE |
| 32 | WW02L00502 | PANEL TRASERO |
| 33 | WW02F00574 | BOTON INICIO ENSAMBLE |
| 46 | WW02F00573 | TIMBRE VARIABLE |
| 65 | WW02F00618 | ARNES ENS |
| 67 | WW02F00651 | ARNES ENS |
| 68 | WW02F00621 | ARNES ENS |
| 100 | WW02L00560 | PANEL FRONTAL |
| 101 | WW02F00534 | FILTRO ATRAPAPELUSA ENSAMBLE |
| 102 | WW02L00465 | INTERRUPTOR DE PUERTA |
| 102 | WW02F00809 | INTERRUPTOR DE PUERTA |
| 105 | WW02L00526 | ESPACIADOR PUERTA |
| 109 | WW02A00194 | COJINETE SUPERIOR |
| 110 | WW02F00686 | ENSAMBLE COJINETE SUPERIOR |
| 113 | WW01L01329 | FELPA COLECTOR DE AIRE |
| 113 | WW02F00783 | FELPA COLECTOR DE AIRE |
| 113 | WW02F00783 | FELPA DUCTO RECOLECTOR |
| 113 | WW02F00783 | FELPA DUCTO RECOLECTOR |
| 113 | WW02F00783 | FELPA DUCTO RECOLECTOR |
| 115 | WW03A00015 | COJINETE DESLIZABLE |
| 116 | WW03A00016 | COJINETE DESLIZABLE |
| 116 | WW02A00250 | COJINETE DESLIZABLE |
| 119 | WW02F00131 | FIELTRO |
| 119 | WW02F00784 | FIELTRO |
| 123 | WW02A00056 | STRIKE PLATE |
| 124 | WW02A00057 | STRIKE PLATE |
| 126 | WW02L00040 | GASKET FOAM |
| 127 | WW03F00458 | LAMPARA |

Distribuidor Autorizado

SurteRápido.com

Venta de Refacciones
Electrodomesticas

SECADORA GTD42EAAJ2WW

| Guía | Refacción | Descripción |
|------|------------|-------------------------------|
| 128 | WW02L00527 | SELLO |
| 129 | WW02F00706 | ENSAMBLE CLAVIJA |
| 135 | WW03F00307 | SEGURO |
| 137 | WW02F00654 | ENSAMBLE DUCTO |
| 155 | WW02L00466 | PROTECTOR INTERRUPTOR |
| 158 | WW02L00528 | INSERTO JALADERA |
| 159 | WW02L00529 | INSERTO JALADERA |
| 207 | WW02L00533 | PUERTA EXTERIOR |
| 212 | WW02L00503 | PUERTA SOLIDA ENSAMBLE |
| 212 | WW02L00632 | PUERTA SOLIDA ENSAMBLE |
| 213 | WW02F00622 | LATCH |
| 220 | WW02L00534 | BISAGRA ASM |
| 236 | WW02A00065 | BOTON BELLEZA |
| 401 | WW02L00504 | CUBIERTA |
| 404 | WW02L00559 | PANEL LATERAL BLANCO |
| 404 | WW02L00673 | PANEL LATERAL BLANCO |
| 405 | WW02L00244 | PATA NIVELADORA |
| 406 | WW02F00728 | ARNES ELEC ENSAMBLE |
| 408 | WW01L01657 | BASE CHASIS |
| 420 | WW02L00536 | PANEL POSTERIOR |
| 420 | WW02L00536 | PANEL POSTERIOR |
| 422 | WW02F00022 | CORD SET RETAINER |
| 423 | WW02L00107 | ESCUDO CALOR POST. |
| 445 | WW03F00109 | CORDON TOMACORRIENTE(240V CA) |
| 467 | WW02F00704 | HARDWARE COMPONENTS |
| 501 | WW02F00522 | VENTILADOR 8.5" |
| 501 | WW02F00900 | VENTILADOR 8.5" |
| 502 | WW02F00695 | CUBIERTA VENTILADOR |
| 503 | WW02F00523 | PLACA MOTOR |
| 503 | WW02F00523 | PLACA MOTOR |
| 504 | WW02F00027 | SOPORTE MOTOR |
| 506 | WW02F00536 | DUCTO DE ESCAPE |
| 510 | WW02F00521 | ENSAMBLE MOTOR Y POLEA |
| 510 | WW02A00226 | ENSAMBLE MOTOR Y POLEA |
| 514 | WW03F00350 | ENSAMBLE BRAZO TENSOR |

Distribuidor Autorizado

SurteRápido.com

Venta de Refacciones
Electrodomesticas

SECADORA GTD42EAAJ2WW

| Guía | Refacción | Descripción |
|------|------------|-----------------------------|
| 520 | WW02F00031 | CLIP MOTOR |
| 532 | WW02F00003 | CORREA MOTOR |
| 532 | WW02A00232 | CORREA MOTOR |
| 534 | WW02A00026 | EMPAQUE ESCAPE SOPLADOR |
| 534 | WW02F00785 | EMPAQUE ESCAPE SOPLADOR |
| 540 | WW02L00537 | PLATO VENTILADOR |
| 540 | WW02L00537 | PLATO VENTILADOR |
| 600 | WW02F00561 | TAMBOR ENSAMBLE 7.0 ALCOSTA |
| 610 | WW03F00351 | BANDA |
| 610 | WW02F00028 | BANDA |
| 610 | WW02F00854 | BANDA SECADORA |
| 617 | WW02L00021 | CUBIERTA CALENTADOR |
| 619 | WW01A00442 | SOPORTE DE PROTECCION |
| 620 | WW02L00421 | ALETA |
| 623 | WW02F00653 | ARNES TERMOSTATO |
| 623 | WW02F00742 | ARNES TERMOSTATO |
| 625 | WW03F00180 | CALENTADOR ENS |
| 626 | WW02F00827 | DIFUSOR |
| 630 | WW02A00019 | ENS. SOPORTE BUJE |
| 635 | WW03F00366 | MICA HEAT & HOUSING AS |
| 637 | WW02A00005 | RETENEDOR RODAMIENTO |
| 640 | WW02F00833 | SOPORTE TIERRA ENS |
| 700 | WW02A00102 | SCREW CHASSIS TO FRONT HSG. |
| 707 | WW01A00539 | TORNILLO |
| 738 | WW02A00214 | ARANDELA CABEZA REDONDA |
| 1101 | WW03A00195 | TORNILLO |
| 1101 | WW02A00211 | TORNILLO |
| 1103 | WW02A00032 | TORNILLO |
| 1120 | WW02A00031 | TORNILLO |
| 1121 | WW01A00001 | TORNILLO |
| 1128 | WW02A00211 | TORNILLO ESTANDARIZANTE |
| 1153 | WW02A00200 | TORNILLO |
| 1157 | WW01A00456 | TORNILLO #10 |