

Distribuidor Autorizado

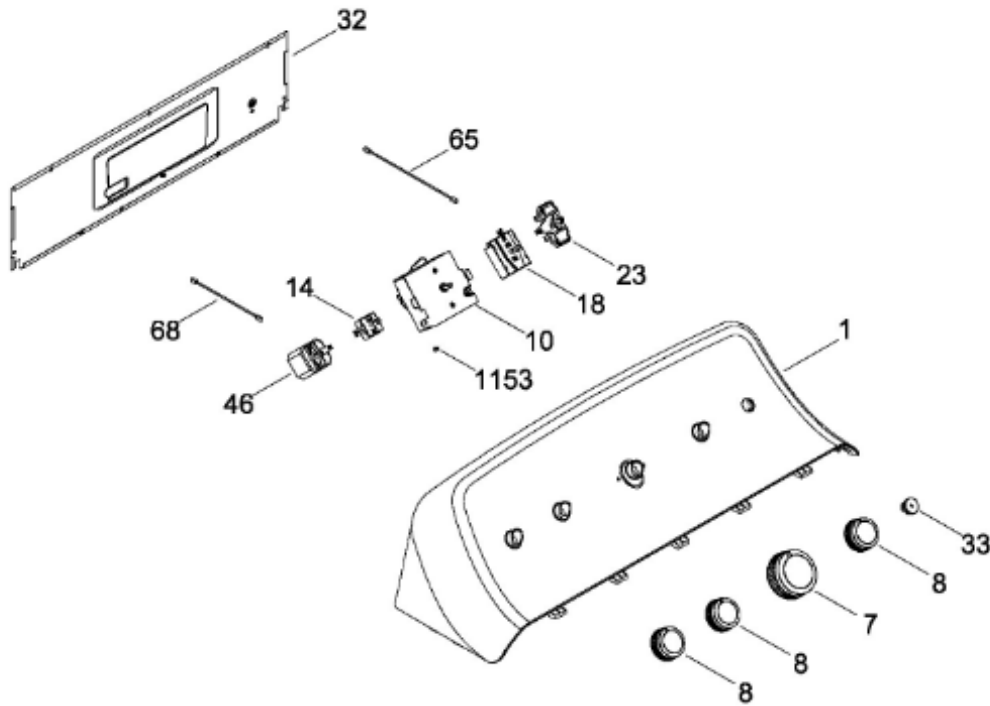
SurteRápido.com

Venta de Refacciones  
Electrodomesticas

# SECADORA GTD42EBMK0WW

SISTEMA CONTROLES / CONTROL SYSTEM

GTD42EBMK0WW



Distribuidor Autorizado

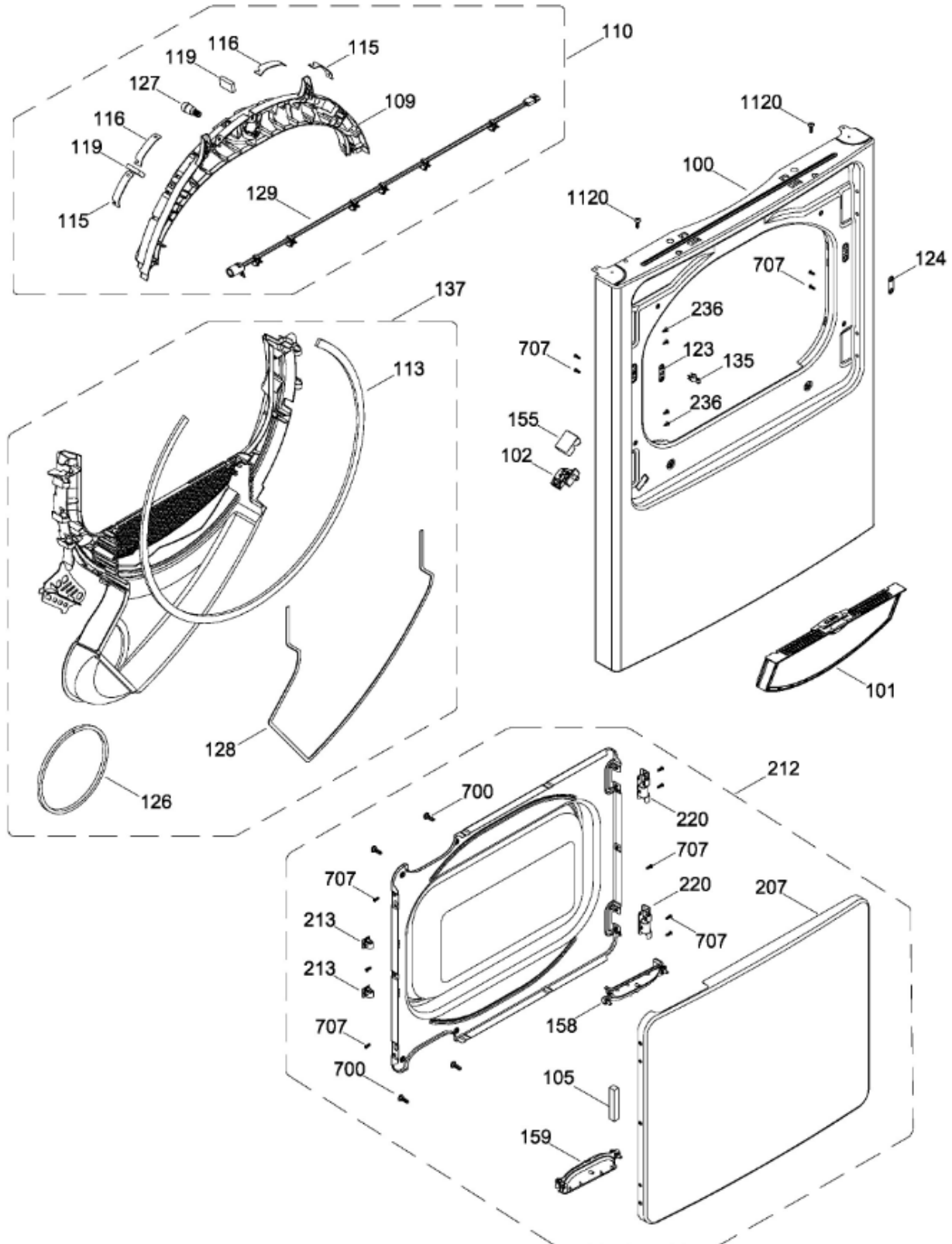
SurteRápido.com

Venta de Refacciones  
Electrodomesticas

# SECADORA GTD42EBMK0WW

PANEL FRONTAL (ENS) / FRONT PANEL (ASM)  
PUERTA (ENS) / DOOR (ASM)

GTD42EBMK0WW



Distribuidor Autorizado

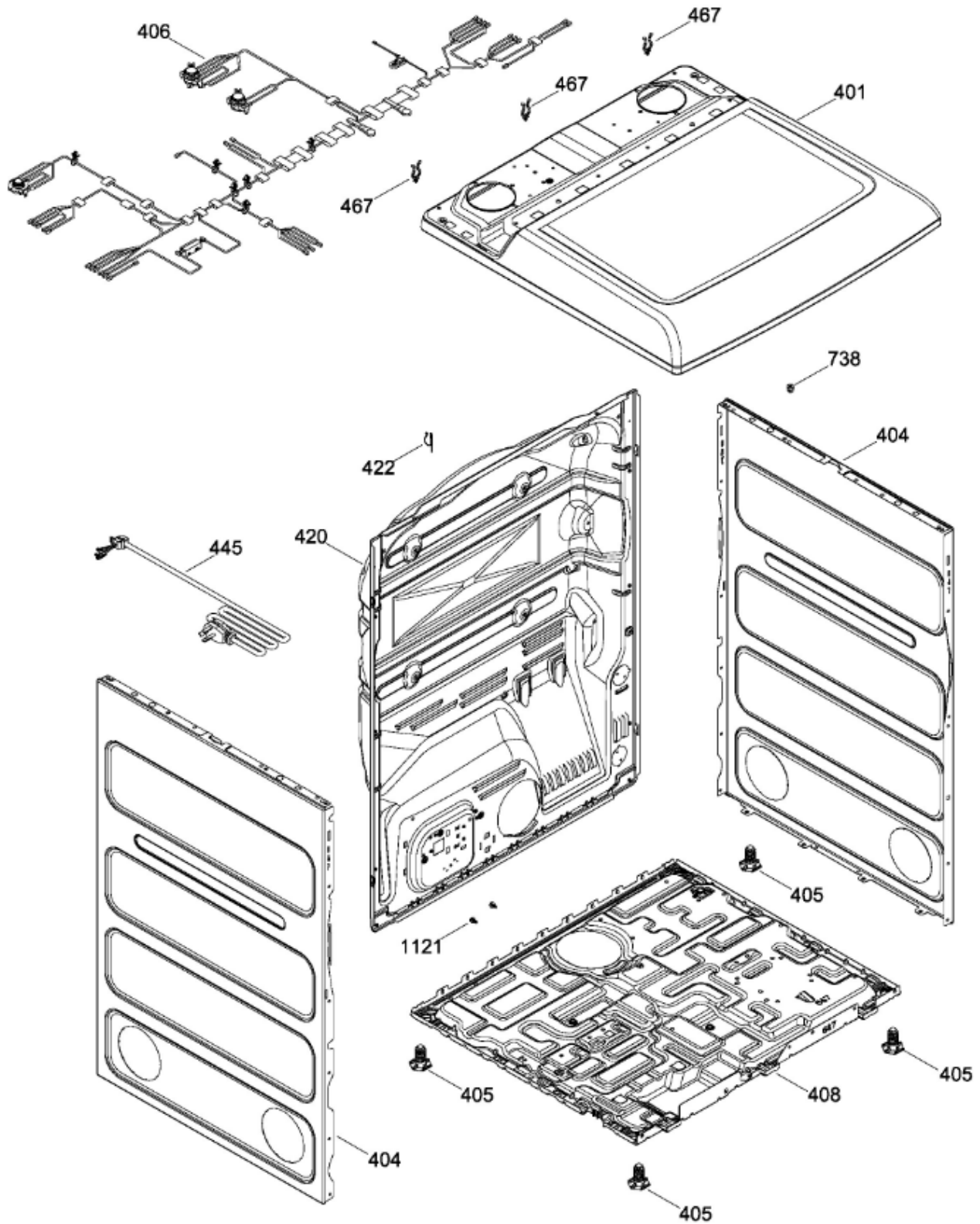
SurteRápido.com

Venta de Refacciones  
Electrodomesticas

# SECADORA GTD42EBMK0WW

GABINETE / STRUCTURE

GTD42EBMK0WW



Distribuidor Autorizado

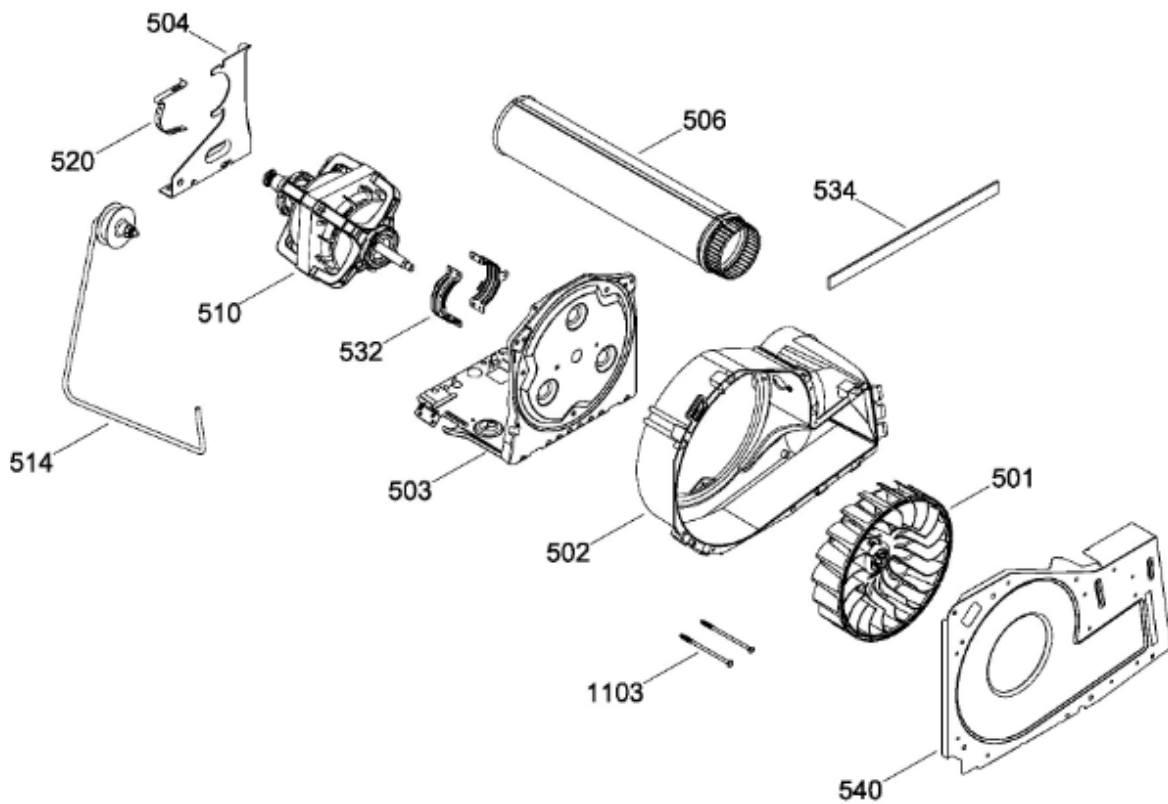
SurteRápido.com

Venta de Refacciones  
Electrodomesticas

# SECADORA GTD42EBMK0WW

SISTEMA DE TRANSMISION (ENS) / BLOWER & DRIVE (ASM)

GTD42EBMK0WW



Distribuidor Autorizado

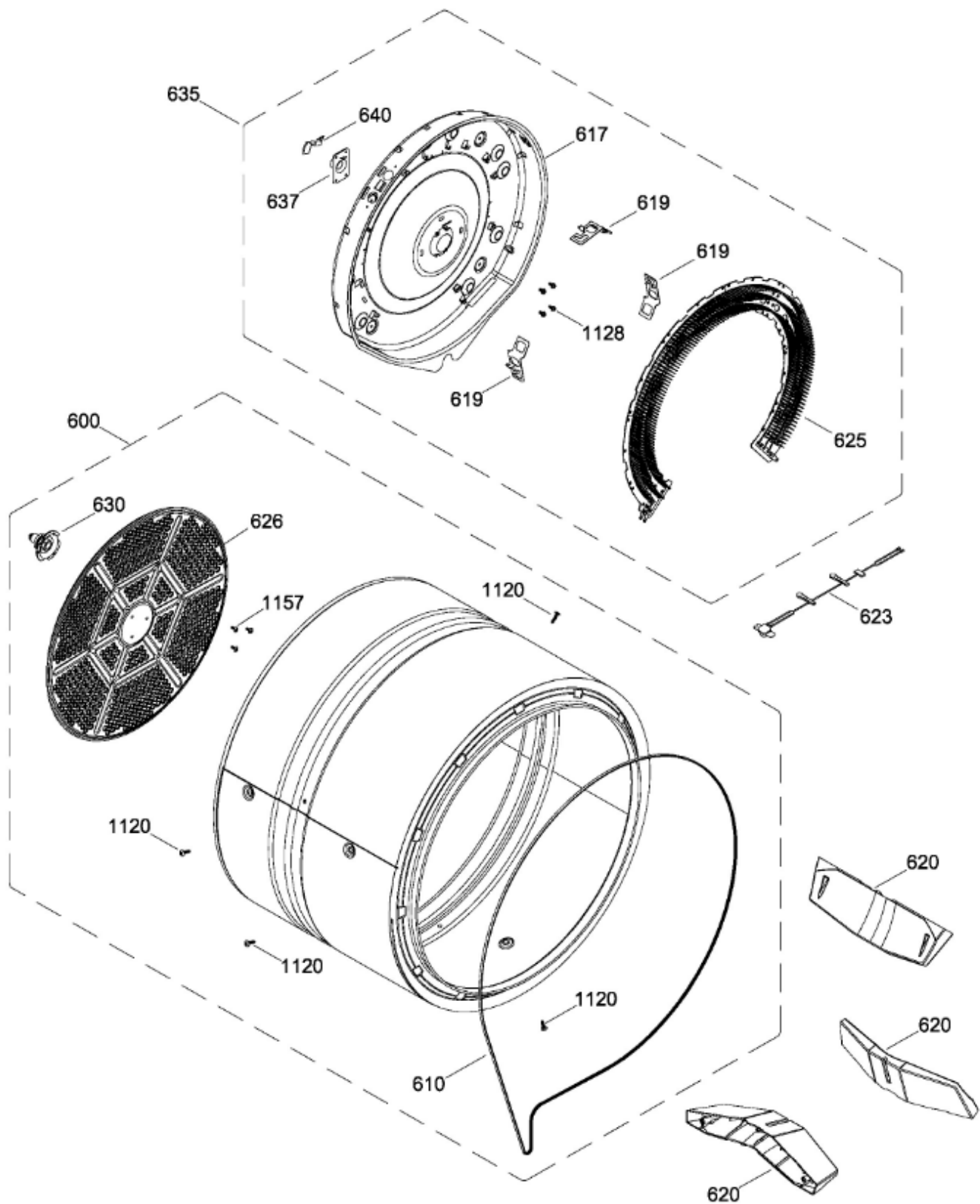
SurteRápido.com

Venta de Refacciones  
Electrodomesticas

# SECADORA GTD42EBMK0WW

TAMBOR (ENS) / DRUM (ASM)

GTD42EBMK0WW



Distribuidor Autorizado

**SurteRápido.com**

Venta de Refacciones  
Electrodomesticas

## SECADORA GTD42EBMK0WW

| Guía | Refacción  | Descripción                  |
|------|------------|------------------------------|
| 1    | WW02L00616 | ENSAMBLE COPETE DRYER        |
| 7    | WW02L00586 | PERILLA                      |
| 7    | WW02L00731 | PERILLA                      |
| 8    | WW01L01635 | PERILLA ROTATORIA            |
| 10   | WW02F00565 | RELOJ                        |
| 14   | WW02F00572 | SWITCH ROTATORIO             |
| 18   | WW02F00567 | SWITCH ROTATORIO             |
| 18   | WW02F00569 | SWITCH ROTATORIO             |
| 23   | WW02L00024 | INTERRUPTOR ARRANQUE         |
| 32   | WW02L00502 | PANEL TRASERO                |
| 33   | WW02F00574 | BOTON INICIO ENSAMBLE        |
| 46   | WW02F00573 | TIMBRE VARIABLE              |
| 65   | WW02F00618 | ARNES ENS                    |
| 68   | WW02F00621 | ARNES ENS                    |
| 100  | WW02L00560 | PANEL FRONTAL                |
| 101  | WW02F00534 | FILTRO ATRAPAPELUSA ENSAMBLE |
| 102  | WW02L00465 | INTERRUPTOR DE PUERTA        |
| 102  | WW02F00809 | INTERRUPTOR DE PUERTA        |
| 105  | WW02L00526 | ESPACIADOR PUERTA            |
| 109  | WW02A00194 | COJINETE SUPERIOR            |
| 110  | WW02F00686 | ENSAMBLE COJINETE SUPERIOR   |
| 113  | WW01L01329 | FELPA COLECTOR DE AIRE       |
| 113  | WW02F00783 | FELPA COLECTOR DE AIRE       |
| 113  | WW02F00783 | FELPA DUCTO RECOLECTOR       |
| 113  | WW02F00783 | FELPA DUCTO RECOLECTOR       |
| 113  | WW02F00783 | FELPA DUCTO RECOLECTOR       |
| 115  | WW03A00015 | COJINETE DESLIZABLE          |
| 116  | WW03A00016 | COJINETE DESLIZABLE          |
| 116  | WW02A00250 | COJINETE DESLIZABLE          |
| 119  | WW02F00131 | FIELTRO                      |
| 119  | WW02F00784 | FIELTRO                      |
| 123  | WW02A00056 | STRIKE PLATE                 |
| 124  | WW02A00057 | STRIKE PLATE                 |
| 126  | WW02L00040 | GASKET FOAM                  |
| 127  | WW03F00458 | LAMPARA                      |

Distribuidor Autorizado

**SurteRápido.com**

Venta de Refacciones  
Electrodomesticas

# SECADORA GTD42EBMK0WW

| Guía | Refacción  | Descripción                   |
|------|------------|-------------------------------|
| 128  | WW02L00527 | SELLO                         |
| 129  | WW02F00706 | ENSAMBLE CLAVIJA              |
| 135  | WW03F00307 | SEGURO                        |
| 137  | WW02F00654 | ENSAMBLE DUCTO                |
| 155  | WW02L00466 | PROTECTOR INTERRUPTOR         |
| 158  | WW02L00528 | INSERTO JALADERA              |
| 159  | WW02L00529 | INSERTO JALADERA              |
| 207  | WW02L00533 | PUERTA EXTERIOR               |
| 212  | WW02L00503 | PUERTA SOLIDA ENSAMBLE        |
| 212  | WW02L00632 | PUERTA SOLIDA ENSAMBLE        |
| 213  | WW02F00622 | LATCH                         |
| 220  | WW02L00534 | BISAGRA ASM                   |
| 236  | WW02A00065 | BOTON BELLEZA                 |
| 401  | WW02L00473 | CUBIERTA SUPERIOR AP          |
| 404  | WW02L00559 | PANEL LATERAL BLANCO          |
| 404  | WW02L00673 | PANEL LATERAL BLANCO          |
| 405  | WW02L00244 | PATA NIVELADORA               |
| 406  | WW02F00728 | ARNES ELEC ENSAMBLE           |
| 408  | WW01L01657 | BASE CHASIS                   |
| 420  | WW02L00536 | PANEL POSTERIOR               |
| 420  | WW02L00536 | PANEL POSTERIOR               |
| 422  | WW02F00022 | CORD SET RETAINER             |
| 445  | WW03F00109 | CORDON TOMACORRIENTE(240V CA) |
| 467  | WW02F00704 | HARDWARE COMPONENTS           |
| 501  | WW02F00522 | VENTILADOR 8.5"               |
| 501  | WW02F00900 | VENTILADOR 8.5"               |
| 502  | WW02F00695 | CUBIERTA VENTILADOR           |
| 503  | WW02F00523 | PLACA MOTOR                   |
| 503  | WW02F00523 | PLACA MOTOR                   |
| 504  | WW02F00027 | SOPORTE MOTOR                 |
| 506  | WW02F00536 | DUCTO DE ESCAPE               |
| 510  | WW02F00521 | ENSAMBLE MOTOR Y POLEA        |
| 510  | WW02A00226 | ENSAMBLE MOTOR Y POLEA        |
| 514  | WW03F00350 | ENSAMBLE BRAZO TENSOR         |
| 520  | WW02F00031 | CLIP MOTOR                    |

Distribuidor Autorizado

**SurteRápido.com**

Venta de Refacciones  
Electrodomesticas

## SECADORA GTD42EBMK0WW

| Guía | Refacción  | Descripción                 |
|------|------------|-----------------------------|
| 532  | WW02F00003 | CORREA MOTOR                |
| 532  | WW02A00232 | CORREA MOTOR                |
| 534  | WW02A00026 | EMPAQUE ESCAPE SOPLADOR     |
| 534  | WW02F00785 | EMPAQUE ESCAPE SOPLADOR     |
| 540  | WW02L00537 | PLATO VENTILADOR            |
| 540  | WW02L00537 | PLATO VENTILADOR            |
| 600  | WW02F00561 | TAMBOR ENSAMBLE 7.0 ALCOSTA |
| 610  | WW03F00351 | BANDA                       |
| 610  | WW02F00028 | BANDA                       |
| 610  | WW02F00854 | BANDA SECADORA              |
| 617  | WW02L00021 | CUBIERTA CALENTADOR         |
| 619  | WW01A00442 | SOPORTE DE PROTECCION       |
| 620  | WW02L00421 | ALETA                       |
| 623  | WW02F00653 | ARNES TERMOSTATO            |
| 623  | WW02F00742 | ARNES TERMOSTATO            |
| 625  | WW03F00180 | CALENTADOR ENS              |
| 626  | WW02F00827 | DIFUSOR                     |
| 630  | WW02A00019 | ENS. SOPORTE BUJE           |
| 635  | WW03F00366 | MICA HEAT & HOUSING AS      |
| 637  | WW02A00005 | RETENEDOR RODAMIENTO        |
| 640  | WW02F00833 | SOPORTE TIERRA ENS          |
| 700  | WW02A00102 | SCREW CHASSIS TO FRONT HSG. |
| 707  | WW01A00539 | TORNILLO                    |
| 738  | WW02A00214 | ARANDELA CABEZA REDONDA     |
| 1103 | WW02A00032 | TORNILLO                    |
| 1120 | WW02A00031 | TORNILLO                    |
| 1121 | WW01A00001 | TORNILLO                    |
| 1128 | WW02A00211 | TORNILLO ESTANDARIZANTE     |
| 1153 | WW02A00200 | TORNILLO                    |
| 1157 | WW01A00456 | TORNILLO #10                |