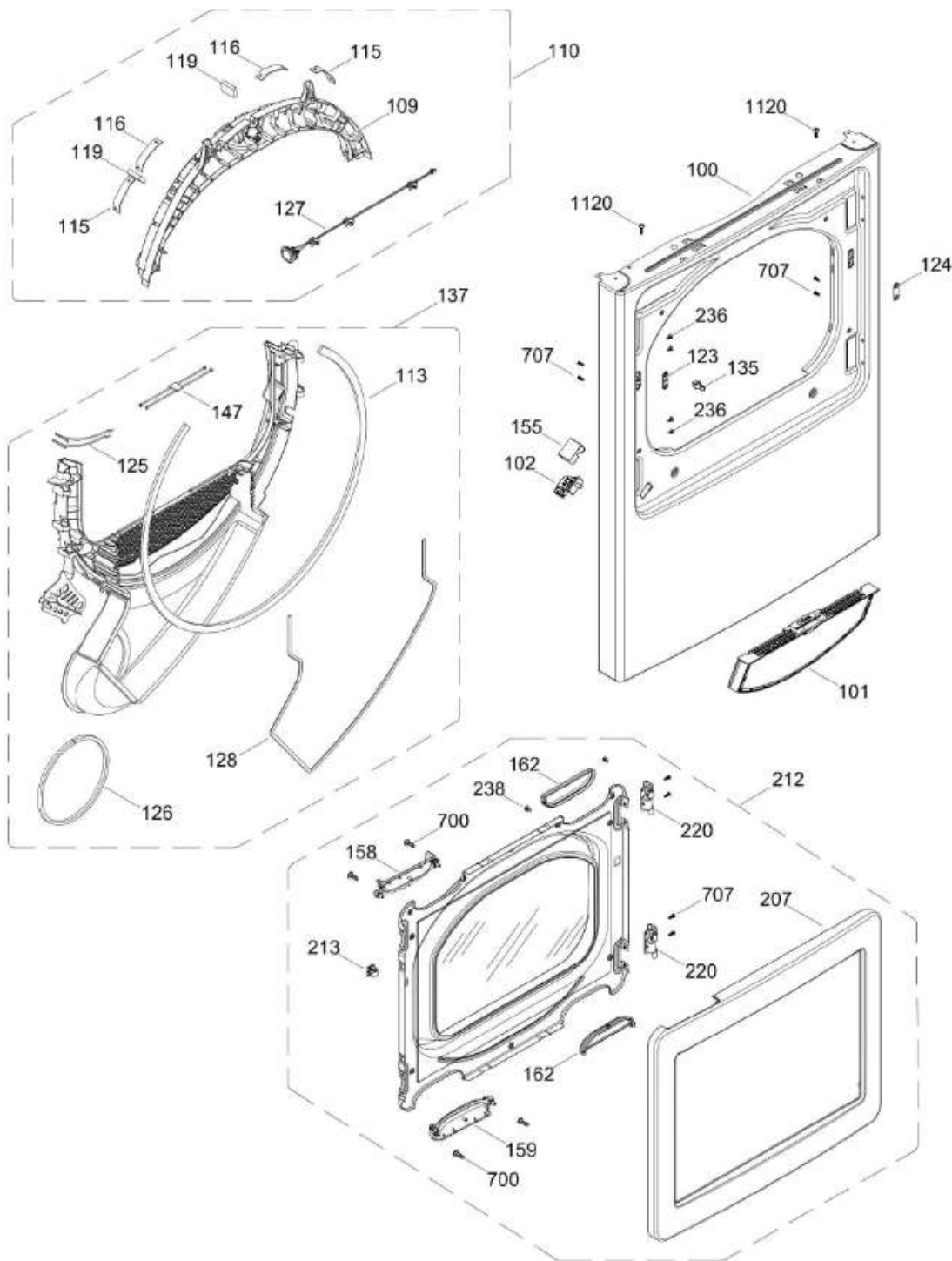


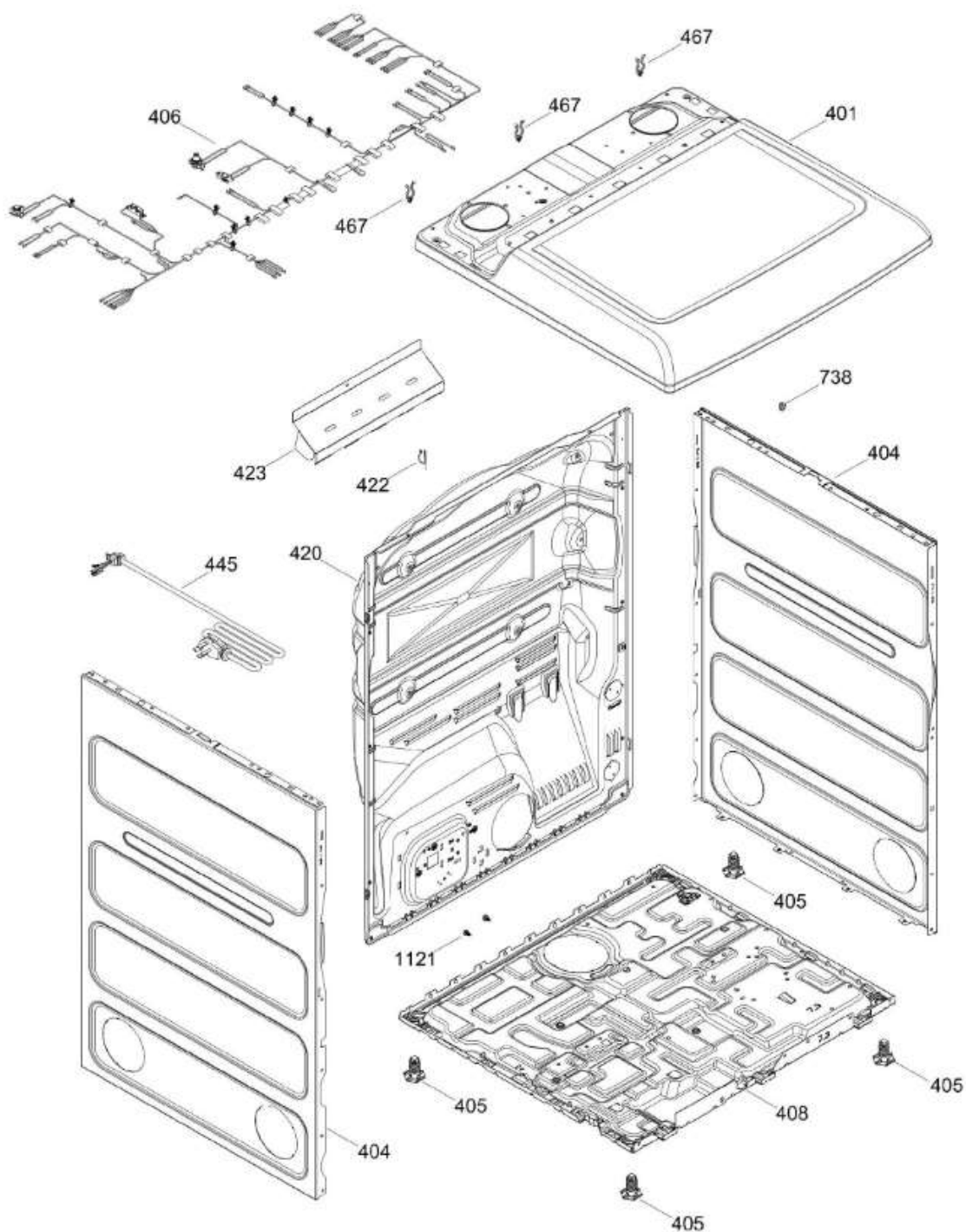
PANEL FRONTAL (ENS) / FRONT PANEL (ASM)
 PUERTA (ENS) / DOOR (ASM)

GTD65EBMK1DG



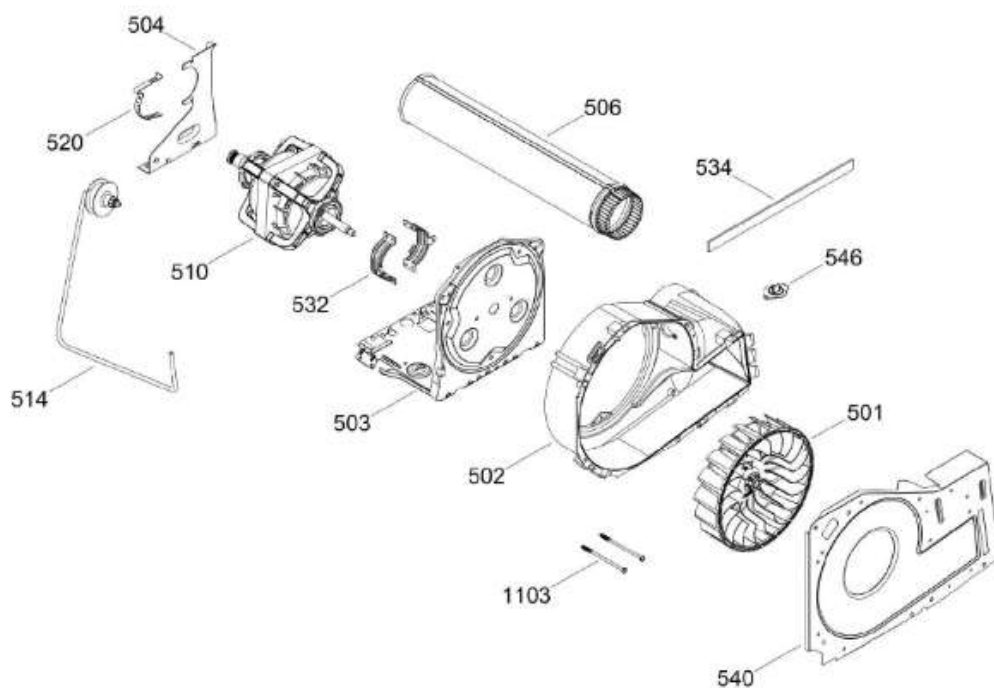
GABINETE / STRUCTURE

GTD65EBMK1DG



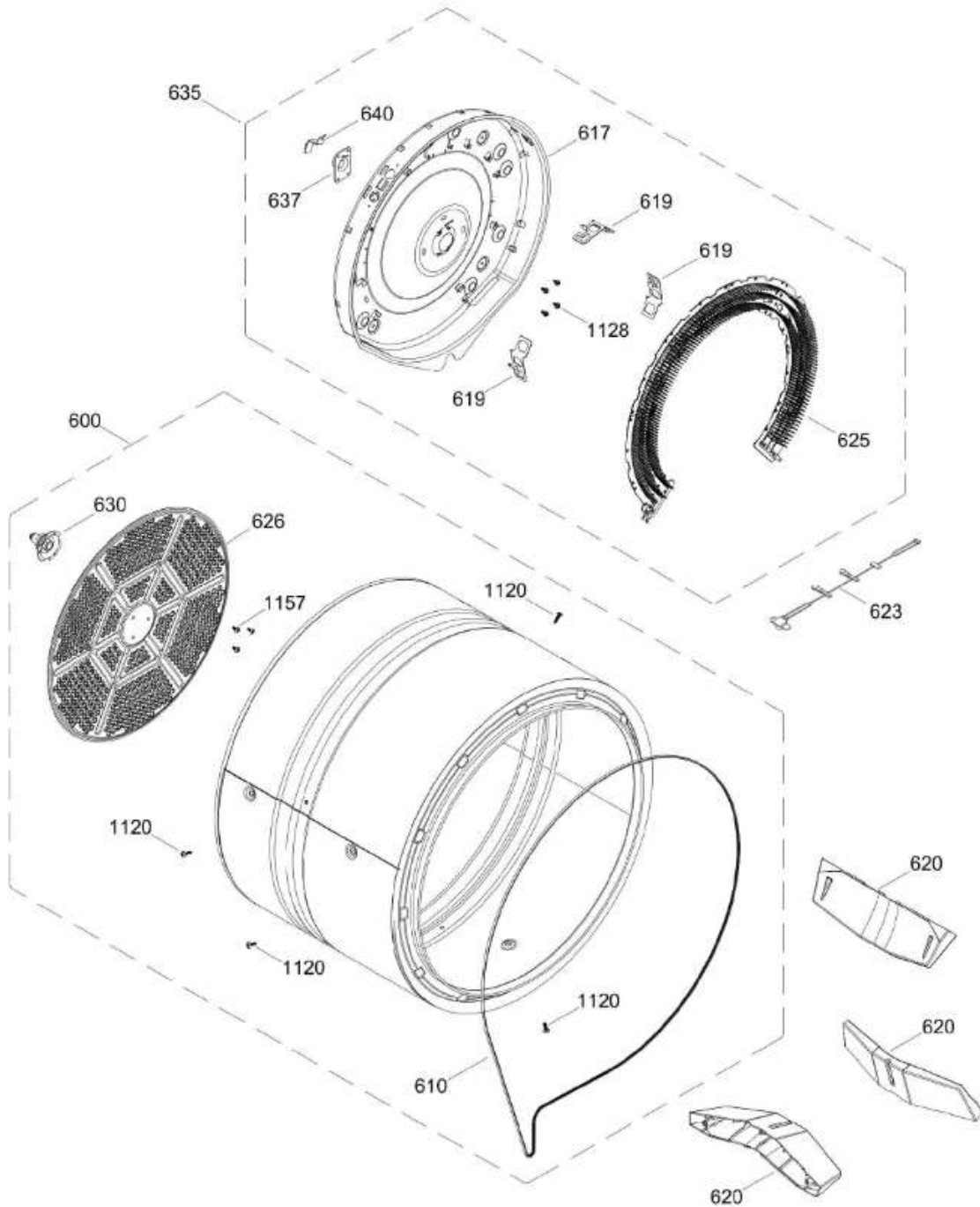
SISTEMA DE TRANSMISION (ENS) / BLOWER & DRIVE (ASM)

GTD65EBMK1DG



TAMBOR (ENS) / DRUM (ASM)

GTD65EBMK1DG



Guía	Refacción	Descripción
1	WW02L00604	COPETE
3	WW01L01672	IMD ASM
3	WW02L00686	IMD ASM
7	WW01L01654	ENSAMBLE PERILLA
31	WW02F00811	ENS CHASIS Y TARJETA
31	WW02F00855	ENS CHASIS Y TARJETA
31	WW02F00869	TARJETA
31	WW02F00883	TARJETA CONTROL
32	WW02L00502	PANEL TRASERO
100	WW02L00578	PANEL FRONTAL
101	WW02F00534	FILTRO ATRAPAPELUSA ENSAMBLE
102	WW02L00465	INTERRUPTOR DE PUERTA
102	WW02F00809	INTERRUPTOR DE PUERTA
109	WW02A00194	COJINETE SUPERIOR
110	WW02L00463	ENSAMBLE COJINETE SUPERIOR
113	WW02F00783	FELPA DUCTO RECOLECTOR
115	WW03A00015	COJINETE DESLIZABLE
116	WW03A00016	COJINETE DESLIZABLE
116	WW02A00250	COJINETE DESLIZABLE
119	WW02F00784	FELPA
123	WW02A00056	STRIKE PLATE
124	WW02A00057	STRIKE PLATE
125	WW02F00088	SENSOR ROD
126	WW02L00040	GASKET FOAM
127	WW02F00627	LED ASM
127	WW02L00676	LED ASM
128	WW02L00527	SELLO
135	WW03F00307	SEGURO
137	WW02F00669	ENSAMBLE DUCTO
147	WW02F00757	ARNES SENSOR ENSAMBLE
155	WW02L00466	PROTECTOR INTERRUPTOR
158	WW02L00538	INSERTO JALADERA
159	WW02L00539	INSERTO JALADERA
162	WW02L00540	INSERTO TAPA
207	WW02L00594	MARCO PUERTA
212	WW02L00593	ENSAMBLE PUERTA DE VIDRIO
213	WW02F00622	LATCH

Guía	Refacción	Descripción
220	WW02L00534	BISAGRA ASM
236	WW02A00066	BOTON BELLEZA
238	WW02A00082	BEAUTY BOTTON
401	WW02L00605	CUBIERTA SUPERIOR
404	WW02L00574	PANEL LATERAL
405	WW02L00244	PATA NIVELADORA
406	WW02F00734	ARNES ENSAMBLE
406	WW02F01046	ARNES ENSAMBLE
408	WW01L01655	BASE CHASIS
420	WW02L00536	PANEL POSTERIOR
422	WW02F00022	CORD SET RETAINER
423	WW02L00107	ESCUDO CALOR POST.
445	WW03F00109	CORDON TOMACORRIENTE(240V CA)
467	WW02F00704	HARDWARE COMPONENTS
501	WW02F00522	VENTILADOR 8.5"
501	WW02F00900	VENTILADOR 8.5"
502	WW02F00694	CUBIERTA VENTILADOR
503	WW02F00523	PLACA MOTOR
503	WW02F00523	PLACA MOTOR
504	WW02F00027	SOPORTE MOTOR
506	WW02F00537	DUCTO DE ESCAPE
510	WW02F00521	ENSAMBLE MOTOR Y POLEA
510	WW02A00226	ENSAMBLE MOTOR Y POLEA
514	WW03F00350	ENSAMBLE BRAZO TENSOR
520	WW02F00031	CLIP MOTOR
532	WW02F00003	CORREA MOTOR
532	WW02A00232	CORREA MOTOR
534	WW02F00785	EMPAQUE ESCAPE VENTILADOR
540	WW02L00537	PLATO VENTILADOR
546	WW02F00334	TERMISTOR DE CONTROL DE SALIDA
600	WW02F00531	ENSAMBLE TAMBOR
610	WW03F00351	BANDA
610	WW02F00028	BANDA
610	WW02F00854	BANDA SECADORA
617	WW02L00021	CUBIERTA CALENTADOR
619	WW01A00442	SOPORTE DE PROTECCION
620	WW02L00421	ALETA

Guía	Refacción	Descripción
623	WW02F00743	ARNES HIGH LIMIT
625	WW03F00180	CALENTADOR ENS
626	WW02F00827	DIFUSOR
630	WW02A00019	ENS. SOPORTE BUJE
635	WW03F00366	MICA HEAT & HOUSING AS
637	WW02A00005	RETENEDOR RODAMIENTO
640	WW02F00833	SOPORTE TIERRA ENS
700	WW02A00102	SCREW CHASSIS TO FRONT HSG.
707	WW01A00539	TORNILLO
708	WW01A00582	TORNILLO
738	WW02A00214	ARANDELA CABEZA REDONDA
1103	WW02A00032	TORNILLO
1116	WW03A00004	ARANDELA DENTADA
1120	WW02A00031	TORNILLO
1121	WW01A00001	TORNILLO
1128	WW02A00211	TORNILLO ESTANDARIZANTE
1134	WW01F01797	LENGUETA DE ATERRIZAJE
1157	WW01A00456	TORNILLO #10