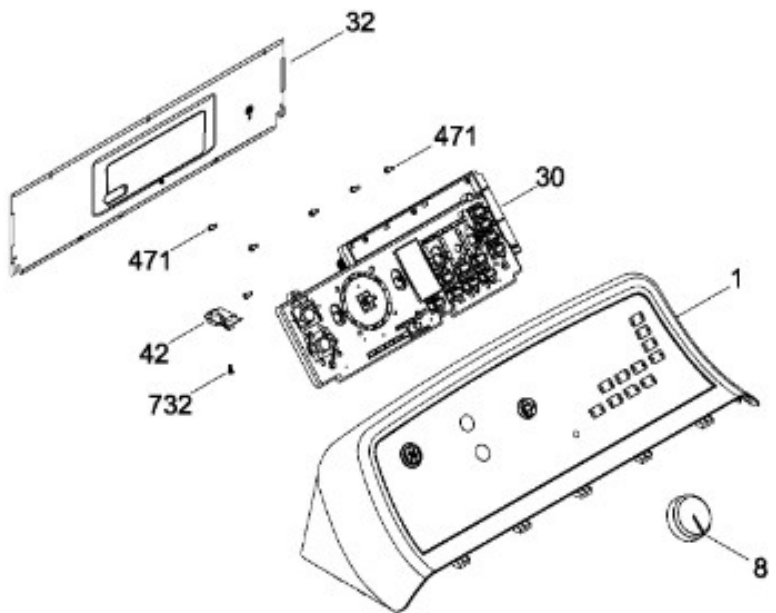




SECADORA GTD65GBMJ0WS

SISTEMA CONTROLES / CONTROL SYSTEM

GTD65GBMJ0WS



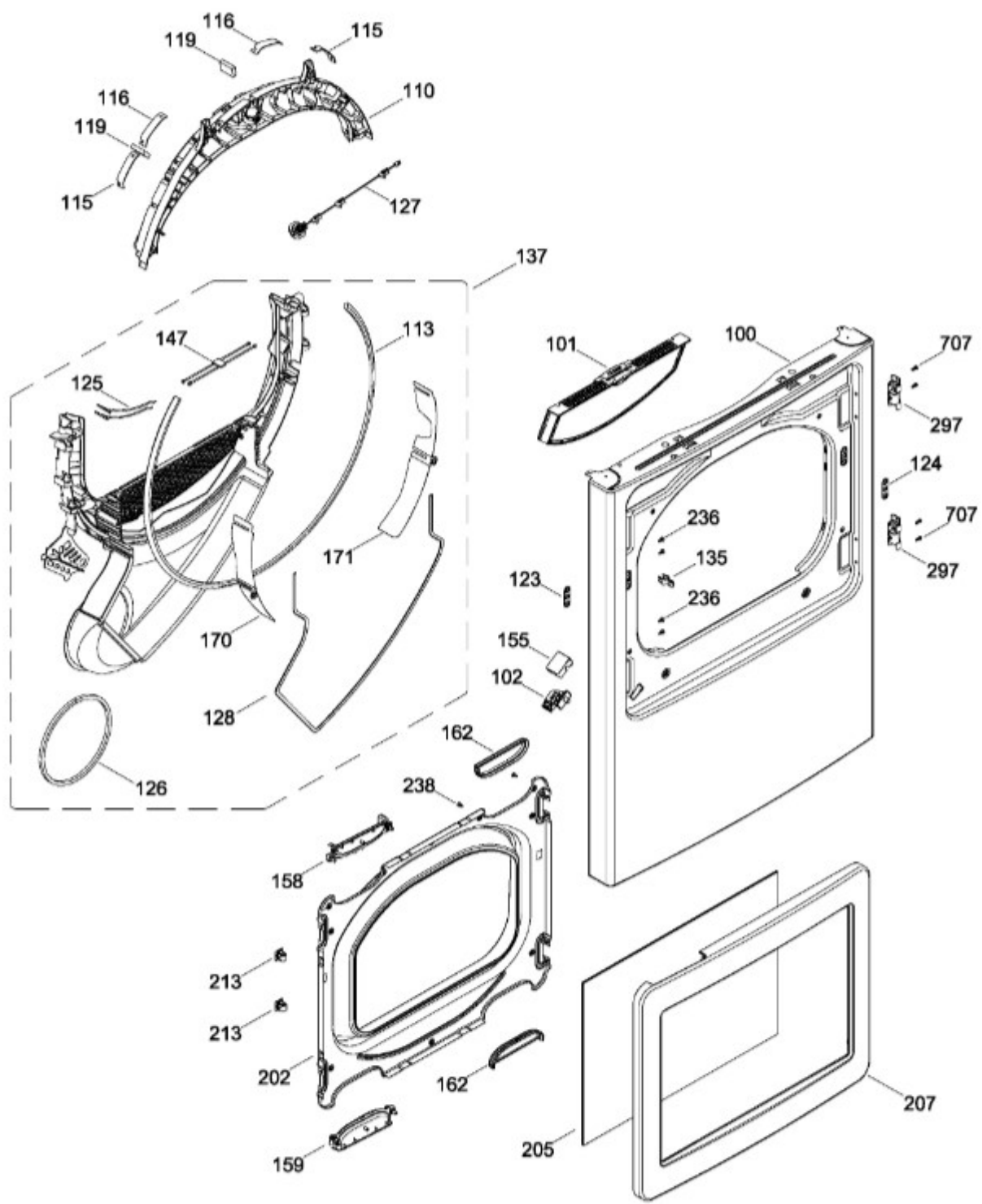
BENITO JUÁREZ #1500 GPE ZITON, CD. GUADALUPE NUEVO LEÓN TEL: 8183377999 Y 49
HORARIOS: LUNES A VIERNES 8:30 A 6:00 PM Y SÁBADOS DE 8:30 A 2:00 PM
WEB: www.denek.com



SECADORA GTD65GBMJ0WS

PANEL FRONTAL (ENS) / FRONT PANEL (ASM)
PUERTA (ENS) / DOOR (ASM)

GTD65GBMJ0WS



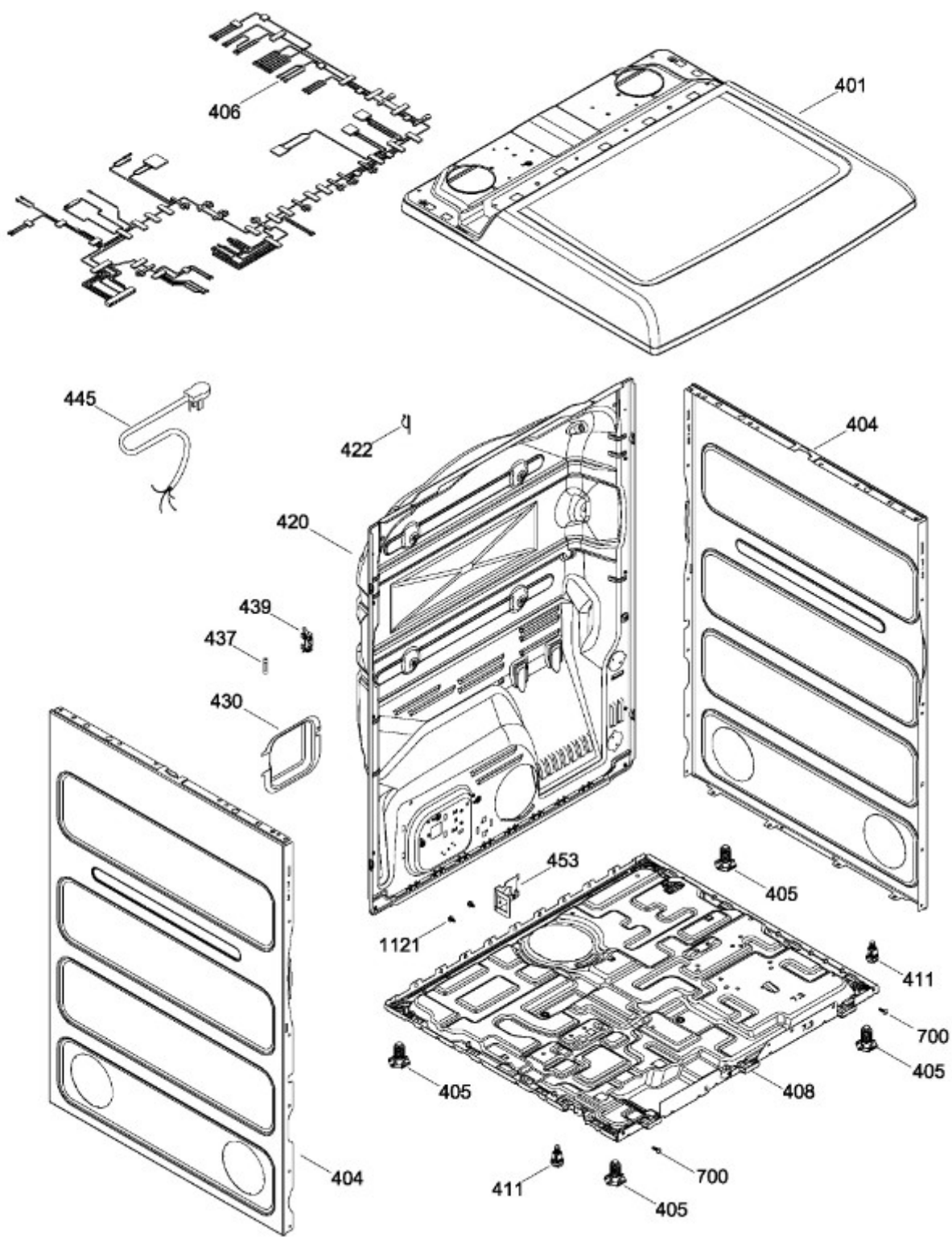
BENITO JUÁREZ #1500 GPE ZITON, CD. GUADALUPE NUEVO LEÓN TEL: 8183377999 Y 49
HORARIOS: LUNES A VIERNES 8:30 A 6:00 PM Y SÁBADOS DE 8:30 A 2:00 PM
WEB: www.denek.com



SECADORA GTD65GBMJ0WS

GABINETE / STRUCTURE

GTD65GBMJ0WS



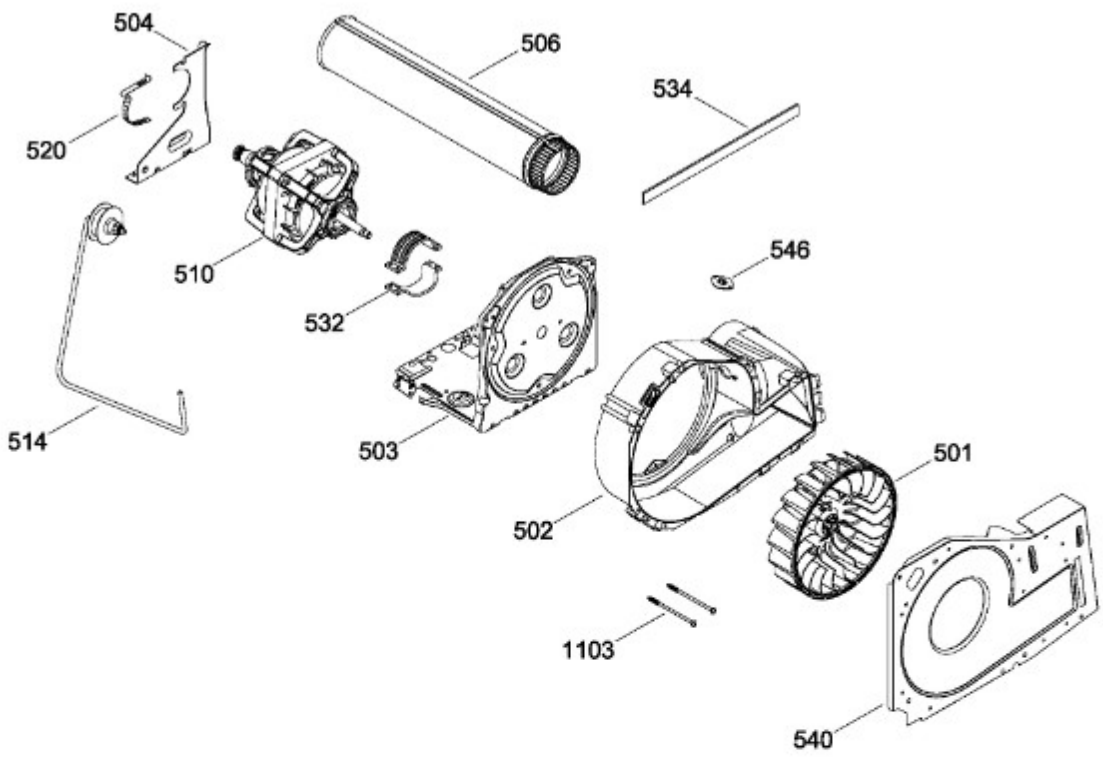
BENITO JUÁREZ #1500 GPE ZITON, CD. GUADALUPE NUEVO LEÓN TEL: 8183377999 Y 49
HORARIOS: LUNES A VIERNES 8:30 A 6:00 PM Y SÁBADOS DE 8:30 A 2:00 PM
WEB: www.denek.com



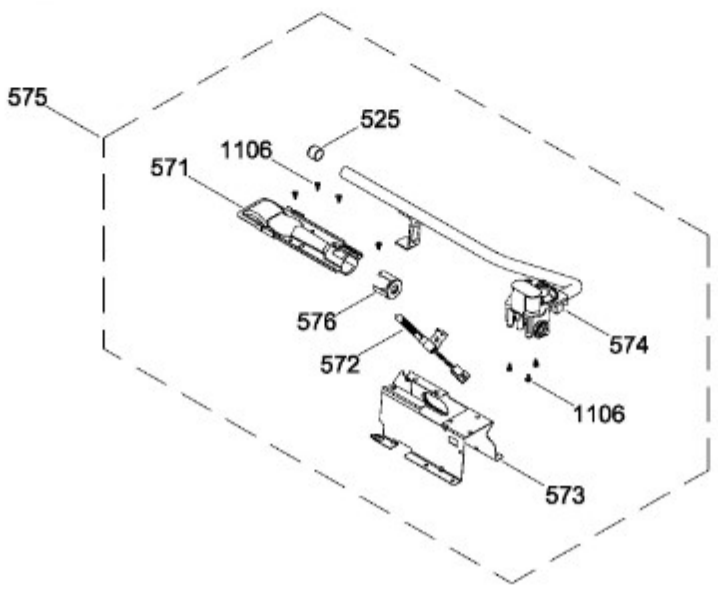
SECADORA GTD65GBMJ0WS

SISTEMA DE TRANSMISION (ENS) / BLOWER & DRIVE (ASM)

GTD65GBMJ0WS



QUEMADOR / BURNER



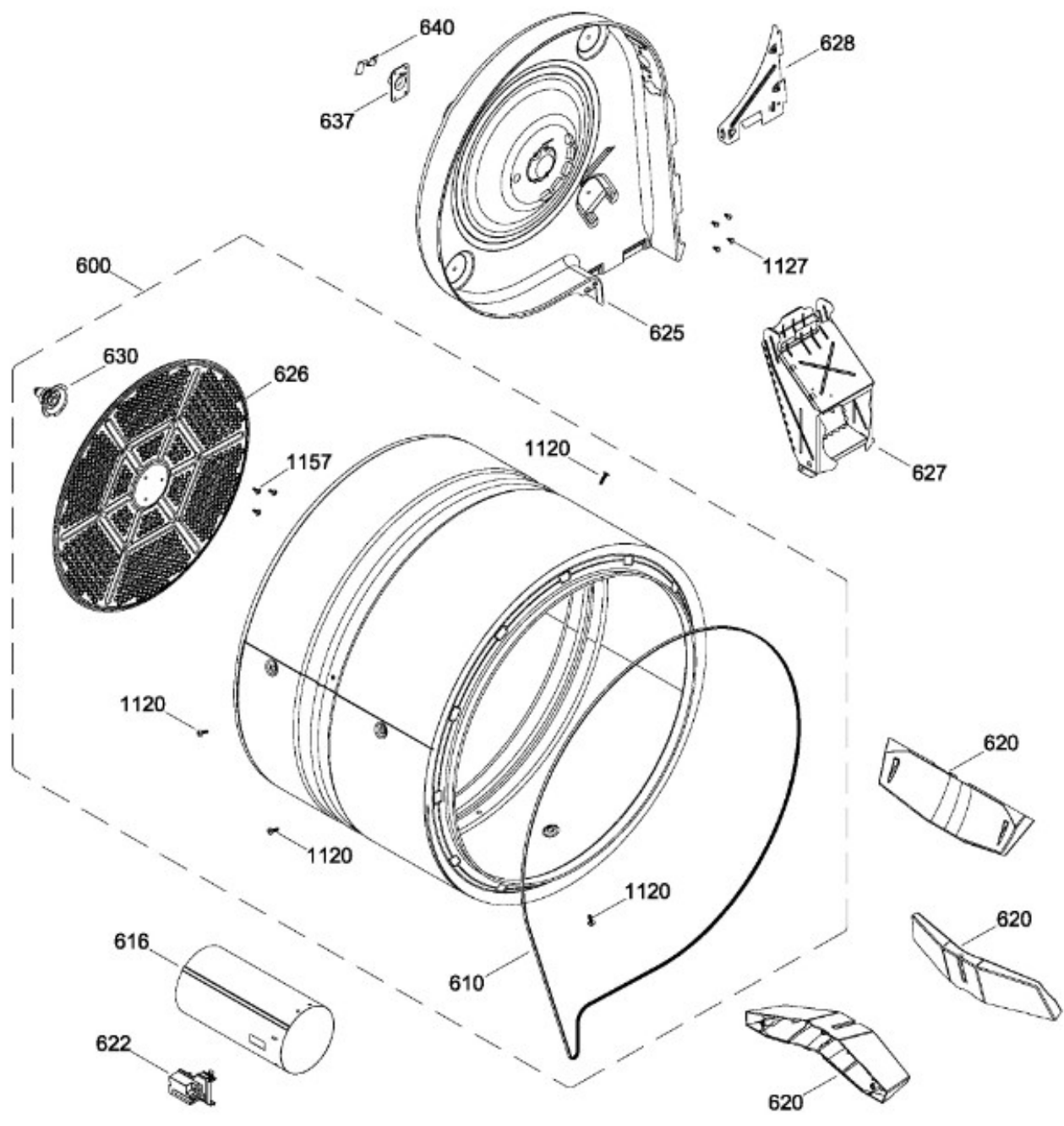
BENITO JUÁREZ #1500 GPE ZITON, CD. GUADALUPE NUEVO LEÓN TEL: 8183377999 Y 49
HORARIOS: LUNES A VIERNES 8:30 A 6:00 PM Y SÁBADOS DE 8:30 A 2:00 PM
WEB: www.denek.com



SECADORA GTD65GBMJ0WS

TAMBOR (ENS) / DRUM (ASM)

GTD65GBMJ0WS



BENITO JUÁREZ #1500 GPE ZITON, CD. GUADALUPE NUEVO LEÓN TEL: 8183377999 Y 49
HORARIOS: LUNES A VIERNES 8:30 A 6:00 PM Y SÁBADOS DE 8:30 A 2:00 PM
WEB: www.denek.com

| Guía | Refacción | Descripción |
|------|------------|------------------------------|
| 1 | WW02L00506 | IMD Y COPETE ENSAMBLE |
| 8 | WW02L00470 | PERILLA |
| 30 | WW02L00471 | TARJETA Y CHASIS ENSAMBLE |
| 30 | WW01L01658 | TARJETA Y CHASIS ENSAMBLE |
| 30 | WW02F00795 | TARJETA Y SOPORTE ENSAMBLE |
| 30 | WW02F00811 | ENSAMBLE CHASIS Y TARJETA |
| 30 | WW02F00855 | ENS CHASIS Y TARJETA |
| 30 | WW02F00869 | TARJETA |
| 30 | WW02F00883 | TARJETA CONTROL |
| 32 | WW02L00502 | PANEL TRASERO |
| 42 | WW02F00626 | BOTON PLASTICO |
| 100 | WW02L00462 | PANEL FRONTAL |
| 100 | WW02L00560 | PANEL FRONTAL |
| 101 | WW02F00534 | FILTRO ATRAPAPELUSA ENSAMBLE |
| 102 | WW02L00465 | INTERRUPTOR DE PUERTA |
| 102 | WW02F00809 | INTERRUPTOR DE PUERTA |
| 110 | WW02A00194 | COJINETE SUPERIOR |
| 113 | WW01L01329 | FELPA COLECTOR DE AIRE |
| 113 | WW02F00783 | FELPA COLECTOR DE AIRE |
| 113 | WW02F00783 | FELPA DUCTO RECOLECTOR |
| 113 | WW02F00783 | FELPA DUCTO RECOLECTOR |
| 115 | WW03A00015 | COJINETE DESLIZABLE |
| 116 | WW03A00016 | COJINETE DESLIZABLE |
| 116 | WW02A00250 | COJINETE DESLIZABLE |
| 119 | WW02F00131 | FIELTRO |
| 119 | WW02F00784 | FIELTRO |
| 123 | WW02A00056 | STRIKE PLATE |
| 124 | WW02A00057 | STRIKE PLATE |
| 125 | WW02F00088 | SENSOR ROD |
| 126 | WW02L00040 | GASKET FOAM |
| 127 | WW02F00627 | LED ASM |
| 127 | WW02L00676 | LED ASM |
| 128 | WW02L00527 | SELLO |
| 135 | WW03F00307 | SEGURO |
| 137 | WW02F00532 | DUCTO RECOLECTOR ENSAMBLE |

| Guía | Refacción | Descripción |
|------|------------|----------------------------|
| 147 | WW02F00533 | ARNES SENSOR ENSAMBLE |
| 147 | WW02F00757 | ARNES SENSOR ENSAMBLE |
| 155 | WW02L00466 | PROTECTOR INTERRUPTOR |
| 158 | WW02L00538 | INSERTO JALADERA |
| 158 | WW02L00538 | INSERTO JALADERA |
| 159 | WW02L00539 | INSERTO JALADERA |
| 159 | WW02L00539 | INSERTO JALADERA |
| 162 | WW02F00741 | INSERTO TAPA |
| 170 | WW02L00530 | PROTECTOR DUCTO RECOLECTOR |
| 171 | WW02L00531 | PROTECTOR DUCTO RECOLECTOR |
| 202 | WW02L00541 | PUERTA INTERIOR ENSAMBLE |
| 205 | WW02L00542 | VIDRIO TEMPLADO |
| 207 | WW02L00543 | MARCO PUERTA |
| 207 | WW02L00543 | MARCO PUERTA |
| 213 | WW02F00622 | LATCH |
| 236 | WW02A00065 | BOTON BELLEZA |
| 238 | WW02L00544 | BOTON PLASTICO |
| 297 | WW02L00534 | BISAGRA ASM |
| 401 | WW02L00473 | CUBIERTA SUPERIOR AP |
| 404 | WW02L00461 | PANEL LATERAL |
| 405 | WW02L00244 | PATA NIVELADORA |
| 406 | WW02F00528 | ARNES ENSAMBLE GAS |
| 408 | WW02L00545 | BASE CHASIS |
| 408 | WW01L01655 | BASE CHASIS |
| 408 | WW01L01655 | BASE CHASIS |
| 411 | WW02L00142 | PATA ESTABILIZADORA ENS. |
| 420 | WW02L00536 | PANEL POSTERIOR |
| 420 | WW02L00536 | PANEL POSTERIOR |
| 422 | WW02F00022 | CORD SET RETAINER |
| 430 | WW02L00211 | CUBIERTA TERMINAL FUSIBLE |
| 437 | WW03F00460 | FUSIBLE |
| 439 | WW03F00459 | PORTAFUSIBLE |
| 445 | WW02F00091 | CABLE TOMACORRIENTE |
| 453 | WW01A00535 | SOPORTE ANTI TENSION |
| 471 | WW01A00582 | TORNILLO |

| Guía | Refacción | Descripción |
|------|------------|---------------------------------------|
| 501 | WW02F00522 | VENTILADOR 8.5" |
| 501 | WW02F00900 | VENTILADOR 8.5" |
| 502 | WW02F00524 | CUBIERTA VENTILADOR ENSAMBLE |
| 503 | WW02F00523 | PLACA MOTOR |
| 503 | WW02F00523 | PLACA MOTOR |
| 504 | WW02F00027 | SOPORTE MOTOR |
| 506 | WW02F00537 | DUCTO DE ESCAPE |
| 510 | WW02F00521 | ENSAMBLE MOTOR Y POLEA |
| 510 | WW02A00226 | ENSAMBLE MOTOR Y POLEA |
| 514 | WW03F00350 | ENSAMBLE BRAZO TENSOR |
| 520 | WW02F00031 | CLIP MOTOR |
| 525 | WW02A00003 | TAPA |
| 532 | WW02F00003 | CORREA MOTOR |
| 532 | WW02A00232 | CORREA MOTOR |
| 534 | WW02A00026 | EMPAQUE ESCAPE SOPLADOR |
| 534 | WW02F00785 | EMPAQUE ESCAPE SOPLADOR |
| 540 | WW02L00537 | PLATO VENTILADOR |
| 540 | WW02L00537 | PLATO VENTILADOR |
| 546 | WW02F00334 | TERMISTOR DE CONTROL DE SALIDA |
| 571 | WW02F00579 | QUEMADOR ENSAMBLE |
| 572 | WW02F00002 | ALLUME-GAZ |
| 572 | WW02F00740 | ALLUME-GAZ |
| 573 | WW03A00125 | SOPORTE VALVULA DE GAS |
| 574 | WW02F00542 | ENSAMBLE VALVULA Y TUBERIA DE PROPANO |
| 575 | WW02F00575 | ENSAMBLE VALVULA Y QUEMADOR |
| 575 | WW02F00826 | ENSAMBLE VALVULA Y QUEMADOR |
| 576 | WW03F00099 | CONTRA VENTANA |
| 600 | WW02F00531 | ENSAMBLE TAMBOR |
| 610 | WW03F00351 | BANDA |
| 610 | WW02F00028 | BANDA |
| 610 | WW02F00854 | BANDA SECADORA |
| 616 | WW03F00138 | CAMARA DE COMBUSTION |
| 616 | WW02F00825 | CAMARA DE COMBUSTION |
| 620 | WW02L00421 | ALETA |
| 622 | WW02F00001 | DETECTOR TERMOSTATO |

| Guía | Refacción | Descripción |
|------|------------|-----------------------------|
| 625 | WW03F00095 | DIFUSOR DE GAS |
| 626 | WW02F00221 | DIFUSOR |
| 626 | WW02F00827 | DIFUSOR |
| 627 | WW02F00127 | DUCTO TRANSICION |
| 627 | WW02F00127 | DUCTO TRANSICION |
| 627 | WW03F00539 | DUCTO TRANSICION |
| 628 | WW03F00097 | PLACA DIFUSOR |
| 630 | WW02A00019 | SOPORTEYFLECHAENSAMBLE |
| 637 | WW02A00005 | RETENEDOR RODAMIENTO |
| 640 | WW01A00443 | GROUND STRAP ASSEMBLY |
| 640 | WW02F00833 | GROUND STRAP ASSEMBLY |
| 700 | WW02A00102 | SCREW CHASSIS TO FRONT HSG. |
| 707 | WW01A00539 | TORNILLO |
| 732 | WW03A00092 | TORNILLO 6-16 B B1Q1 3/4 |
| 1103 | WW02A00032 | TORNILLO |
| 1106 | WW02A00027 | SCREW |
| 1120 | WW02A00031 | TORNILLO |
| 1121 | WW01A00001 | TORNILLO |
| 1127 | WW03A00195 | TORNILLO |
| 1127 | WW02A00211 | TORNILLO |
| 1157 | WW01A00456 | TORNILLO #10 |