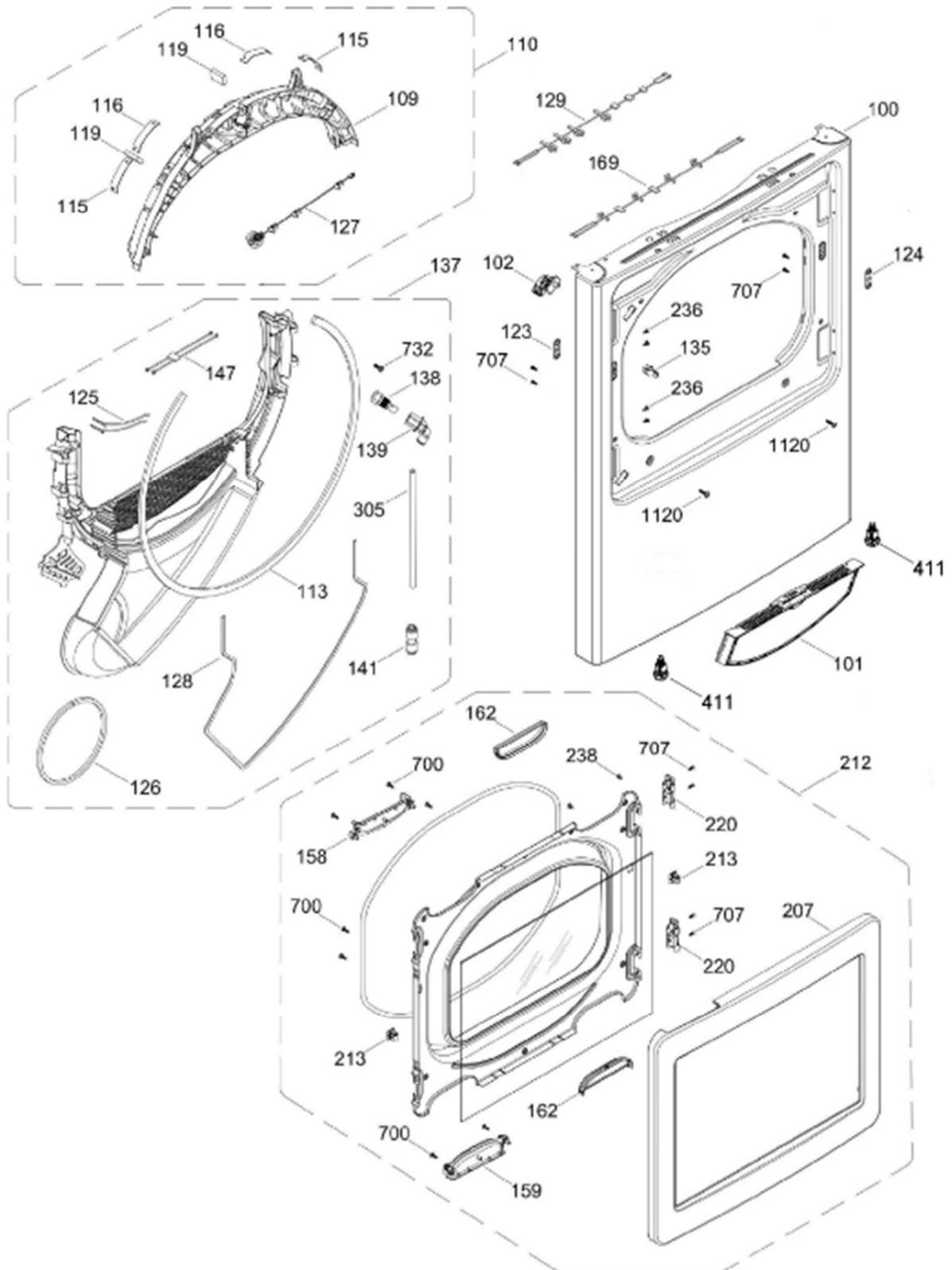


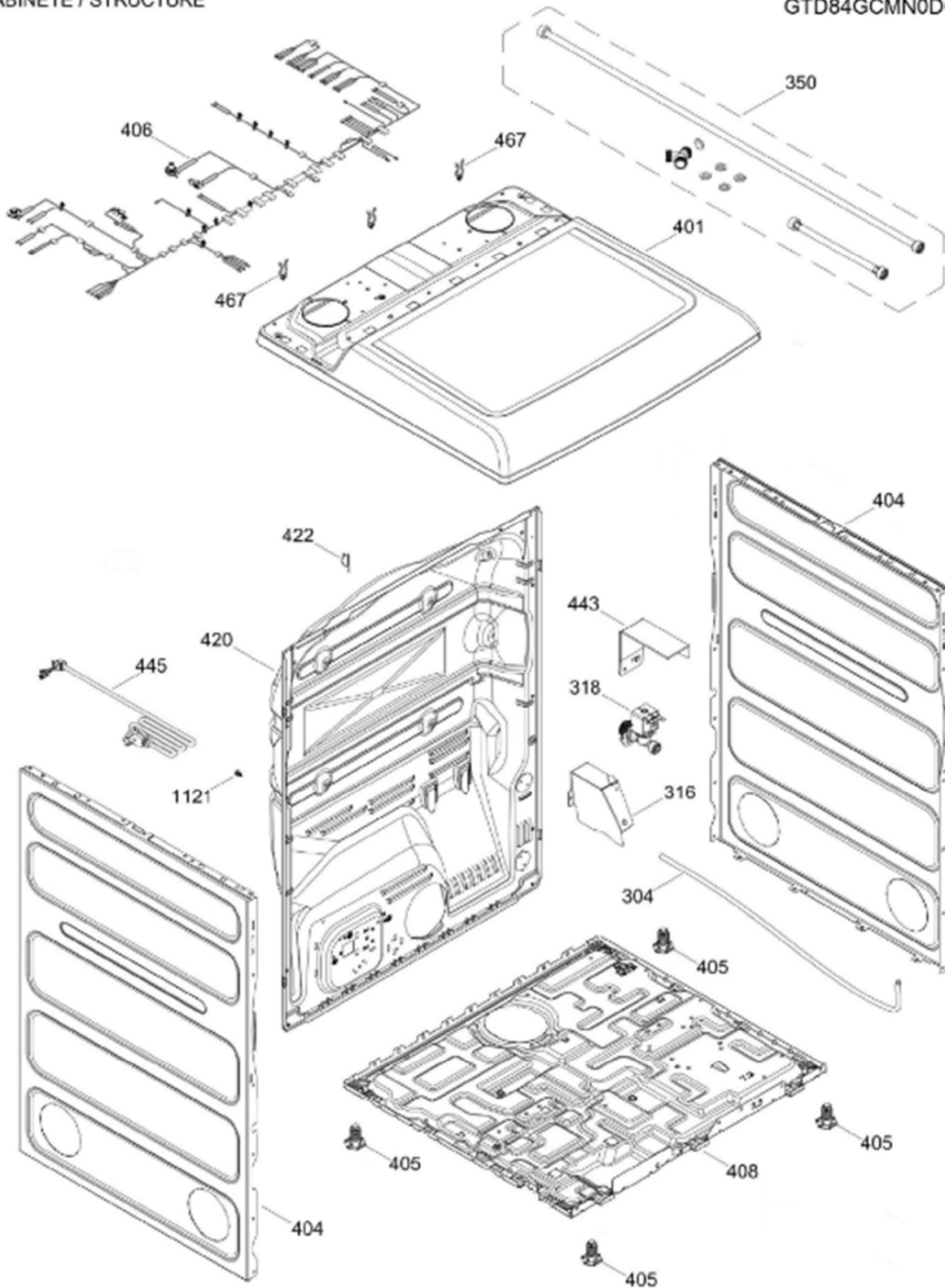
PANEL FRONTAL (ENS) / FRONT PANEL (ASM)
 PUERTA (ENS) / DOOR (ASM)

GTD84GCMN0DG



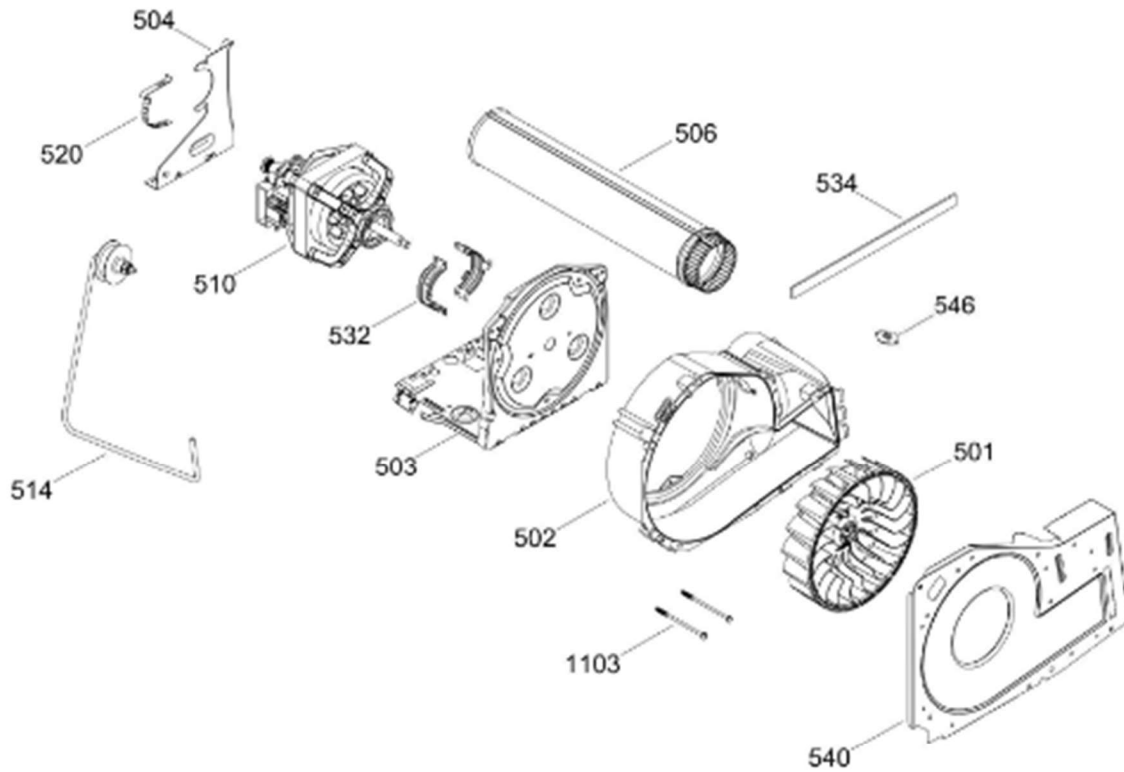
GABINETE / STRUCTURE

GTD84GCMN0DG

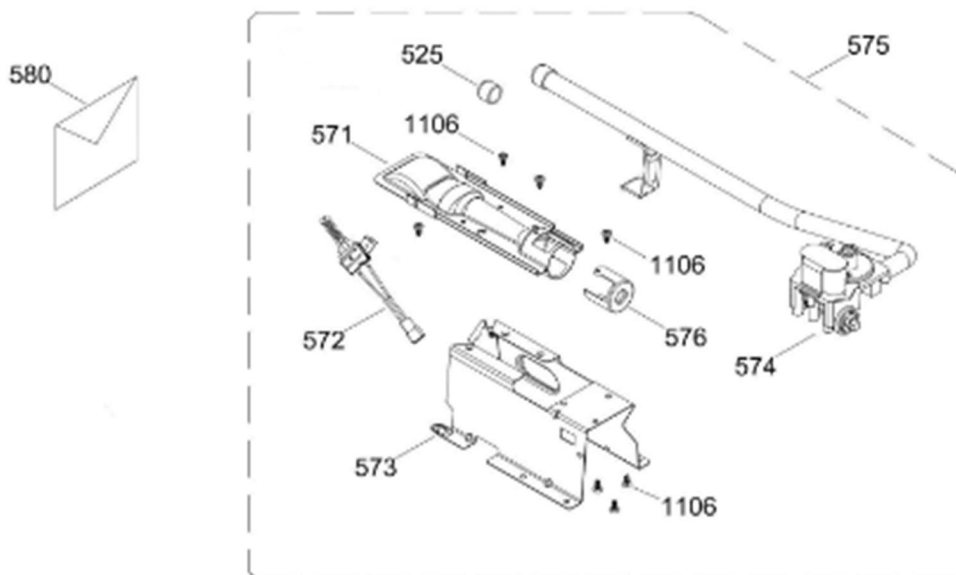


SISTEMA DE TRANSMISION (ENS) / BLOWER & DRIVE (ASM)

GTD84GCMN0DG

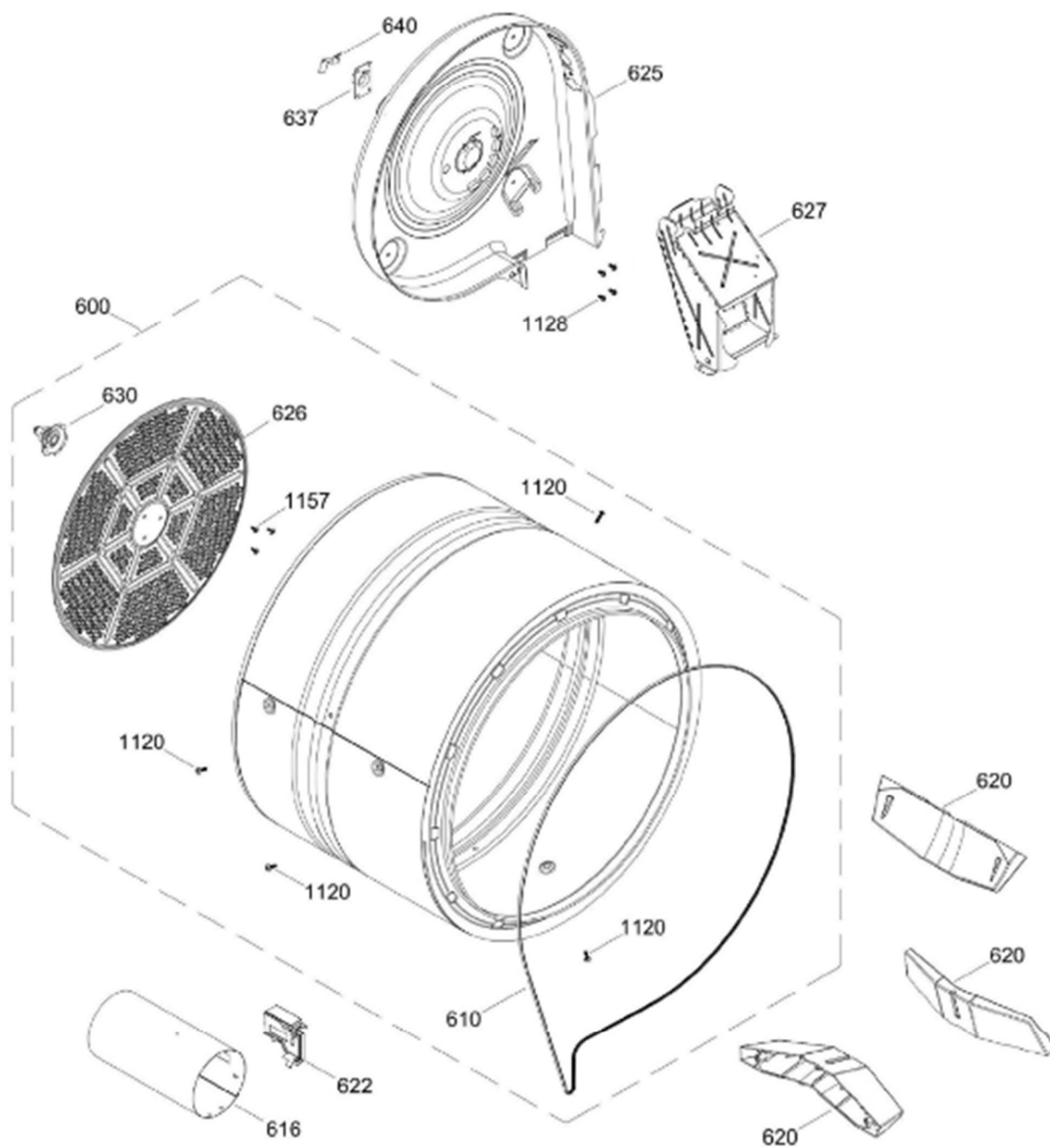


QUEMADOR / BURNER



TAMBOR (ENS) / DRUM (ASM)

GTD84GCMN0DG



Guía	Refacción	Descripción
1	WW02L00668	ETIQUETA Y COPETE ENS
8	WW02L00663	PERILLA ENSAMBLE
29	WW02F00848	HARNES CAP TOUCH
31	WW02F00859	ENSAMBLE CHASIS Y TARJETA
31	WW02F00876	ENSAMBLE CHASIS Y TARJETA
32	WW02L00502	PANEL TRASERO
100	WW02L00672	PANEL FRONTAL
101	WW02F00534	FILTRO ATRAPAPELUSA ENSAMBLE
102	WW02F00809	INTERRUPTOR DE PUERTA
109	WW02A00194	COJINETE SUPERIOR
110	WW02L00463	ENSAMBLE COJINETE SUPERIOR
113	WW02F00783	FELPA DUCTO RECOLECTOR
115	WW03A00015	COJINETE DESLIZABLE
116	WW03A00016	COJINETE DESLIZABLE
116	WW02A00250	COJINETE DESLIZABLE
119	WW02F00784	FELPA
123	WW02A00056	STRIKE PLATE
124	WW02A00057	STRIKE PLATE
125	WW02F00088	SENSOR ROD
126	WW02L00040	GASKET FOAM
127	WW02L00676	ENS LED
128	WW02L00527	SELLO
129	WW02F00535	ARNES LED ENSAMBLE
135	WW03F00307	SEGURO
137	WW02F00839	TRAP DUCT ASM
138	WW02A00092	BOQUILLA
139	WW02F00121	CODO
141	WW01F01458	CONECTOR DE SERVICIO
147	WW02F00757	ARNES SENSOR ENSAMBLE
158	WW02L00538	INSERTO JALADERA
159	WW02L00539	INSERTO JALADERA
162	WW02L00540	INSERTO TAPA
169	WW02F00853	ARNES JUMPER
207	WW02L00543	MARCO PUERTA
207	WW02L00543	MARCO PUERTA
212	WW02L00635	PUERTA VIDRIO ENS
213	WW02F00622	LATCH

Guía	Refacción	Descripción
220	WW02L00534	BISAGRA ASM
236	WW02A00066	BOTON BELLEZA
238	WW02A00082	BEAUTY BOTTON
304	WW02F00849	TUBO DE PLASTICO
305	WW02F00758	TUBO DE PLASTICO
316	WW03L00202	PROTECTOR VALVULA DE AGUA
318	WW02F00182	VALVULA DE AGUA
350	WW02A00088	KIT MANGUERAS EXTERNAS
401	WW02L00605	CUBIERTA SUPERIOR
404	WW02L00665	PANEL LATERAL
405	WW02L00244	PATA NIVELADORA
406	WW02F00846	ARNÉS ENSAMBLE GAS
408	WW01L01655	BASE CHASIS
411	WW02L00142	PATA ESTABILIZADORA ENS.
420	WW02L00666	PANEL TRASERO
422	WW02F00022	CORD SET RETAINER
443	WW03L00111	CUBIERTA VALVULA DE GAS
445	WW02F00091	CABLE TOMACORRIENTE
467	WW02F00704	HARDWARE COMPONENTS
501	WW02F00522	VENTILADOR 8.5"
501	WW02F00900	VENTILADOR 8.5"
502	WW02F00694	CUBIERTA VENTILADOR
503	WW02F00523	PLACA MOTOR
503	WW02F00523	PLACA MOTOR
504	WW02F00027	SOPORTE MOTOR
506	WW02F00537	DUCTO DE ESCAPE
510	WW02A00226	ENSAMBLE MOTOR Y POLEA
514	WW03F00350	ENSAMBLE BRAZO TENSOR
520	WW02F00031	CLIP MOTOR
525	WW02A00003	TAPA
532	WW02A00232	STRAP MOTOR
534	WW02F00785	EMPAQUE ESCAPE VENTILADOR
540	WW02A00231	PLATO VENTILADOR
540	WW02A00231	PLATO VENTILADOR
546	WW02F00334	TERMISTOR DE CONTROL DE SALIDA
571	WW02F00579	QUEMADOR ENSAMBLE
572	WW01F01432	IGNITOR

Guía	Refacción	Descripción
573	WW03A00125	SOPORTE VALVULA DE GAS
574	WW03F00453	VALVULA Y TUBO PARA GAS ENS
575	WW02F00826	VALVULA Y QUEMADOR ENSAMBLE
576	WW03F00099	CONTRA VENTANA
580	WW01F01529	VALVULA Y TUBO PARA GAS LP
600	WW02F00531	ENSAMBLE TAMBOR
610	WW02F00847	BANDA
616	WW02F00825	CAMARA DE COMBUSTION
620	WW02L00421	ALETA
622	WW02F00001	DETECTOR TERMOSTATO
625	WW02F00824	DIFUSOR DE GAS
626	WW02F00827	DIFUSOR
627	WW02F00843	ENS DUCTO TRANSICION
630	WW02A00019	ENS. SOPORTE BUJE
637	WW02A00005	RETENEDOR RODAMIENTO
640	WW02F00833	SOPORTE TIERRA ENS
700	WW02A00102	SCREW CHASSIS TO FRONT HSG.
707	WW01A00539	TORNILLO
708	WW01A00582	TORNILLO
732	WW03A00092	TORNILLO 6-16 B B1Q1 3/4
1103	WW02A00032	TORNILLO
1106	WW02A00027	SCREW
1116	WW03A00004	ARANDELA DENTADA
1120	WW02A00031	TORNILLO
1121	WW01A00001	TORNILLO
1128	WW02A00211	TORNILLO ESTANDARIZANTE
1134	WW01F01797	LENGUETA DE ATERRIZAJE
1157	WW01A00456	TORNILLO #10