

Distribuidor Autorizado

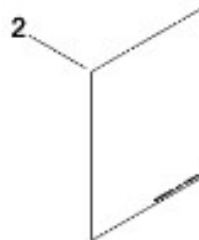
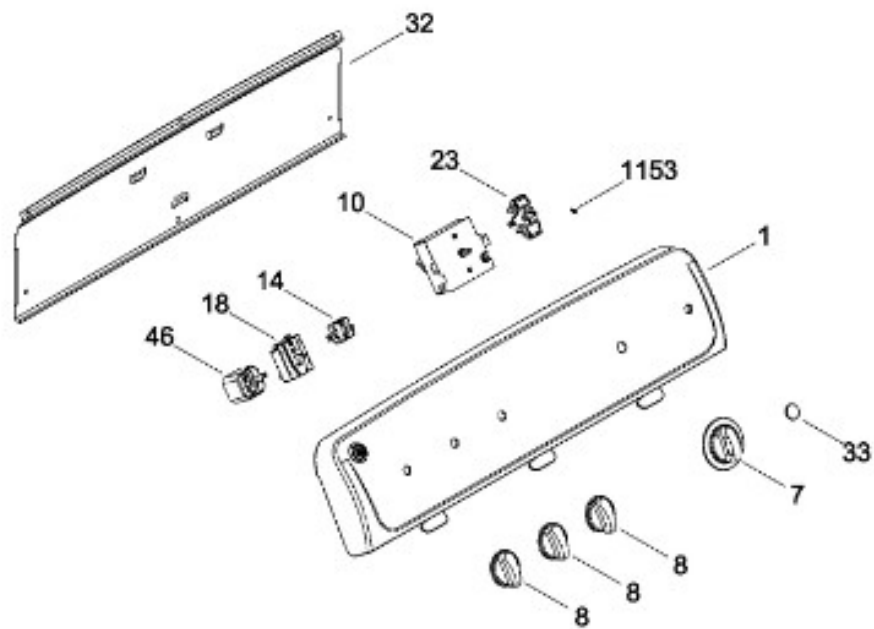
SurteRápido.com

Venta de Refacciones  
Electrodomesticas

# SECADORA GTMP280ED4WW

SISTEMA CONTROLES / CONTROL SYSTEM

GTMP280ED4WW



Distribuidor Autorizado

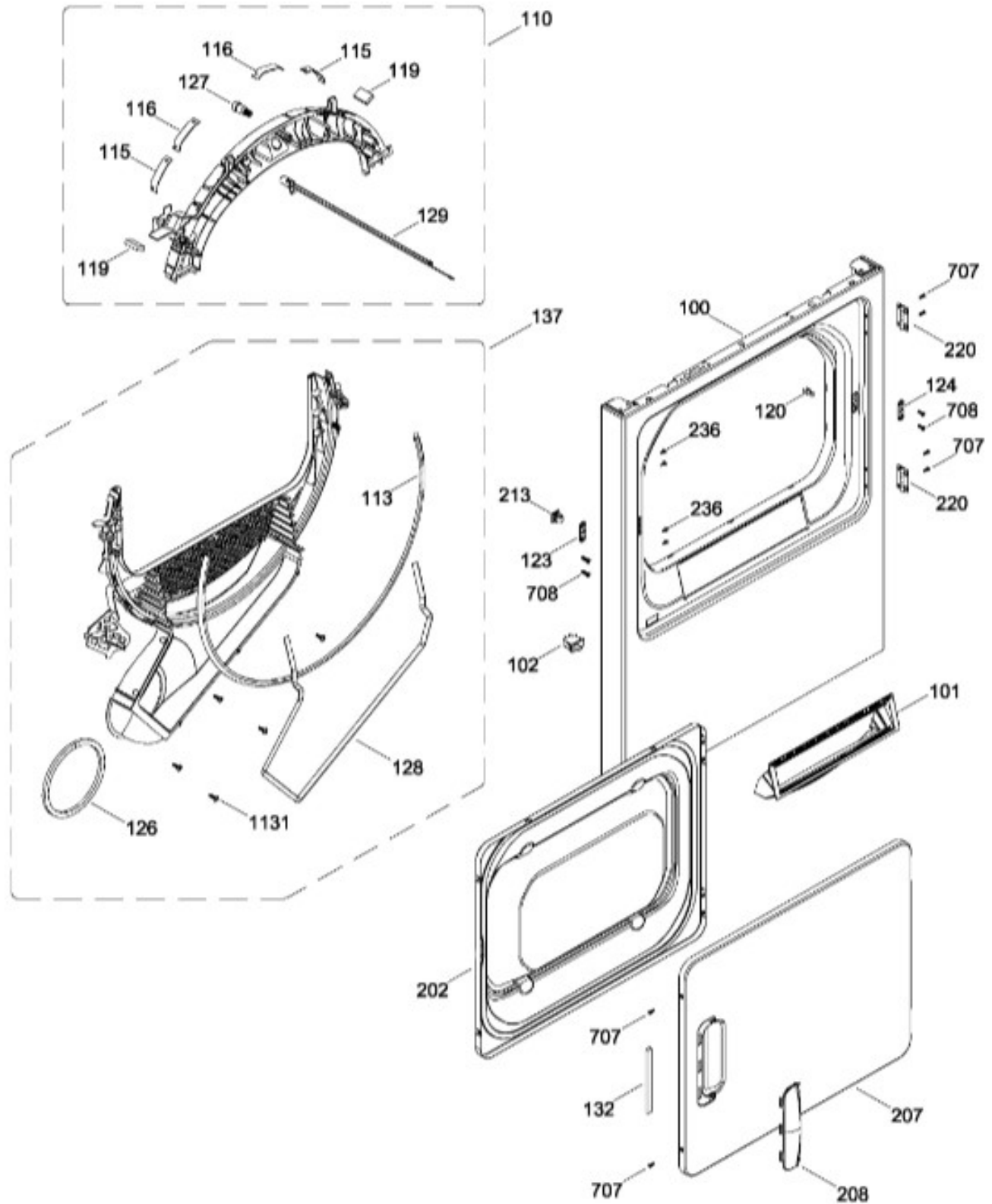
SurteRápido.com

Venta de Refacciones  
Electrodomesticas

# SECADORA GTMP280ED4WW

PANEL FRONTAL (ENS) / FRONT PANEL (ASM)  
PUERTA (ENS) / DOOR (ASM)

GTMP280ED4WW



Distribuidor Autorizado

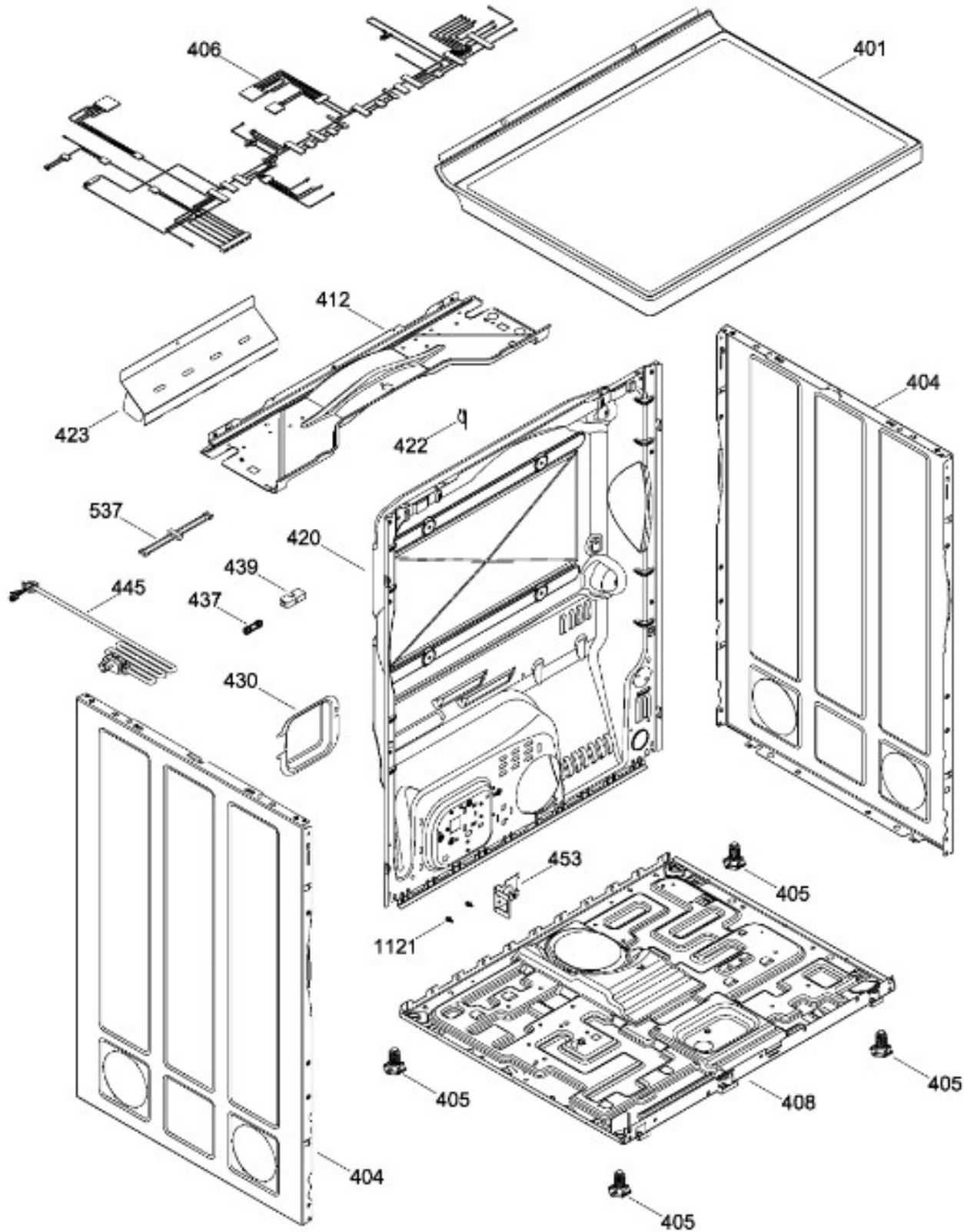
SurteRápido.com

Venta de Refacciones  
Electrodomesticas

# SECADORA GTMP280ED4WW

GABINETE / STRUCTURE

GTMP280ED4WW



Distribuidor Autorizado

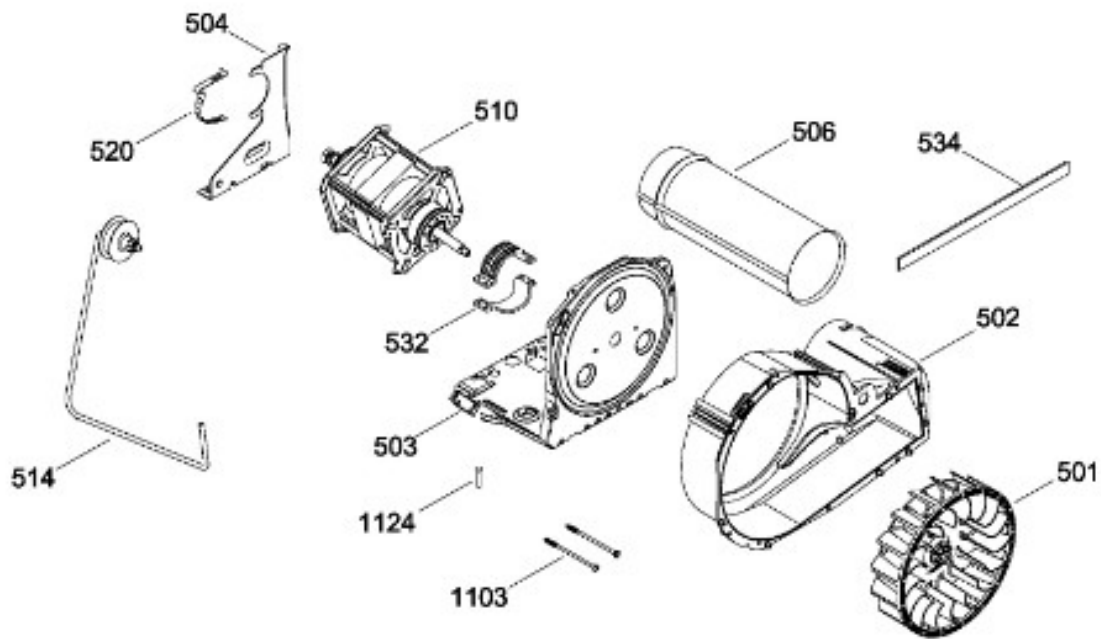
SurteRápido.com

Venta de Refacciones  
Electrodomesticas

# SECADORA GTMP280ED4WW

SISTEMA DE TRANSMISION (ENS) / BLOWER & DRIVE (ASM)

GTMP280ED4WW



Distribuidor Autorizado

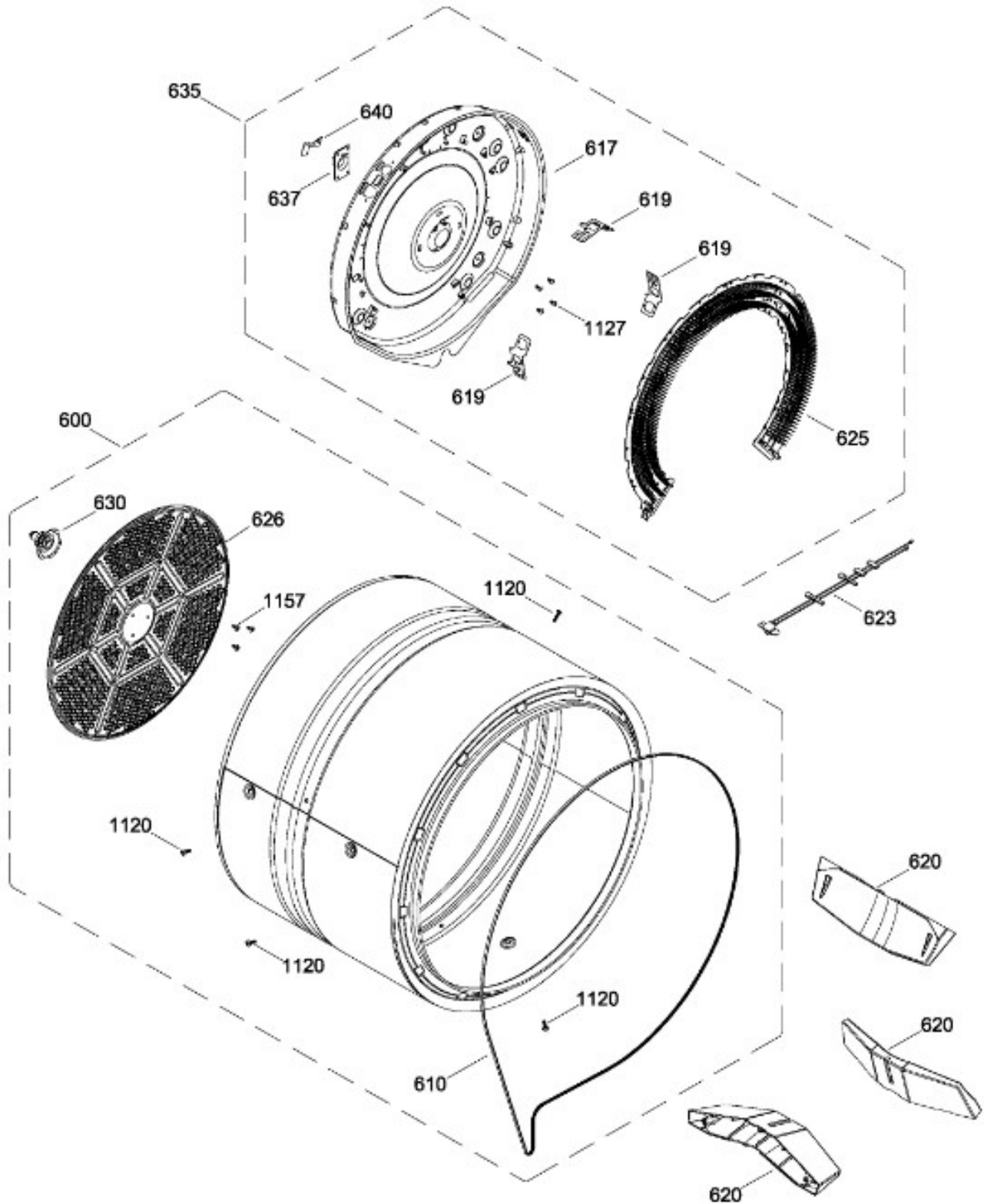
SurteRápido.com

Venta de Refacciones  
Electrodomesticas

# SECADORA GTMP280ED4WW

TAMBOR (ENS) / DRUM (ASM)

GTMP280ED4WW



Distribuidor Autorizado

**SurteRápido.com**

Venta de Refacciones  
Electrodomesticas

# SECADORA GTMP280ED4WW

| Guía | Refacción  | Descripción               |
|------|------------|---------------------------|
| 1    | WW02L00434 | COPETE GRAFICO ENSAMBLE   |
| 2    | WW01A00581 | MANUAL DE USO Y CUIDADOS  |
| 7    | WW01L01132 | KNOB ASM TIMER "WHITE"    |
| 8    | WW02L00424 | ENSAMBLE PERILLA Y CLIP   |
| 10   | WW02F00319 | TIMER                     |
| 14   | WW02L00081 | INTERRUPTOR ROTATORIO     |
| 18   | WW02L00425 | INTERRUPTOR ROTATORIO     |
| 23   | WW02L00024 | INTERRUPTOR ARRANQUE      |
| 32   | WW02L00152 | BACK PANEL                |
| 33   | WW03F00355 | BOTON Y CLIP ENSAMBLE     |
| 46   | WW02F00333 | VARIABLE BUZZER           |
| 100  | WW03L00330 | PANELFRONTAL              |
| 101  | WW02L00080 | ENS. FILTRO MALLA         |
| 101  | WW02F00616 | ENS. FILTRO MALLA         |
| 102  | WW02L00025 | INTERRUPTOR PUERTA        |
| 110  | WW02A00158 | COJINETE SUPERIOR ENS     |
| 110  | WW02L00517 | COJINETE SUPERIOR ENS     |
| 113  | WW01L01329 | FELPA COLECTOR DE AIRE    |
| 113  | WW02F00783 | FELPA COLECTOR DE AIRE    |
| 113  | WW02F00783 | FELPA DUCTO RECOLECTOR    |
| 113  | WW02F00783 | FELPA DUCTO RECOLECTOR    |
| 115  | WW03A00015 | COJINETE DESLIZABLE       |
| 116  | WW03A00016 | COJINETE DESLIZABLE       |
| 116  | WW02A00250 | COJINETE DESLIZABLE       |
| 119  | WW02F00131 | FIELTRO                   |
| 119  | WW02F00784 | FIELTRO                   |
| 120  | WW02A00004 | STRIKE                    |
| 123  | WW02A00056 | STRIKE PLATE              |
| 124  | WW02A00057 | STRIKE PLATE              |
| 126  | WW02L00040 | GASKET FOAM               |
| 127  | WW03F00458 | LAMPARA                   |
| 128  | WW03F00354 | SELLO                     |
| 129  | WW01F01584 | ENSAMBLE CLAVIJA          |
| 132  | WW02L00427 | SELLO                     |
| 137  | WW01F01585 | ENSAMBLE COLECTOR DE AIRE |

Distribuidor Autorizado

**SurteRápido.com**

Venta de Refacciones  
Electrodomesticas



## SECADORA GTMP280ED4WW

| Guía | Refacción  | Descripción                   |
|------|------------|-------------------------------|
| 137  | WW02F00590 | ENSAMBLE COLECTOR DE AIRE     |
| 202  | WW03L00333 | PUERTA INTERIOR ENSAMBLE      |
| 207  | WW03L00308 | PANELDEPUERTA                 |
| 208  | WW03L00310 | JALADERA PUERTA               |
| 208  | WW03L00310 | JALADERA PUERTA               |
| 213  | WW02L00037 | LATCH ASM.                    |
| 220  | WW02L00028 | BISAGRA PUERTA                |
| 236  | WW02A00065 | BOTON BELLEZA                 |
| 401  | WW03L00302 | CUBIERTA SUPERIOR             |
| 404  | WW02L00269 | SIDE PANEL WHITE              |
| 405  | WW02L00244 | PATA NIVELADORA               |
| 406  | WW01F01595 | ARNES ELECTRICO ENSAMBLE      |
| 408  | WW03L00314 | BASECHASIS                    |
| 412  | WW03L00247 | CUBIERTA INFERIOR             |
| 420  | WW03L00294 | PANEL POSTERIOR               |
| 422  | WW02F00022 | CORD SET RETAINER             |
| 423  | WW02L00107 | ESCUDO CALOR POST.            |
| 430  | WW02L00211 | CUBIERTA TERMINAL FUSIBLE     |
| 437  | WW03F00044 | FUSIBLE                       |
| 439  | WW03F00107 | PORTA FUSIBLE                 |
| 445  | WW03F00109 | CORDON TOMACORRIENTE(240V CA) |
| 453  | WW01A00535 | SOPORTE ANTI TENSION          |
| 501  | WW01F01162 | VENTILADOR REDONDO            |
| 502  | WW02L00422 | CUBIERTA VENTILADOR           |
| 503  | WW03L00293 | BASEMOTOR                     |
| 504  | WW02F00027 | SOPORTE MOTOR                 |
| 506  | WW01F01581 | DUCTODEESCAPE                 |
| 506  | WW02L00148 | DUCTODEESCAPE                 |
| 506  | WW02L00148 | CONDUCTO DE ESCAPE            |
| 510  | WW02F00015 | MOTOR POLEA ENS.              |
| 510  | WW03A00209 | MOTOR POLEA ENS.              |
| 514  | WW03F00350 | ENSAMBLE BRAZO TENSOR         |
| 520  | WW02F00031 | CLIP MOTOR                    |
| 532  | WW02F00003 | CORREA MOTOR                  |
| 532  | WW02A00232 | CORREA MOTOR                  |

Distribuidor Autorizado

**SurteRápido.com**

Venta de Refacciones  
Electrodomesticas



## SECADORA GTMP280ED4WW

| Guía | Refacción  | Descripción                    |
|------|------------|--------------------------------|
| 534  | WW02A00026 | EMPAQUE ESCAPE SOPLADOR        |
| 534  | WW02F00785 | EMPAQUE ESCAPE SOPLADOR        |
| 537  | WW03F00179 | ARNES PORTAFUSIBLE             |
| 600  | WW02F00478 | TAMBOR ENSAMBLE                |
| 610  | WW03F00351 | BANDA                          |
| 610  | WW02F00028 | BANDA                          |
| 610  | WW02F00854 | BANDA SECADORA                 |
| 617  | WW03L00152 | CUBIERTA CALENTADOR            |
| 617  | WW03L00152 | CUBIERTA CALENTADOR            |
| 619  | WW01A00442 | SOPORTE DE PROTECCION          |
| 620  | WW02L00421 | ALETA                          |
| 623  | WW01F01583 | ENSAMBLE ARNES                 |
| 625  | WW03F00180 | CALENTADOR ENS                 |
| 626  | WW02F00221 | DIFUSOR                        |
| 626  | WW02F00827 | DIFUSOR                        |
| 630  | WW02A00019 | SOPORTEYFLECHAENSAMBLE         |
| 635  | WW02F00468 | CALENTADOR Y CUBIERTA ENSAMBLE |
| 637  | WW02A00005 | RETENEDOR RODAMIENTO           |
| 640  | WW01A00443 | GROUND STRAP ASSEMBLY          |
| 640  | WW02F00833 | GROUND STRAP ASSEMBLY          |
| 707  | WW01A00539 | TORNILLO                       |
| 708  | WW02A00098 | SCREW                          |
| 708  | WW01A00539 | SCREW                          |
| 1103 | WW02A00032 | TORNILLO                       |
| 1120 | WW02A00031 | TORNILLO                       |
| 1121 | WW01A00001 | TORNILLO                       |
| 1124 | WW02A00070 | TORNILLO                       |
| 1127 | WW01A00521 | TORNILLO                       |
| 1127 | WW02A00211 | TORNILLO                       |
| 1131 | WW02A00028 | TORNILLO                       |
| 1153 | WW01A00454 | TORNILLO 30 X 20 IA PP         |
| 1157 | WW01A00456 | TORNILLO #10                   |