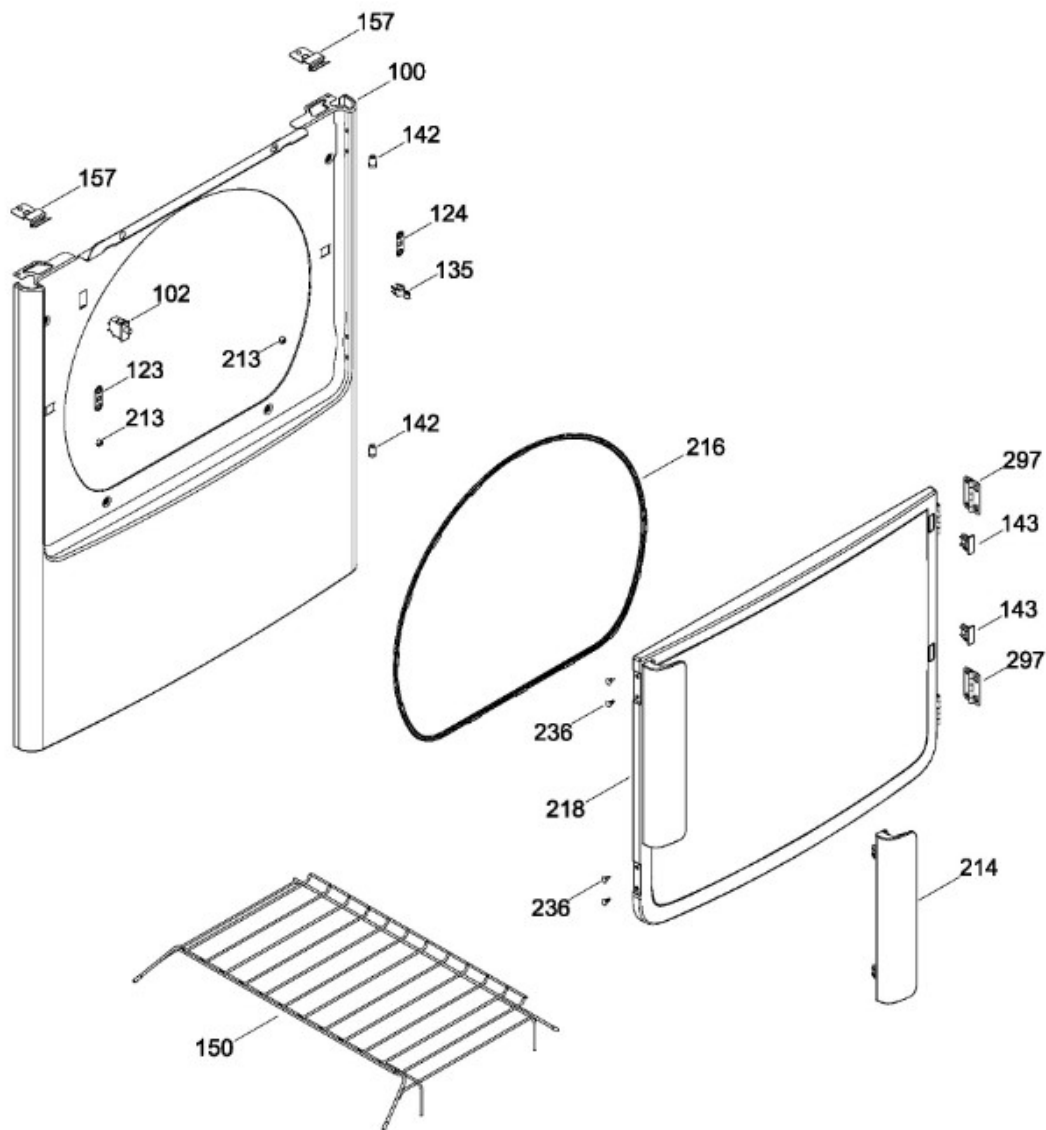


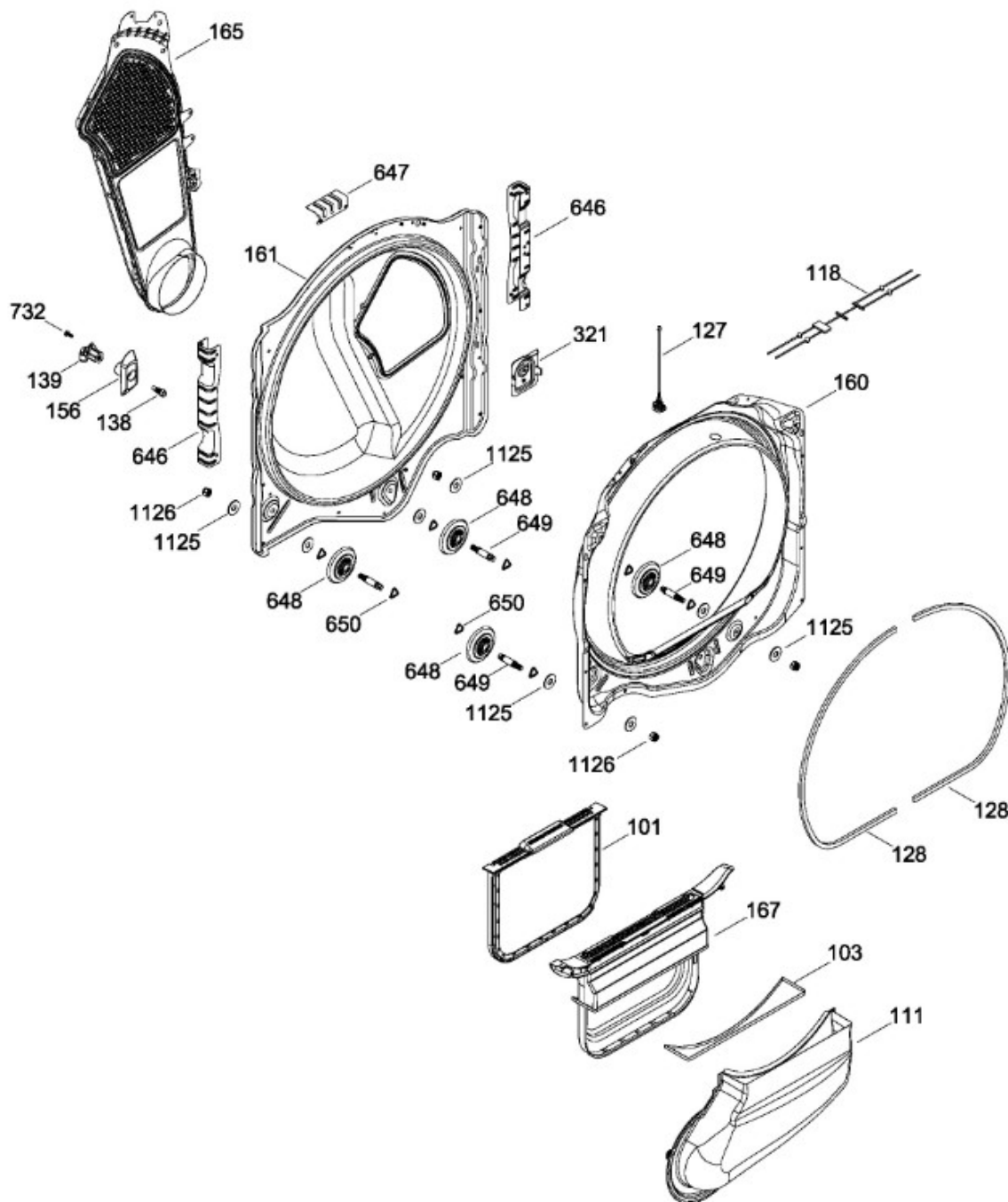
PANEL FRONTAL Y PUERTA (ENS)
FRONT PANEL AND DOOR (ASM)

GTMS855ED1MC



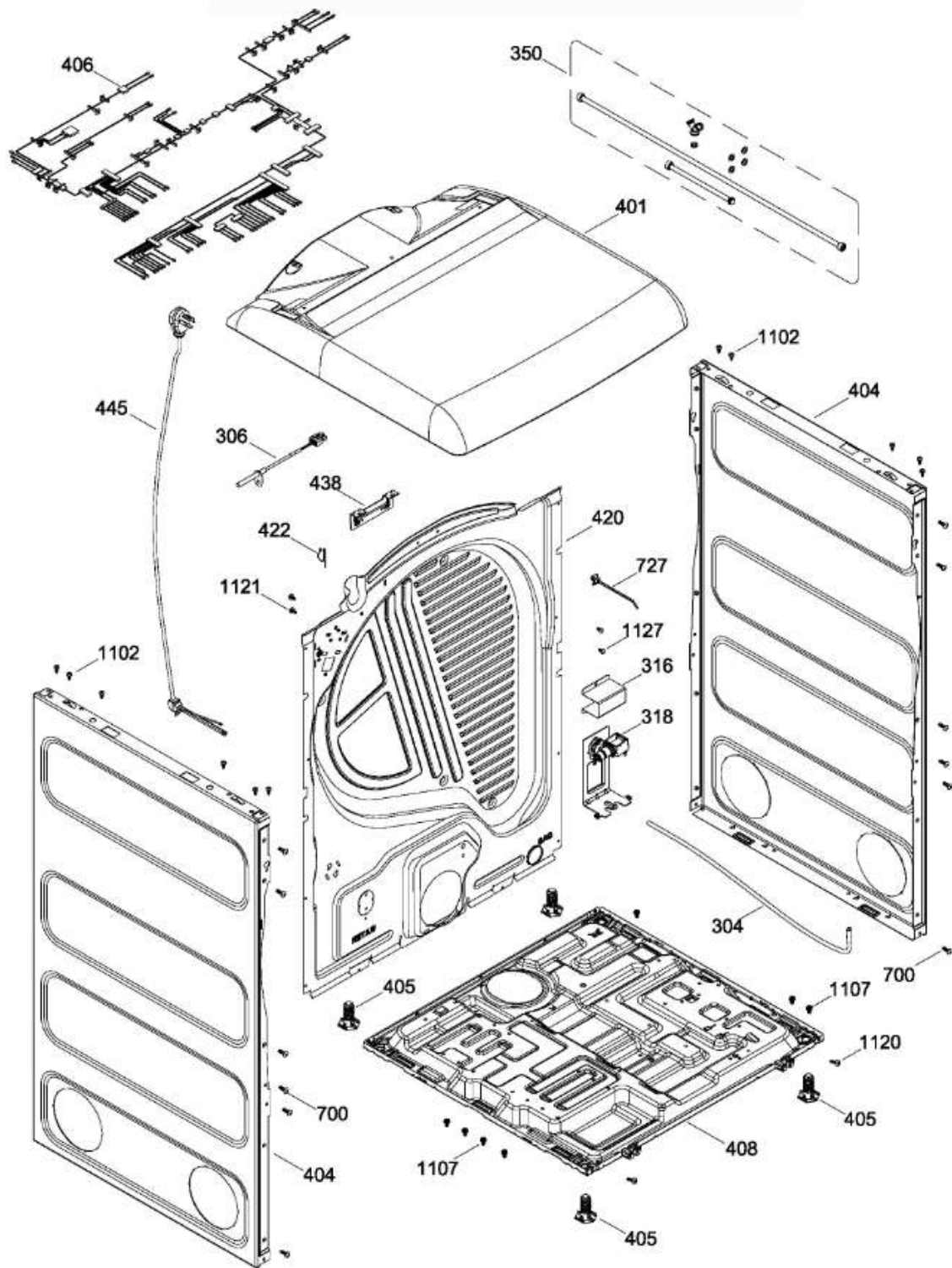
REAR AND FRONT ROLLER SUPPORT (ASM)
SOPORTE RUEDAS POSTERIOR Y DELANTERO (ENS)

GTMS855ED1MC



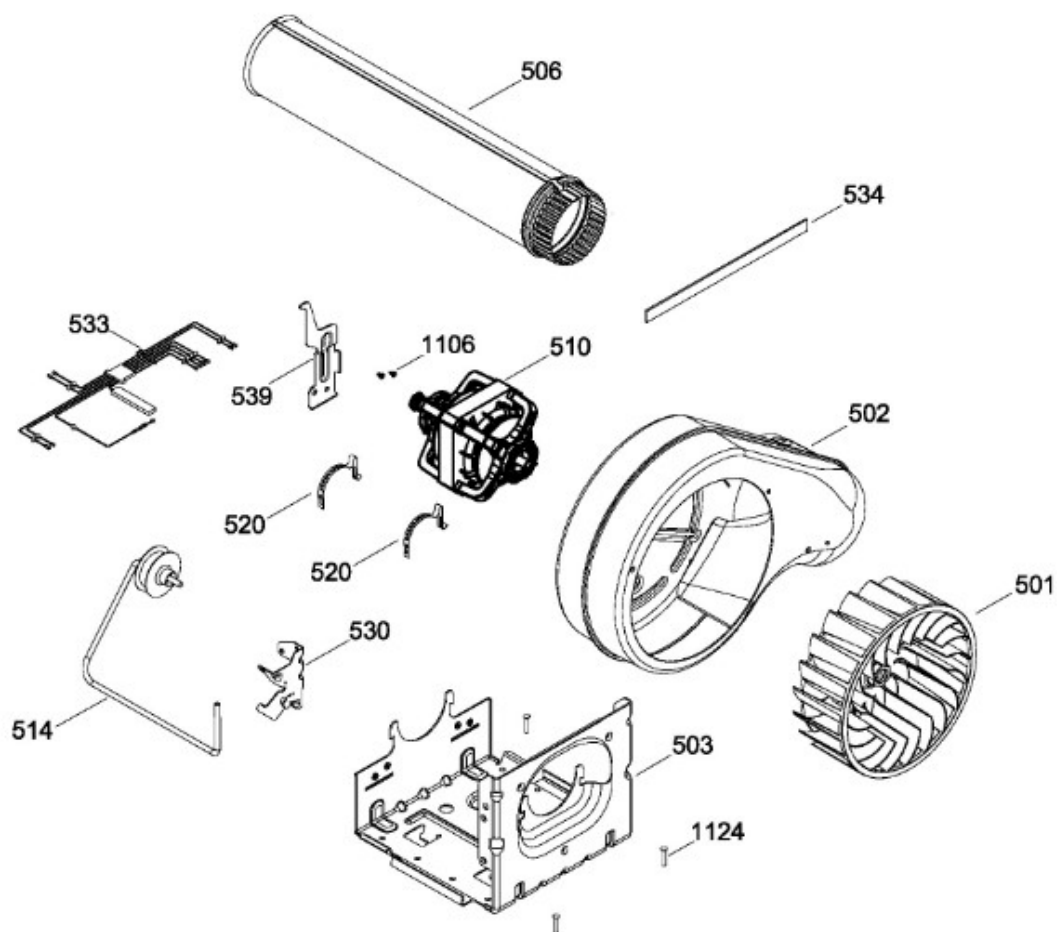
GABINETE / STRUCTURE

GTMS855ED1MC



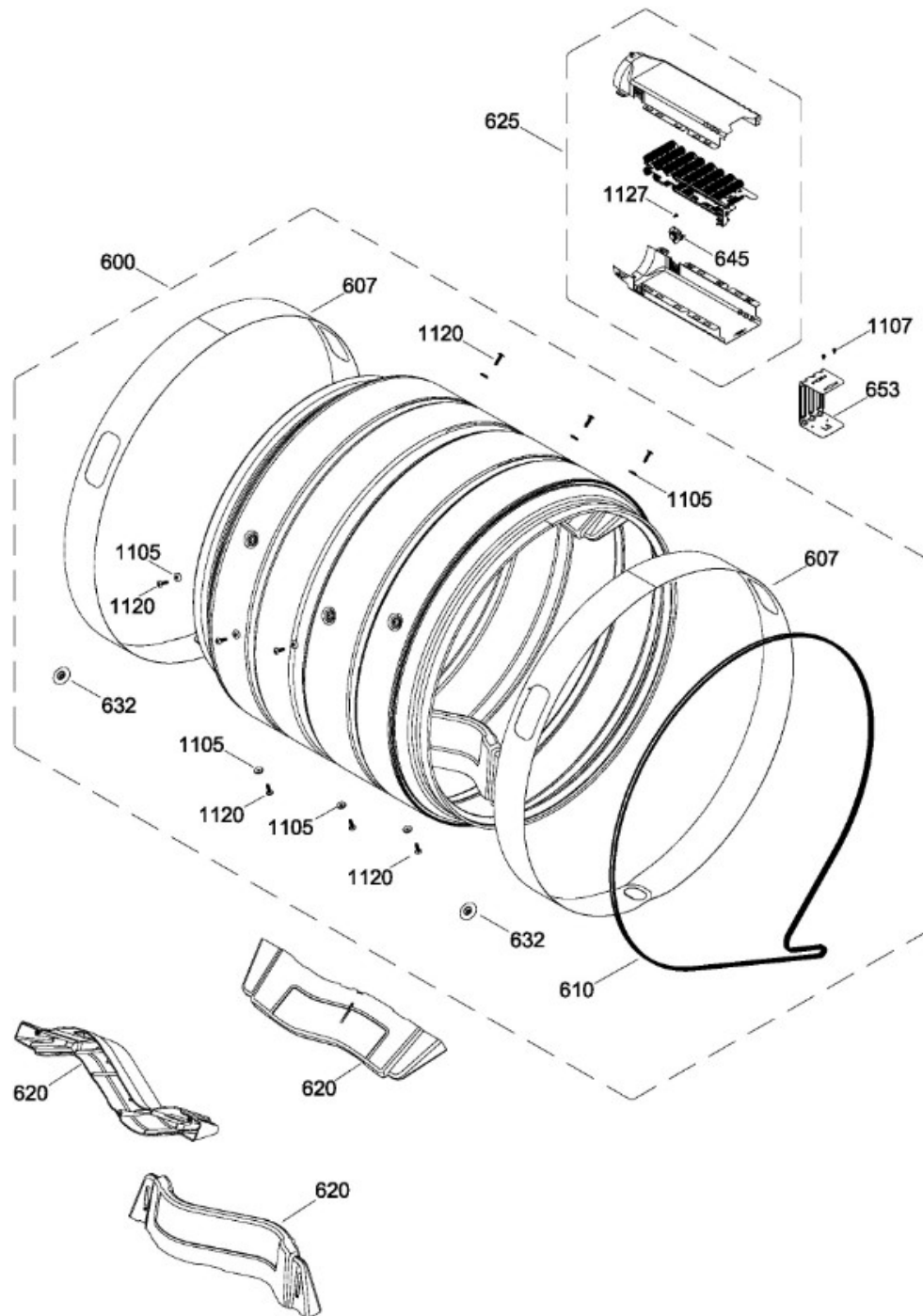
SISTEMA DE TRANSMISION (ENS) / BLOWER & DRIVE (ASM)

GTMS855ED1MC



TAMBOR (ENS) / DRUM (ASM)

GTMS855ED1MC



Guía	Refacción	Descripción
1	WW01F01502	PANEL CONTROL ENS
2	WW01A00525	MANUAL DE USO Y CUIDADOS
7	WW01L01252	PERILLA ENS
30	WW01F01434	PLATAFORMA Y TARJETA ENS
31	WW01F01408	TARJETA ENS
32	WW01L01253	PANEL POSTERIOR
54	WW01F01409	CABLE COMUNICACION
55	WW01A00502	CINTURON
58	WW01F01435	GUIA DE LUZ ENS
100	WW01L01274	PANEL FRONTAL
101	WW01F01411	FILTRO ENS
102	WW02L00025	INTERRUPTOR PUERTA
103	WW01L01255	SELLO
111	WW01F01412	DUCTO ENS
118	WW01F01413	ARNES SENSORES ENS
123	WW02A00056	STRIKE PLATE
124	WW02A00057	STRIKE PLATE
127	WW01F01414	LED ENS
128	WW01L01256	SELLO ESPUMA
135	WW03F00307	SEGURO
138	WW02A00092	BOQUILLA
139	WW02F00121	CODO
142	WW01L01257	GUIA
143	WW01L01258	TAPON BELLEZA
150	WW01L01275	REJILLA PARA ZAPATOS
156	WW01A00503	SOPORTE BOQUILLA
157	WW01A00504	CLIP DE CIERRE
160	WW01A00505	SOPORTE RUEDAS DELANTERO(BCO)
161	WW01A00506	SOPORTE POSTERIOR RUEDA(BCO)
165	WW03F00403	ENS DUCTO DE TRANSICION
167	WW01L01259	REJILLA ENS
213	WW02F00154	SEGURO PUERTA
214	WW01L01260	JALADERA PUERTA
216	WW01L01261	SELLO PUERTA
218	WW01L01262	PUERTA ENSAMBLE
236	WW02A00066	BOTON BELLEZA
297	WW02L00028	BISAGRA PUERTA
304	WW01F01416	TUBO

Guía	Refacción	Descripción
306	WW01F01417	TERMISTOR
316	WW01L01263	PROTECTOR VALVULA
318	WW01F01418	VALVULA DE AGUA ENS
321	WW01A00507	SOPORTE INFERIOR
350	WW02A00088	KIT MANGUERAS EXTERNAS
401	WW01L01276	CUBIERTA SECADORA
404	WW01L01278	PANEL LATERAL
405	WW01A00508	PATA DE NIVELACION
406	WW03F00483	ARNES ELECT. ENS
408	WW01L01266	BASE CHASIS
420	WW01L01267	PANEL POSTERIOR
422	WW02F00022	CORD SET RETAINER
438	WW01A00509	SOPORTE
442	WW03F00452	TAPA DE FUSIBLES
445	WW03F00109	CORDON TOMACORRIENTE(240V CA)
501	WW01F01420	VENTILADOR
501	WW01F01420	VENTILADOR
502	WW01F01421	CAJA VENTILADOR ENS
503	WW01A00510	SOPORTE U
506	WW02F00129	DUCTO DE ESCAPE
506	WW02F00129	DUCTO DE ESCAPE
506	WW02F00721	EXHAUST DUCT
510	WW01F01422	MOTOR Y POLEA ENS
514	WW01F01423	BRAZO TENSOR ENS
520	WW02F00031	CLIP MOTOR
530	WW01A00511	SOPORTE SWITCH
530	WW01A00511	SOPORTE SWITCH
533	WW01F01424	ARNES VENTILADOR ENS
534	WW02A00026	EMPAQUE ESCAPE SOPLADOR
534	WW02F00785	EMPAQUE ESCAPE SOPLADOR
539	WW01A00512	SOPORTE BRAZO TENSOR
600	WW03F00401	TAMBOR Y PALETA ENS
607	WW01L01279	BANDA TAMBOR
610	WW01L01272	BANDA
620	WW03L00299	ALETA
620	WW03L00299	ALETA
625	WW01F01425	CALENTADOR ENSAMBLE
632	WW02A00072	RONDANDA BANDA

Guía	Refacción	Descripción
645	WW01F01426	TERMOSTATO HI LIMIT
646	WW01A00513	SOPORTE REAR ROLLER
647	WW01A00514	SOPORTE SUPERIOR
647	WW01A00514	SOPORTE SUPERIOR
648	WW01A00515	RUEDA
649	WW01A00516	EJE RUEDA
650	WW01A00517	CANDADO
653	WW01A00518	SOPORTE CALENTADOR
653	WW01A00518	SOPORTE CALENTADOR
700	WW02A00102	SCREW CHASSIS TO FRONT HSG.
727	WW02A00061	TIE WRAP ARNESS
727	WW02F00402	TIE WRAP ARNESS
732	WW03A00092	TORNILLO 6-16 B B1Q1 3/4
1102	WW02A00029	TORNILLO
1102	WW02A00211	TORNILLO
1105	WW02A00002	ARANDELA
1106	WW02A00027	SCREW
1107	WS01A01415	TORNILLO 8-18 AB IHW 3/8 SN
1120	WW02A00031	TORNILLO
1121	WW01A00001	TORNILLO
1124	WW02A00070	TORNILLO
1125	WW01A00519	RONDANA PLANA
1126	WW01A00520	TUERCA HEX 3/8-24 UNF 2B
1127	WW01A00521	TORNILLO
1127	WW02A00211	TORNILLO