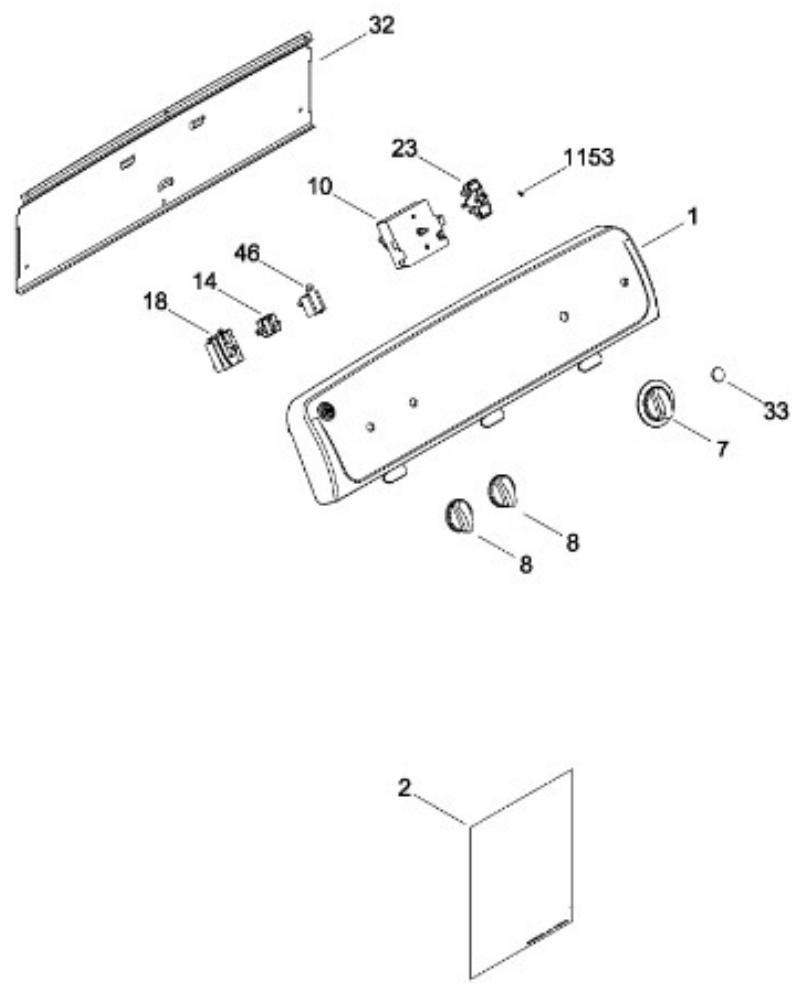




SECADORA GTMX180ED4WW

SISTEMA CONTROLES / CONTROL SYSTEM

GTMX180ED4WW



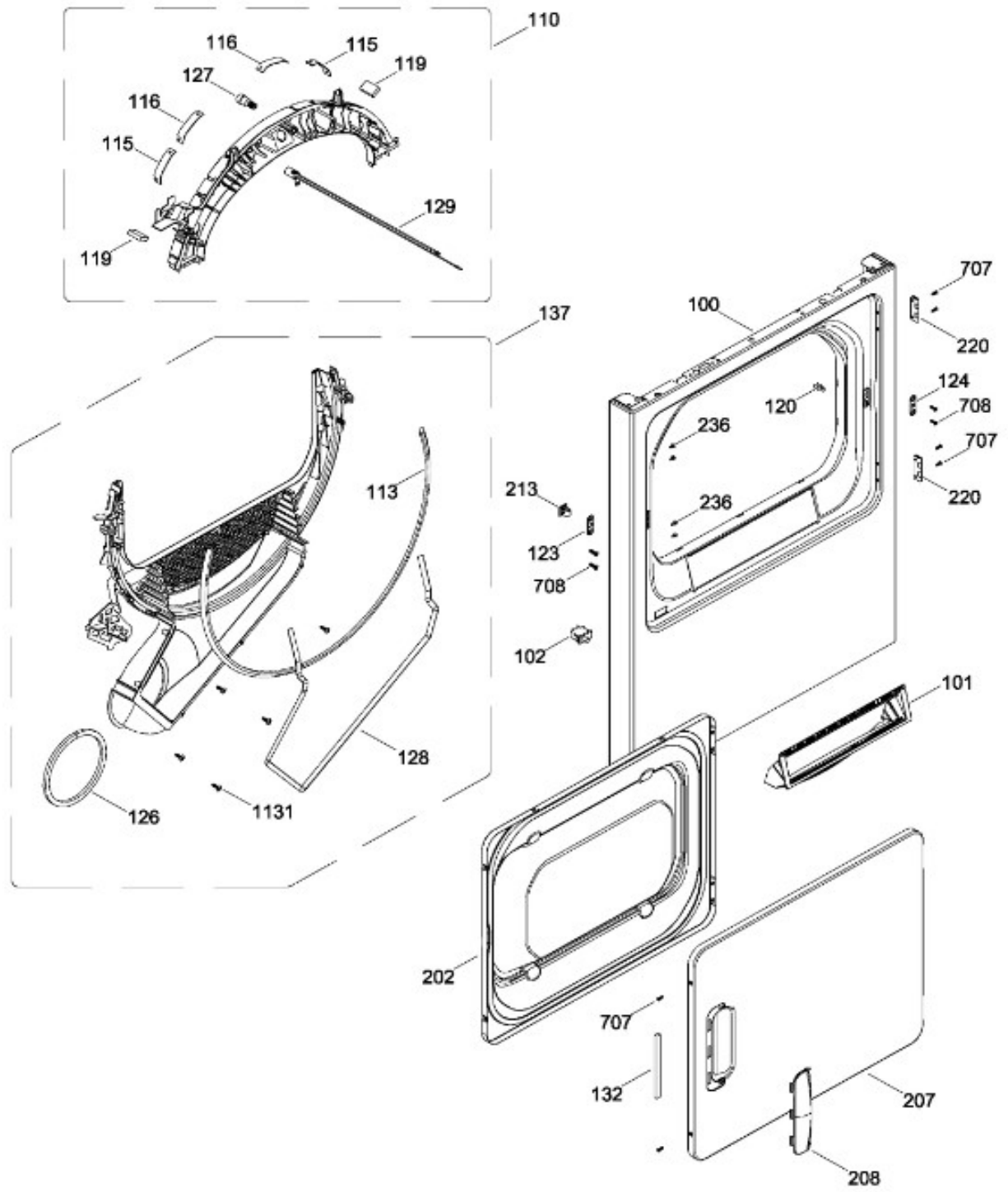
BENITO JUÁREZ #1500 GPE ZITON, CD. GUADALUPE NUEVO LEÓN TEL: 8183377999 Y 49
HORARIOS: LUNES A VIERNES 8:30 A 6:00 PM Y SÁBADOS DE 8:30 A 2:00 PM
WEB: www.denek.com



SECADORA GTMX180ED4WW

PANEL FRONTAL (ENS) / FRONT PANEL (ASM)
PUERTA (ENS) / DOOR (ASM)

GTMX180ED4WW

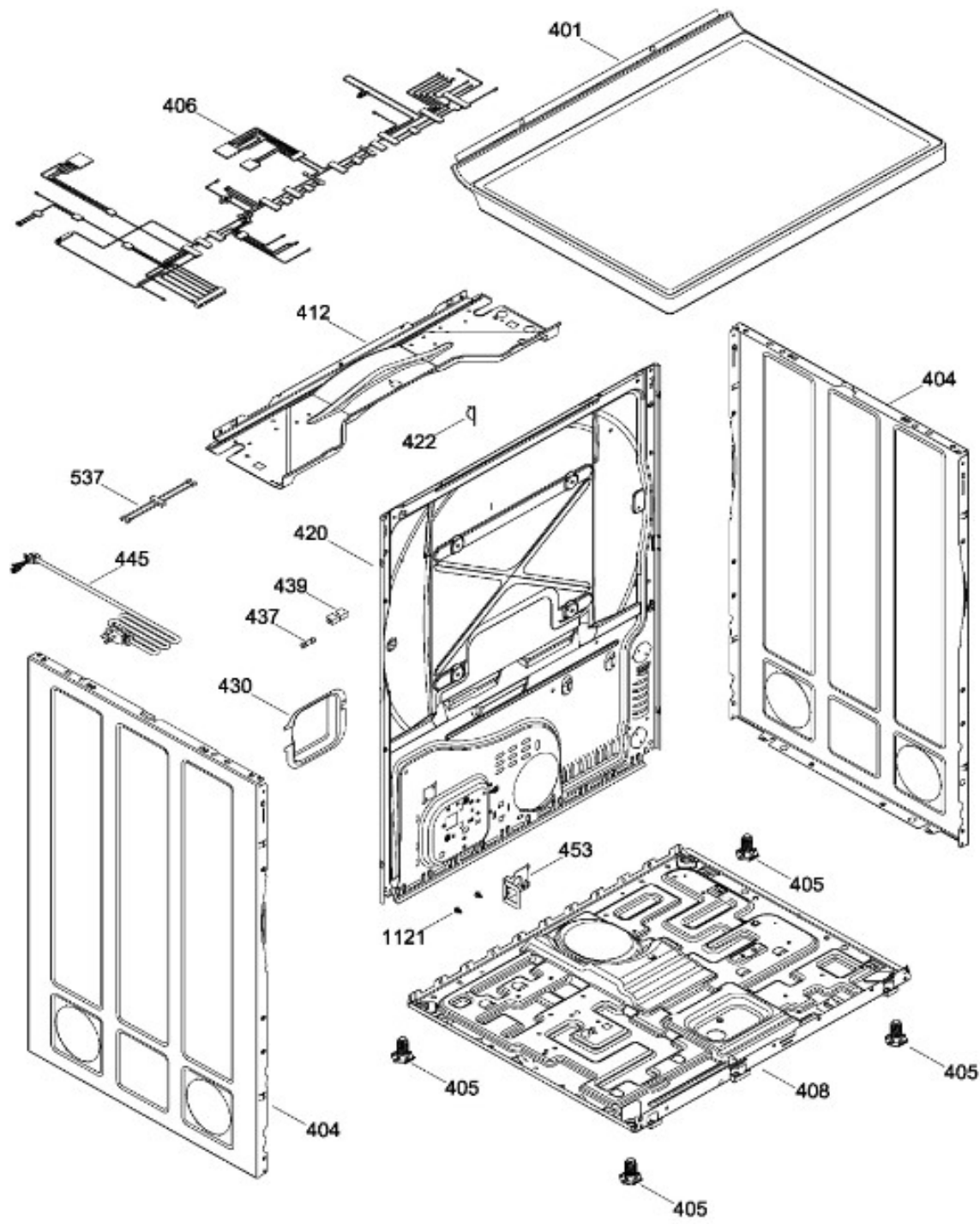


BENITO JUÁREZ #1500 GPE ZITON, CD. GUADALUPE NUEVO LEÓN TEL: 8183377999 Y 49
HORARIOS: LUNES A VIERNES 8:30 A 6:00 PM Y SÁBADOS DE 8:30 A 2:00 PM
WEB: www.denek.com



SECADORA GTMX180ED4WW

GTMX180ED4WW



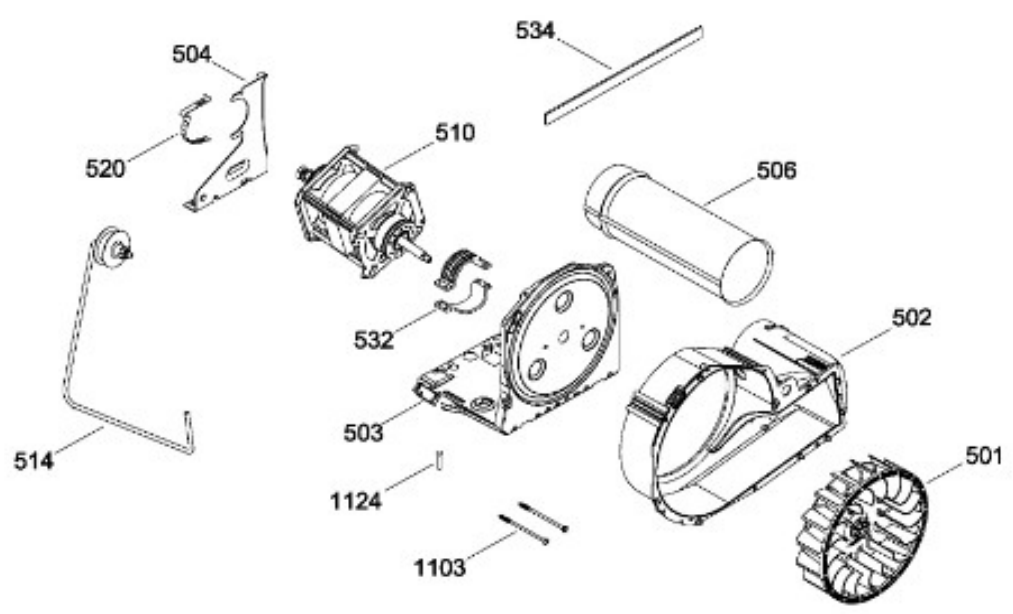
BENITO JUÁREZ #1500 GPE ZITON, CD. GUADALUPE NUEVO LEÓN TEL: 8183377999 Y 49
HORARIOS: LUNES A VIERNES 8:30 A 6:00 PM Y SÁBADOS DE 8:30 A 2:00 PM
WEB: www.denek.com



SECADORA GTMX180ED4WW

SISTEMA DE TRANSMISION (ENS) / BLOWER & DRIVE (ASM)

GTMX180ED4WW



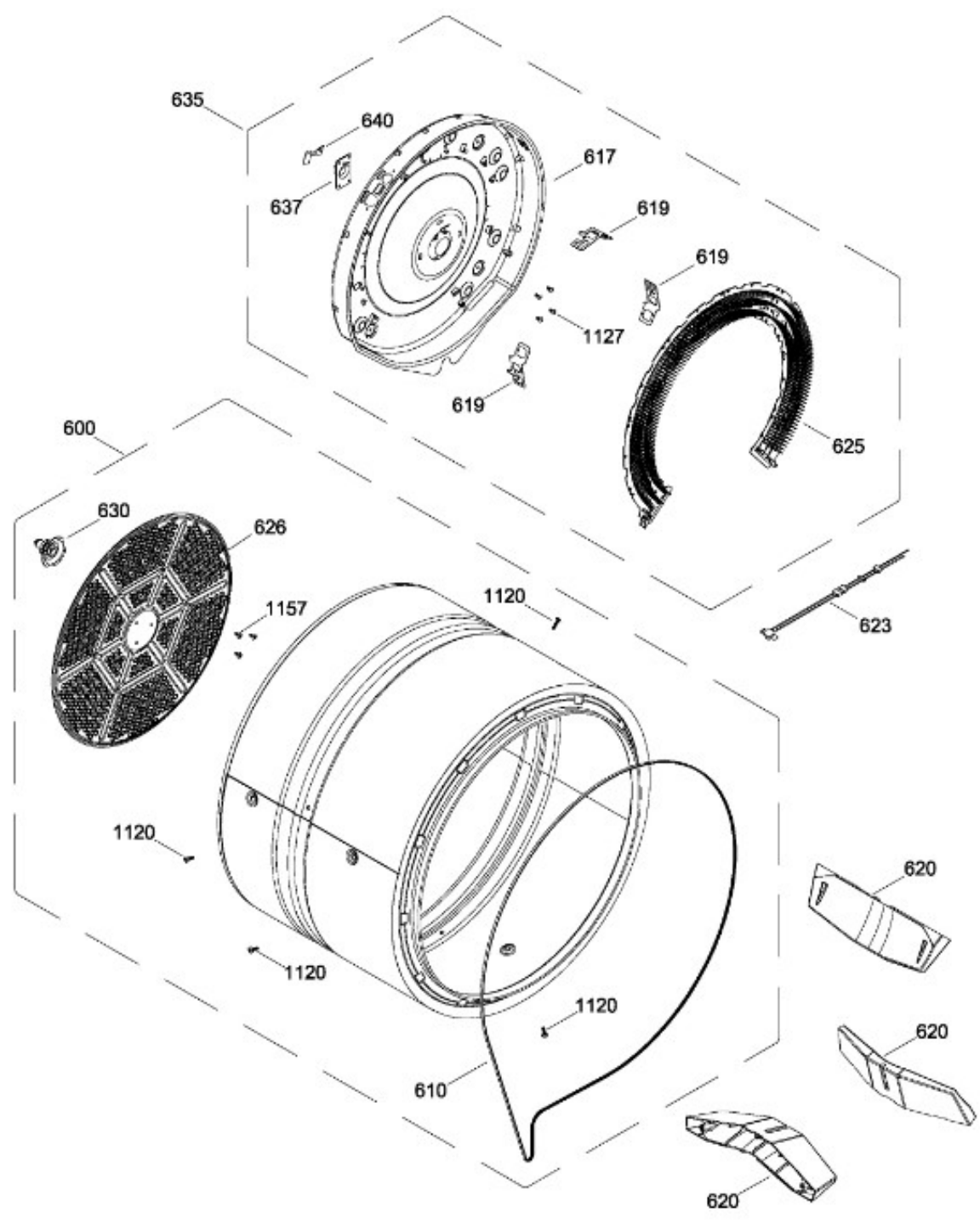
BENITO JUÁREZ #1500 GPE ZITON, CD. GUADALUPE NUEVO LEÓN TEL: 8183377999 Y 49
HORARIOS: LUNES A VIERNES 8:30 A 6:00 PM Y SÁBADOS DE 8:30 A 2:00 PM
WEB: www.denek.com



SECADORA GTMX180ED4WW

TAMBOR (ENS) / DRUM (ASM)

GTMX180ED4WW



BENITO JUÁREZ #1500 GPE ZITON, CD. GUADALUPE NUEVO LEÓN TEL: 8183377999 Y 49
 HORARIOS: LUNES A VIERNES 8:30 A 6:00 PM Y SÁBADOS DE 8:30 A 2:00 PM
 WEB: www.denek.com

| Guía | Refacción | Descripción |
|------|------------|---------------------------|
| 1 | WW02L00423 | COPETE GRAFICO ENS |
| 2 | WW01A00581 | MANUAL DE USO Y CUIDADOS |
| 7 | WW01L01132 | KNOB ASM TIMER "WHITE" |
| 8 | WW02L00424 | ENSAMBLE PERILLA Y CLIP |
| 10 | WW02F00286 | RELOJ |
| 14 | WW02L00081 | INTERRUPTOR ROTATORIO |
| 18 | WW02L00425 | INTERRUPTOR ROTATORIO |
| 23 | WW02L00024 | INTERRUPTOR ARRANQUE |
| 32 | WW02L00152 | BACK PANEL |
| 33 | WW03F00355 | BOTON Y CLIP ENSAMBLE |
| 46 | WW03L00336 | TIMBRE VARIABLE |
| 100 | WW03L00330 | PANELFRONTAL |
| 101 | WW02L00080 | ENS. FILTRO MALLA |
| 101 | WW02F00616 | ENS. FILTRO MALLA |
| 102 | WW02L00025 | INTERRUPTOR PUERTA |
| 110 | WW02A00158 | COJINETE SUPERIOR ENS |
| 110 | WW02L00517 | COJINETE SUPERIOR ENS |
| 113 | WW01L01329 | FELPA COLECTOR DE AIRE |
| 113 | WW02F00783 | FELPA COLECTOR DE AIRE |
| 115 | WW03A00015 | COJINETE DESLIZABLE |
| 116 | WW03A00016 | COJINETE DESLIZABLE |
| 116 | WW02A00250 | COJINETE DESLIZABLE |
| 119 | WW02F00131 | FIELTRO |
| 119 | WW02F00784 | FIELTRO |
| 120 | WW02A00004 | STRIKE |
| 123 | WW02A00056 | STRIKE PLATE |
| 124 | WW02A00057 | STRIKE PLATE |
| 126 | WW02L00040 | GASKET FOAM |
| 127 | WW03F00458 | LAMPARA |
| 128 | WW03F00354 | SELLO |
| 129 | WW01F01584 | ENSAMBLE CLAVIJA |
| 132 | WW02L00427 | SELLO |
| 137 | WW01F01585 | ENSAMBLE COLECTOR DE AIRE |
| 137 | WW02F00590 | ENSAMBLE COLECTOR DE AIRE |
| 202 | WW03L00333 | PUERTA INTERIOR ENSAMBLE |

| Guía | Refacción | Descripción |
|------|------------|-------------------------------|
| 207 | WW03L00308 | PANELDEPUERTA |
| 208 | WW03L00310 | JALADERA PUERTA |
| 208 | WW03L00310 | JALADERA PUERTA |
| 213 | WW02L00037 | LATCH ASM. |
| 220 | WW02L00029 | BISAGRA |
| 220 | WW02L00028 | BISAGRA |
| 236 | WW02A00065 | BOTON BELLEZA |
| 401 | WW03L00302 | CUBIERTA SUPERIOR |
| 404 | WW02L00269 | SIDE PANEL WHITE |
| 405 | WW02L00244 | PATA NIVELADORA |
| 406 | WW01F01586 | ARNES ELECTRICO ENSAMBLE |
| 408 | WW03L00314 | BASECHASIS |
| 412 | WW03L00247 | CUBIERTA INFERIOR |
| 420 | WW03L00292 | PANEL POSTERIOR |
| 422 | WW02F00022 | CORD SET RETAINER |
| 430 | WW02L00211 | CUBIERTA TERMINAL FUSIBLE |
| 437 | WW03F00044 | FUSIBLE |
| 439 | WW03F00107 | PORTA FUSIBLE |
| 445 | WW03F00109 | CORDON TOMACORRIENTE(240V CA) |
| 453 | WW01A00535 | SOPORTE ANTI TENSION |
| 501 | WW01F01162 | VENTILADOR REDONDO |
| 502 | WW02L00422 | CUBIERTA VENTILADOR |
| 503 | WW03L00293 | BASEMOTOR |
| 504 | WW02F00027 | SOPORTE MOTOR |
| 506 | WW01F01581 | DUCTODEESCAPE |
| 506 | WW02L00148 | DUCTODEESCAPE |
| 506 | WW02L00148 | CONDUCTO DE ESCAPE |
| 510 | WW02F00015 | MOTOR POLEA ENS. |
| 510 | WW03A00209 | MOTOR POLEA ENS. |
| 514 | WW03F00350 | ENSAMBLE BRAZO TENSOR |
| 520 | WW02F00031 | CLIP MOTOR |
| 532 | WW02F00003 | CORREA MOTOR |
| 532 | WW02A00232 | CORREA MOTOR |
| 534 | WW02A00026 | EMPAQUE ESCAPE SOPLADOR |
| 534 | WW02F00785 | EMPAQUE ESCAPE SOPLADOR |

| Guía | Refacción | Descripción |
|------|------------|--------------------------------|
| 537 | WW03F00179 | ARNES PORTAFUSIBLE |
| 600 | WW03F00363 | ENSABMBLE TAMBOR |
| 600 | WW03F00414 | ENSABMBLE TAMBOR |
| 610 | WW03F00351 | BANDA |
| 610 | WW02F00028 | BANDA |
| 610 | WW02F00854 | BANDA SECADORA |
| 617 | WW03L00152 | CUBIERTA CALENTADOR |
| 617 | WW03L00152 | CUBIERTA CALENTADOR |
| 619 | WW01A00442 | SOPORTE DE PROTECCION |
| 620 | WW02L00421 | ALETA |
| 623 | WW01F01583 | ENSAMBLE ARNES |
| 625 | WW03F00180 | CALENTADOR ENS |
| 626 | WW02F00221 | DIFUSOR |
| 626 | WW02F00827 | DIFUSOR |
| 630 | WW02A00019 | SOPORTEYFLECHAENSAMBLE |
| 635 | WW02F00468 | CALENTADOR Y CUBIERTA ENSAMBLE |
| 637 | WW02A00005 | RETENEDOR RODAMIENTO |
| 640 | WW01A00443 | GROUND STRAP ASSEMBLY |
| 640 | WW02F00833 | GROUND STRAP ASSEMBLY |
| 707 | WW01A00539 | TORNILLO |
| 708 | WW02A00098 | SCREW |
| 708 | WW01A00539 | SCREW |
| 1103 | WW02A00032 | TORNILLO |
| 1120 | WW02A00031 | TORNILLO |
| 1121 | WW01A00001 | TORNILLO |
| 1124 | WW02A00070 | TORNILLO |
| 1127 | WW01A00521 | TORNILLO |
| 1127 | WW02A00211 | TORNILLO |
| 1131 | WW02A00028 | TORNILLO |
| 1153 | WW01A00454 | TORNILLO 30 X 20 IA PP |
| 1157 | WW01A00456 | TORNILLO #10 |