

Distribuidor Autorizado

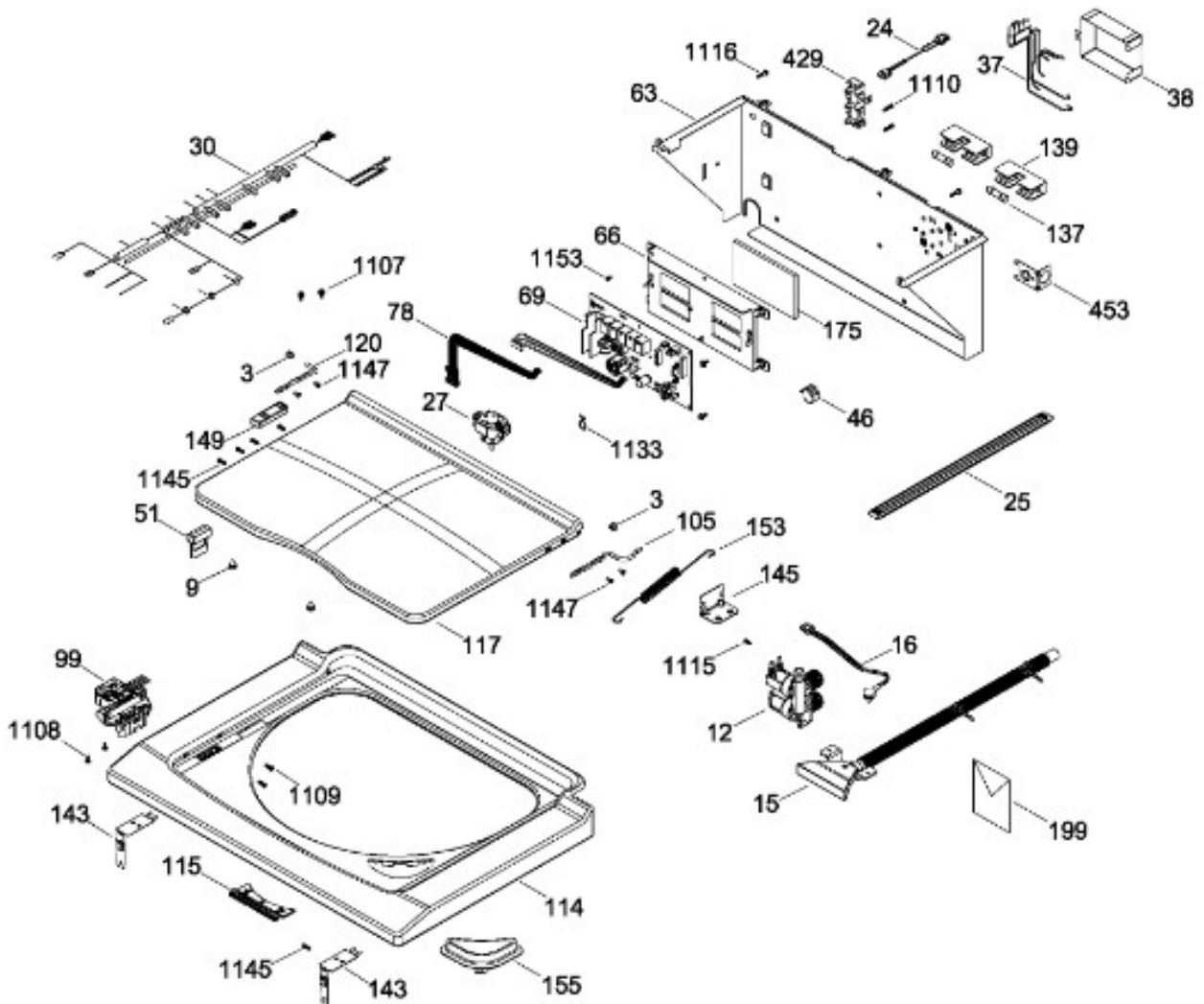
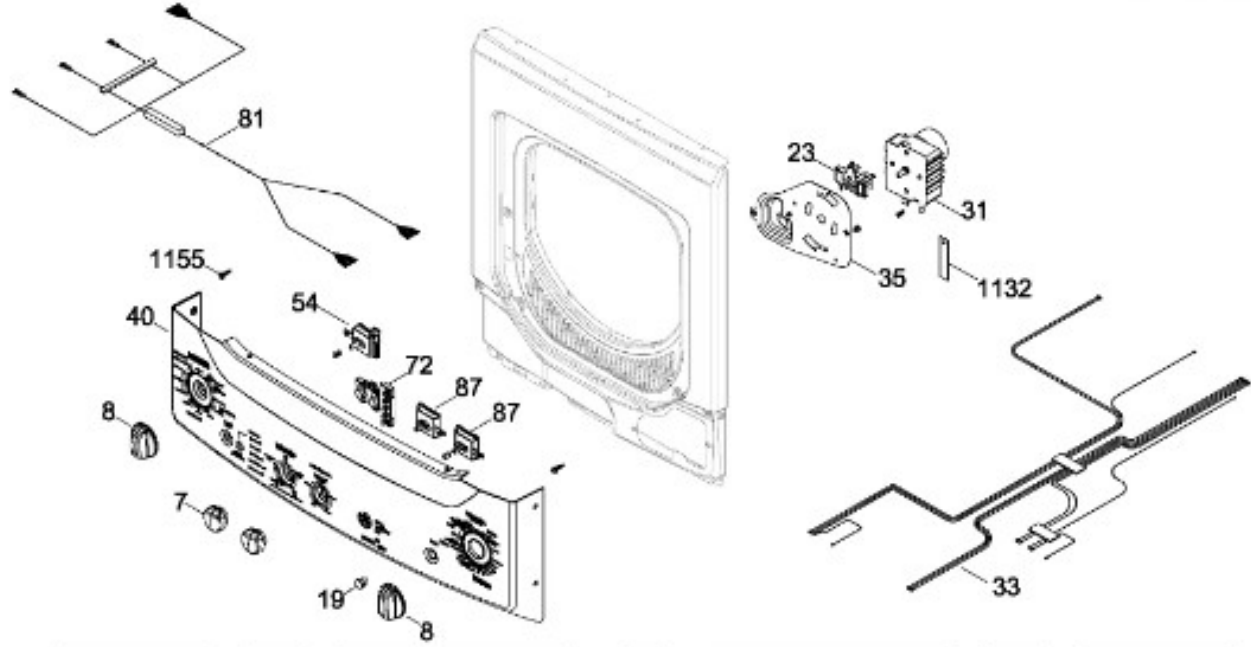
SurteRápido.com

Venta de Refacciones Electrodomesticas

C.L. GTUP270EM3WW

TAPA Y CONTROLES / LID AND CONTROLS

GTUP270EM3WW



Distribuidor Autorizado

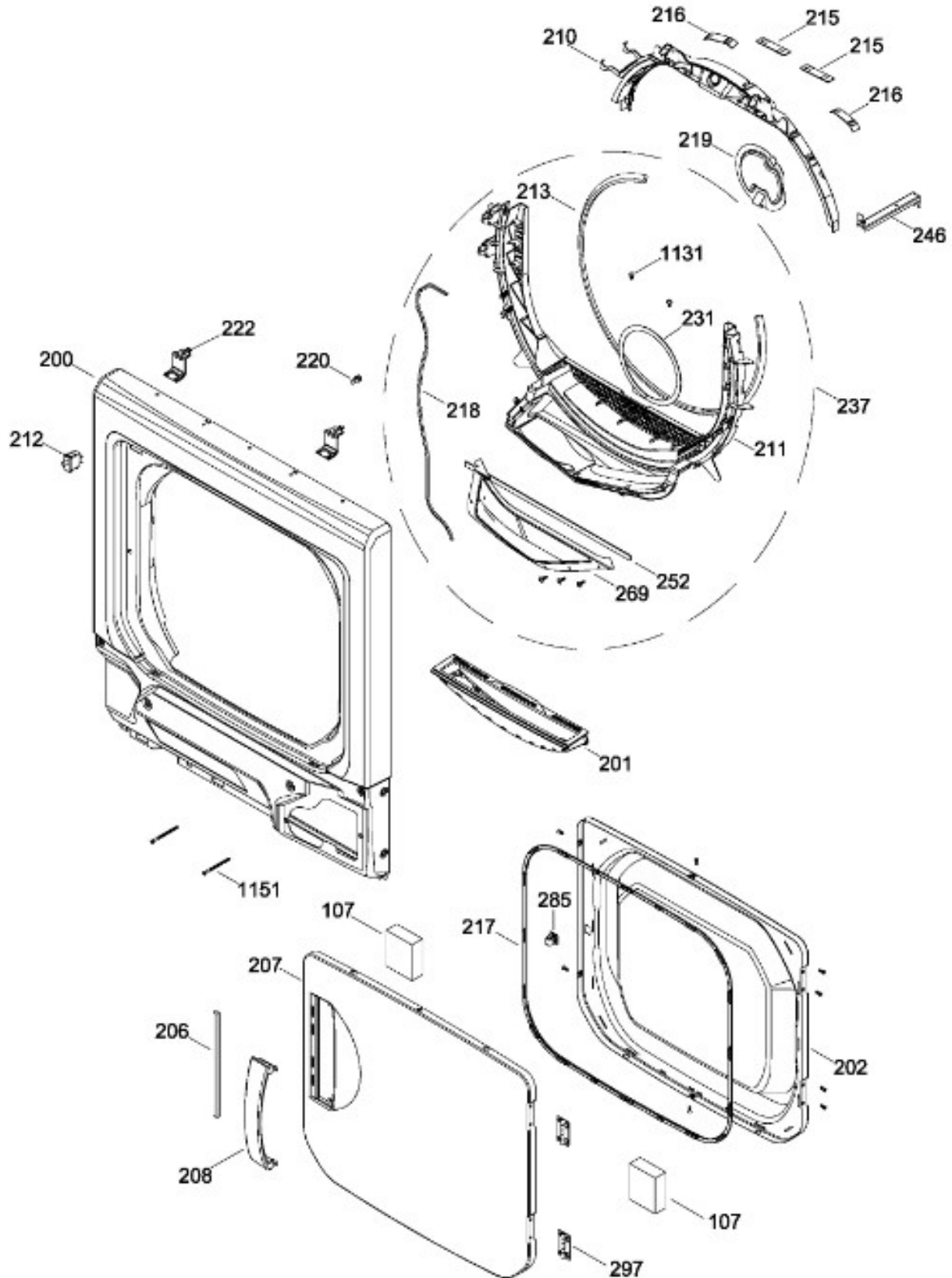
SurteRápido.com

Venta de Refacciones  
Electrodomesticas

C.L. GTUP270EM3WW

PUERTA SECADORA / DOOR DRYER

GTUP270EM3WW



Distribuidor Autorizado

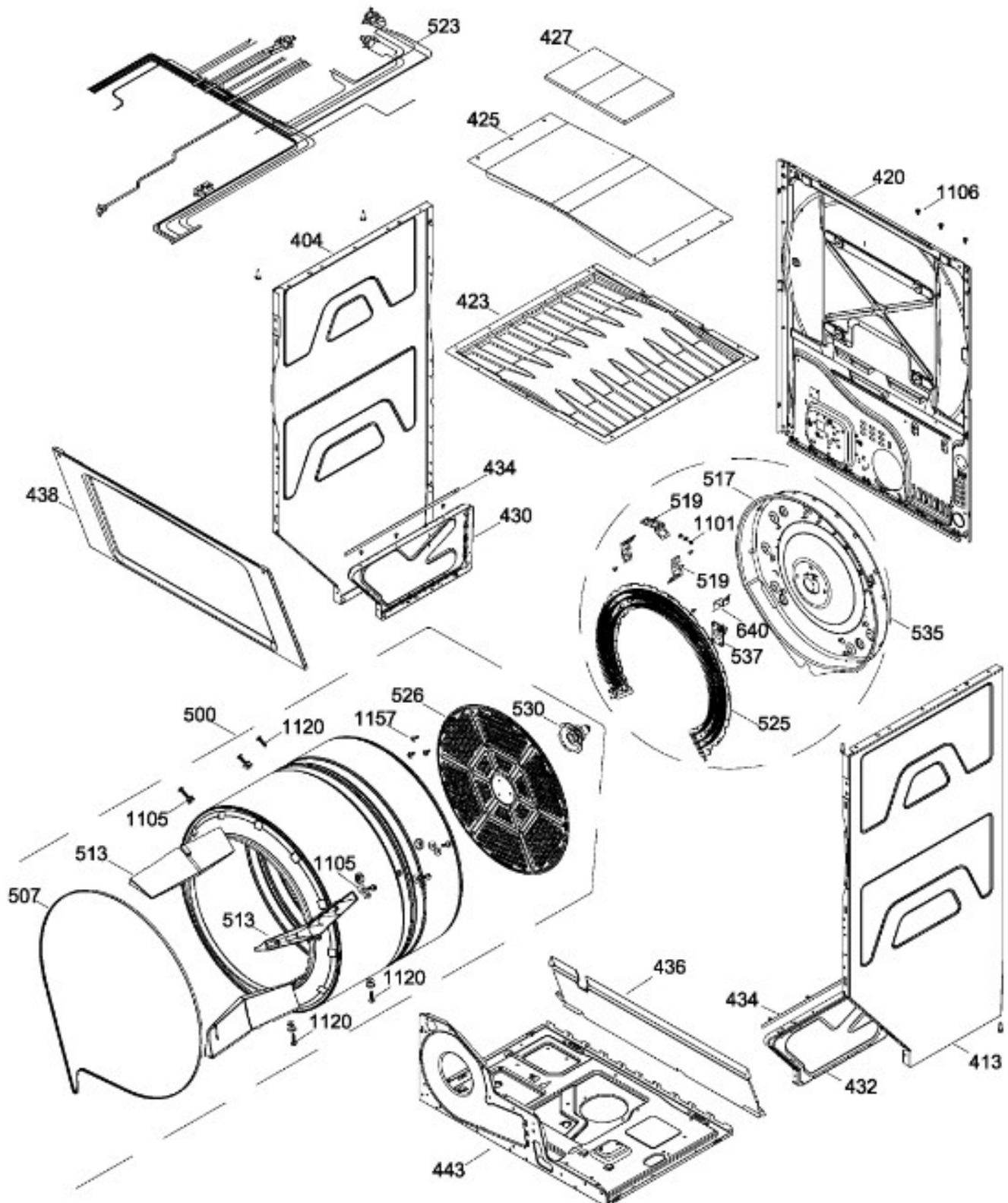
SurteRápido.com

Venta de Refacciones  
Electrodomesticas

C.L. GTUP270EM3WW

GABINETE Y TAMBOR SECADORA /CABINET & DRUM DRYER

GTUP270EM3WW



Distribuidor Autorizado

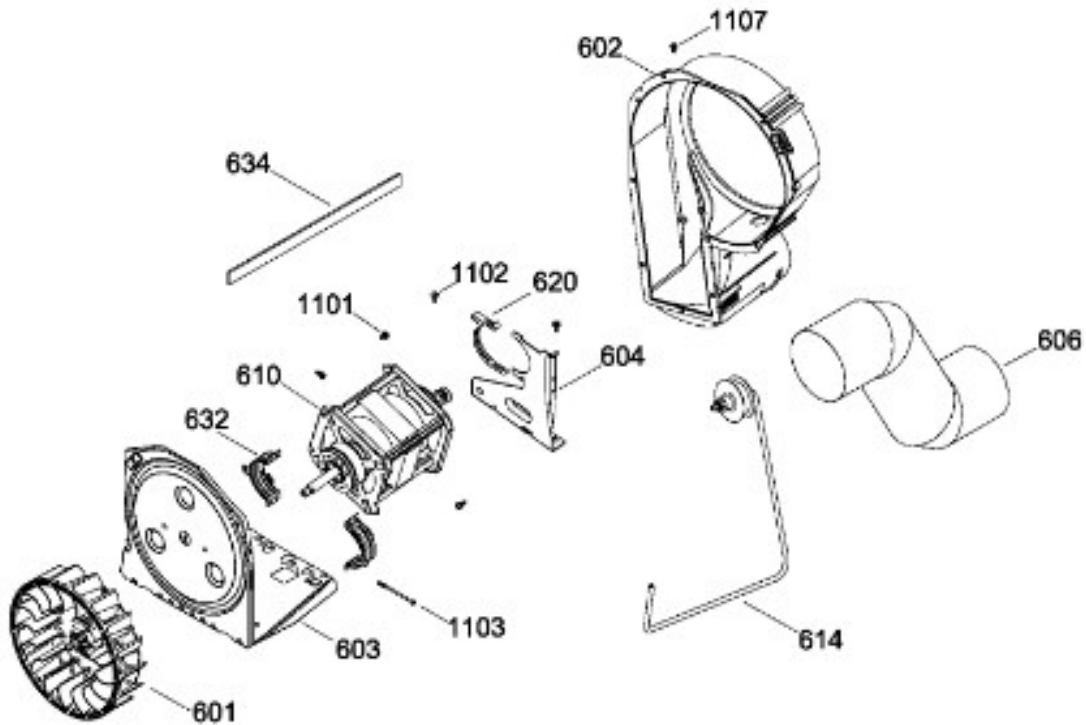
SurteRápido.com

Venta de Refacciones  
Electrodomesticas

# C.L. GTUP270EM3WW

SISTEMA DE TRANSMISION SEC / BLOWER & DRIVE ASSEMBLY DRYER

GTUP270EM3WW



Distribuidor Autorizado

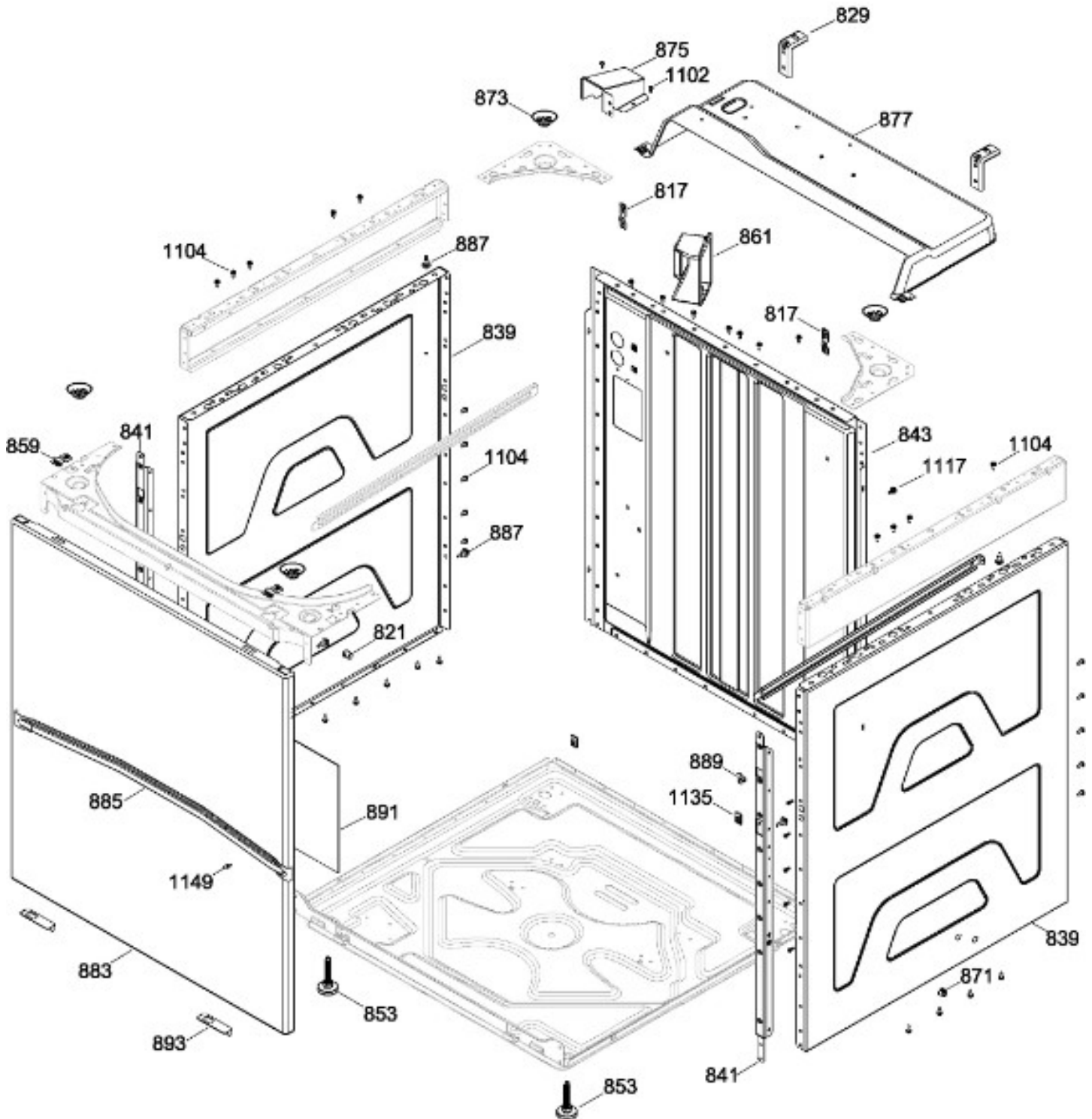
SurteRápido.com

Venta de Refacciones  
Electrodomesticas

C.L. GTUP270EM3WW

GABINETE LAV / WASHER CABINET

GTUP270EM3WW



Distribuidor Autorizado

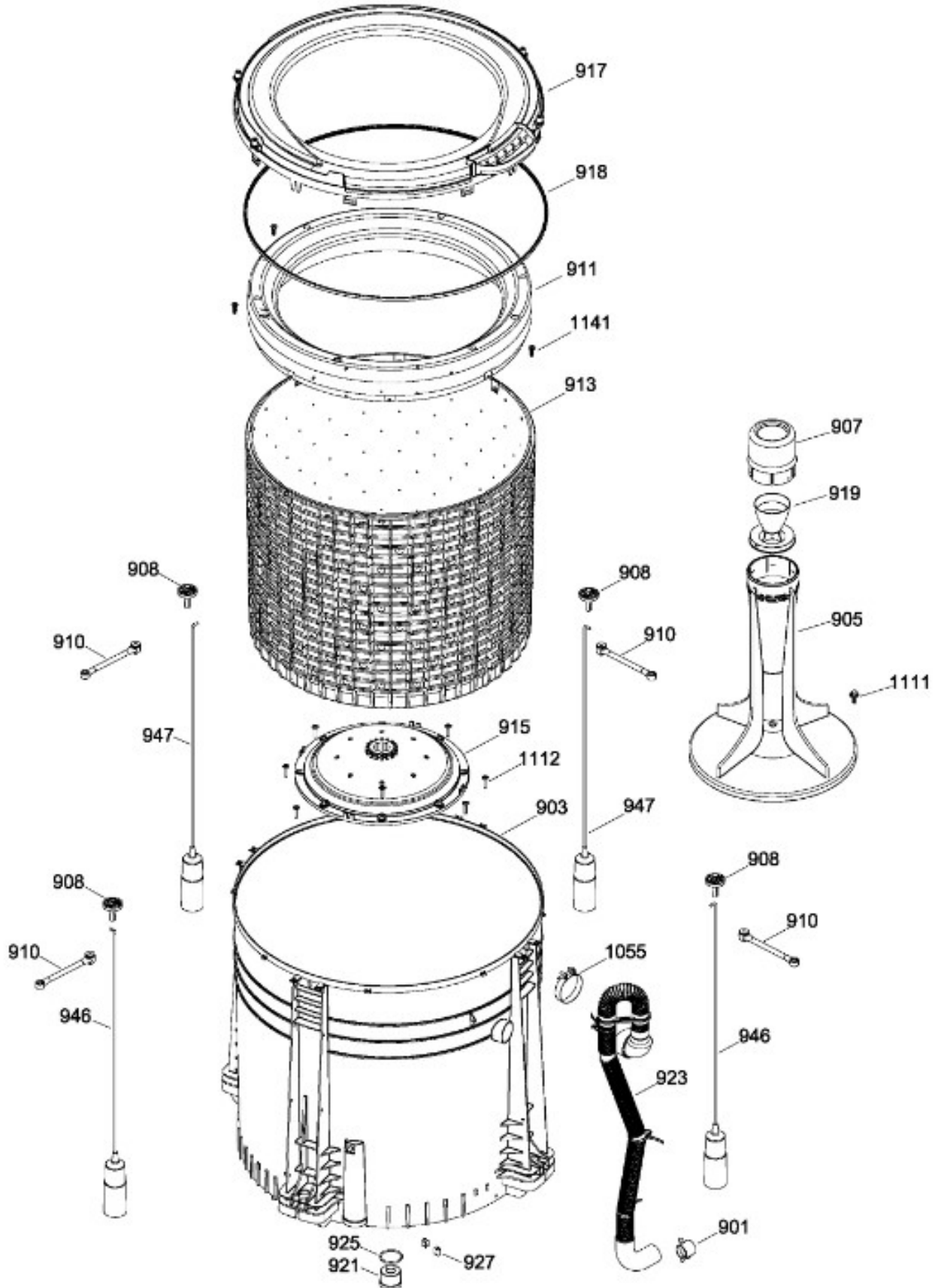
**SurteRápido.com**

Venta de Refacciones  
Electrodomesticas

**C.L. GTUP270EM3WW**

TINA LAVADORA / TUB WASHER

GTUP270EM3WW



Distribuidor Autorizado

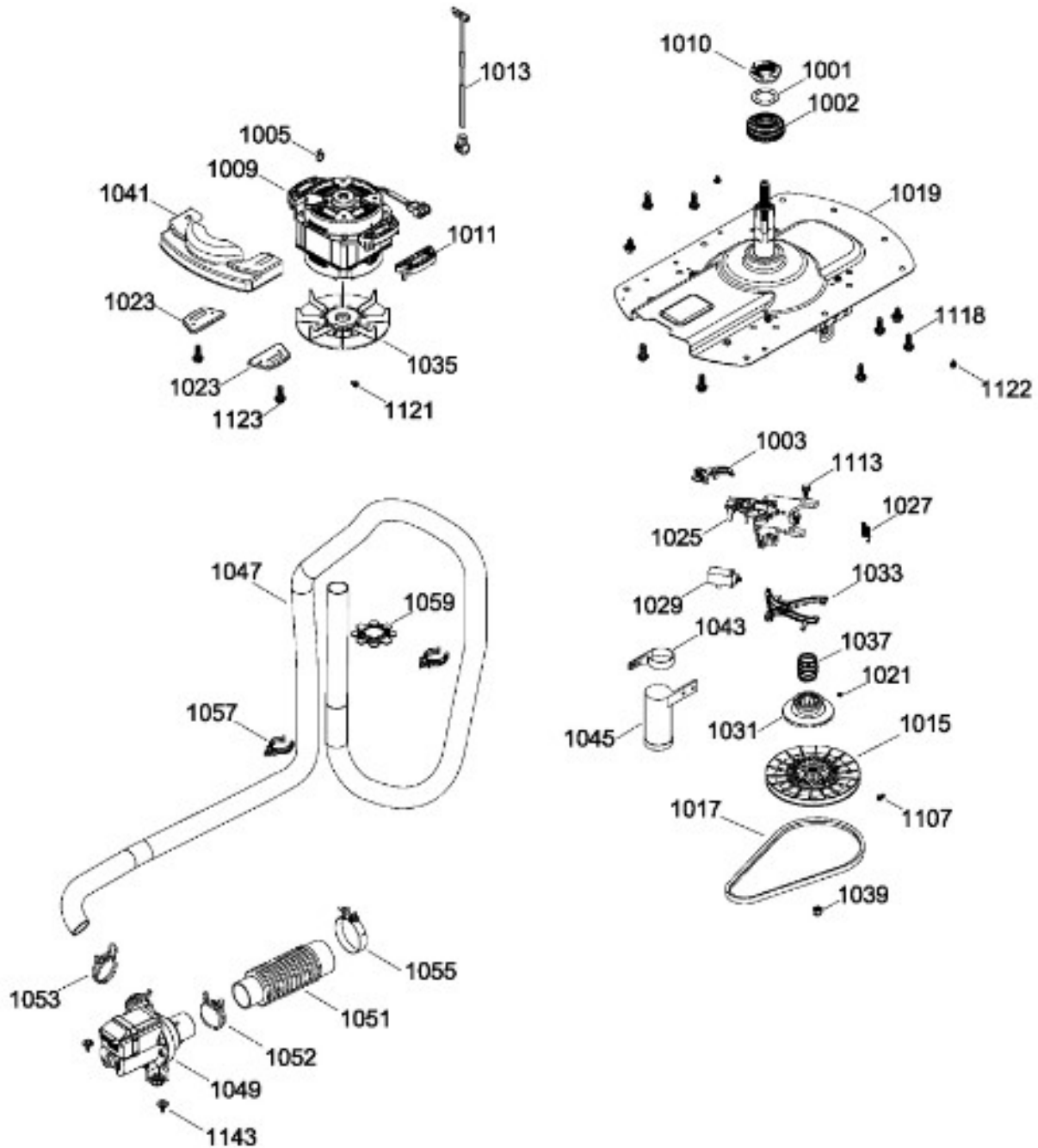
SurteRápido.com

Venta de Refacciones  
Electrodomesticas

# C.L. GTUP270EM3WW

SISTEMA MOTRIZ LAV / DRIVE COMPONENTS WASHER

GTUP270EM3WW



Distribuidor Autorizado

**SurteRápido.com**

Venta de Refacciones  
Electrodomesticas

**C.L. GTUP270EM3WW**

| Guía | Refacción  | Descripción                  |
|------|------------|------------------------------|
| 3    | WW03A00011 | BUJE BISAGRA                 |
| 7    | WW03L00042 | PERILLA ROTATORIA ENS.       |
| 8    | WW03L00040 | PERILLA CONTROL ENS.         |
| 9    | WW03A00059 | TOPE TAPA                    |
| 9    | WW03A00283 | TOPE TAPA                    |
| 12   | WW03F00146 | VALVULA CW47C                |
| 12   | WW03F00100 | VALVULA CW47C                |
| 12   | WW01F01881 | VALVULA CW 47C               |
| 15   | WW03L00026 | ENTRADA AGUA ENS.            |
| 16   | WW03F00073 | TERMISTOR ENS.               |
| 19   | WW03F00021 | BOTON INICIO ENS.            |
| 23   | WW02L00024 | INTERRUPTOR ARRANQUE         |
| 24   | WW03F00002 | ARNES EXTENSION ENS.         |
| 25   | WW02L00026 | MANGUERAS                    |
| 27   | WW03F00101 | PRESOSTATO ELECTRONICO       |
| 30   | WW03F00004 | ARNES PRINCIPAL LAVADORA ENS |
| 31   | WW03F00064 | RELOJ                        |
| 33   | WW03F00013 | ARNES UI ENS                 |
| 35   | WW03A00054 | SOPORTE CONTROLES            |
| 35   | WW03A00255 | SOPORTE CONTROLES            |
| 37   | WW03F00144 | ARNES FUSIBLE ENS            |
| 38   | WW03L00237 | CUBIERTA TERMINAL FUSIBLE    |
| 40   | WW02L00215 | PANEL CONTROL Y GRAFICOS ENS |
| 46   | WW01A00113 | ABRAZADERA MANGUERA          |
| 51   | WW03F00001 | ACTUADOR                     |
| 54   | WW03F00047 | SELECTOR PROGRAMA            |
| 63   | WW03L00238 | PROTECTOR TARJETA            |
| 66   | WW01L01153 | PORTA TARJETA                |
| 69   | WW02F00193 | TARJETA CONTROL              |
| 72   | WR01L06132 | BOTON SELECTOR               |
| 72   | WW01F00055 | BOTON SELECTOR               |
| 78   | WW03F00104 | ARNES PRESOSTATO ENS         |
| 81   | WW03F00105 | ARNES SELECTOR ENS           |
| 87   | WW01F00338 | SELECTOR 5 PROGRAMAS         |
| 99   | WW03F00016 | BLOCAPUERTA                  |



Distribuidor Autorizado

**SurteRápido.com**

Venta de Refacciones  
Electrodomesticas

**C.L. GTUP270EM3WW**

| <b>Guía</b> | <b>Refacción</b> | <b>Descripción</b>         |
|-------------|------------------|----------------------------|
| 105         | WW03L00006       | BISAGRA CUBIERTA           |
| 107         | WW03L00062       | ESPACIADOR PUERTA          |
| 114         | WW03L00015       | CUBIERTA LAVADORA          |
| 115         | WW03A00009       | BRACKET                    |
| 115         | WW03A00277       | BRACKET                    |
| 117         | WW03L00048       | TAPA LAVADORA              |
| 120         | WW03L00007       | BISAGRA CUBIERTA           |
| 137         | WW03F00044       | FUSIBLE                    |
| 139         | WW03F00107       | PORTA FUSIBLE              |
| 143         | WW03A00012       | CLIP CUBIERTA              |
| 145         | WW03A00055       | SOPORTE RESORTE            |
| 149         | WW03F00049       | MAGNETO                    |
| 153         | WW03A00033       | RESORTE CUBIERTA LAVADOR   |
| 155         | WW03F00031       | DESPACHADOR CLORO          |
| 155         | WW03F00031       | DESPACHADOR CLORO          |
| 175         | WW03L00037       | PARCHE IMPACTO             |
| 175         | WW03L00037       | PARCHE IMPACTO             |
| 199         | WW02A00123       | MANUAL DE USO Y CUIDADOS   |
| 200         | WW03L00031       | PANEL FRONTAL DIAMOND GREY |
| 200         | WW02A00228       | PANEL FRONTAL DIAMOND GREY |
| 201         | WW03F00042       | FILTRO                     |
| 201         | WW02F00617       | FILTRO                     |
| 202         | WW03L00044       | PUERTA INTERIOR            |
| 202         | WW03L00044       | PUERTA INTERIOR            |
| 206         | WW01L01169       | SELLO DUCTO RECOLECTOR     |
| 206         | WW03A00117       | SELLO DUCTO RECOLECTOR     |
| 207         | WW03L00043       | PUERTA EXTERIOR (BLANCO)   |
| 207         | WW03L00043       | PUERTA EXTERIOR (BLANCO)   |
| 208         | WW02L00016       | JALADERA PUERTA            |
| 208         | WW03L00411       | JALADERA PUERTA            |
| 210         | WW02L00199       | COJINETE SUP.              |
| 210         | WW01L01430       | COJINETE SUP.              |
| 211         | WW03F00034       | DUCTO RECOLECTOR           |
| 211         | WW02F00606       | DUCTO RECOLECTOR           |
| 211         | WW02F00606       | DUCTO RECOLECTOR           |

Distribuidor Autorizado

**SurteRápido.com**

Venta de Refacciones  
Electrodomesticas

**C.L. GTUP270EM3WW**

| <b>Guía</b> | <b>Refacción</b> | <b>Descripción</b>             |
|-------------|------------------|--------------------------------|
| 212         | WW02L00025       | INTERRUPTOR PUERTA             |
| 213         | WW03F00041       | FIELTRO DUCTO RECOLECTOR       |
| 215         | WW02A00033       | BEARING_SLIDE                  |
| 216         | WW02L00038       | BEARING_SLIDE                  |
| 217         | WW03F00532       | SELLO PUERTA                   |
| 218         | WW03F00010       | ARNES PUERTA                   |
| 219         | WW03L00047       | TAPA DUCTO                     |
| 220         | WW02A00004       | STRIKE                         |
| 222         | WW03A00053       | SOPORTE TOP BEARING            |
| 222         | WW02F00762       | SOPORTE TOP BEARING            |
| 231         | WW03A00041       | SELLO DE SALIDA                |
| 231         | WW03A00042       | SELLO DE SALIDA                |
| 237         | WW01F01169       | DUCTO RECOLECTOR ENS           |
| 246         | WW01L01171       | REFUERZO                       |
| 252         | WW01L01158       | SELLO CUBIERTA DUCTO RECOLECTO |
| 269         | WW03L00012       | CUBIERTA DUCTO RECOLECTOR      |
| 285         | WW02L00037       | LATCH ASM.                     |
| 297         | WW02L00028       | BISAGRA PUERTA                 |
| 404         | WW03L00033       | PANEL LATERAL                  |
| 413         | WW03L00034       | PANEL LATERAL                  |
| 420         | WW01L01170       | PANEL POSTERIOR                |
| 420         | WW03L00383       | PANEL POSTERIOR                |
| 423         | WW03L00036       | PANEL SUP.                     |
| 423         | WW03L00254       | PANEL SUP.                     |
| 425         | WW03L00063       | PROTECTOR SUPERIOR             |
| 427         | WW03F00108       | FOIL AISLANTE                  |
| 427         | WW01F01577       | FOIL AISLANTE                  |
| 429         | WW01F01126       | TERMINAL BLOCK                 |
| 430         | WW03A00051       | SOPORTE BASE CHASIS            |
| 432         | WW03A00050       | SOPORTE BASE CHASIS            |
| 434         | WW03A00042       | SELLO DE SALIDA                |
| 436         | WW03L00064       | DEFLECTOR DE CALOR             |
| 436         | WW01L01791       | DEFLECTOR DE CALOR             |
| 438         | WW03L00029       | PANEL DE ACCESO                |
| 443         | WW03L00239       | BASE CHASIS                    |

Distribuidor Autorizado

**SurteRápido.com**

Venta de Refacciones  
Electrodomesticas

**C.L. GTUP270EM3WW**

| <b>Guía</b> | <b>Refacción</b> | <b>Descripción</b>       |
|-------------|------------------|--------------------------|
| 443         | WW01L01172       | BASE CHASIS              |
| 443         | WW02L00491       | BASE CHASIS              |
| 453         | WW02A00119       | SOPORTE ANTI TENSION     |
| 500         | WW02L00022       | TAMBOR ALETAS ENS.       |
| 507         | WW02F00028       | BANDA SECADORA           |
| 507         | WW02F00854       | BANDA SECADORA           |
| 513         | WW03L00003       | ALETA                    |
| 513         | WW02F00851       | ALETA                    |
| 513         | WW02F00851       | ALETA                    |
| 517         | WW02L00021       | CUBIERTA CALENTADOR      |
| 517         | WW02L00021       | CUBIERTA CALENTADOR      |
| 519         | WW01A00442       | SOPORTE DE PROTECCION    |
| 523         | WW03F00110       | ARNES PRINCIPAL          |
| 525         | WW01F01127       | CALENTADOR ENS.          |
| 526         | WW02F00827       | DIFUSOR                  |
| 530         | WW02A00019       | ENS. SOPORTE BUJE        |
| 534         | WW02A00026       | EMPAQUE ESCAPE SOPLADOR  |
| 534         | WW02F00785       | EMPAQUE ESCAPE SOPLADOR  |
| 535         | WR01F02479       | CALENTADOR CUBIERTA ENS. |
| 537         | WW02A00005       | RETENEDOR RODAMIENTO     |
| 601         | WW01F01162       | VENTILADOR REDONDO       |
| 601         | WW02A00011       | VENTILADOR REDONDO       |
| 602         | WW02L00013       | CAJA DEL VENTILADOR      |
| 602         | WW02L00433       | CAJA DEL VENTILADOR      |
| 603         | WW01L01163       | BASE MOTOR               |
| 603         | WW01L01163       | BASE MOTOR               |
| 603         | WW02L00642       | BASE MOTOR               |
| 604         | WW02F00027       | SOPORTE MOTOR            |
| 606         | WW03F00033       | DUCTO ESCAPE             |
| 606         | WW02F00780       | DUCTO ESCAPE             |
| 610         | WW02F00015       | MOTOR POLEA ENS.         |
| 610         | WW03A00209       | MOTOR POLEA ENS.         |
| 614         | WW02A00008       | ENS. BRAZO AUXILIAR      |
| 614         | WW03F00350       | ENS. BRAZO AUXILIAR      |
| 620         | WW02F00031       | CLIP MOTOR               |

Distribuidor Autorizado

**SurteRápido.com**

Venta de Refacciones  
Electrodomesticas

**C.L. GTUP270EM3WW**

| <b>Guía</b> | <b>Refacción</b> | <b>Descripción</b>       |
|-------------|------------------|--------------------------|
| 632         | WW02F00003       | CORREA MOTOR             |
| 632         | WW02A00232       | CORREA MOTOR             |
| 640         | WW02F00833       | SOPORTE TIERRA ENS       |
| 817         | WW03A00014       | CLIP PANEL FRONTAL       |
| 817         | WW03A00254       | CLIP PANEL FRONTAL       |
| 821         | WW01L01164       | TAPON DE BOTON           |
| 821         | WW01L01164       | TAPON DE BOTON           |
| 829         | WW02A00014       | SOPORTE DE AJUSTE        |
| 839         | WW03L00035       | PANEL LATERAL            |
| 841         | WW03L00257       | REFUERZO LATERAL FRONTAL |
| 843         | WW02L00006       | PANEL POSTERIOR LAVADORA |
| 853         | WW03L00038       | PATA NIVELADORA          |
| 859         | WW03A00013       | CLIP CIERRE              |
| 861         | WW03L00050       | TAPA MANGUERA            |
| 871         | WW01L01166       | TAPON                    |
| 873         | WW03L00005       | BASE ROTULA              |
| 875         | WW03F00009       | CUBIERTA ARNES PRINCIPAL |
| 877         | WW02A00006       | SOPORTE ENTRADA DE AGUA  |
| 883         | WW03L00032       | PANEL FRONTAL BLANCO     |
| 885         | WW03L00045       | REFUERZO PANEL FRONTAL   |
| 887         | WW03A00028       | PERNO ALINEADOR          |
| 889         | WW01A00445       | CLIP DE TIERRA           |
| 891         | WW02F00025       | AISLANTE DE RUIDO        |
| 893         | WW02L00031       | CALZA NIVELADORA         |
| 901         | WW01A00068       | ABRAZADERA MANGUERA      |
| 903         | WW02L00004       | TINA                     |
| 905         | WW01L00096       | AGITADOR 7 KG            |
| 905         | WW01L00096       | AGITADOR 7 KG            |
| 905         | WW01L00096       | AGITADOR 7 KG            |
| 907         | WW03L00051       | TAPA FSD                 |
| 908         | WW01F00265       | ROTULA                   |
| 910         | WW01L01174       | LIGA DE SUSPENSION 27    |
| 911         | WW01L00949       | ENS. ANILLO BALANCEO     |
| 911         | WW01L01503       | ENS. ANILLO BALANCEO     |
| 913         | WW02L00216       | CANASTA                  |

Distribuidor Autorizado

**SurteRápido.com**

Venta de Refacciones  
Electrodomesticas

**C.L. GTUP270EM3WW**

| <b>Guía</b> | <b>Refacción</b> | <b>Descripción</b>            |
|-------------|------------------|-------------------------------|
| 915         | WW03L00027       | FONDO CANASTA                 |
| 915         | WW03L00027       | FONDO CANASTA                 |
| 915         | WW03L00027       | FONDO CANASTA CW24C           |
| 917         | WW02L00002       | CUBIERTA TINA 10 KG           |
| 917         | WW01A00713       | CUBIERTA TINA 10 KG           |
| 918         | WW01L00467       | SELLO CUBIERTA TINA           |
| 919         | WW01L00432       | COPA SUAVIZANTE AZUL          |
| 919         | WW01L00432       | COPA SUAVIZANTE AZUL          |
| 921         | WW01L00287       | TAPON CAJA PRESOSTATO         |
| 923         | WW03F00052       | MANGUERA                      |
| 925         | WW01F00277       | O-RING                        |
| 927         | WW01A00079       | CLIP TAPON PRESOSTATO         |
| 946         | WW03A00077       | ENS. VARILLA                  |
| 947         | WW03A00076       | ENS. VARILLA                  |
| 1001        | WW01A00080       | ARANDELA                      |
| 1002        | WW01L00471       | SELLO TINA                    |
| 1002        | WW02F00547       | SELLO TINA                    |
| 1003        | WW01A00046       | SOPORTE TARJETA               |
| 1003        | WW01F01172       | SOPORTE TARJETA               |
| 1003        | WW02F00224       | SOPORTE TARJETA               |
| 1005        | WW01A00006       | CINCHO ESPADA (BOMBA Y ARNES) |
| 1009        | WW03F00054       | MOTOR                         |
| 1010        | WW01A00048       | TUERCA AMAZ IZQ.              |
| 1011        | WW02F00018       | ESPACIADOR MOTOR              |
| 1013        | WW02F00017       | SENS.OR VELOCIDAD             |
| 1013        | WW01F01172       | SENS.OR VELOCIDAD             |
| 1013        | WW02F00224       | SENS.OR VELOCIDAD             |
| 1015        | WW01F00043       | POLEA TRANSMISION             |
| 1017        | WW01F00345       | BANDA UNIFICADA               |
| 1017        | WW01F00345       | BANDA UNIFICADA               |
| 1019        | WW03F00111       | TRANSMISION ENSAMBLE          |
| 1021        | WW01F00272       | OPRESOR POLEA                 |
| 1023        | WW01L00355       | REFUERZO MOTOR                |
| 1025        | WW01A00031       | SOPORTE HORQUILLA             |
| 1027        | WW01A00091       | RESORTE HORQUILLA             |

Distribuidor Autorizado

**SurteRápido.com**

Venta de Refacciones  
Electrodomesticas

**C.L. GTUP270EM3WW**

| <b>Guía</b> | <b>Refacción</b> | <b>Descripción</b>             |
|-------------|------------------|--------------------------------|
| 1029        | WW01F00263       | TERMOACTUADOR                  |
| 1031        | WW01F00015       | CAMBIADOR                      |
| 1031        | WW02F00796       | CAMBIADOR                      |
| 1033        | WW01A00029       | HORQUILLA CAMBIADOR            |
| 1035        | WW03F00060       | POLEA MOTOR ENSAMBLE           |
| 1037        | WW01A00053       | RESORTE CAMBIADOR              |
| 1039        | WW03A00072       | TUERCA POLEA MOTOR             |
| 1041        | WW02L00020       | PROTECTOR TINA                 |
| 1043        | WW01A00446       | CLIP CAPACITOR                 |
| 1045        | WW01F00342       | CAPACITOR                      |
| 1047        | WW02L00015       | MANGUERA                       |
| 1047        | WW03F00542       | MANGUERA                       |
| 1049        | WW02F00011       | BOMBA                          |
| 1051        | WW03F00053       | MANGUERA                       |
| 1052        | WW01A00094       | ABRAZADERA                     |
| 1053        | WW01A00447       | ABRAZADERA                     |
| 1055        | WW03A00002       | ABRAZADERA                     |
| 1057        | WW02A00021       | CLIP MANGUERA                  |
| 1059        | WW03A00058       | TOPE MANGUERA                  |
| 1101        | WW02A00030       | TORNILLO                       |
| 1101        | WW02A00211       | TORNILLO                       |
| 1102        | WW02A00029       | TORNILLO                       |
| 1102        | WW02A00211       | TORNILLO                       |
| 1103        | WW02A00032       | TORNILLO                       |
| 1104        | WW01A00097       | TORNILLO 8-18 X 7/16 AB FENIX  |
| 1105        | WW02A00002       | ARANDELA                       |
| 1106        | WW02A00027       | SCREW                          |
| 1107        | WS01A01415       | TORNILLO 8-18 AB IHW 3/8 SN    |
| 1108        | WW01A00448       | TORNILLO                       |
| 1108        | WW03A00092       | TORNILLO                       |
| 1109        | WW01A00449       | TO 2RNILLO 8-16B FLP .525 S ZN |
| 1110        | WW02A00121       | TORNILLO                       |
| 1111        | WW01A00067       | TORNILLO AGITADOR              |
| 1112        | WW01A00099       | TORNILLO FONDO CANASTA         |
| 1113        | WW01A00082       | TORNILLO SOPORTE               |

Distribuidor Autorizado

**SurteRápido.com**

Venta de Refacciones  
Electrodomesticas

**C.L. GTUP270EM3WW**

| <b>Guía</b> | <b>Refacción</b> | <b>Descripción</b>            |
|-------------|------------------|-------------------------------|
| 1115        | WW01A00450       | TORNILLO 8-18 AB 1/2          |
| 1116        | WW03A00103       | TORNILLO Y ARANDELA ENS       |
| 1117        | WW01A00452       | TORNILLO                      |
| 1118        | WW02A00024       | TORNILLO SOP BALERO-SOP PRINC |
| 1120        | WW02A00031       | TORNILLO                      |
| 1121        | WW01A00001       | TORNILLO                      |
| 1122        | WW01A00076       | TORNILLO SUJECION             |
| 1123        | WW01A00084       | TORNILLO                      |
| 1131        | WW02A00028       | TORNILLO                      |
| 1132        | WW02L00033       | ESPACIADOR ESPUMADO           |
| 1133        | WW01A00012       | CINCHO                        |
| 1135        | WW03A00073       | TUERCA RAPIDA                 |
| 1141        | WW01A00063       | TORNILLO                      |
| 1143        | WW01A00453       | TORNILLO SUJECION BOMBA       |
| 1145        | WW01A00438       | TORNILLO                      |
| 1145        | WW01A00449       | TORNILLO                      |
| 1147        | WW01A00439       | TORNILLO 6-32 MCH FLP 340 SS  |
| 1149        | WW03A00070       | TORNILLO TIERRA               |
| 1151        | WW03A00063       | TORNILLO                      |
| 1153        | WW01A00454       | TORNILLO 30 X 20 IA PP        |
| 1155        | WW01A00455       | TORNILLO                      |
| 1157        | WW01A00456       | TORNILLO #10                  |