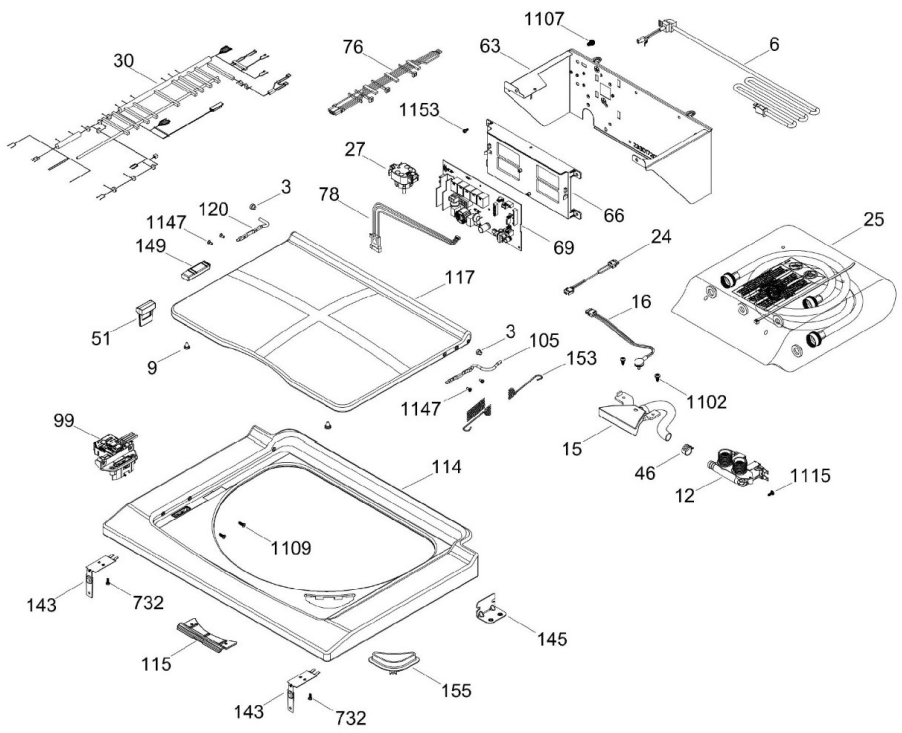
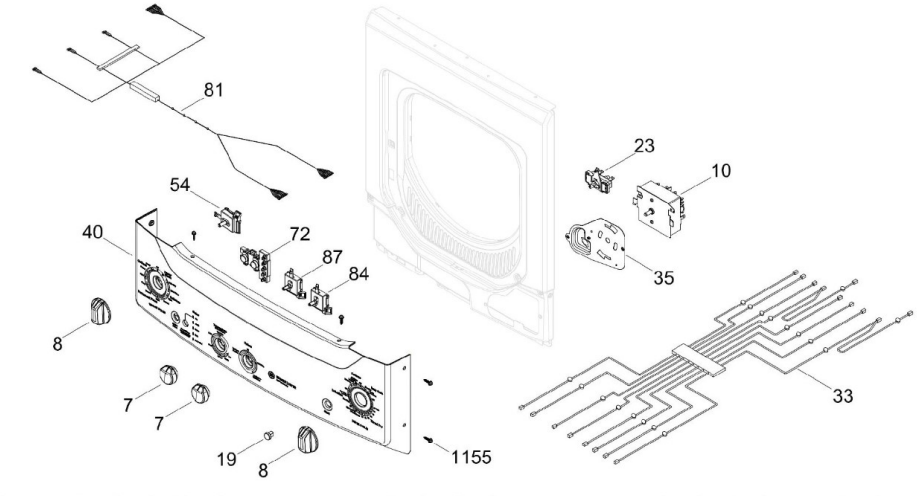


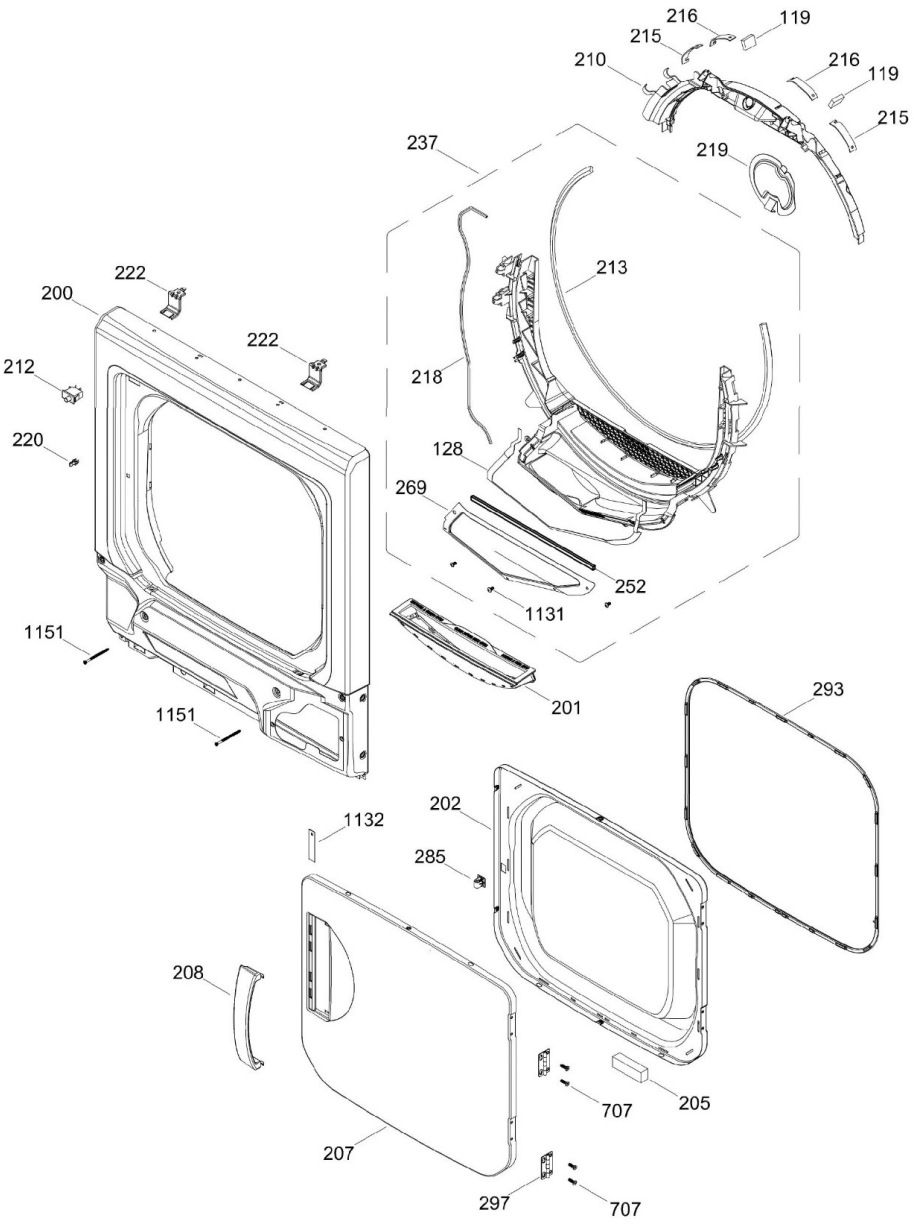
TAPA Y CONTROLES / LID AND CONTROLS

GTUP270GMWM01



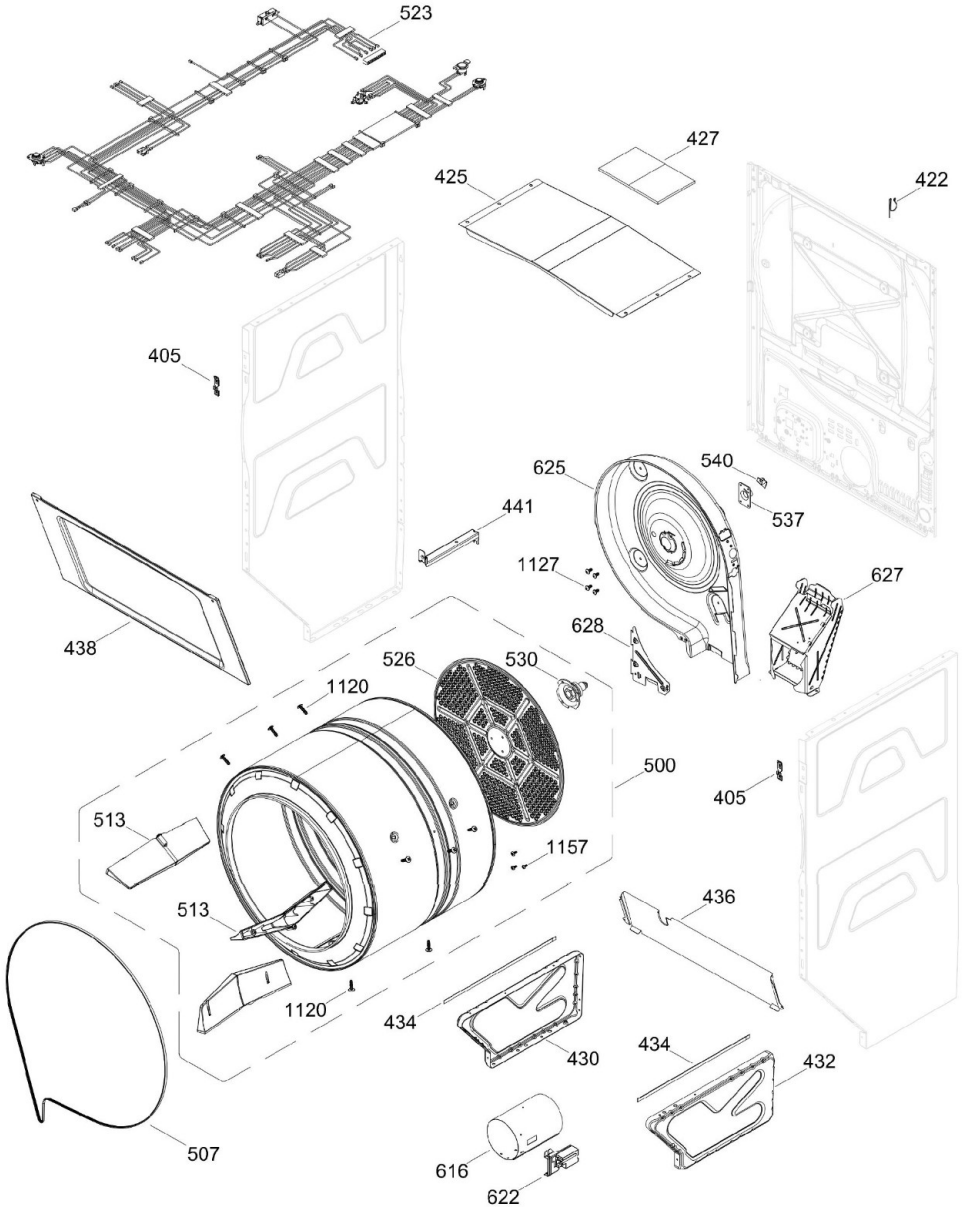
PUERTA SECADORA / DOOR DRYER

GTUP270GMWM01



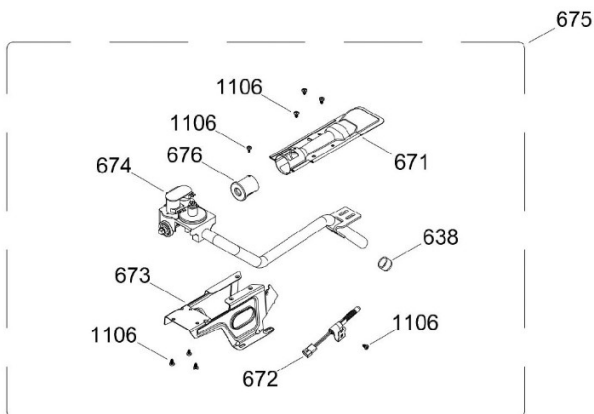
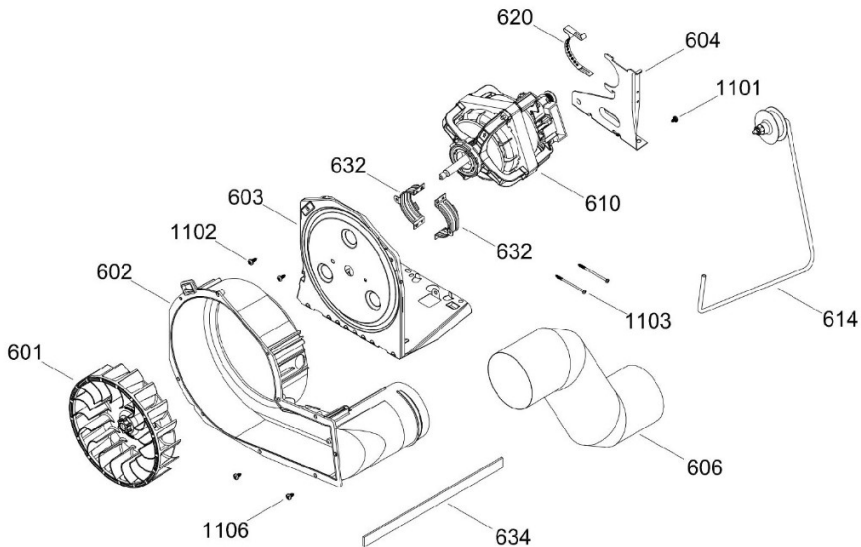
GABINETE Y TAMBOR SECADORA /CABINET & DRUM DRYER

GTUP270GMWM01



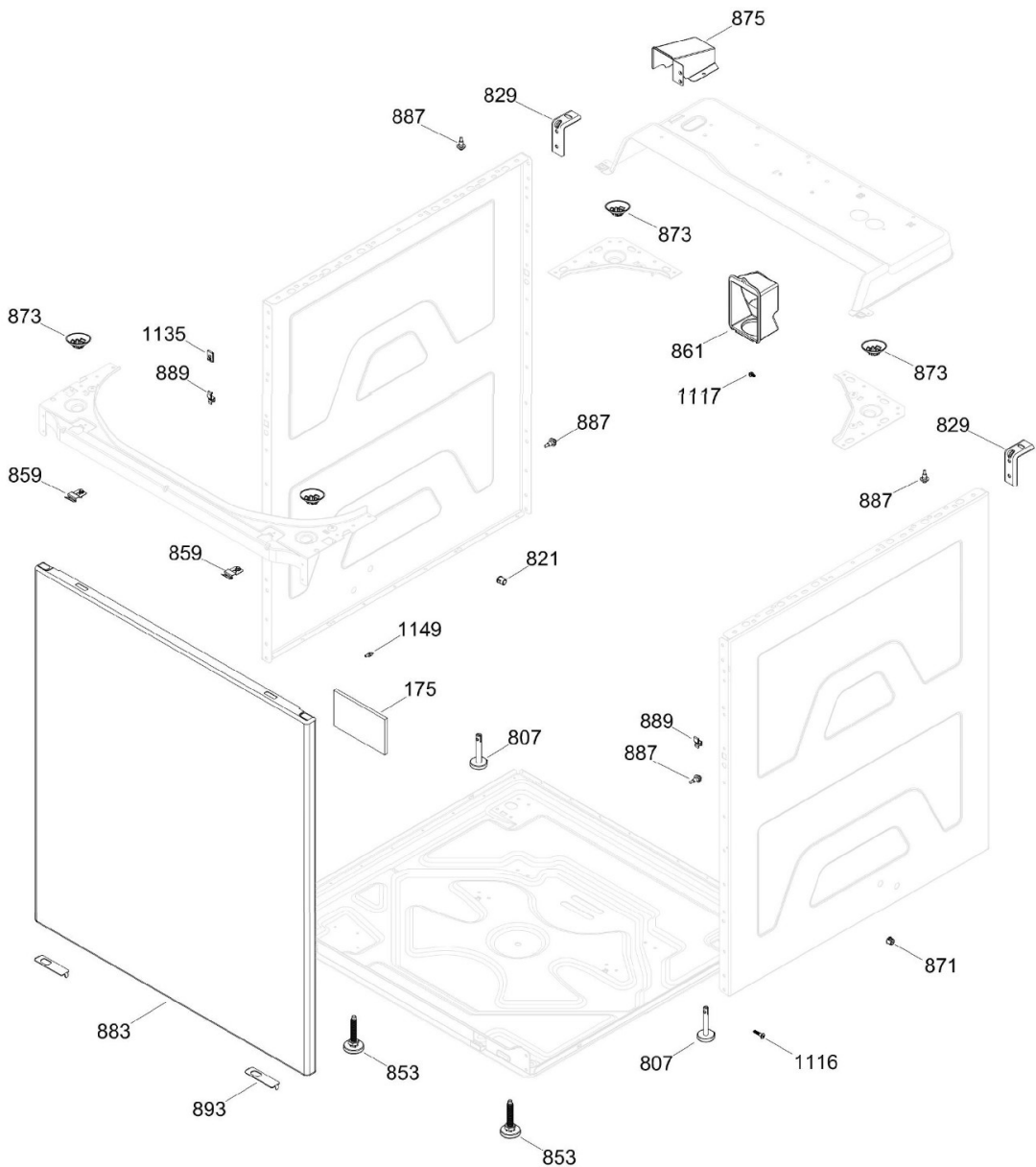
SISTEMA DE TRANSMISION SEC / BLOWER & DRIVE ASSEMBLY DRYER

GTUP270GMWM01



GABINETE LAV / WASHER CABINET

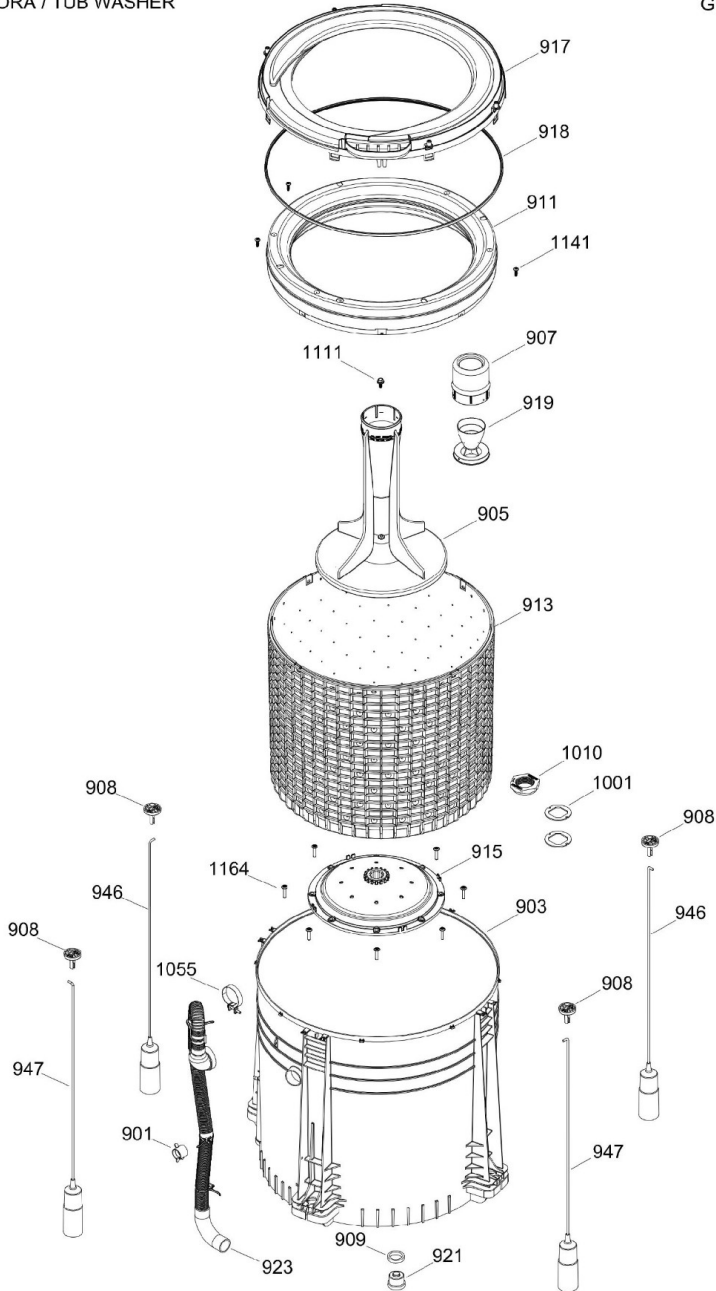
GTUP270GMWM01



C.L. Mabe GTUP270GMWM01

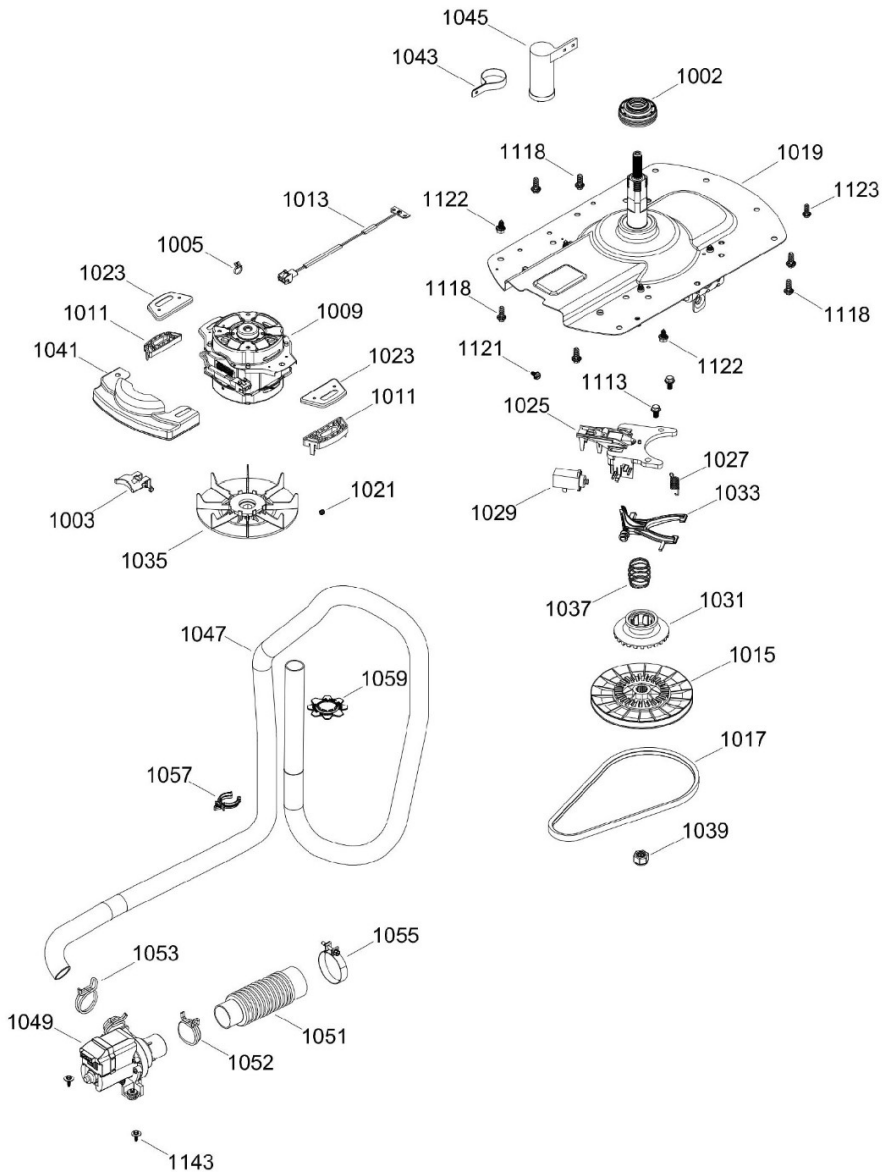
TINA LAVADORA / TUB WASHER

GTUP270GMWM01



SISTEMA MOTRIZ LAV / DRIVE COMPONENTS WASHER

GTUP270GMWM01





C.L. Mabe GTUP270GMWM01

Guía	Componente	Descripción
3	277B1069P001	BUJE BISAGRA
6	234D1205G001	CORDON TOMACORRIENTE
7	323B4096G002	PERILLA ROTATORIA ENSAMBLE
8	323B4095G003	PERILLA CONTROL ENSAMBLE
9	277B1079P001	TOPE TAPA
10	234D1296P017	RELOJ
12	189D5366P004	VALVULA CW 47C
12	189D5366P006	VALVULA CW 47C
15	228C2478G005	ENTRADA DE AGUA ENS
16	323B2667G001	TERMISTOR ENS.
19	323B4097G004	BUTTON AND CLIP ASM
23	248C1146P001	INTERRUPTOR ARRANQUE
24	277B1083G001	ARNES EXTENS.ION ENS.
25	253C1035G002	MANGUERAS
27	253C1117P001	PRESOSTATO ELECTRONICO
30	189D5034G002	ARNES PRINCIPAL ENS
33	189D7182G001	ENS. ARNES
35	228C2436P001	SOPORTE CONTROLES
35	228C2436P002	SOPORTE CONTROLES
40	234D1181G007	PANEL CONTROL AND HT ASM
46	277B1146P002	ABRAZADERA MANGUERA
51	228C2424P001	ACTUADOR
54	228C1256G006	SELECTOR PROGRAMA
63	233D1720P001	PROTECTOR TARJETA
66	228C1170P001	PORTA TARJETA
69	234D2417G002	TARJETA 27
72	189D2761G026	BOTON SELECTOR





C.L. Mabe GTUP270GMWM01

Guía	Componente	Descripción
76	234D2178G002	ARNES FUSIBLE ENSAMBLE
78	189D2101G006	ARNES PRESOSTATO ENS
81	189D5053G001	ARNES SELECTOR ENS
84	228C1256G009	SELECTOR SWITCH
87	228C1256G002	SELECTOR 5 PROGRAMAS
99	228C2426P001	BLOCAPUERTA
105	228C2425P001	BISAGRA CUBIERTA
114	189D5272P005	CUBIERTA LAVADORA
115	233D1537P001	BRACKET
117	189D5276P005	TAPA LAVADORA
119	364B7118P002	FIELTRO
119	364B7029P002	FIELTRO
120	228C2425P002	BISAGRA CUBIERTA
128	136B9174P203	SELLO
143	228C2470P001	CLIP CUBIERTA
145	253C1047P001	SOPORTE RESORTE
149	253C1064P001	MAGNETO
153	323B2598P001	RESORTE CUBIERTA LAVADOR
155	233D1264P001	DESPACHADOR CLORO
175	323B2646P001	PARCHE IMPACTO
175	323B2646P003	PARCHE IMPACTO
200	189D7082P005	PANEL FRONTAL DIAMOND GREY
200	234D2802G001	PANEL FRONTAL DIAMOND GREY
201	234D1031P002	FILTRO ATRAPAPELUSA
202	189D7120P003	PUERTA INT.
205	323B4001P005	ESPACIADRO DE PUERTA SOLIDA
207	189D7118P006	PUERTA EXTERIOR



C.L. Mabe GTUP270GMWM01

Guía	Componente	Descripción
208	228C2419P001	JALADERA PUERTA(BCO)
210	234D1978G003	ENS. COJINETE SUPERIOR
212	248C1157P001	INTERRUPTOR PUERTA
213	278B1436P001	FELPA COLECTOR DE AIRE
213	278B1436P002	FELPA COLECTOR DE AIRE
215	278B1139P001	COJINETE DESLIZABLE
216	278B1139P002	COJINETE DESLIZABLE
218	189D7183G002	ARNES PUERTA
219	228C4009P001	TAPA DUCTO
220	143B9304P001	STRIKE
222	323B4044P001	SOPORTE TOP BEARING
222	234D2614P001	SOPORTE TOP BEARING
237	189D7071G001	DUCTO RECOLECTOR ENS
252	323B4049P001	SELLO CUBIERTA DUCTO RECOLECTO
252	136B9174P203	SELLO CUBIERTA DUCTO RECOLECTO
269	234D1022P001	CUBIERTA DUCTO RECOLECTOR
285	364B6004G001	LATCH ASM.
293	189D7140P002	SELLO PUERTA
297	254C1041P001	BISAGRA PUERTA
405	323B4094P001	CLIP PANEL FRONTAL
405	323B4094P003	CLIP PANEL FRONTAL
422	267A3165P001	CORD SET RETAINER
425	234D1141P003	PROTECTOR SUPERIOR
427	234D2247P002	AISLANTE HOJA
430	189D7137P002	SOPORTE BASE CHASIS
432	189D7137P001	SOPORTE BASE CHASIS
434	323B4047P002	SELLO DE SALIDA

Guía	Componente	Descripción
436	234D1068P001	DEFLECTOR DE CALOR
436	234D1068P002	DEFLECTOR DE CALOR
438	189D5246P006	PANEL DE ACCESO
441	323B4098P002	REFUERZO
500	234D1004G002	TAMBOR ALETAS ENS.
500	234D1004G004	TAMBOR ALETAS ENS.
507	559C197P005	BANDA SECADORA
513	189D7127P001	ALETA
513	189D7127P002	ALETA
523	189D7112G004	ARNES ENSAMBLE PRIN
526	233D1581P003	DIFUSOR
530	248C1156G001	ENS. SOPORTE BUJE
537	161B3251P004	RETENEDOR RODAMIENTO
540	278B1309G002	SOPORTE TIERRA ENS
601	234D1593P001	VENTILADOR REDONDO
602	212D1503P006	CAJA DEL VENTILADOR
603	234D1526P004	BASE MOTOR
603	234D1526P001	BASE MOTOR
603	234D2653P001	BASE MOTOR
604	559C001P006	SOPORTE MOTOR
606	189D7078P001	DUCTO ESCAPE
606	189D7078P002	DUCTO ESCAPE
610	234D2414G002	MOTOR POLEA ENSAMBLE
614	189D7031G001	ENS. BRAZO AUXILIAR
614	189D7031G002	ENS. BRAZO AUXILIAR
616	228C4002P008	CAMARA DE COMBUSTION
620	717B299P001	CLIP MOTOR



C.L. Mabe GTUP270GMWM01

Guía	Componente	Descripción
622	109B8868G001	DETECTOR TERMOSTATO
625	234D1568P001	DIFUSOR DE GAS
627	189D7033P003	DUCTO DE TRANSICION
628	233D1583P003	PLATO DIFUSOR
632	123C7934P001	CORREA MOTOR
634	364B7029P001	EMPAQUE ESCAPE SOPLADOR
638	102A3160P174	TAPA
671	248C1176G001	QUEMADORES
672	123C7632G001	ALLUME-GAZ
672	248C1186P002	ALLUME-GAZ
673	234D1032P001	SOPORTE VALVULA DE GAS
674	254C1374G001	ENS. VALVULA Y TUBO GAS LP CL
675	189D7178G002	VALVULA QUEMADOR ENS.
676	540B336P002	CONTRA VENTANA
707	540B004P096	TORNILLO
732	278B1107P001	TORNILLO 6-16 B B1Q1 3/4
821	228C2484P001	TAPON DE BOTON
829	228C2407P001	SOPORTE DE AJUSTE
841	189D5587P001	REFUERZO LATERAL FRONTAL
853	277B1066P001	PATA NIVELADORA
859	228C2465P001	CLIP CIERRE
861	323B2659P002	TAPA MANGUERA
871	253C1049P001	TAPON
873	277B1050P001	BASE ROTULA
875	254C1000P001	CUBIERTA ARNES PRINCIPAL
883	189D5590P006	PANEL FRONTAL
885	228C2427P001	REFUERZO PANEL FRONTAL



C.L. Mabe GTUP270GMWM01

Guía	Componente	Descripción
887	228C2466P001	PERNO ALINEADOR
889	228C2467P001	CLIP DE TIERRA
893	277B1080P001	CALZA NIVELADORA
901	323B1408P001	ABRAZADERA MANGUERA
903	189D2668P004	TINA
905	189D2777P004	AGITADOR
907	189D1180P002	TAPA FSD
908	228C2372P001	ROTULA
909	277B1272P001	GASKET
911	189D1111G005	ARO DE BALANCE ENS
913	189D1163P002	CANASTA
915	189D3971P002	FONDO CANASTA
915	234D2501G001	FONDO CANASTA
917	189D1087P002	CUBIERTA TINA 10 KG
918	228C1177P002	SELLO TINA
919	189D1626P005	COPA SUAVISANTE FSD
921	228C2217P001	TAPON TUBO PRESOSTATO
921	228C2217P002	TAPON TUBO PRESOSTATO
923	233D1376P001	MANGUERA
946	189D3916G023	VARILLA ENSAMBLE
947	189D3916G024	VARILLA ENSAMBLE
1001	323B2127P002	ARANDELA PLANA NUEVA
1002	228C2451P003	SELLO TINA
1003	253C1058P001	SOPORTE TARJETA SENSOR
1005	143B9478P001	CINCHO ESPADA (BOMBA Y ARNES)
1009	189D5526G002	MOTOR
1010	228C2160P001	TUERCA AMAZ IZQ.



C.L. Mabe GTUP270GMWM01

Guía	Componente	Descripción
1011	253C1092P001	ESPACIADOR MOTOR
1013	253C1142P001	TARJETA SENSOR
1015	189D2652P001	POLEA TRANSMISION
1017	228C2115P003	BANDA UNIFICADA
1017	228C2115P004	BANDA UNIFICADA
1019	189D5234G010	SUPPORTS ASSEMBLY
1021	323B1279P002	OPRESOR POLEA
1023	323B2167P001	REFUERZO MOTOR
1025	189D3938P001	SOPORTE HORQUILLA
1027	323B2560P001	RESORTE HORQUILLA
1029	228C2329P001	TERMOACTUADOR
1031	189D2010P001	CAMBIADOR
1033	189D3937P001	HORQUILLA CAMBIADOR
1035	189D2645G012L	POLEA MOTOR ENSAMBLE
1037	228C2367P001	RESORTE CAMBIADOR
1039	323B2610P001	TUERCA POLEA MOTOR
1041	233D1088P001	PROTECTOR TINA
1043	228C1155P004	CLIP CAPACITOR
1045	228C1259P001	CAPACITOR
1047	228C2378G001	MANGUERA
1047	228C2378G002	MANGUERA
1049	228C2389P001	BOMBA
1051	228C2474P001	MANGUERA
1052	323B2665P002	ABRAZADERA
1053	323B2665P001	ABRAZADERA
1055	277B1026P001	ABRAZADERA
1057	253C1054P001	CLIP MANGUERA



C.L. Mabe GTUP270GMWM01

Guía	Componente	Descripción
1059	253C1073P001	TOPE MANGUERA
1101	540B006P020	TORNILLO
1101	278B1440P002	TORNILLO
1102	540B006P001	TORNILLO
1102	278B1440P002	TORNILLO
1103	540B006P046	TORNILLO
1106	540B004P002	SCREW
1107	8911201P259	TORNILLO 8-18 AB IHW 3/8 SN
1109	277B1126P001	TO 2RNILLO 8-16B FLP .525 S ZN
1111	323B1372P001	TORNILLO AGITADOR
1113	323B2148P001	TORNILLO SOPORTE
1115	278B1126P001	TORNILLO 8-18 AB 1/2
1116	253C1147G001	TORNILLO Y ARANDELA ENS
1117	277B1076P001	TORNILLO
1118	323B2094P002	TORNILLO SOP BALERO-SOP PRINC
1120	540B006P033	TORNILLO
1121	109B3403P052	TORNILLO
1122	323B2094P001	TORNILLO SUJECION
1123	323B2190P002	TORNILLO
1131	540B004P062	TORNILLO
1132	323B2599P001	ESPACIADOR ESPUMADO
1135	278B1175P001	TUERCA RAPIDA
1141	323B1193P001	TORNILLO
1143	277B1040P001	TORNILLO SUJECION BOMBA
1147	8911200P283	TORNILLO 6-32 MCH FLP 340 SS
1149	323B2660P001	TORNILLO TIERRA
1151	278B1094P001	TORNILLO



C.L. Mabe GTUP270GMWM01

Guía	Componente	Descripción
1153	323B2264P004	TORNILLO 30 X 20 IA PP
1155	323B4046P001	TORNILLO
1157	540B006P031	TORNILLO #10
1164	8911238P041	TORNILLO FONDO CANASTA