

Distribuidor Autorizado

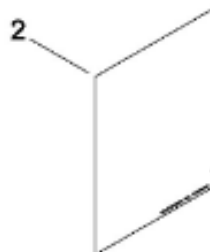
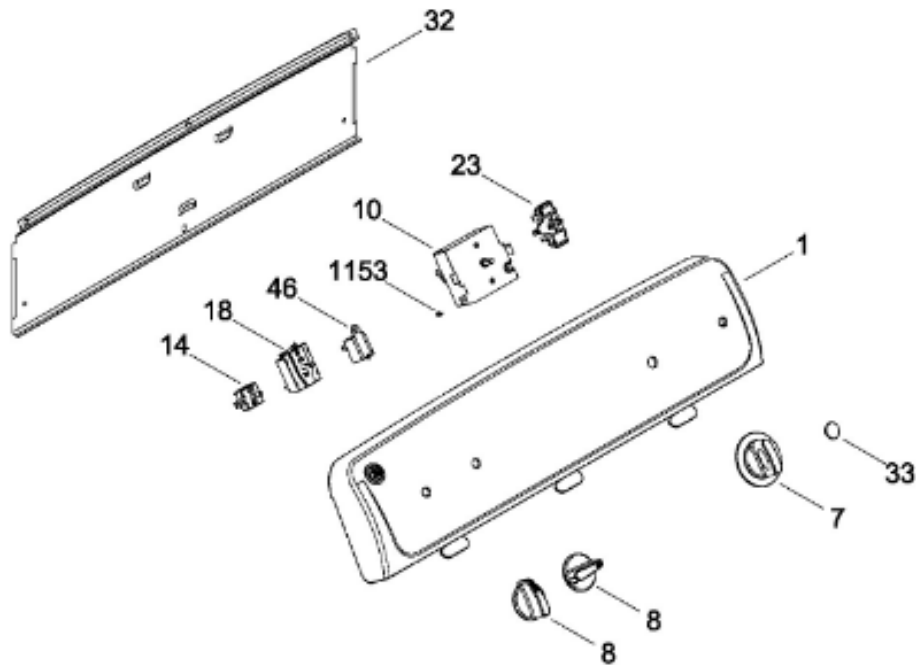
SurteRápido.com

Venta de Refacciones  
Electrodomesticas

# SECADORA GTX18ESMJ0WW

SISTEMA CONTROLES / CONTROL SYSTEM

GTX18ESBJ0WW  
GTX18ESMJ0WW



Distribuidor Autorizado

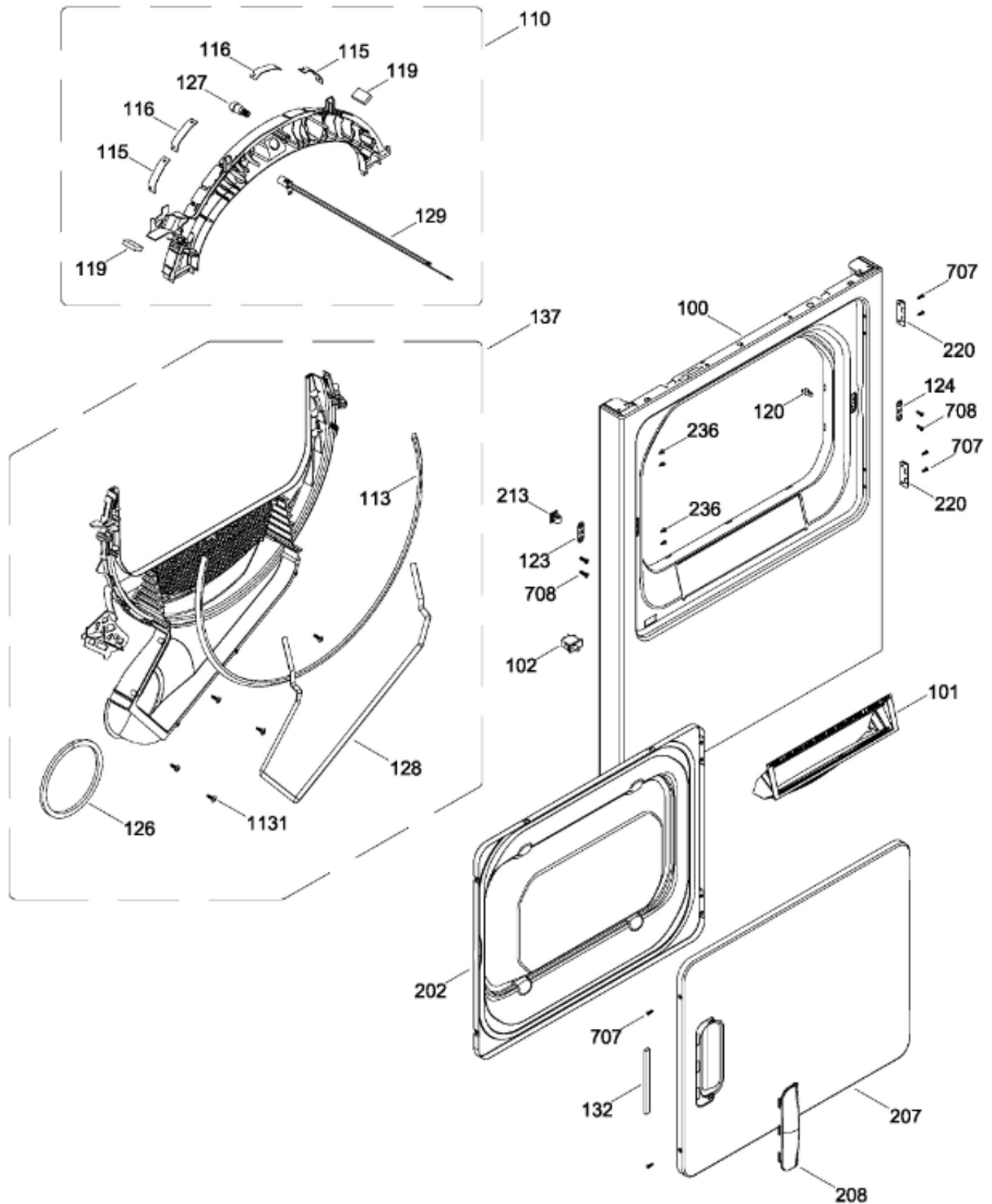
SurteRápido.com

Venta de Refacciones  
Electrodomesticas

# SECADORA GTX18ESMJ0WW

PANEL FRONTAL (ENS) / FRONT PANEL (ASM)  
PUERTA (ENS) / DOOR (ASM)

GTX18ESBJ0WW  
GTX18ESMJ0WW



Distribuidor Autorizado

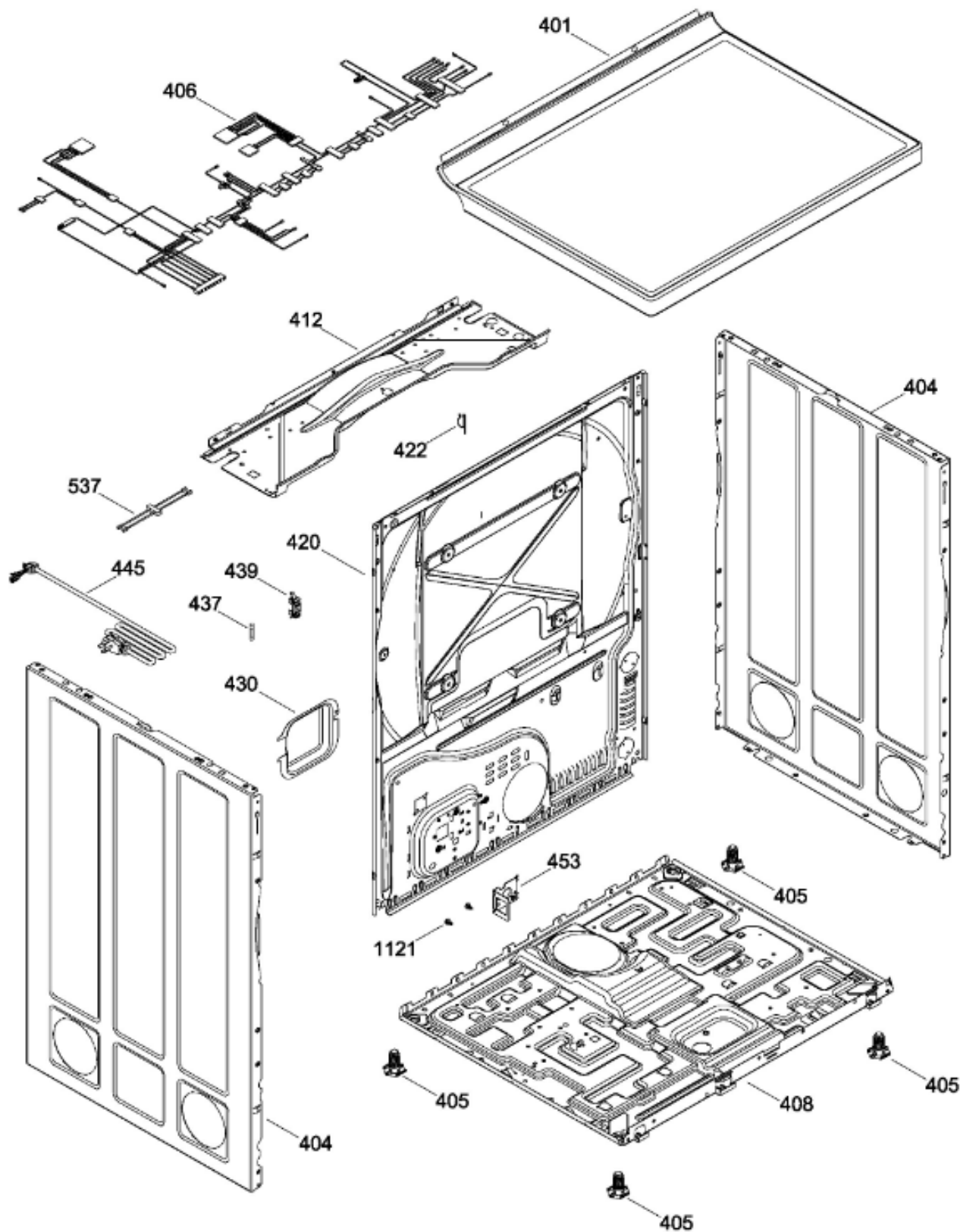
SurteRápido.com

Venta de Refacciones  
Electrodomesticas

# SECADORA GTX18ESMJ0WW

GABINETE / STRUCTURE

GTX18ESBJ0WW  
GTX18ESMJ0WW



Distribuidor Autorizado

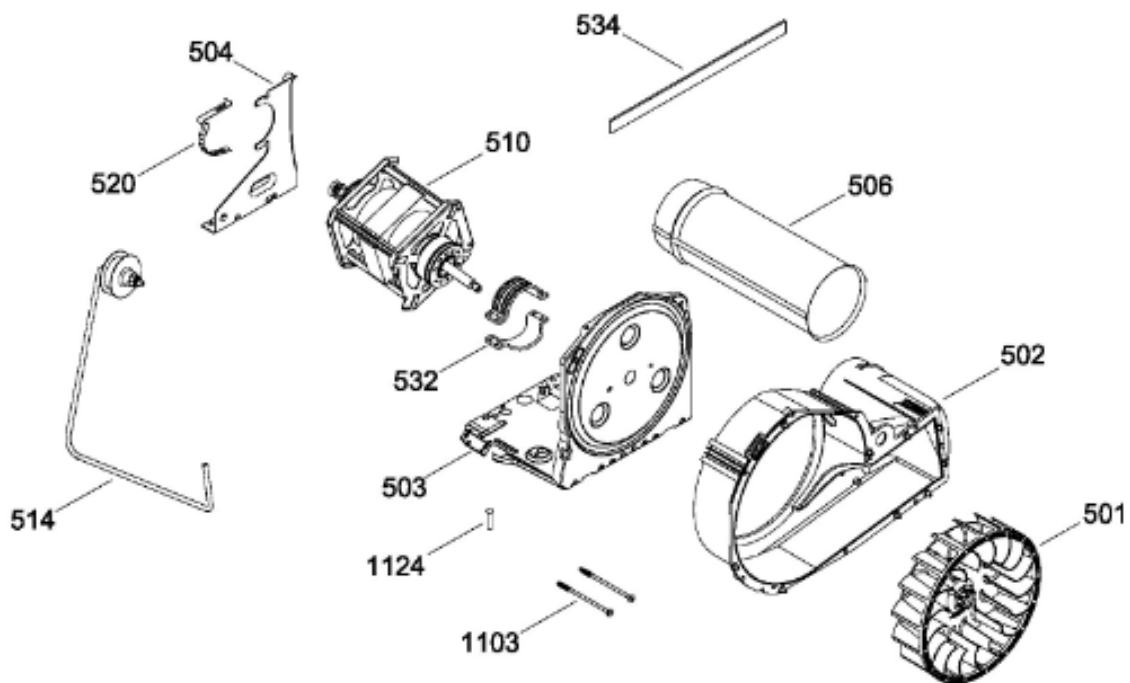
SurteRápido.com

Venta de Refacciones  
Electrodomesticas

# SECADORA GTX18ESMJ0WW

SISTEMA DE TRANSMISION (ENS) / BLOWER & DRIVE (ASM)

GTX18ESBJ0WW  
GTX18ESMJ0WW



Distribuidor Autorizado

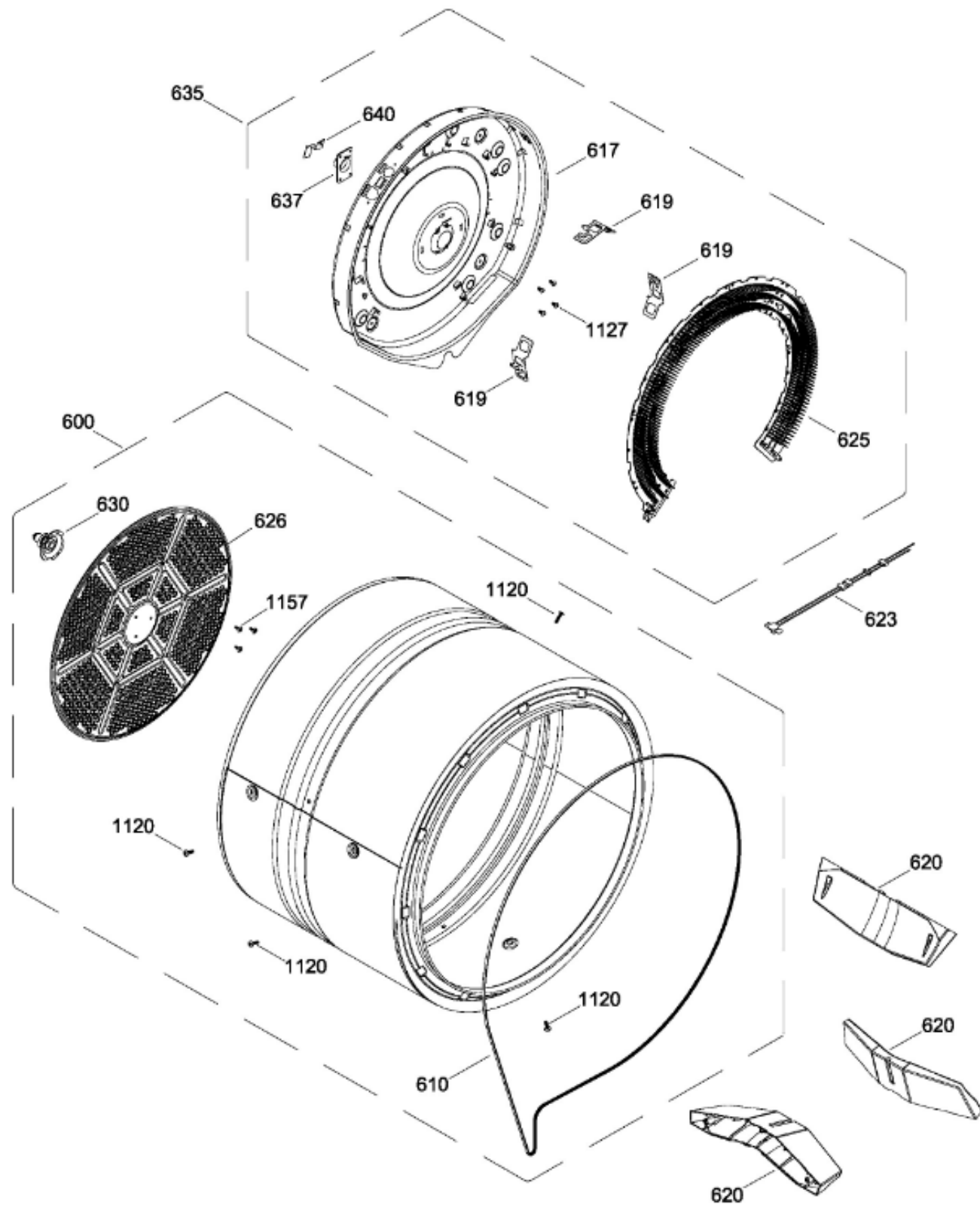
SurteRápido.com

Venta de Refacciones  
Electrodomesticas

# SECADORA GTX18ESMJ0WW

TAMBOR (ENS) / DRUM (ASM)

GTX18ESBJ0WW  
GTX18ESMJ0WW



Distribuidor Autorizado

**SurteRápido.com**

Venta de Refacciones  
Electrodomesticas



## SECADORA GTX18ESMJ0WW

| Guía | Refacción    | Descripción             |
|------|--------------|-------------------------|
| 1    | 234D2124G022 | COPETE GRAFICO ENS      |
| 2    | WW02A00179   | MANUAL DE USO Y CUIDADO |
| 7    | 234D2394G001 | PERILLA ENS             |
| 8    | 175D7149G001 | KNOB ROTARY ASM         |
| 10   | WW02F00286   | RELOJ                   |
| 14   | WW02L00081   | INTERRUPTOR ROTATORIO   |
| 18   | WW02L00425   | INTERRUPTOR ROTATORIO   |
| 23   | WW02L00024   | INTERRUPTOR ARRANQUE    |
| 32   | WW02L00152   | BACK PANEL              |
| 33   | WW03F00355   | BOTON Y CLIP ENSAMBLE   |
| 46   | WW03L00336   | TIMBRE VARIABLE         |
| 100  | WW03L00330   | PANELFRONTAL            |
| 101  | WW02L00080   | ENS. FILTRO MALLA       |
| 101  | WW02F00616   | ENS. FILTRO MALLA       |
| 102  | WW02L00025   | INTERRUPTOR PUERTA      |
| 110  | WW02A00158   | COJINETE SUPERIOR ENS   |
| 110  | WW02L00517   | COJINETE SUPERIOR ENS   |
| 113  | WW01L01329   | FELPA COLECTOR DE AIRE  |
| 113  | WW02F00783   | FELPA COLECTOR DE AIRE  |
| 113  | WW02F00783   | FELPA DUCTO RECOLECTOR  |
| 113  | WW02F00783   | FELPA DUCTO RECOLECTOR  |
| 113  | WW02F00783   | FELPA DUCTO RECOLECTOR  |
| 113  | WW02F00783   | FELPA DUCTO RECOLECTOR  |
| 113  | WW02F00783   | FELPA DUCTO RECOLECTOR  |
| 113  | WW02F00783   | FELPA DUCTO RECOLECTOR  |
| 115  | WW03A00015   | COJINETE DESLIZABLE     |
| 116  | WW03A00016   | COJINETE DESLIZABLE     |
| 116  | WW02A00250   | COJINETE DESLIZABLE     |
| 119  | WW02F00131   | FIELTRO                 |
| 119  | WW02F00784   | FIELTRO                 |
| 120  | WW02A00004   | STRIKE                  |
| 123  | WW02A00056   | STRIKE PLATE            |
| 124  | WW02A00057   | STRIKE PLATE            |
| 126  | WW02L00040   | GASKET FOAM             |
| 127  | WW03F00458   | LAMPARA                 |
| 128  | WW03F00354   | SELLO                   |

Distribuidor Autorizado

**SurteRápido.com**

Venta de Refacciones  
Electrodomesticas

## SECADORA GTX18ESMJ0WW

| Guía | Refacción  | Descripción                   |
|------|------------|-------------------------------|
| 129  | WW01F01584 | ENSAMBLE CLAVIJA              |
| 132  | WW02L00427 | SELLO                         |
| 137  | WW01F01585 | ENSAMBLE COLECTOR DE AIRE     |
| 137  | WW02F00590 | ENSAMBLE COLECTOR DE AIRE     |
| 202  | WW03L00333 | PUERTA INTERIOR ENSAMBLE      |
| 207  | WW03L00308 | PANELDEPUERTA                 |
| 208  | WW03L00310 | JALADERA PUERTA               |
| 208  | WW03L00310 | JALADERA PUERTA               |
| 213  | WW02L00037 | LATCH ASM.                    |
| 220  | WW02L00029 | BISAGRA                       |
| 220  | WW02L00028 | BISAGRA                       |
| 236  | WW02A00065 | BOTON BELLEZA                 |
| 401  | WW03L00302 | CUBIERTA SUPERIOR             |
| 404  | WW02L00269 | SIDE PANEL WHITE              |
| 405  | WW02L00244 | PATA NIVELADORA               |
| 406  | WW01F01586 | ARNES ELECTRICO ENSAMBLE      |
| 408  | WW03L00314 | BASECHASIS                    |
| 412  | WW03L00247 | CUBIERTA INFERIOR             |
| 420  | WW03L00292 | PANEL POSTERIOR               |
| 422  | WW02F00022 | CORD SET RETAINER             |
| 430  | WW02L00211 | CUBIERTA TERMINAL FUSIBLE     |
| 437  | WW03F00460 | FUSIBLE                       |
| 439  | WW03F00459 | PORTAFUSIBLE                  |
| 445  | WW03F00109 | CORDON TOMACORRIENTE(240V CA) |
| 453  | WW01A00535 | SOPORTE ANTI TENSION          |
| 501  | WW01F01162 | VENTILADOR REDONDO            |
| 502  | WW02L00422 | CUBIERTA VENTILADOR           |
| 503  | WW03L00293 | BASEMOTOR                     |
| 504  | WW02F00027 | SOPORTE MOTOR                 |
| 506  | WW01F01581 | DUCTODEESCAPE                 |
| 506  | WW02L00148 | DUCTODEESCAPE                 |
| 506  | WW02L00148 | CONDUCTO DE ESCAPE            |
| 510  | WW02F00015 | MOTOR POLEA ENS.              |
| 510  | WW03A00209 | MOTOR POLEA ENS.              |
| 514  | WW03F00350 | ENSAMBLE BRAZO TENSOR         |

Distribuidor Autorizado

**SurteRápido.com**

Venta de Refacciones  
Electrodomesticas



## SECADORA GTX18ESMJ0WW

| Guía | Refacción  | Descripción                    |
|------|------------|--------------------------------|
| 520  | WW02F00031 | CLIP MOTOR                     |
| 532  | WW02F00003 | CORREA MOTOR                   |
| 532  | WW02A00232 | CORREA MOTOR                   |
| 534  | WW02A00026 | EMPAQUE ESCAPE SOPLADOR        |
| 534  | WW02F00785 | EMPAQUE ESCAPE SOPLADOR        |
| 537  | WW03F00179 | ARNES PORTAFUSIBLE             |
| 600  | WW03F00414 | TAMBOR ENSAMBLE                |
| 610  | WW03F00351 | BANDA                          |
| 610  | WW02F00028 | BANDA                          |
| 610  | WW02F00854 | BANDA SECADORA                 |
| 617  | WW03L00152 | CUBIERTA CALENTADOR            |
| 617  | WW03L00152 | CUBIERTA CALENTADOR            |
| 619  | WW01A00442 | SOPORTE DE PROTECCION          |
| 620  | WW02L00421 | ALETA                          |
| 623  | WW01F01583 | ENSAMBLE ARNES                 |
| 625  | WW03F00180 | CALENTADOR ENS                 |
| 626  | WW02F00221 | DIFUSOR                        |
| 626  | WW02F00827 | DIFUSOR                        |
| 630  | WW02A00019 | SOPORTEYFLECHAENSAMBLE         |
| 635  | WW02F00468 | CALENTADOR Y CUBIERTA ENSAMBLE |
| 637  | WW02A00005 | RETENEDOR RODAMIENTO           |
| 640  | WW01A00443 | GROUND STRAP ASSEMBLY          |
| 640  | WW02F00833 | GROUND STRAP ASSEMBLY          |
| 707  | WW01A00539 | TORNILLO                       |
| 708  | WW02A00098 | SCREW                          |
| 708  | WW01A00539 | SCREW                          |
| 1103 | WW02A00032 | TORNILLO                       |
| 1120 | WW02A00031 | TORNILLO                       |
| 1121 | WW01A00001 | TORNILLO                       |
| 1124 | WW02A00070 | TORNILLO                       |
| 1127 | WW01A00521 | TORNILLO                       |
| 1127 | WW02A00211 | TORNILLO                       |
| 1131 | WW02A00028 | TORNILLO                       |
| 1153 | WW01A00454 | TORNILLO 30 X 20 IA PP         |
| 1157 | WW01A00456 | TORNILLO #10                   |