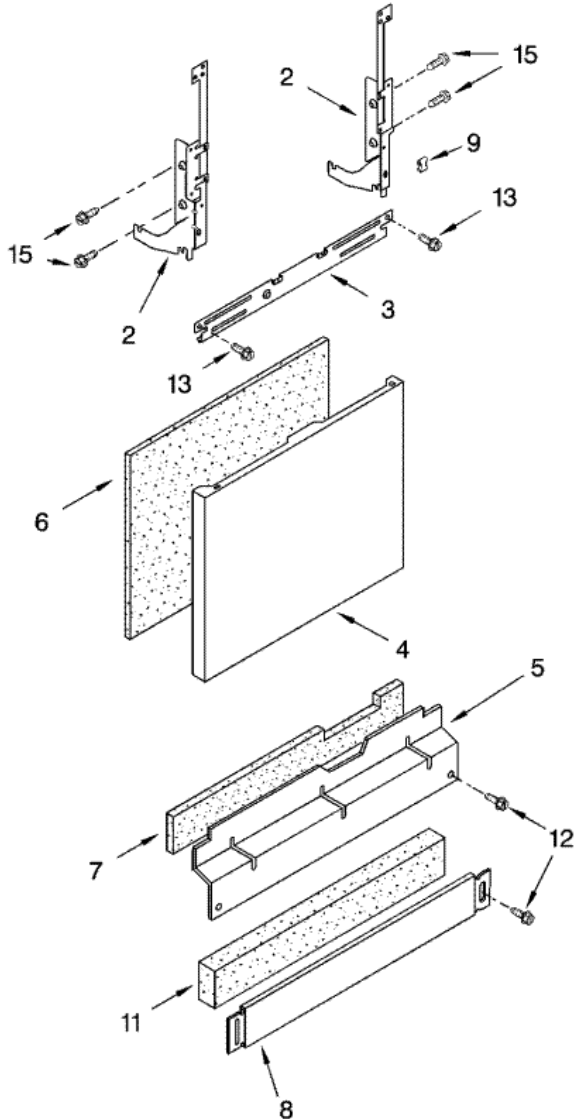


Distribuidor Autorizado

SurteRápido.com

Venta de Refacciones
Electrodomesticas

GU2400XTPS0 DOOR AND PANEL

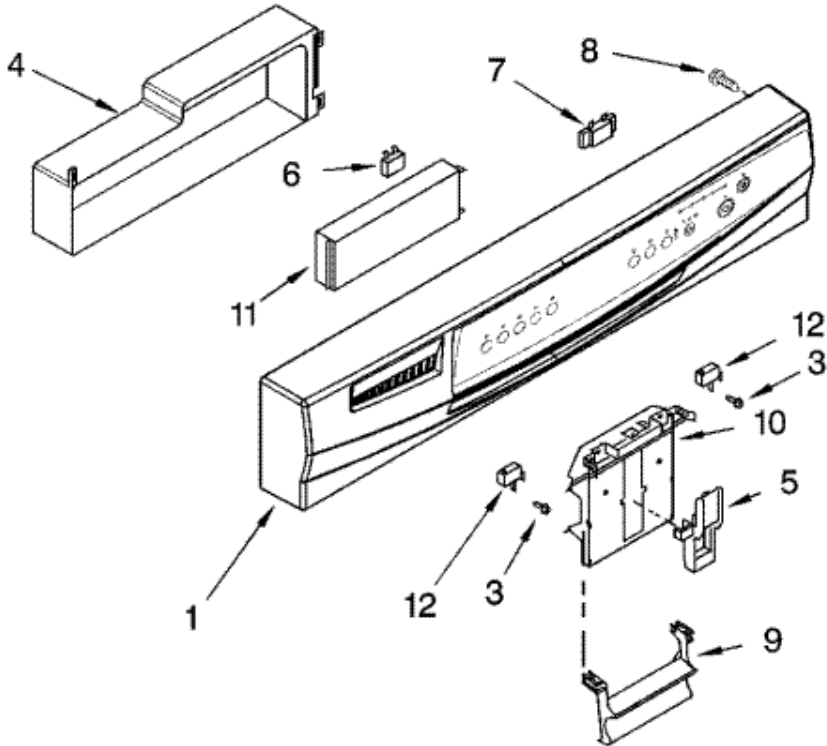




GU2400XTPS0 DOOR AND PANEL

| | | |
|----|---------|--------------------------------|
| 2 | 8534857 | ARM, HINGE (RIGHT) (S/P) |
| 2 | 8534858 | ARM, HINGE (LEFT) (S/P) |
| 3 | 8268983 | STIFFENER, DOOR10174 (S/P) |
| 4 | 8269841 | PANEL FRONT (BLACK) (S/P) |
| 4 | 8269842 | PANEL FRONT (WHITE) (S/P) |
| 4 | 8269844 | PANEL FRONT (BISCUIT) (S/P) |
| 4 | 8269845 | PANEL FRONT (STAINLESS) (S/P) |
| 5 | 8573255 | ACCESS PANEL (BLACK) (S/P) |
| 5 | 8573256 | ACCESS PANEL (WHITE) (S/P) |
| 5 | 8543840 | ACCESS PANEL (BISCUIT) (S/P) |
| 6 | 8268580 | INSULATION, DOOR (S/P) |
| 7 | 8268584 | INSULATION, ACCESS PANEL (S/P) |
| 8 | 8270026 | TOE PANEL (BLACK) (S/P) |
| 8 | 8270027 | TOE PANEL (WHITE) (S/P) |
| 8 | 8270028 | TOE PANEL (BISCUIT) (S/P) |
| 9 | 8269740 | CLIP, GROUNDING (S/P) |
| 11 | 8268581 | INSULATION, TOE PANEL (S/P) |
| 12 | 302868 | SCREW (BLACK) (S/P) |
| 12 | 3400836 | SCREW (WHITE) (S/P) |
| 12 | 3400865 | SCREW (BISCUIT) (S/P) |
| 13 | 343641 | SCREW (S/P) |
| 15 | 3369181 | SCREW (S/P) |

GU2400XTPS0 CONTROL PANEL

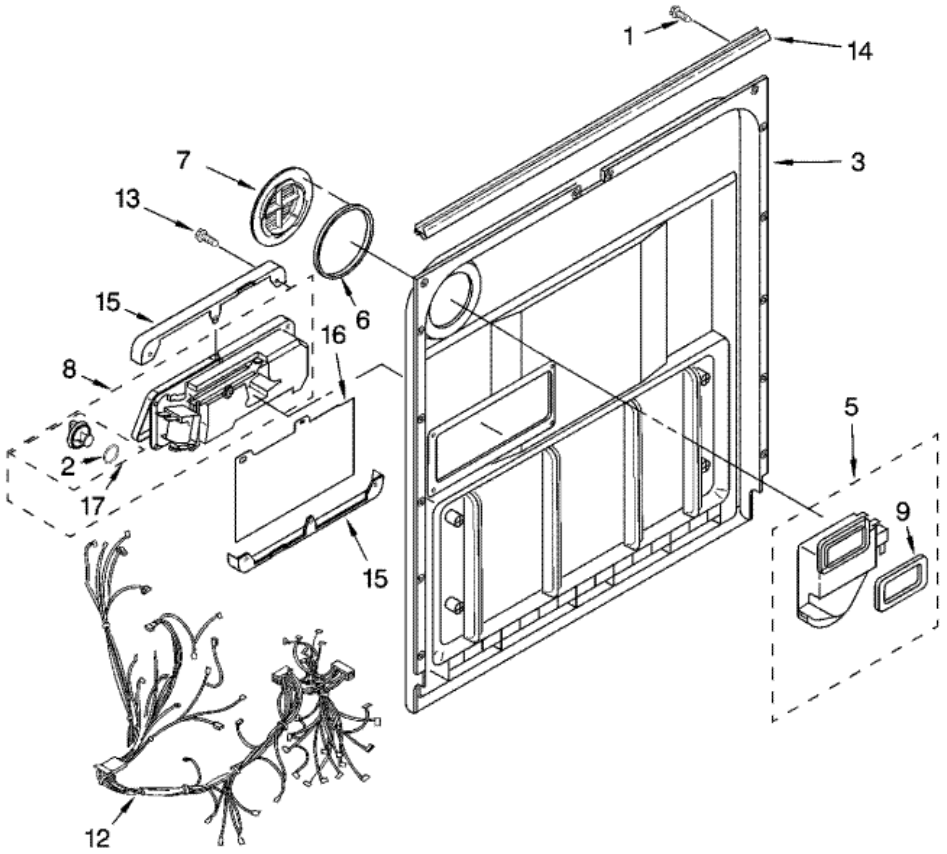




GU2400XTPS0 CONTROL PANEL

| | | |
|----|---------|-------------------------------------|
| 1 | 3385741 | CONSOLE ASM. (BLACK) (S/P) |
| 1 | 3385742 | CONSOLE ASM. (WHITE) (S/P) |
| 1 | 3385743 | CONSOLE ASM. (BISCUIT) (S/P) |
| 3 | 3400412 | SCREW (S/P) |
| 4 | 8283512 | COVER CONTROL SHIELD ASSEMBLY (S/P) |
| 5 | 8524471 | ACTUATOR, LATCH (S/P) |
| 6 | 8193762 | FUSE, THERMAL ELECTRONIC (S/P) |
| 7 | 8269206 | DISPLAY, DUAL DIGIT |
| 8 | 3369051 | SCREW (6) (S/P) |
| 9 | 8534984 | HANDLE, LATCH (BLACK) (S/P) |
| 9 | 8534985 | HANDLE, LATCH (WHITE) (S/P) |
| 9 | 8534986 | HANDLE, LATCH (BISCUIT) (S/P) |
| 10 | 8193882 | BOLT, LATCH (S/P) |
| 11 | 8564547 | CONTROL, ELECTRONIC (S/P) |
| 12 | 8269209 | SWITCH, DOOR (S/P) |

GU2400XTPS0 DOOR AND LATCH

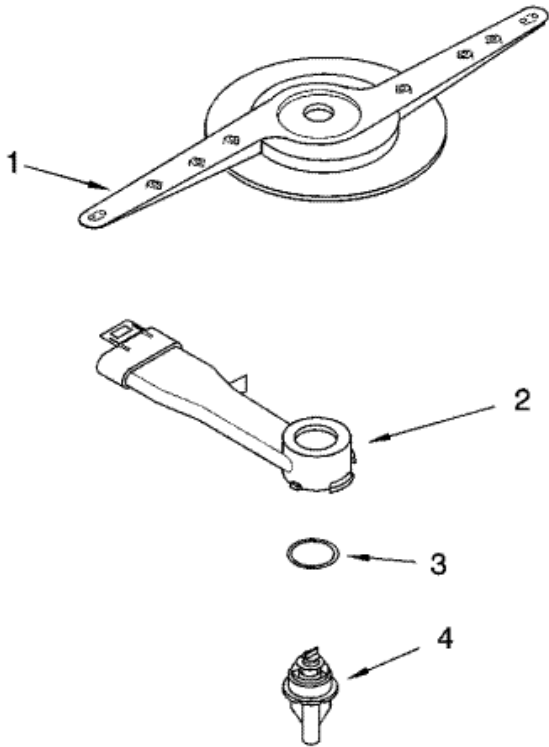




GU2400XTPS0 DOOR AND LATCH

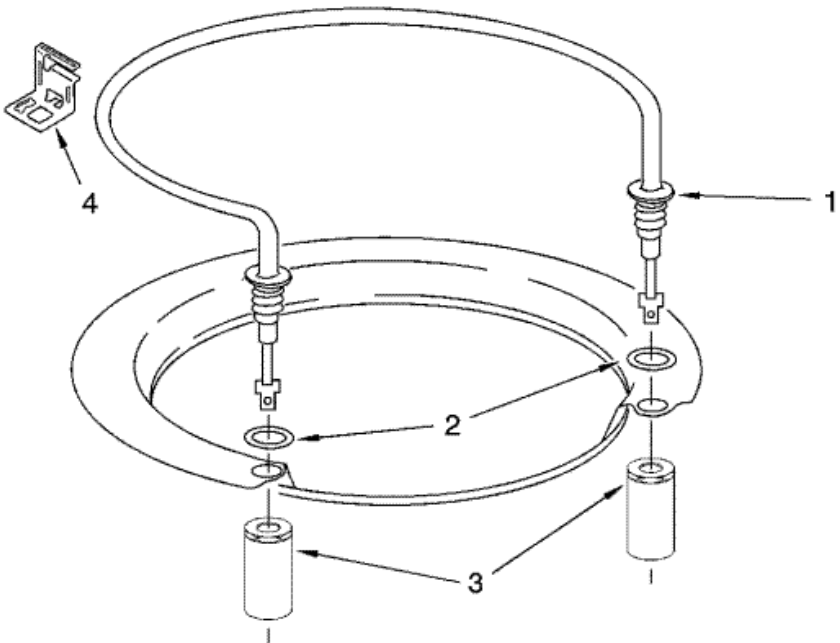
| | | |
|----|---------|--|
| 1 | 3369051 | SCREW, DOOR (S/P) |
| 2 | 8558307 | SEAL, CAP RINSE AID (S/P) |
| 3 | 8269311 | INNER DOOR (ALSO ORDER ITEM 6) (S/P) |
| 5 | 8545533 | VENT ASSEMBLY (ALSO ORDER ITEM 6) (S/P) |
| 6 | 8269259 | GASKET, VENT (S/P) |
| 7 | 8558991 | DEFLECTOR, VENT (ALSO ORDER ITEM 6) (S/P) |
| 8 | 8558129 | DISPENSER, ASSEMBLY (S/P) |
| 9 | 8269258 | SEAL, FRONT (S/P) |
| 12 | 8534931 | WIRING HARNESS MAIN (S/P) |
| 13 | 8281154 | SCREW (S/P) |
| 14 | 8269296 | SEAL, CONSOLE/DOOR (S/P) |
| 15 | 8535637 | BRACKET, DISPENSER (S/P) |
| 16 | 8531865 | SHIELD, DISPENSER (S/P) |
| 17 | 8558307 | CAP, RINSE AID (S/P) |

GU2400XTPS0 LOWER WASHARM



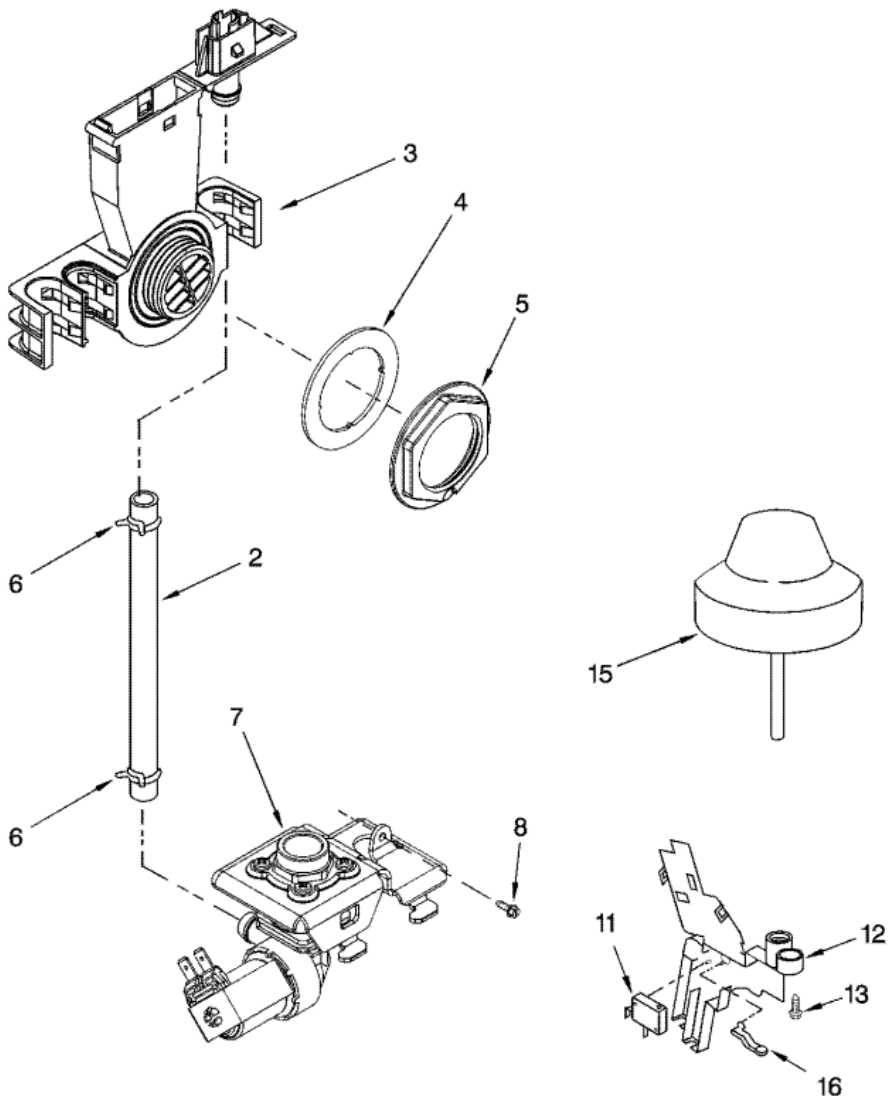
| | | |
|---|---------|-------------------------------|
| 1 | 8268332 | WASH ARM ASSEMBLY (S/P) |
| 2 | 8268317 | CAP, INTERNAL REAR FEED (S/P) |
| 3 | 8268340 | SEAL, SPRAYARM (S/P) |
| 4 | 8268342 | HUB, LOWER SPRAYARM (S/P) |

GU2400XTPS0 HEATER



| | | |
|---|---------|--|
| 1 | 8563464 | HEATER ELEMENT ASSEMBLY DESCONTINUADO |
| 2 | 717273 | WASHER, HEATER ELEMENT (S/P) |
| 3 | 8268548 | NUT, HEATER ELEMENT (S/P) |
| 4 | 8269262 | BRACKET, HEATER SUPPORT (S/P) |

GU2400XTPS0 FILL AND OVERFILL





GU2400XTPS0 FILL AND OVERFILL

| | | |
|----|---------|---|
| 2 | 8531412 | HOSE, INLET (S/P) |
| 3 | 8531325 | WATER INLET ASSEMBLY (S/P) |
| 4 | 8531323 | GASKET (S/P) |
| 5 | 8535151 | NUT, INLET (ALSO ORDER ITEM 4) (S/P) |
| 6 | 596669 | CLAMP, HOSE (S/P) |
| 7 | 8531670 | FILL VALVE ASSEMBLY (S/P) |
| 8 | 304392 | SCREW (S/P) |
| 11 | 8268909 | SWITCH, OVERFILL CONTROL (S/P) |
| 12 | 8545881 | STANDPIPE, OVERFILL (S/P) |
| 13 | 304231 | SCREW (S/P) |
| 15 | 8268913 | FLOAT & RETAINER ASSEMBLY (S/P) |
| 16 | 8268892 | LEVER, OVERFLOW SWITCH (S/P) |



GU2400XTPS0 TUB AND FRAME

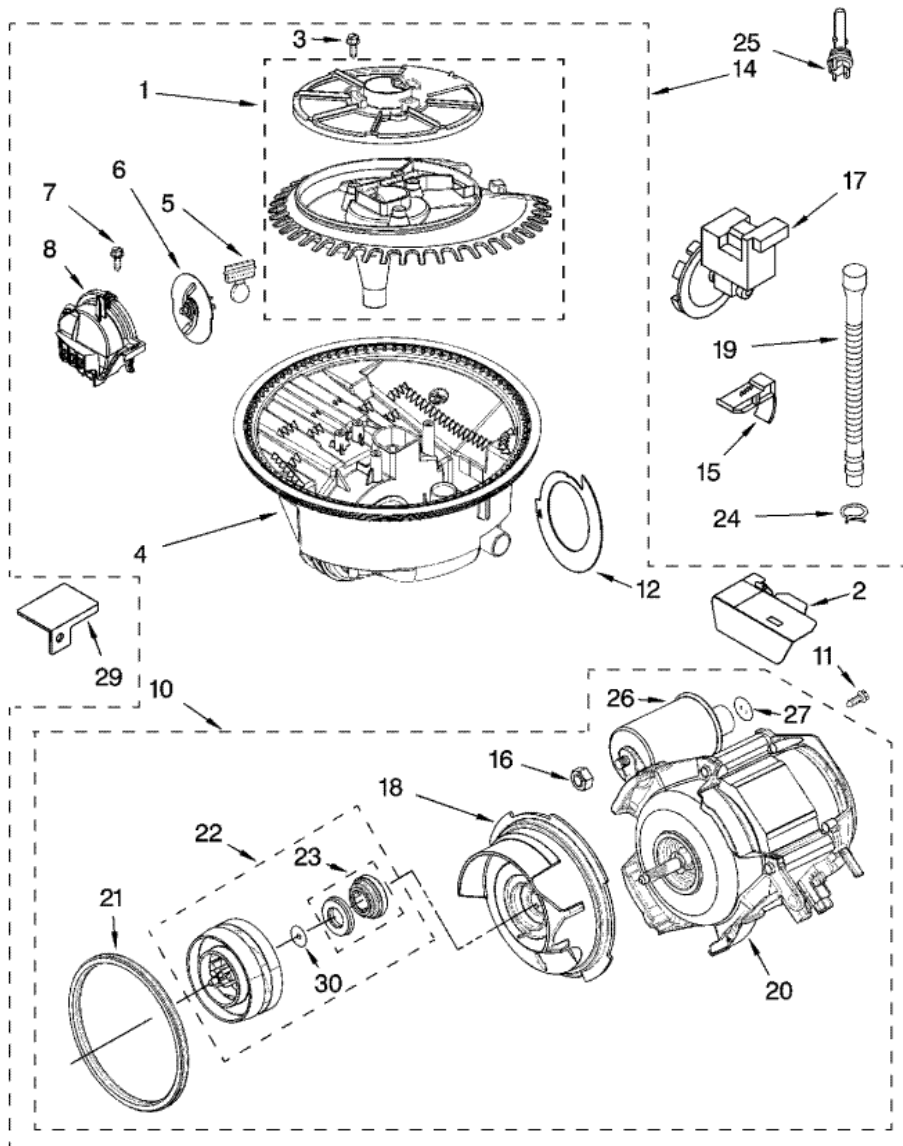
| | | |
|----|---------|-----------------------------------|
| 1 | 8535810 | TUB ASSEMBLY (S/P) |
| 3 | 8268888 | DOOR SEAL (S/P) |
| 5 | 8531022 | DRAIN LOOP WITH CHECK VALVE (S/P) |
| 8 | 8533836 | SCREW (8) (S/P) |
| 10 | 3400850 | SCREW (S/P) |
| 11 | 8269145 | BRACKET, UNDERCOUNTER (S/P) |
| 15 | 8269831 | WHEEL LEG (S/P) |
| 16 | 8193716 | LEVELER, LEG (S/P) |
| 18 | 8524473 | SPRING, DOOR BALANCE (S/P) |
| 19 | 8270016 | WHEEL & MOUNT ASSEMBLY (S/P) |
| 20 | 3400892 | SCREW (S/P) |
| 21 | 8268991 | COVER, TERMINAL BOX (S/P) |
| 23 | 8268961 | PAD, FRICTION (S/P) |
| 26 | 304231 | SCREW (S/P) |
| 27 | 8269016 | CLIP, GROUNDING (S/P) |
| 28 | 8573241 | SHIELD, SOUND TUB (S/P) |
| 29 | 3378595 | BRACKET, THERMOSTAT (S/P) |
| 30 | 661566 | THERMOSTAT (S/P) |
| 31 | 8269111 | STRIKE, LATCH (S/P) |
| 32 | 9741232 | SCREW (S/P) |
| 33 | 8268990 | BUSHING, DOOR SPRING (S/P) |
| 34 | 3378128 | WASHER (S/P) |
| 35 | 3400014 | SCREW (S/P) |
| 46 | 8542575 | SWITCH, PRESSURE (S/P) |
| 48 | 356138 | CLAMP, HOSE (S/P) |
| 50 | 8269297 | MISCELLANEOUS PARTS BAG (S/P) |

Distribuidor Autorizado

SurteRápido.com

Venta de Refacciones
Electrodomesticas

GU2400XTPS0 PUMP AND MOTOR





GU2400XTPS0 PUMP AND MOTOR

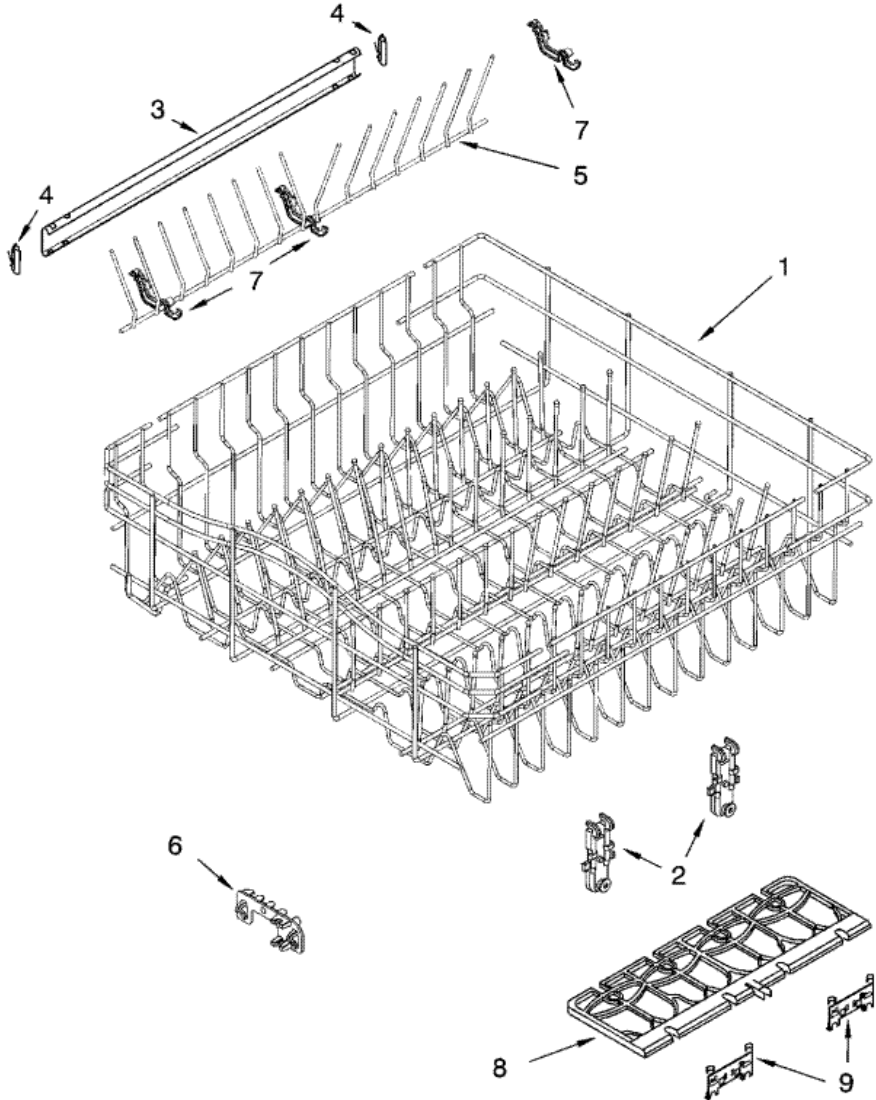
| | | |
|----|---------|---|
| 1 | 8193918 | ACCUMULATOR ASSY (S/P) |
| 2 | 8283527 | SHIELD, MOTOR (S/P) |
| 3 | 3400069 | SCREW (S/P) |
| 4 | 8534884 | SUMP WITH SEAL (S/P) |
| 5 | 8268375 | CHECK VALVE, SUMP (S/P) |
| 6 | 8268383 | CHOPPER ASSEMBLY (S/P) |
| 7 | 9741232 | SCREW (S/P) |
| 8 | 8531857 | PROTECTOR, INLET (S/P) |
| 10 | 8534942 | MOTOR ASSEMBLY (S/P) |
| 11 | 3400217 | SCREW (S/P) |
| 12 | 8268391 | SCREEN, SEPARATION (S/P) |
| 14 | 8535150 | SUMP & MOTOR ASSEMBLY (S/P) |
| 15 | 8269524 | TAB, SUMP (S/P) |
| 16 | 8533949 | NUT (S/P) |
| 17 | 661658 | PUMP, DRAIN (S/P) |
| 18 | 8531019 | VOLUTE, BACK (ALSO ORDER ITEM 23) (S/P) |
| 19 | 8269144 | HOSE, DRAIN (S/P) |
| 20 | 8572617 | MOTOR (S/P) |
| 21 | 8268397 | SEAL, VOLUTE (S/P) |
| 22 | 8193951 | IMPELLER KIT (S/P) |
| 23 | 8193510 | FACE SEAL ASSEMBLY (S/P) |
| 24 | 356138 | CLAMP, HOSE (S/P) |
| 25 | 8269208 | THERMISTER (S/P) |
| 26 | 8572617 | CAPACITOR (S/P) |
| 27 | 8534946 | SHIELD, CAPACITOR (S/P) |
| 29 | 8269501 | SHIELD, PRESSURE SWITCH (S/P) |
| 30 | 8531018 | WASHER (S/P) |

Distribuidor Autorizado

SurteRápido.com

Venta de Refacciones
Electrodomesticas

GU2400XTPS0 UPPER RACK AND TRACK

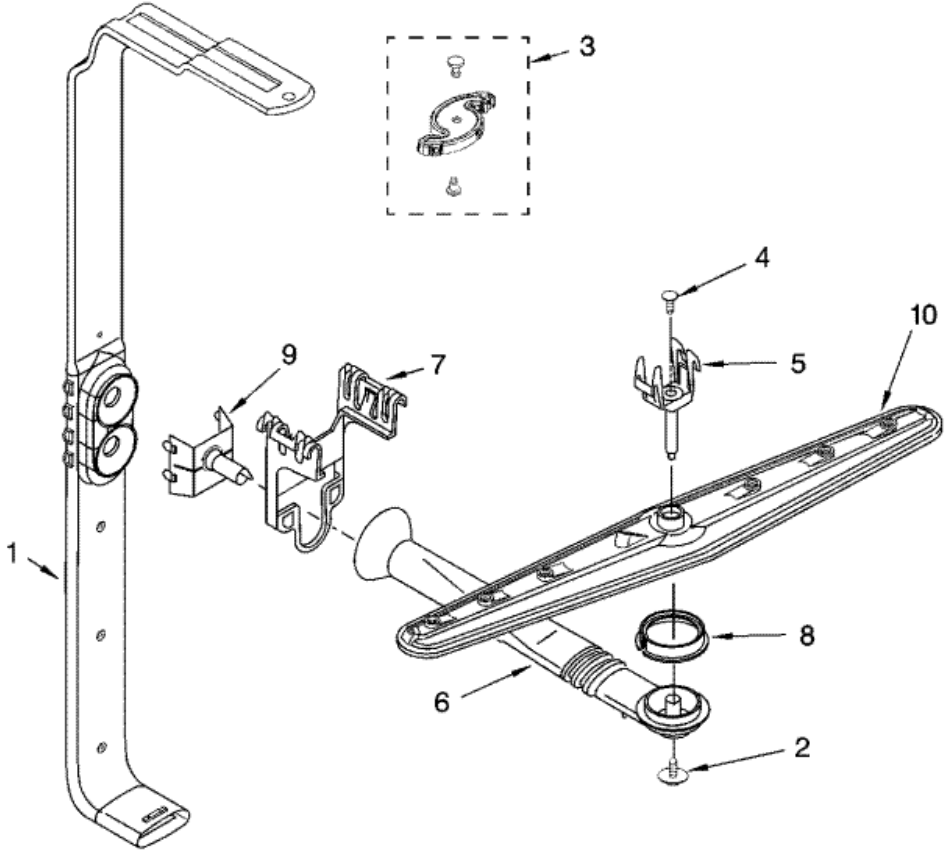




GU2400XTPS0 UPPER RACK AND TRACK

| | | |
|---|---------|-------------------------------|
| 1 | 8539242 | DISHRACK, UPPER (S/P) |
| 2 | 8539128 | MOUNT, WHEEL ADJUSTABLE (S/P) |
| 3 | 3385089 | TRACK, RACK (S/P) |
| 4 | 8565920 | STOP TRACK (S/P) |
| 5 | 9744565 | TINE ROW (S/P) |
| 6 | 8539119 | POSITIONER, DUAL (S/P) |
| 7 | 8539189 | CLIP, PIVOT (S/P) |
| 8 | 8539153 | CUPSHELF (S/P) |
| 9 | 8269736 | CLIP, CUPSHELF (S/P) |

GU2400XTPS0 UPPER WASH AND RINSE





GU2400XTPS0 UPPER WASH AND RINSE

| | | |
|----|---------|-------------------------------|
| 1 | 8558964 | FEED TUBE ASSEMBLY (S/P) |
| 2 | 8533889 | SCREW (S/P) |
| 3 | 8193983 | SPINNER, 3RD LEVEL WASH (S/P) |
| 4 | 3400919 | COVER, SCREW (S/P) |
| 5 | 8268321 | MOUNT (S/P) |
| 6 | 8268326 | MANIFOLD (S/P) |
| 7 | 8268325 | HANGER (S/P) |
| 8 | 8268433 | SEAL, SPRAYARM (S/P) |
| 9 | 8268328 | PROBE (S/P) |
| 10 | 8269024 | SPRAYARM (S/P) |



GU2400XTPS0 LOWER RACK

| | | |
|----|---------|---|
| 1 | 8268708 | LOWER RACK ASSEMBLY (INCLUDES ITEM 3) (S/P) |
| 2 | 8535078 | LID, SMALL ITEMS (S/P) |
| 3 | 8268645 | WHEEL & TRANSPORT ASSEMBLY (S/P) |
| 4 | 8539154 | INDICATOR, PLATE RACK (S/P) |
| 5 | 8532006 | HOLDER, PLATE (S/P) |
| 6 | 8269308 | CLIP, SILVERWARE BASKET (S/P) |
| 8 | 8193634 | CLIP, PLATE HOLDER (S/P) |
| 9 | 8539118 | LATCH ASSEMBLY (S/P) |
| 10 | 8535075 | SILVERWARE BASKET ASSEMBLY (S/P) |
| 11 | 8535077 | DOOR, SILVERWARE BASKET (S/P) |