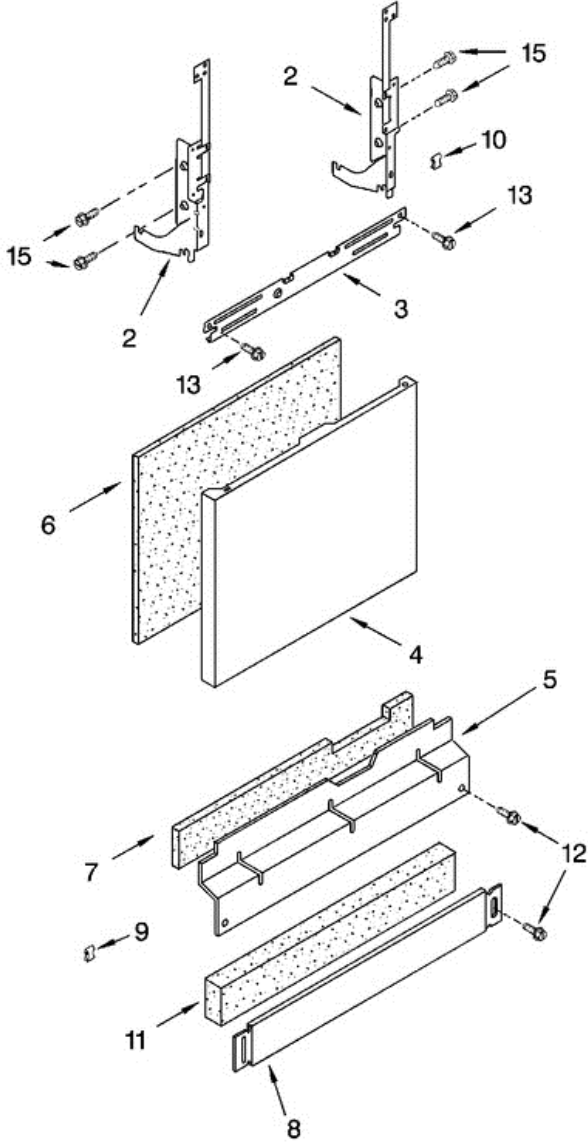


GU2548XTPS1 DOOR AND PANEL

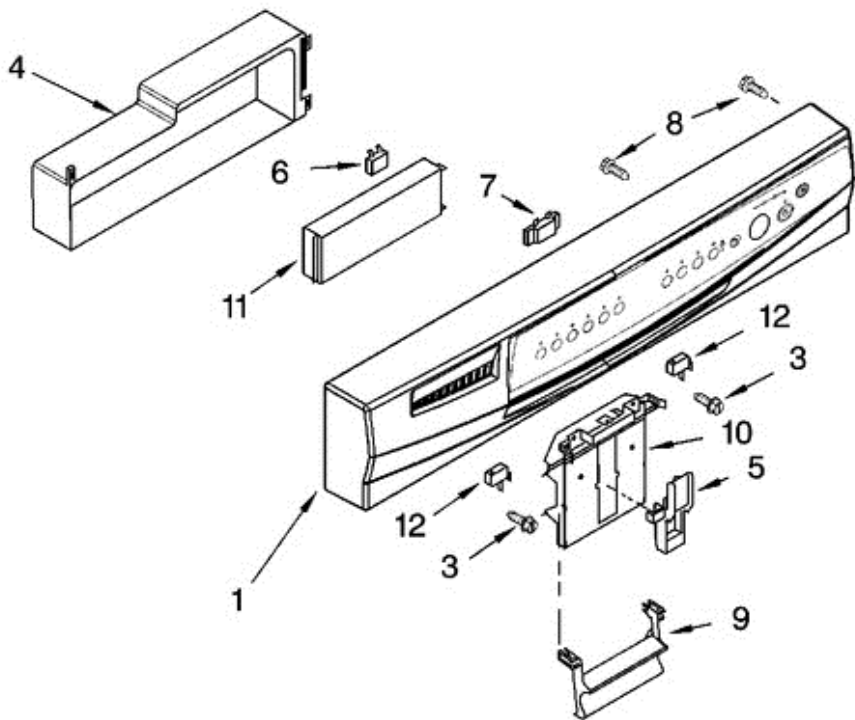




GU2548XTPS1 DOOR AND PANEL

2	8534857	ARM, HINGE (RIGHT)
2	8534858	ARM, HINGE (LEFT)
3	8268983	STIFFENER, DOOR
4	8269842	PANEL FRONT (WHITE)
4	8269845	PANEL FRONT (STAINLESS)
5	8543838	ACCESS PANEL (INCLUDES ITEM 7) (BLACK)
5	8543839	ACCESS PANEL (INCLUDES ITEM 7) (WHITE)
6	8268580	INSULATION, DOOR
7	8268584	INSULATION, ACCESS PANEL
8	8270026	TOE PANEL (INCLUDES ITEM 11) (BLACK)
8	8270027	TOE PANEL (INCLUDES ITEM 11) (WHITE)
9	8269016	CLIP, GROUNDING
10	8269740	CLIP, GROUNDING
11	8268581	INSULATION, TOE PANEL
12	302868	SCREW (BLACK)
12	3400836	SCREW (WHITE)
13	304392	SCREW
15	3369181	SCREW

GU2548XTPS1 CONTROL PANEL

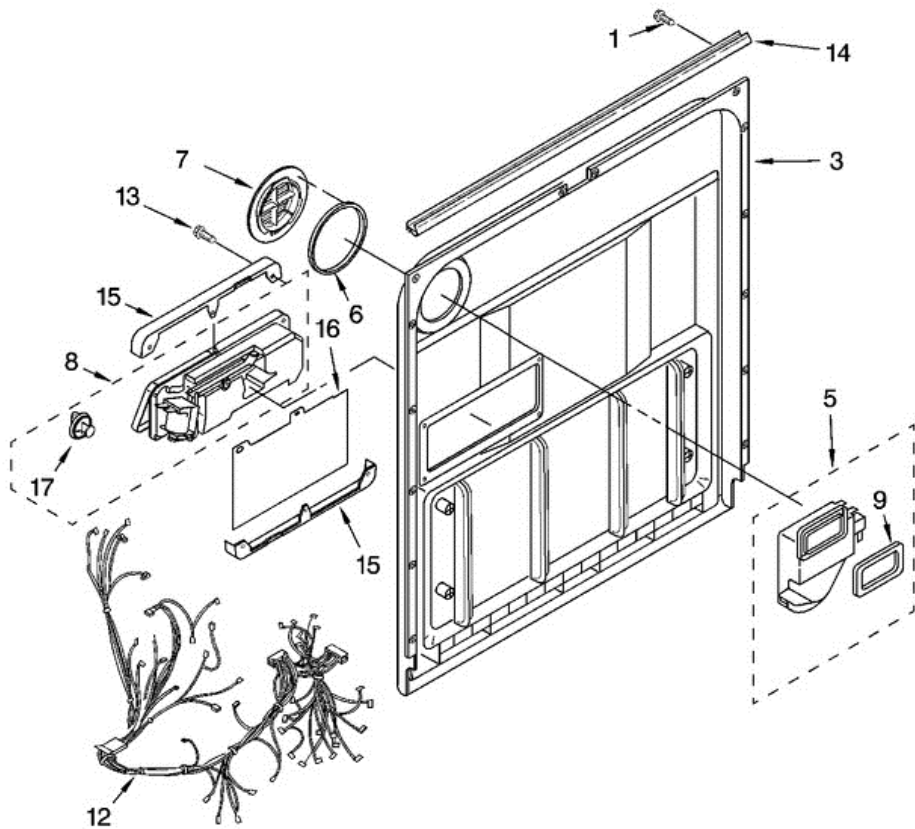




GU2548XTPS1 CONTROL PANEL

1	8535531	CONSOLE ASM. ACTIVE OVERLAY & INSERT (BLACK)
1	8535532	CONSOLE ASM. ACTIVE OVERLAY & INSERT (WHITE)
3	3400412	SCREW
4	8283512	COVER CONTROL SHIELD ASSEMBLY
5	8524471	ACTUATOR, LATCH
6	8269213	FUSE, THERMAL ELECTRONIC
7	8269206	DISPLAY, DUAL DIGIT
8	3369051	SCREW (6)
9	8534984	HANDLE, LATCH (BLACK)
9	8534985	HANDLE, LATCH (WHITE)
10	8524476	BOLT, LATCH
11	8564544	CONTROL, ELECTRONIC
12	8269209	SWITCH, DOOR

GU2548XTPS1 DOOR AND LATCH

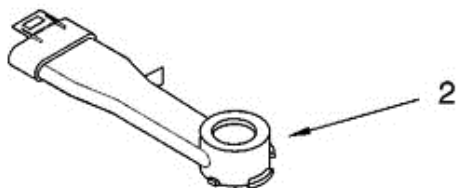
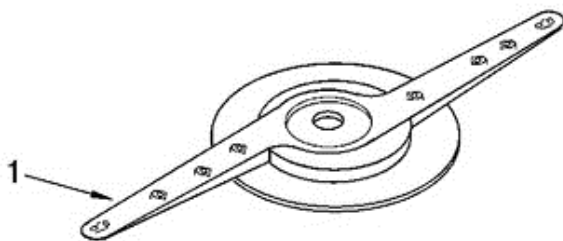




GU2548XTPS1 DOOR AND LATCH

1	3369051	SCREW, DOOR
3	8269311	INNER DOOR (ALSO ORDER ITEM 6)
5	8545533	VENT ASSEMBLY (ALSO ORDER ITEM 6)
6	8269259	GASKET, VENT
7	8545535	DEFLECTOR, VENT (ALSO ORDER ITEM 6)
8	8531825	DISPENSER, ASSEMBLY
9	8269258	SEAL. FRONT
12	8534931	WIRING HARNESS MAIN
13	8281154	SCREW (6)
14	8269296	SEAL, CONSOLE/DOOR
15	8269743	BRACKET, DISPENSER
16	8531865	SHIELD, DISPENSER
17	8558307	KNOB, DISPENSER

GU2548XTPS1 LOWER WASHARM

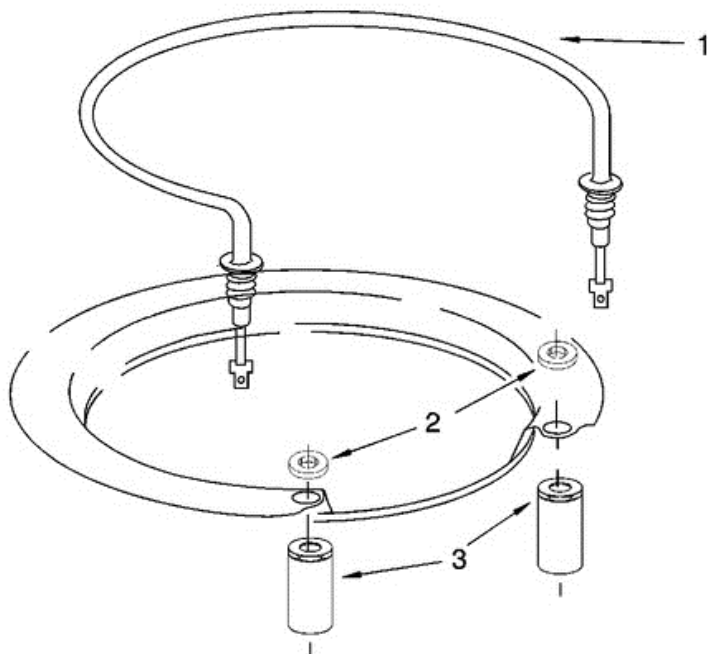




GU2548XTPS1 LOWER WASHARM

1	8268333	WASH ARM ASSEMBLY
2	8268317	CAP, INTERNAL REAR FEED (ALSO ORDER ITEM 3)
3	8268340	SEAL, SPRAYARM
4	8268342	HUB, LOWER SPRAYARM (ALSO ORDER ITEM 3)

GU2548XTPS1 HEATER

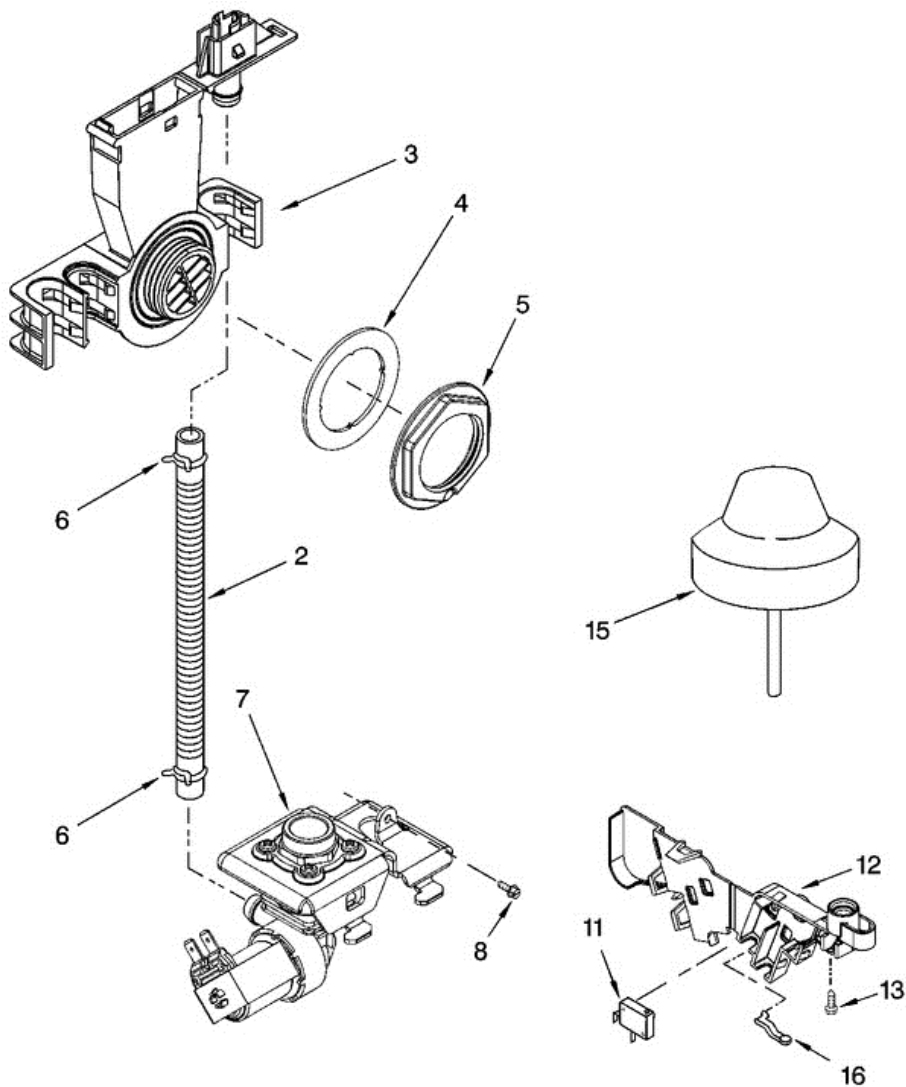




GU2548XTPS1 HEATER

1	8572861	HEATER ELEMENT ASSEMBLY (ALSO INCLUDES 2)
2	717273	WASHER, HEATER ELEMENT
3	8268548	NUT, HEATER ELEMENT
4	8269262	BRACKET, HEATER SUPPORT

GU2548XTPS1 FILL AND OVERFILL

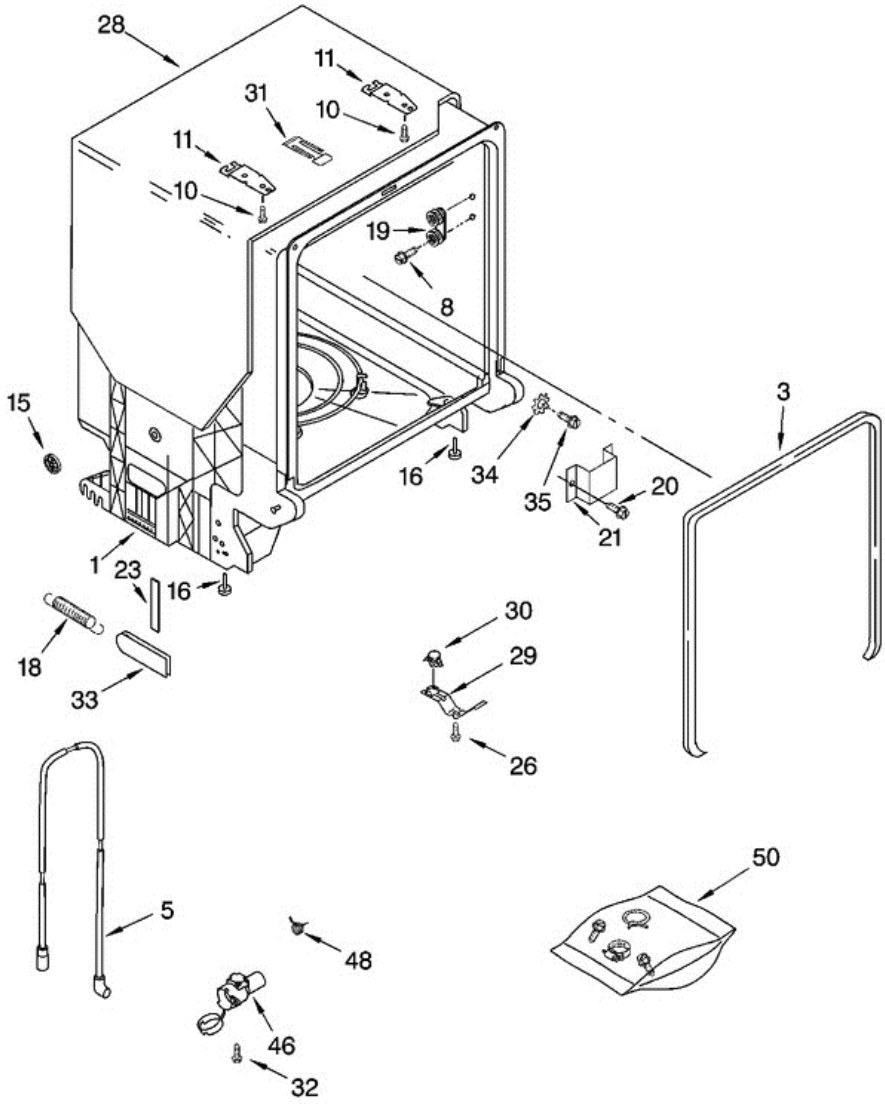




GU2548XTPS1 FILL AND OVERFILL

2	8531412	HOSE, INLET
3	8531325	WATER INLET (ALSO ORDER ITEM 4)
4	8531323	GASKET
5	8531326	NUT, INLET (ALSO ORDER ITEM 4)
6	371505	CLAMP, HOSE
7	8531671	FILL VALVE ASSEMBLY
8	304392	SCREW
11	8268909	SWITCH, OVERFILL CONTROL
12	8545881	STANDPIPE, OVERFILL
13	304231	SCREW
15	8268913	FLOAT & RETAINER ASSEMBLY
16	8268892	LEVER, OVERFLOW SWITCH

GU2548XTPS1 TUB AND FRAME

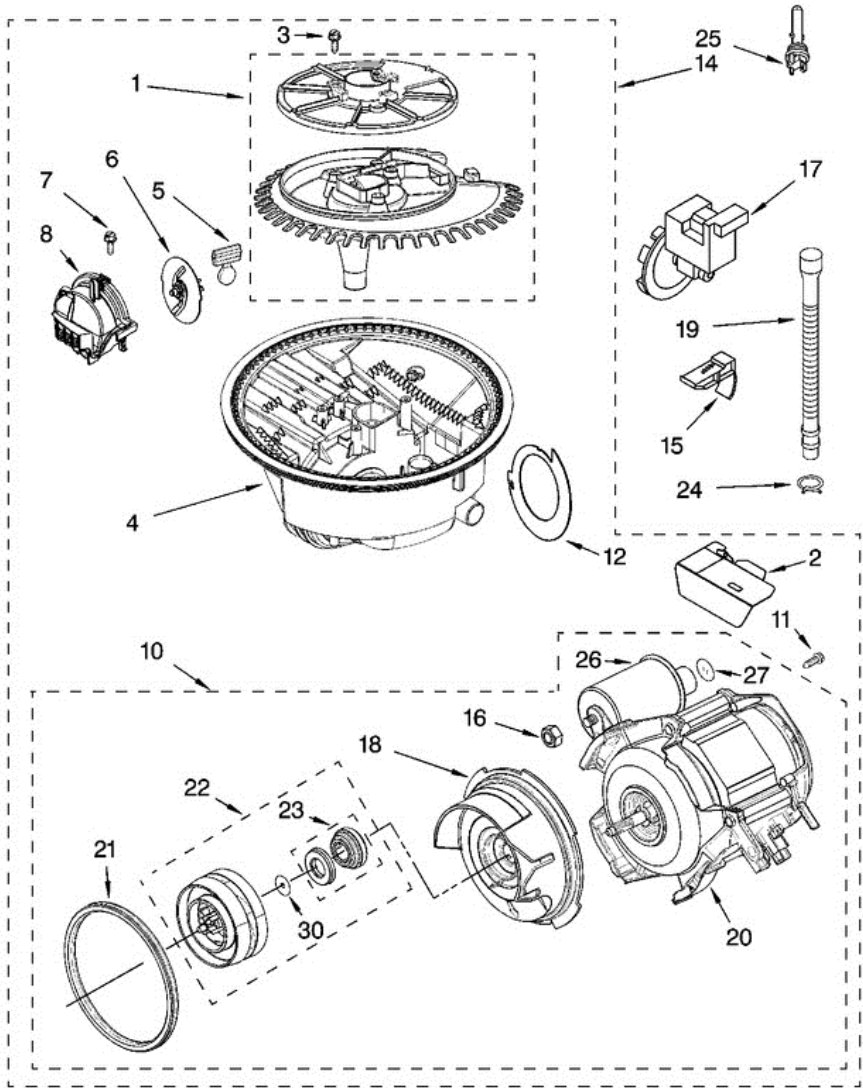




GU2548XTPS1 TUB AND FRAME

1	8268607	TUB ASSEMBLY
3	8268888	DOOR SEAL
5	8531022	DRAIN LOOP WITH CHECK VALVE
8	8533836	SCREW (8)
10	3367670	SCREW
11	8269145	BRACKET, UNDERCOUNTER
15	8269831	WHEEL, LEG
16	8524584	LEVELER, LEG
18	8524473	SPRING, DOOR BALANCE
19	8270016	WHEEL & MOUNT ASSEMBLY
20	3400892	SCREW
21	8268991	COVER, TERMINAL BOX
23	8268961	PAD, FRICTION
26	304231	SCREW
28	8531028	SHIELD, SOUND TUB
29	3378595	BRACKET, THERMOSTAT
30	661566	THERMOSTAT
31	8269111	STRIKE, LATCH
32	9741232	SCREW
33	8268990	BUSHING, DOOR SPRING
34	3378128	WASHER
35	3400014	SCREW
46	8542575	SWITCH, PRESSURE
48	356138	CLAMP, HOSE (1)
50	8269297	MISCELLANEOUS PARTS BAG

GU2548XTPS1 PUMP AND MOTOR

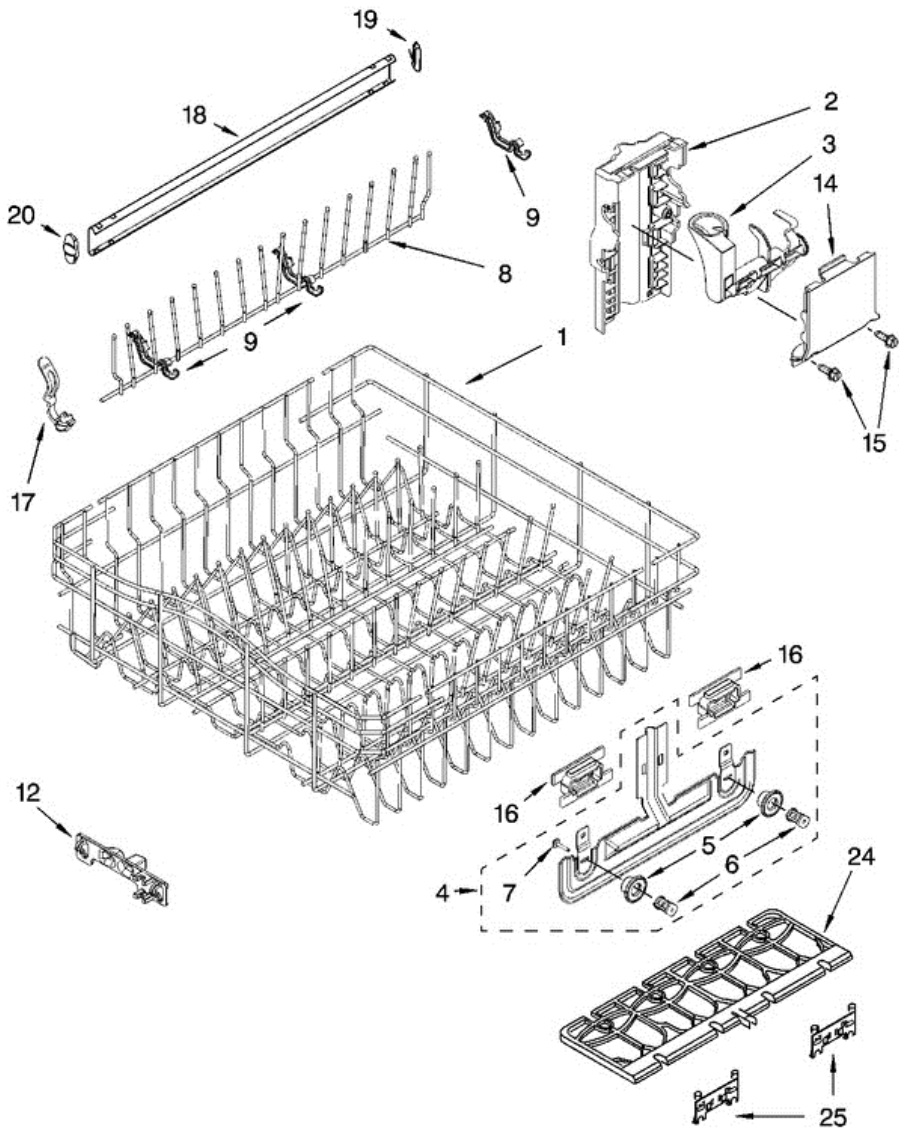




GU2548XTPS1 PUMP AND MOTOR

1	8534952	ACCUMULATOR ASSY
2	8283527	SHIELD, MOTOR
3	3400069	SCREW
4	8534882	SUMP, WITH SEAL
5	8268375	CHECK VALVE, SUMP
6	8268383	CHOPPER ASSEMBLY
7	9741232	SCREW
8	8531857	PROTECTOR, INLET
10	8534942	MOTOR ASSEMBLY
11	3400217	SCREW
12	8268391	SCREEN, SEPARATION
14	8535150	SUMP & MOTOR ASSEMBLY
15	8269524	TAB, SUMP
16	8533949	NUT
17	661658	PUMP, DRAIN
18	8531019	VOLUTE, BACK (ALSO ORDER ITEMS 23 & 30)
19	8269144	HOSE, DRAIN
20	8534941	MOTOR
21	8268397	SEAL, VOLUTE
22	8531017	IMPELLER KIT (ALSO ORDER ITEM 30)
23	8268403	FACE SEAL ASSEMBLY (ALSO ORDER ITEM 30)
24	356138	CLAMP, HOSE
25	8269208	THERMISTER
26	8269507	CAPACITOR
27	8534946	SHIELD, CAPICATOR
30	8531018	WASHER

GU2548XTPS1 UPPER RACK AND TRACK

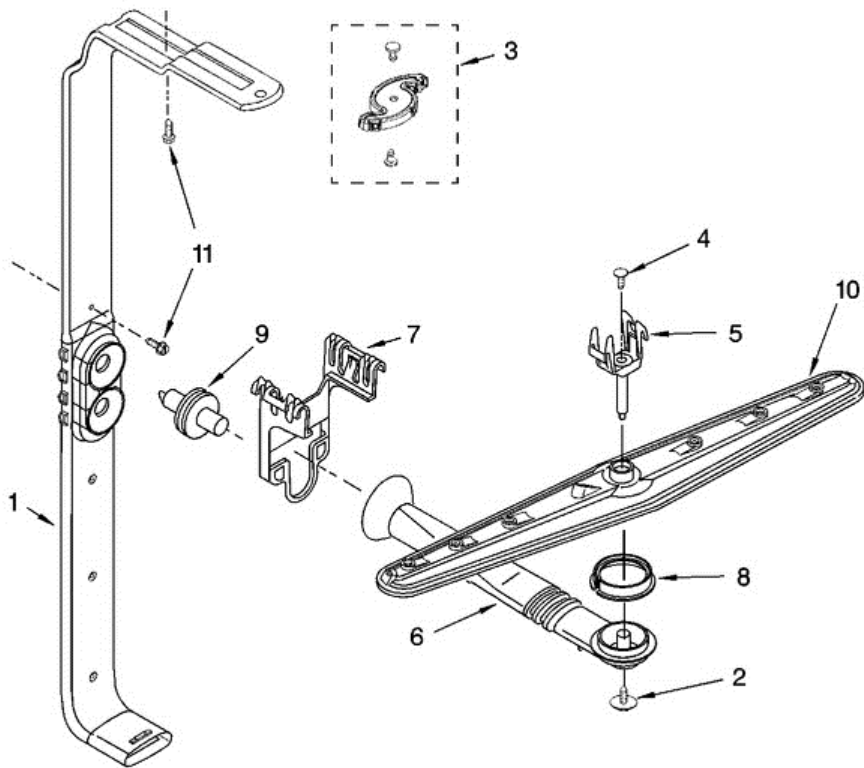




GU2548XTPS1 UPPER RACK AND TRACK

1	8539242	DISHRACK, UPPER ASSEMBLY
2	8531343	HOUSING, ADJUSTER
3	8539121	ACTUATOR, ADJUSTER (LEFT HAND)
3	8539122	ACTUATOR, ADJUSTER (RIGHT HAND)
4	8268654	ADJUSTER ASSEMBLY
5	3385088	WHEEL
6	8268703	AXEL, ADJUSTER
7	8281156	SCREW
8	9744565	TINE ROW
9	8539189	CLIP, PIVOT
12	8539119	POSITIONER, DUAL
14	8531345	COVER, ADJUSTER
15	9741232	SCREW
16	8268704	POSITIONER, ARM
17	8539113	CLIP, NO-FLIP
18	3385089	TRACK, RACK
19	8524581	STOP, TRACK REMOVEABLE
20	8562015	STOP TRACK
24	8539152	CUPSHELF
25	8269736	CLIP, CUPSHELF

**GU2548XTPS1 UPPER WASH AND
RINSE**

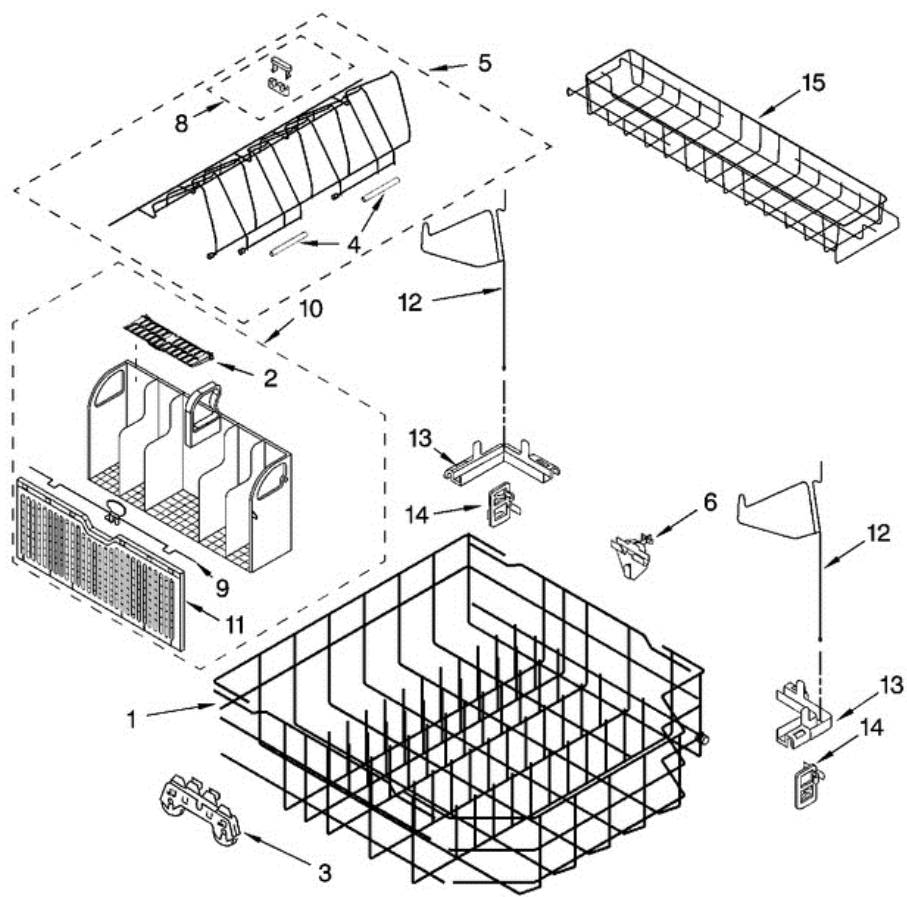




GU2548XTPS1 UPPER WASH AND RINSE

1	8558964	FEED TUBE ASSEMBLY (ALSO INCLUDES ITEM 3)
2	8533889	SCREW
3	8557720	SPINNER, 3RD LEVEL WASH
4	3400919	COVER, SCREW
5	8268321	MOUNT
6	8268327	MANIFOLD
7	8268325	HANGER
8	8268433	SEAL, SPRAYARM
9	8268328	PROBE, MANIFOLD
10	8269024	SPRAYARM
11	3400850	SCREW

GU2548XTPS1 LOWER RACK





GU2548XTPS1 LOWER RACK

1	8561713	LOWER RACK ASSEMBLY (INCLUDES ITEMS 3 & 5)
2	8535078	LID, SMALL ITEMS
3	8268645	WHEEL & TRANSPORT ASSEMBLY
4	8539154	INDICATOR, PLATE RACK
5	8562006	HOLDER, PLATE
6	8269308	CLIP, SILVERWARE BASKET
8	3377426	CLIP, PLATE HOLDER
9	8539118	LATCH ASSEMBLY
10	8535075	SILVERWARE BASKET ASSEMBLY
11	8535077	DOOR, SILVERWARE BASKET
12	3385108	SUPPORT, 3RD LEVEL
13	3385109	PIVOT, SUPPORT TOP
14	3385110	PIVOT, SUPPORT LOWER
15	8562007	BASKET, 3RD LEVEL