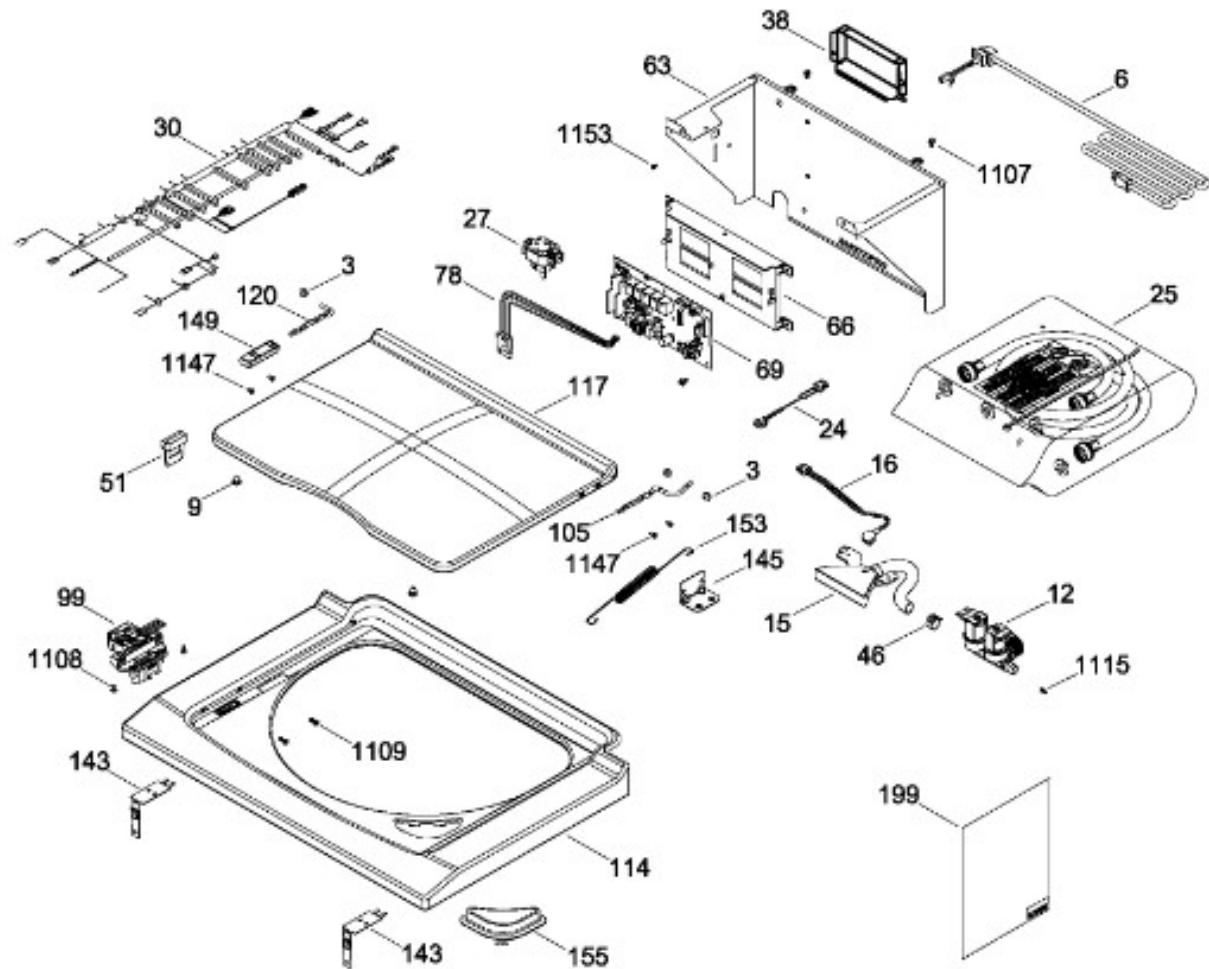
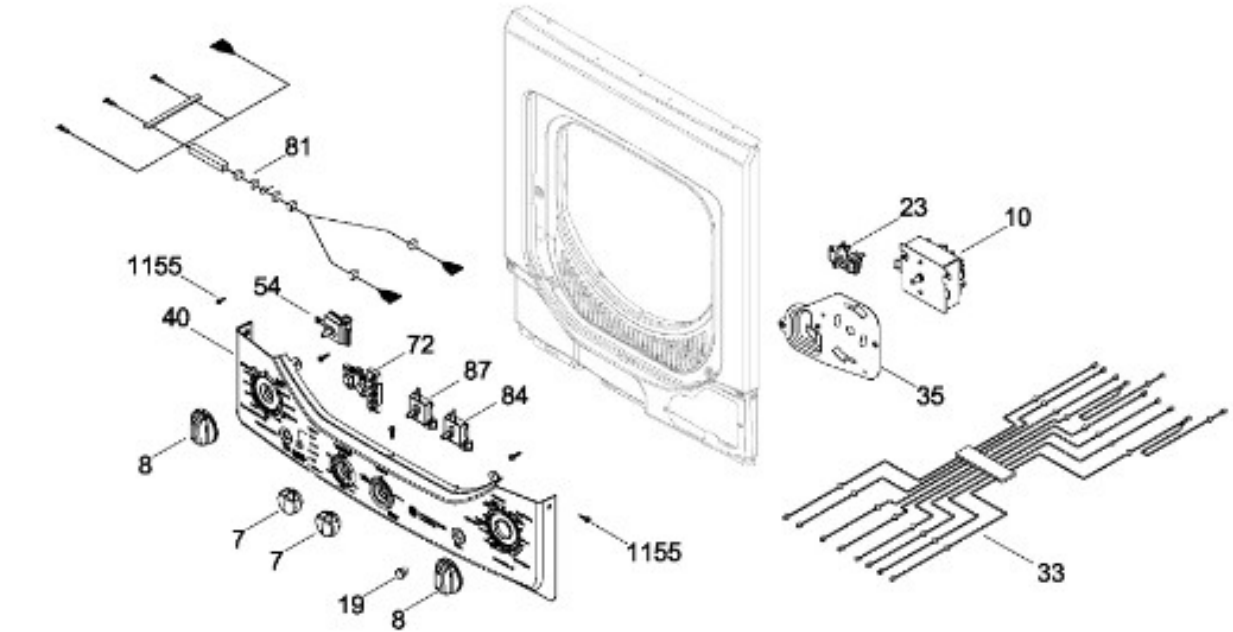


C.L. GUD24GSSJ0WW

TAPA Y CONTROLES / LID AND CONTROLS

GUD24GSSJ0WW



Distribuidor Autorizado

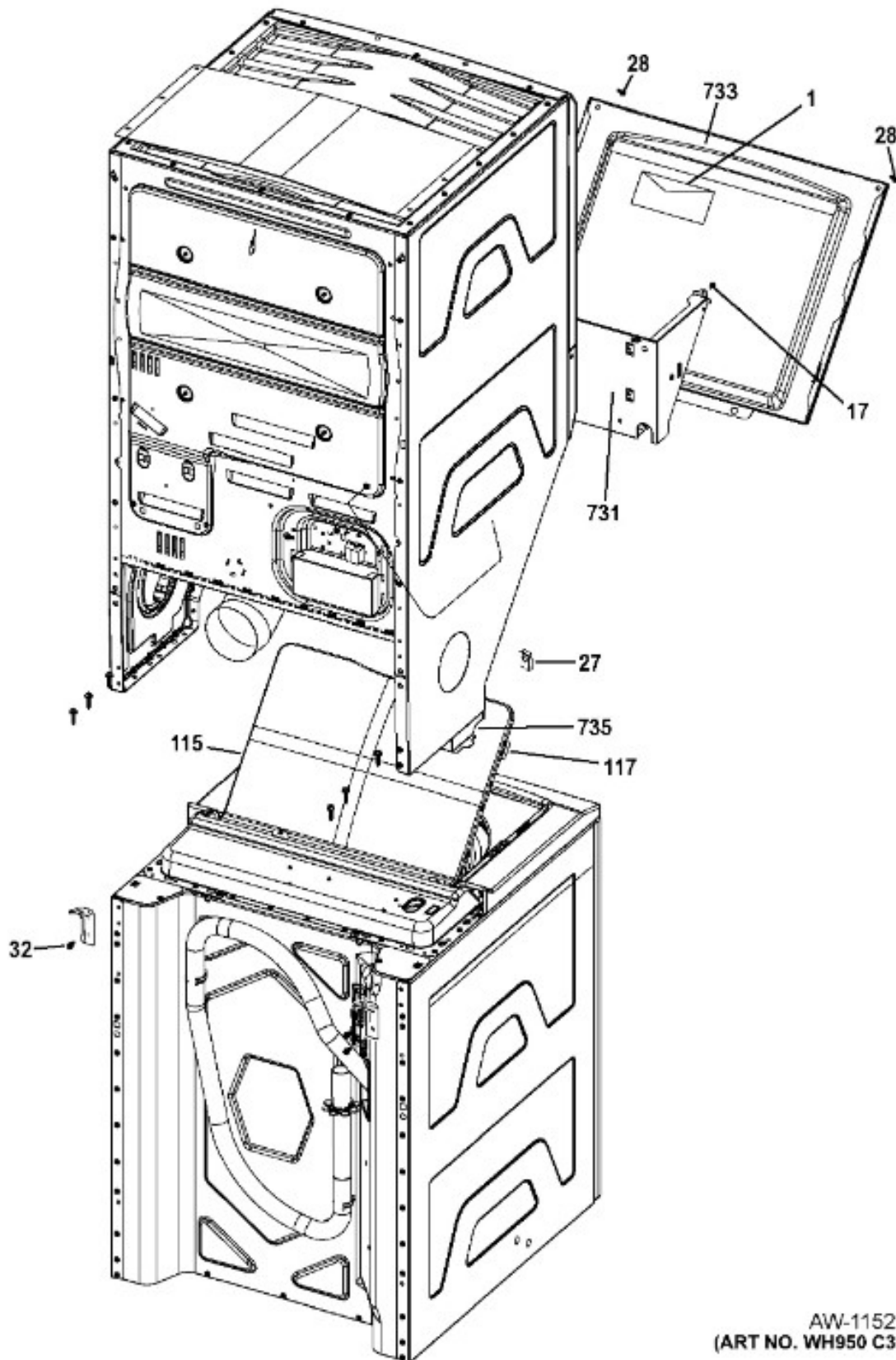
SurteRápido.com

Venta de Refacciones
Electrodomesticas

C.L. GUD24GSSJ0WW

Note:

This drawing is representative only and may not be an accurate representation of the product.
Contact your Parts Dealer should any questions arise.



AW-1152
(ART NO. WH950 C3)

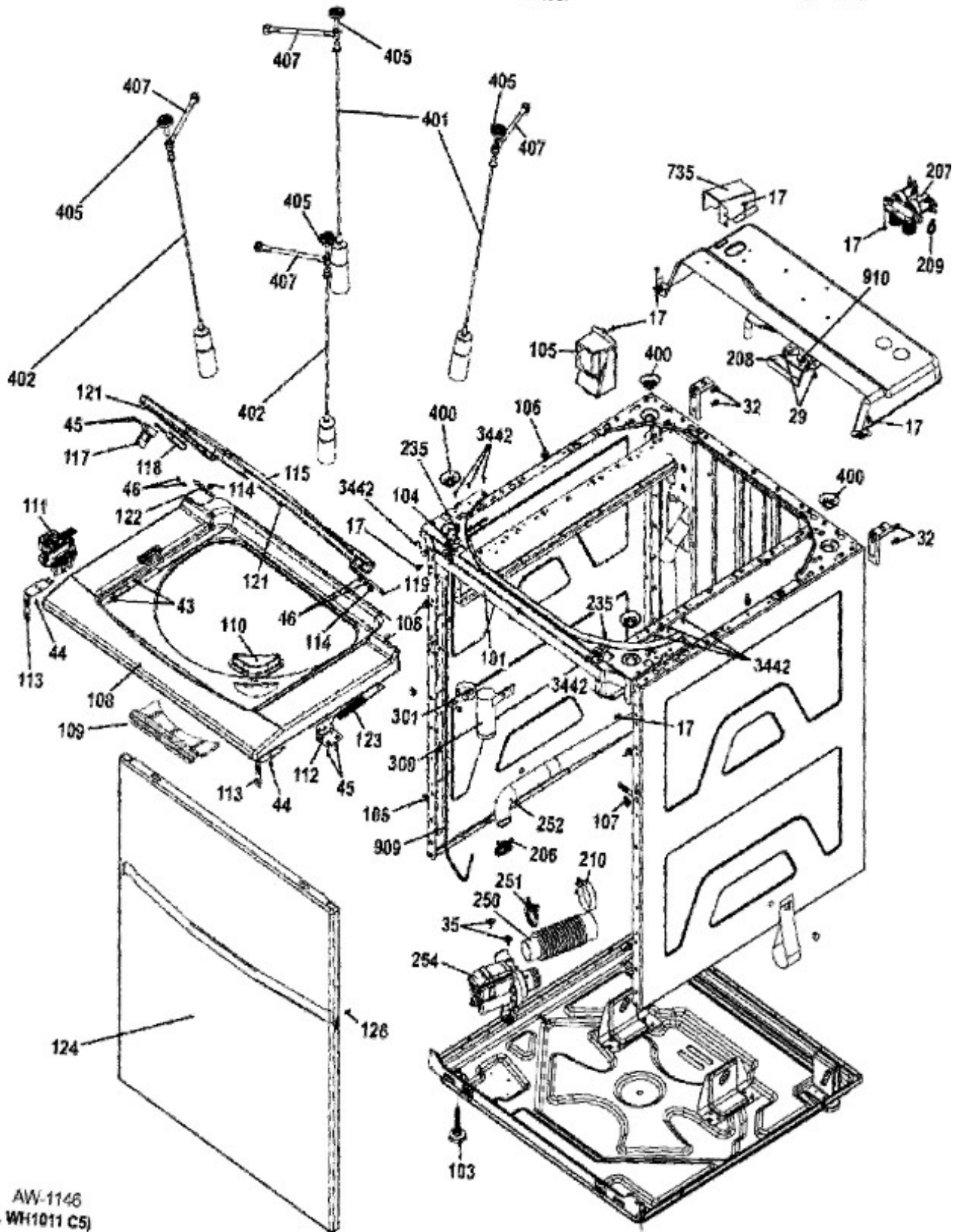
Distribuidor Autorizado

SurteRápido.com

Venta de Refacciones
Electrodomesticas

C.L. GUD24GSSJ0WW

This drawing is representative only and may not be an accurate representation of the product.
Contact your Parts Dealer should any questions arise.



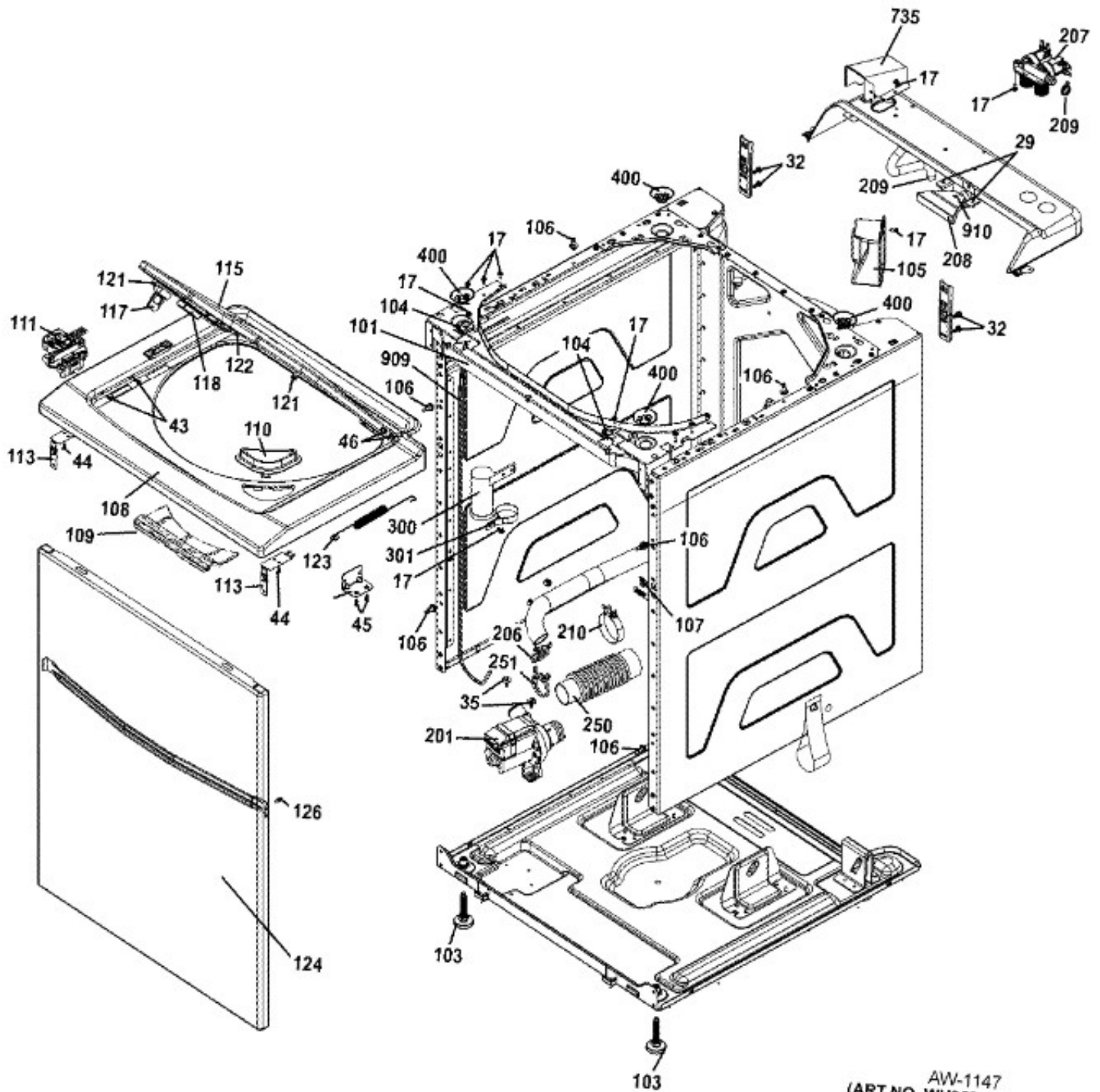
AW-1146
IT NO. WH1011 C5)

Distribuidor Autorizado

SurteRápido.com

Venta de Refacciones
Electrodomesticas

C.L. GUD24GSSJ0WW



AW-1147
(ART NO. WH952 C5)

Distribuidor Autorizado

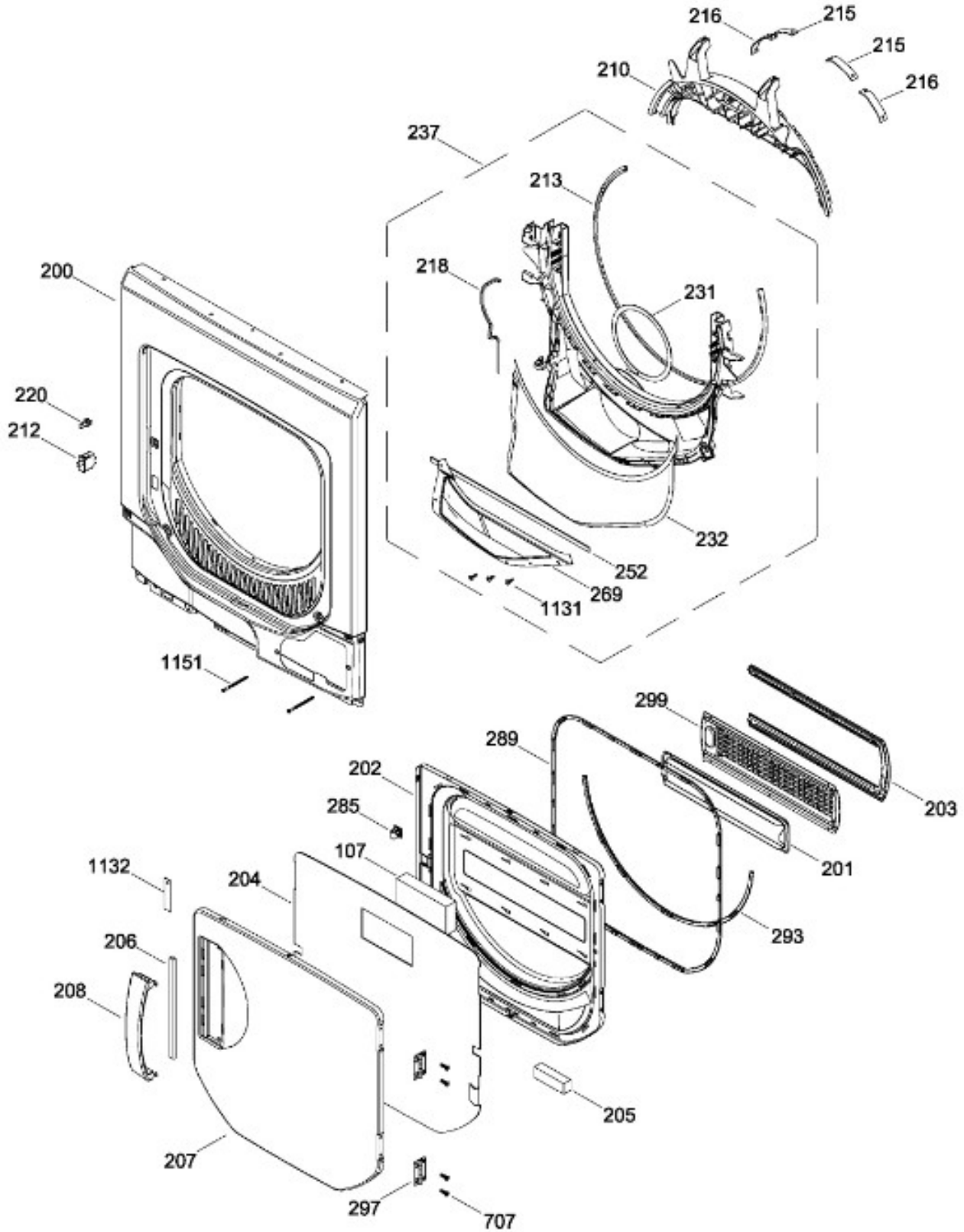
SurteRápido.com

Venta de Refacciones
Electrodomesticas

C.L. GUD24GSSJ0WW

PUERTA SECADORA / DOOR DRYER

GUD24GSSJ0WW



Distribuidor Autorizado

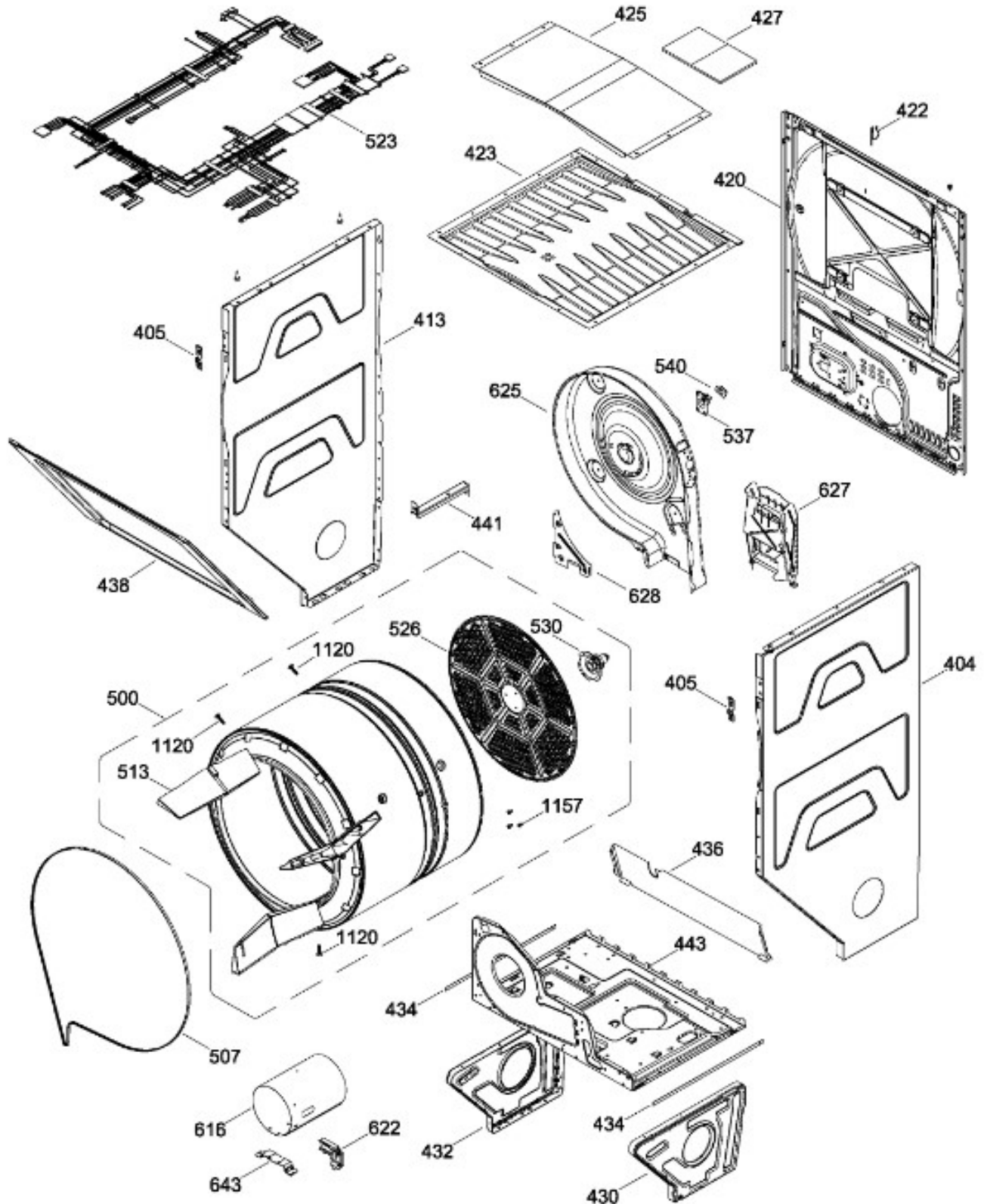
SurteRápido.com

Venta de Refacciones
Electrodomesticas

C.L. GUD24GSSJ0WW

GABINETE Y TAMBOR SECADORA / CABINET & DRUM DRYER

GUD24GSSJ0WW



Distribuidor Autorizado

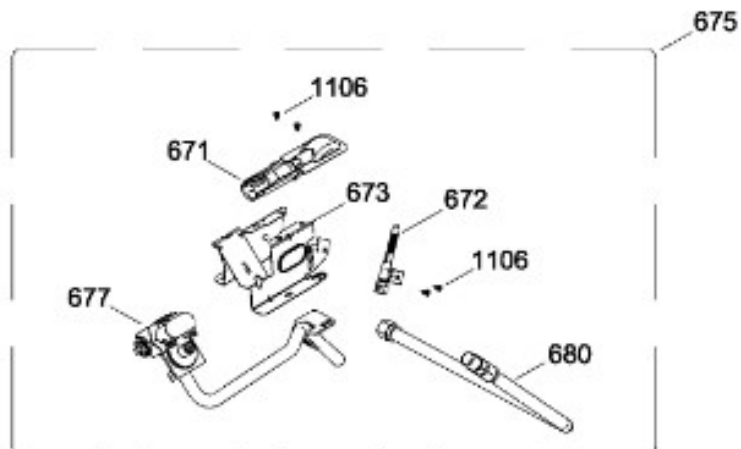
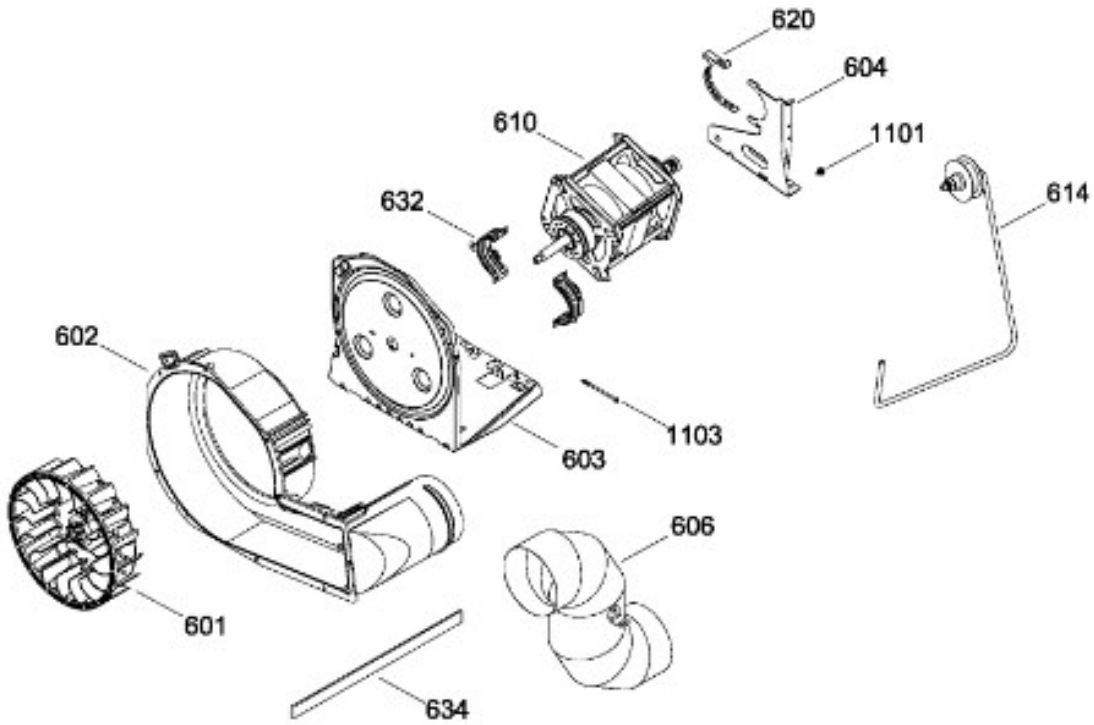
SurteRápido.com

Venta de Refacciones
Electrodomesticas

C.L. GUD24GSSJ0WW

SISTEMA DE TRANSMISION SEC / BLOWER & DRIVE ASSEMBLY DRYER

GUD24GSSJ0WW



Distribuidor Autorizado

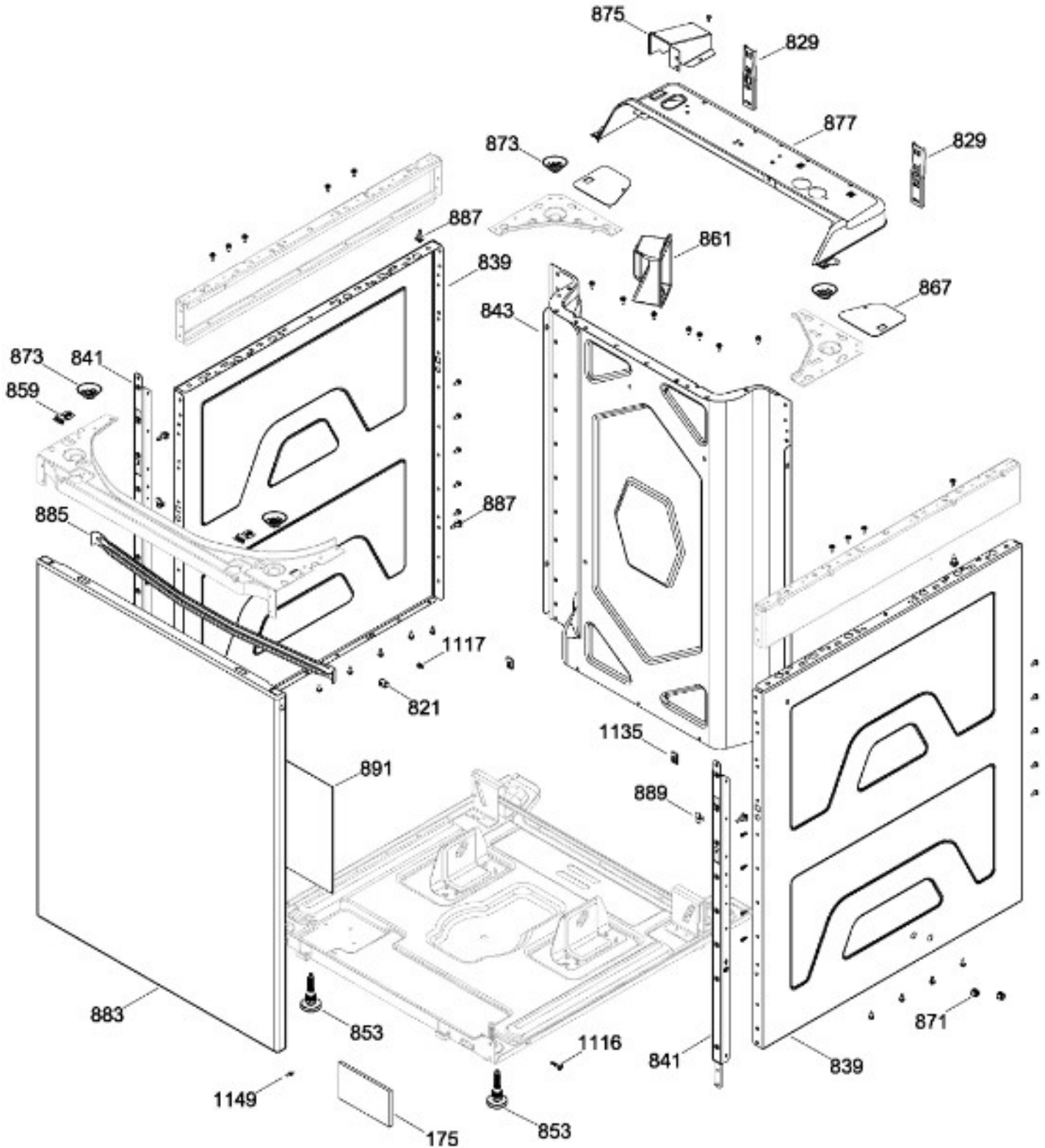
SurteRápido.com

Venta de Refacciones
Electrodomesticas

C.L. GUD24GSSJ0WW

GABINETE LAV / WASHER CABINET

GUD24GSSJ0WW



Distribuidor Autorizado

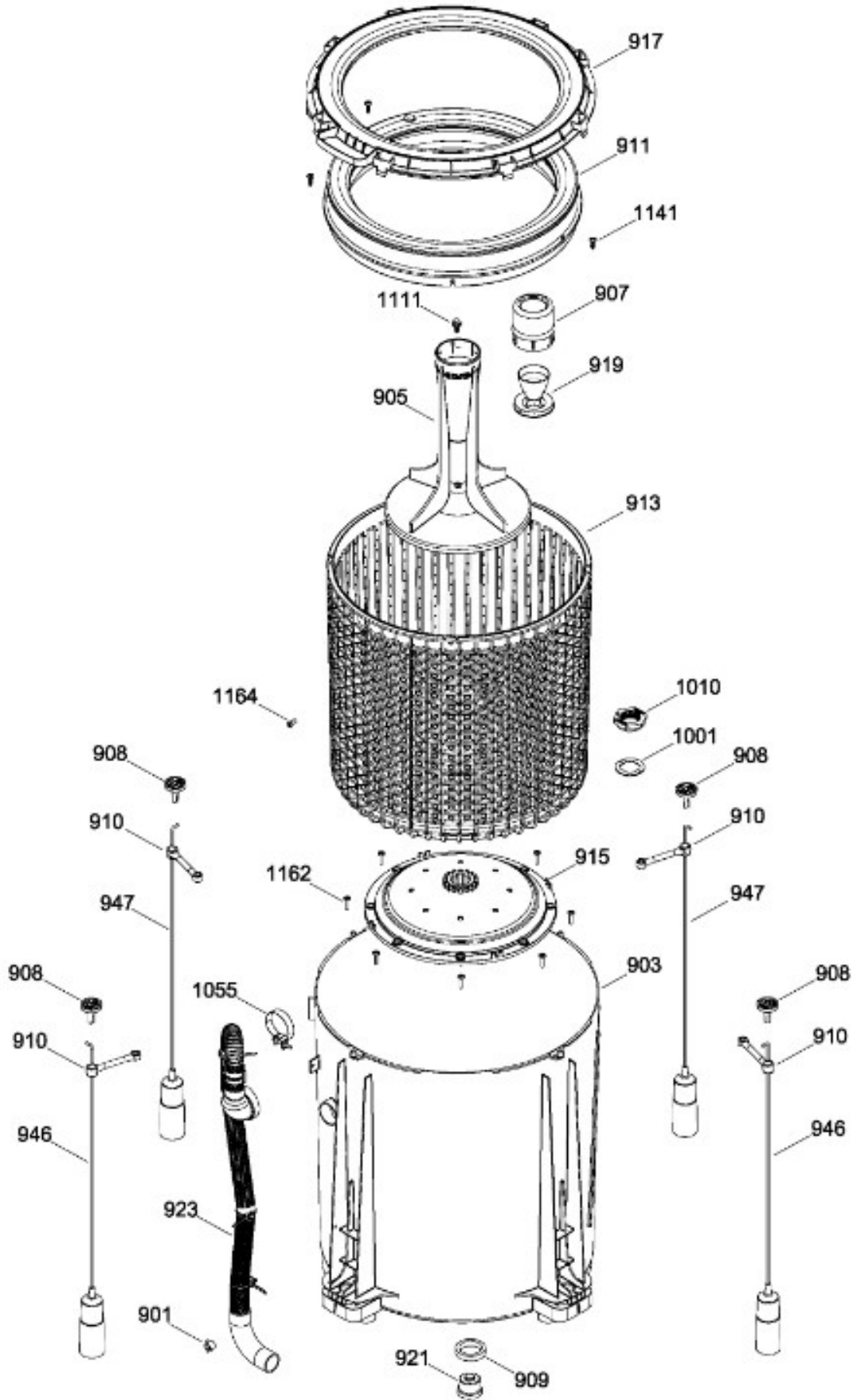
SurteRápido.com

Venta de Refacciones
Electrodomesticas

C.L. GUD24GSSJ0WW

TINA LAVADORA / TUB WASHER

GUD24GSSJ0WW



Distribuidor Autorizado

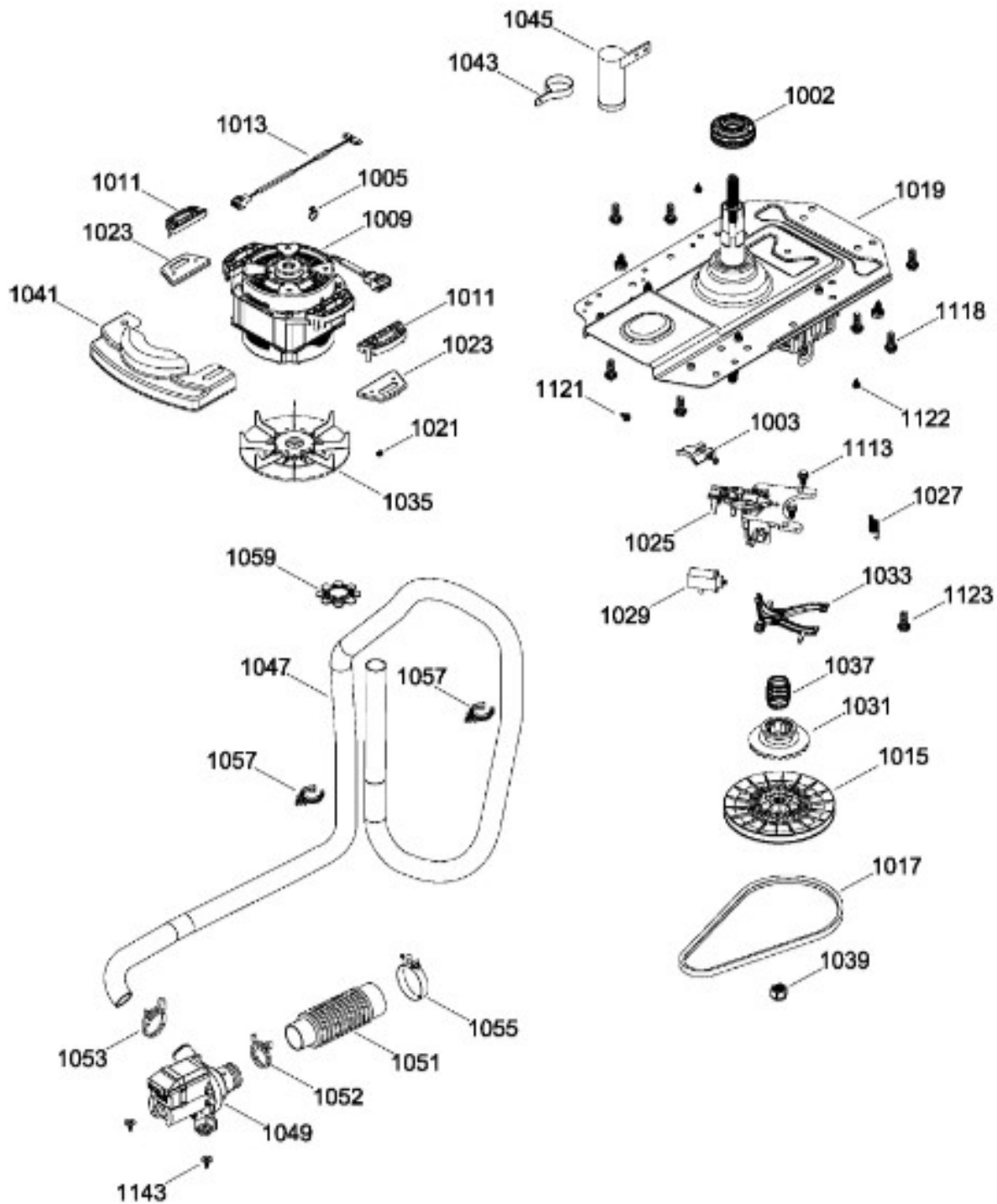
SurteRápido.com

Venta de Refacciones
Electrodomesticas

C.L. GUD24GSSJ0WW

SISTEMA MOTRIZ LAV / DRIVE COMPONENTS WASHER

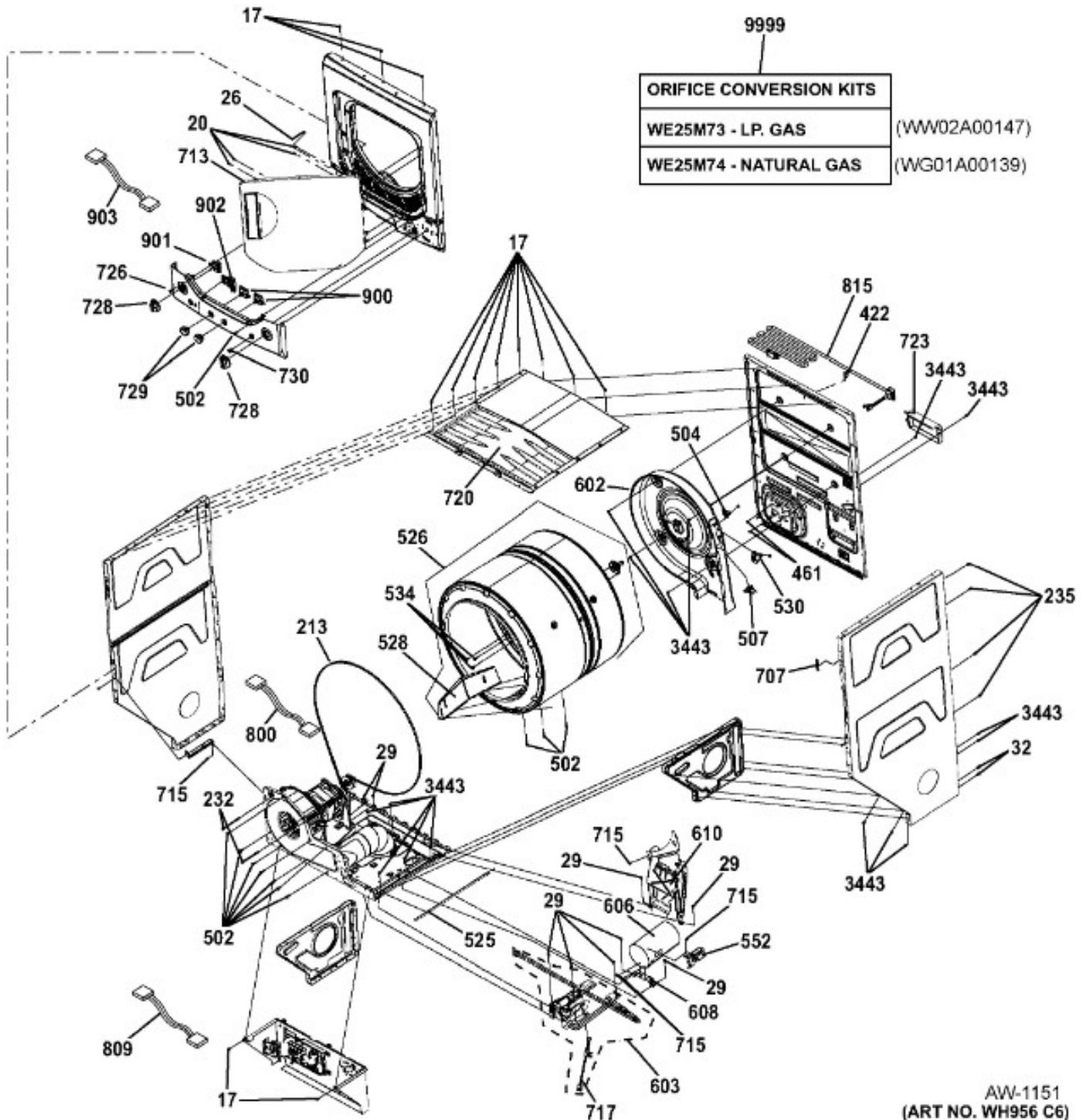
GUD24GSSJ0WW



C.L. GUD24GSSJ0WW

Note:

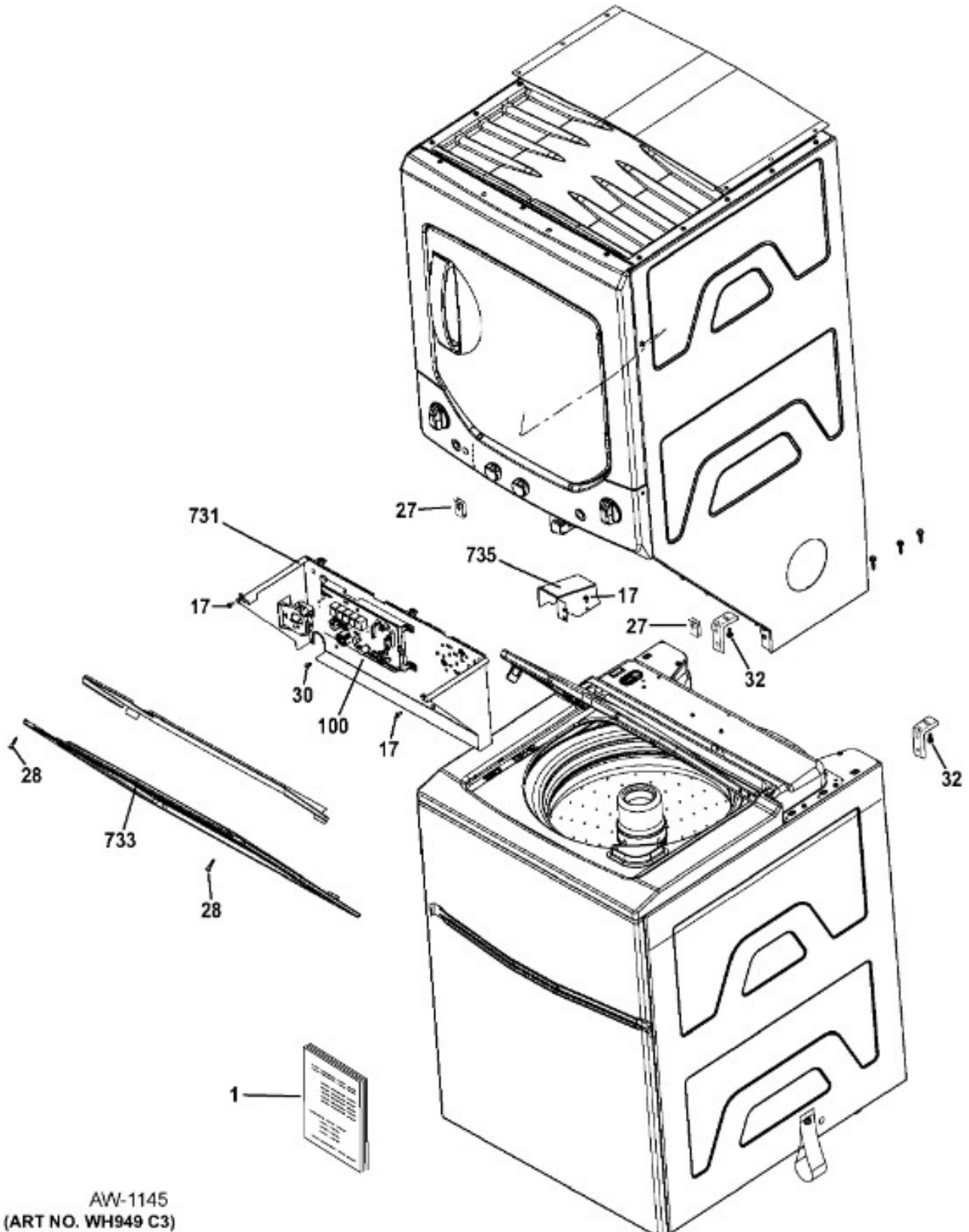
This drawing is representative only and may not be an accurate representation of the product. Contact your Parts Dealer should any questions arise.



C.L. GUD24GSSJ0WW

Note:

This drawing is representative only and may not be an accurate representation of the product.
Contact your Parts Dealer should any questions arise.



Distribuidor Autorizado

SurteRápido.com

Venta de Refacciones
Electrodomesticas

C.L. GUD24GSSJ0WW

| Guía | Refacción | Descripción |
|------|------------|------------------------------|
| 3 | WW03A00011 | BUJE BISAGRA |
| 6 | WW03F00029 | CORDON TOMACORRIENTE |
| 7 | WW03L00042 | PERILLA ROTATORIA ENS. |
| 8 | WW03L00040 | PERILLA CONTROL ENS. |
| 9 | WW03A00059 | TOPE TAPA |
| 9 | WW03A00283 | TOPE TAPA |
| 10 | WW03F00064 | RELOJ |
| 12 | WW03F00100 | VALVULA CW 47C |
| 12 | WW01F01881 | VALVULA CW 47C |
| 15 | WW01F01158 | ENTRADA DE AGUA ENS |
| 16 | WW03F00073 | TERMISTOR ENS. |
| 19 | WW03F00021 | BOTON INICIO ENS. |
| 23 | WW02L00024 | INTERRUPTOR ARRANQUE |
| 24 | WW03F00002 | ARNES EXTENS.ION ENS. |
| 25 | WW02L00026 | MANGUERAS |
| 27 | WW03F00101 | PRESOSTATO ELECTRONICO |
| 30 | WW01F01159 | ARNES PRINCIPAL LAVADORA ENS |
| 33 | WW03F00012 | ENS. ARNES UI |
| 35 | WW03A00054 | SOPORTE CONTROLES |
| 35 | WW03A00255 | SOPORTE CONTROLES |
| 38 | WW02L00212 | CUBIERTA TERMINAL FUSIBLE |
| 40 | WW03F00496 | PANEL DE CONTROL Y ETIQUETA |
| 46 | WW01A00113 | ABRAZADERA MANGUERA |
| 51 | WW03F00001 | ACTUADOR |
| 54 | WW03F00047 | SELECTOR PROGRAMA |
| 63 | WW01L01154 | PROTECTOR TARJETA |
| 63 | WW01L01154 | PROTECTOR TARJETA |
| 66 | WW01L01153 | PORTA TARJETA |
| 69 | WW03F00499 | BOARD CONTROL ASM |
| 72 | WW02F00502 | BOTON SELECTOR |
| 78 | WW03F00104 | ARNES PRESOSTATO ENS |
| 81 | WW03F00105 | ARNES SELECTOR ENS |
| 84 | WW03F00106 | SELECTOR SWITCH |
| 87 | WW01F00338 | SELECTOR 5 PROGRAMAS |
| 99 | WW03F00016 | BLOCAPUERTA |

Distribuidor Autorizado

SurteRápido.com

Venta de Refacciones
Electrodomesticas

C.L. GUD24GSSJ0WW

| Guía | Refacción | Descripción |
|-------------|------------------|-----------------------------|
| 105 | WW03L00006 | BISAGRA CUBIERTA |
| 107 | WW02A00025 | ESPACIADOR DE PUERTA SOLIDA |
| 114 | WW03L00016 | CUBIERTA LAVADORA |
| 114 | WW03L00016 | CUBIERTA LAVADORA |
| 117 | WW03L00049 | TAPA LAVADORA |
| 117 | WW03L00049 | TAPA LAVADORA |
| 120 | WW03L00007 | BISAGRA CUBIERTA |
| 143 | WW03A00012 | CLIP CUBIERTA |
| 145 | WW03A00055 | SOPORTE RESORTE |
| 149 | WW03F00049 | MAGNETO |
| 153 | WW03A00033 | RESORTE CUBIERTA LAVADOR |
| 155 | WW03F00031 | DESPACHADOR CLORO |
| 155 | WW03F00031 | DESPACHADOR CLORO |
| 175 | WW03L00037 | PARCHE IMPACTO |
| 175 | WW03L00037 | PARCHE IMPACTO |
| 199 | WW01A00607 | PM USE & CARE |
| 200 | WW01L01155 | FRONT PANEL WHITE |
| 200 | WW01L01155 | FRONT PANEL WHITE |
| 201 | WW03F00043 | ENS. FILTRO |
| 202 | WW02L00012 | INNER DOOR 24" BLANCO |
| 202 | WW02L00012 | INNER DOOR 24" BLANCO |
| 203 | WW01L01156 | MARCO REJILLA |
| 203 | WW02L00618 | MARCO REJILLA |
| 204 | WW02L00027 | DEFLECTOR DE CALOR |
| 205 | WW03A00211 | ESPACIADRO DE PUERTA SOLIDA |
| 206 | WW02L00035 | SELLO DUCTO RECOLECTOR |
| 207 | WW02L00011 | OUTER DOOR WHITE |
| 207 | WW02L00011 | OUTER DOOR WHITE |
| 208 | WW02L00016 | JALADERA PUERTA(BCO) |
| 210 | WW03A00017 | COJINETE SUPERIOR |
| 210 | WW02L00524 | COJINETE SUPERIOR |
| 212 | WW02L00025 | INTERRUPTOR PUERTA |
| 213 | WW03F00041 | FILTRO DUCTO RECOLECTOR |
| 215 | WW03A00015 | COJINETE DESLIZABLE |
| 216 | WW03A00016 | COJINETE DESLIZABLE |

Distribuidor Autorizado

SurteRápido.com

Venta de Refacciones
Electrodomesticas



C.L. GUD24GSSJ0WW

| Guía | Refacción | Descripción |
|-------------|------------------|--------------------------------|
| 216 | WW02A00250 | COJINETE DESLIZABLE |
| 218 | WW03F00091 | ARNES PUERTA |
| 220 | WW02A00004 | STRIKE |
| 231 | WW03A00041 | SELLO DE SALIDA |
| 231 | WW03A00042 | SELLO DE SALIDA |
| 232 | WW02L00034 | SELLO DUCTO RECOLECTOR |
| 232 | WW03A00117 | SELLO DUCTO RECOLECTOR |
| 237 | WW01F01161 | DUCTO RECOLECTOR ENS |
| 237 | WW02F00608 | DUCTO RECOLECTOR ENS |
| 252 | WW01L01158 | SELLO CUBIERTA DUCTO RECOLECTO |
| 269 | WW02L00023 | CUBIERTA DUCTO RECOLECTOR |
| 285 | WW02L00037 | LATCH ASM. |
| 289 | WW03A00047 | SELLO PUERTA |
| 293 | WW03A00046 | SELLO PUERTA |
| 297 | WW02L00028 | BISAGRA PUERTA |
| 299 | WW01L01159 | REJILLA |
| 404 | WW01L01160 | PANEL LATERAL DERECHO BLANCO |
| 404 | WW01L01160 | PANEL LATERAL DERECHO BLANCO |
| 405 | WW03A00014 | CLIP PANEL FRONTAL |
| 405 | WW03A00254 | CLIP PANEL FRONTAL |
| 413 | WW01L01161 | SIDE PANEL LEFT |
| 413 | WW01L01161 | SIDE PANEL LEFT |
| 420 | WW02L00010 | REAR PANEL DRYER 24 |
| 420 | WW02L00010 | REAR PANEL DRYER 24 |
| 420 | WW02L00621 | PANEL POSTERIOR |
| 422 | WW02F00022 | CORD SET RETAINER |
| 423 | WW03L00260 | PANEL SUPERIOR |
| 423 | WW03L00260 | PANEL SUPERIOR |
| 425 | WW01A00578 | PROTECTOR SUPERIOR |
| 427 | WW01F01577 | AISLANTE HOJA |
| 430 | WW02A00009 | SOPORTE BASE CHASIS |
| 432 | WW02A00010 | SOPORTE BASE CHASIS |
| 434 | WW03A00042 | SELLO DE SALIDA |
| 436 | WW02L00214 | DEFLECTOR DE CALOR |
| 438 | WW03L00028 | PANELDEACCESO |

Distribuidor Autorizado

SurteRápido.com

Venta de Refacciones
Electrodomesticas

C.L. GUD24GSSJ0WW

| Guía | Refacción | Descripción |
|-------------|------------------|------------------------------|
| 441 | WW01L01157 | REFUERZO |
| 443 | WW02L00009 | BASE CHASIS |
| 443 | WW02L00009 | BASE CHASIS |
| 500 | WW03F00388 | TAMBOR Y ALETAS ENS |
| 500 | WW03F00388 | TAMBOR Y ALETAS ENS |
| 507 | WW03F00015 | BANDA |
| 513 | WW03L00003 | ALETA |
| 513 | WW02F00851 | ALETA |
| 513 | WW02F00851 | ALETA |
| 523 | WW03F00369 | ARNES PRINCIPAL SECADORA ENS |
| 526 | WW02F00221 | DIFUSOR |
| 530 | WW02A00019 | SOPORTEYFLECHAENSAMBLE |
| 537 | WW02A00005 | RETENEDOR RODAMIENTO |
| 540 | WW01A00443 | GROUND STRAP ASSEMBLY |
| 540 | WW02F00833 | GROUND STRAP ASSEMBLY |
| 601 | WW01F01162 | VENTILADOR REDONDO |
| 602 | WW02L00013 | CAJA DEL VENTILADOR |
| 602 | WW02L00433 | CAJA DEL VENTILADOR |
| 603 | WW01L01163 | BASE MOTOR |
| 603 | WW01L01163 | BASE MOTOR |
| 603 | WW01L01163 | BASE MOTOR |
| 603 | WW02L00642 | BASE MOTOR |
| 604 | WW02F00027 | SOPORTE MOTOR |
| 606 | WW01F01165 | DUCTO ESCAPE |
| 606 | WW02F00781 | DUCTO ESCAPE |
| 610 | WW03F00446 | ENS MOTOR Y POLEA |
| 614 | WW02A00008 | ENS. BRAZO AUXILIAR |
| 614 | WW03F00350 | ENS. BRAZO AUXILIAR |
| 616 | WW03F00094 | CAMARA DE COMBUSTION |
| 616 | WW03F00094 | CAMARA DE COMBUSTION |
| 620 | WW02F00031 | CLIP MOTOR |
| 622 | WW02F00001 | DETECTOR TERMOSTATO |
| 625 | WW03F00095 | DIFUSOR DE GAS |
| 627 | WW03F00096 | DUCTO DE TRANSICION |
| 627 | WW03F00096 | DUCTO DE TRANSICION |

Distribuidor Autorizado

SurteRápido.com

Venta de Refacciones
Electrodomesticas

C.L. GUD24GSSJ0WW

| Guía | Refacción | Descripción |
|-------------|------------------|--------------------------------|
| 628 | WW03F00097 | PLACA DIFUSOR |
| 632 | WW02F00003 | CORREA MOTOR |
| 632 | WW02A00232 | CORREA MOTOR |
| 634 | WW02A00026 | EMPAQUE ESCAPE SOPLADOR |
| 634 | WW02F00785 | EMPAQUE ESCAPE SOPLADOR |
| 643 | WW03F00098 | SOPORTE CAMARA DE COMBUSTION |
| 671 | WW03F00392 | QUEMADOR DE GAS |
| 672 | WW02F00002 | ALLUME-GAZ |
| 672 | WW02F00740 | ALLUME-GAZ |
| 672 | WW01F01432 | ENCENDEDOR INCANDESCENTE |
| 673 | WW02A00017 | SOPORTE VALVULA DE GAS |
| 675 | WW01F01575 | ENS VALVULA Y QUEMADOR DE GAS |
| 677 | WW01A00226 | KIT CONVERSION GN24 |
| 680 | WW01F01578 | TUBO DE GAS FLEXIBLE |
| 707 | WW01A00539 | TORNILLO |
| 821 | WW01L01164 | TAPON DE BOTON |
| 821 | WW01L01164 | TAPON DE BOTON |
| 829 | WW02A00015 | SOPORTE DE AJUSTE |
| 839 | WW03L00035 | PANEL LATERAL(BLANCO) LAVADORA |
| 841 | WW03L00257 | REFUERZO LATERAL FRONTAL |
| 843 | WW01L01165 | PANEL POSTERIOR LAVADORA |
| 843 | WW03A00084 | PANEL POSTERIOR LAVADORA |
| 853 | WW03L00038 | PATA NIVELADORA |
| 859 | WW03A00013 | CLIP CIERRE |
| 861 | WW03L00050 | TAPA MANGUERA |
| 867 | WW02L00030 | TAPA ESQUINERO |
| 871 | WW01L01166 | TAPON |
| 873 | WW03L00005 | BASE ROTULA |
| 875 | WW03F00009 | CUBIERTA ARNES PRINCIPAL |
| 877 | 189D5122P002F | SOPORTE ENTRADA DE AGUA |
| 883 | WW01L30003 | PANEL WAHER FRONT WHITE |
| 885 | WW02L00017 | REFUERZO PANEL FRONTAL |
| 887 | WW03A00028 | PERNO ALINEADOR |
| 889 | WW01A00445 | CLIP DE TIERRA |
| 891 | WW02F00025 | AISLANTE DE RUIDO |

Distribuidor Autorizado

SurteRápido.com

Venta de Refacciones
Electrodomesticas

C.L. GUD24GSSJ0WW

| Guía | Refacción | Descripción |
|-------------|------------------|-------------------------------|
| 891 | WW02F00025 | AISLANTE DE RUIDO |
| 901 | WW01A00068 | ABRAZADERA MANGUERA |
| 903 | WW03L00055 | TINA |
| 905 | WW01L00096 | AGITADOR 7 KG |
| 905 | WW01L00096 | AGITADOR 7 KG |
| 907 | WW03L00051 | TAPA FSD |
| 908 | WW01F00265 | ROTULA |
| 909 | WW03F00128 | GASKET |
| 910 | WW01F01166 | LIGA DE SUSPENSION 24 |
| 911 | WW03A00152 | ARO BALANCE ENS |
| 913 | WW03L00379 | BASKET CW24C |
| 913 | WW03L00379 | BASKET CW24C |
| 915 | WW03A00215 | FONDO CANASTA |
| 917 | WW03L00018 | CUBIERTA TINA |
| 919 | WW01L00432 | COPA SUAVIZANTE AZUL |
| 919 | WW01L00432 | COPA SUAVIZANTE AZUL |
| 921 | WW01F01152 | TAPON TUBO PRESOSTATO |
| 921 | WW01F01152 | TAPON TUBO PRESOSTATO |
| 921 | WW01F01152 | TAPON TUBO PRESOSTATO |
| 923 | WW03F00052 | MANGUERA |
| 946 | WW03F00503 | VARILLA ENSAMBLE |
| 947 | WW03F00502 | VARILLA ENSAMBLE |
| 1001 | WW01A00556 | ARANDELA PLANA NUEVA |
| 1002 | WW01L00471 | SELLO TINA |
| 1002 | WW02F00547 | SELLO TINA |
| 1003 | WW01F01172 | SOPORTE TARJETA SENSOR |
| 1005 | WW01A00006 | CINCHO ESPADA (BOMBA Y ARNES) |
| 1009 | WW03F00054 | MOTOR |
| 1010 | WW01A00048 | TUERCA AMAZ IZQ. |
| 1011 | WW02F00018 | ESPACIADOR MOTOR |
| 1013 | WW02F00222 | TARJETA SENSOR |
| 1015 | WW01F00043 | POLEA TRANSMISION |
| 1017 | WW01F00345 | BANDA UNIFICADA |
| 1017 | WW01F00345 | BANDA UNIFICADA |
| 1019 | WW03L00377 | SOPORTE ENSAMBLE |

Distribuidor Autorizado

SurteRápido.com

Venta de Refacciones
Electrodomesticas

C.L. GUD24GSSJ0WW

| Guía | Refacción | Descripción |
|-------------|------------------|--------------------------------|
| 1021 | WW01F00272 | OPRESOR POLEA |
| 1023 | WW01L00355 | REFUERZO MOTOR |
| 1025 | WW01A00031 | SOPORTE HORQUILLA |
| 1027 | WW01A00091 | RESORTE HORQUILLA |
| 1029 | WW01F00263 | TERMOACTUADOR |
| 1031 | WW01F00015 | CAMBIADOR |
| 1031 | WW02F00796 | CAMBIADOR |
| 1033 | WW01A00029 | HORQUILLA CAMBIADOR |
| 1035 | WW03A00214 | ENSAMBLE POLEA DE ALUM |
| 1037 | WW01A00053 | RESORTE CAMBIADOR |
| 1039 | WW03A00072 | TUERCA POLEA MOTOR |
| 1041 | WW02L00020 | PROTECTOR TINA |
| 1043 | WW01A00446 | CLIP CAPACITOR |
| 1045 | WW01F00342 | CAPACITOR |
| 1047 | WW02L00015 | MANGUERA |
| 1047 | WW03F00542 | MANGUERA |
| 1049 | WW02F00011 | BOMBA |
| 1051 | WW03F00053 | MANGUERA |
| 1052 | WW01A00094 | ABRAZADERA |
| 1053 | WW01A00447 | ABRAZADERA |
| 1055 | WW03A00002 | ABRAZADERA |
| 1057 | WW02A00021 | CLIP MANGUERA |
| 1059 | WW03A00058 | TOPE MANGUERA |
| 1101 | WW02A00030 | TORNILLO |
| 1101 | WW02A00211 | TORNILLO |
| 1103 | WW02A00032 | TORNILLO |
| 1106 | WW02A00027 | SCREW |
| 1107 | WS01A01415 | TORNILLO 8-18 AB IHW 3/8 SN |
| 1108 | WW01A00448 | TORNILLO |
| 1108 | WW03A00092 | TORNILLO |
| 1109 | WW01A00449 | TO 2RNILLO 8-16B FLP .525 S ZN |
| 1111 | WW01A00067 | TORNILLO AGITADOR |
| 1113 | WW01A00082 | TORNILLO SOPORTE |
| 1115 | WW01A00450 | TORNILLO 8-18 AB 1/2 |
| 1116 | WW03A00103 | TORNILLO Y ARANDELA ENS |

Distribuidor Autorizado

SurteRápido.com

Venta de Refacciones
Electrodomesticas

C.L. GUD24GSSJ0WW

| Guía | Refacción | Descripción |
|-------------|------------------|-------------------------------|
| 1117 | WW01A00452 | TORNILLO |
| 1118 | WW02A00024 | TORNILLO SOP BALERO-SOP PRINC |
| 1120 | WW02A00031 | TORNILLO |
| 1121 | WW01A00001 | TORNILLO |
| 1122 | WW01A00076 | TORNILLO SUJECION |
| 1123 | WW01A00084 | TORNILLO |
| 1131 | WW02A00028 | TORNILLO |
| 1132 | WW02L00033 | ESPACIADOR ESPUMADO |
| 1135 | WW03A00073 | TUERCA RAPIDA |
| 1141 | WW01A00063 | TORNILLO |
| 1143 | WW01A00453 | TORNILLO SUJECION BOMBA |
| 1147 | WW01A00439 | TORNILLO 6-32 MCH FLP 340 SS |
| 1149 | WW03A00070 | TORNILLO TIERRA |
| 1151 | WW03A00063 | TORNILLO |
| 1153 | WW01A00454 | TORNILLO 30 X 20 IA PP |
| 1155 | WW01A00455 | TORNILLO |
| 1157 | WW01A00456 | TORNILLO #10 |
| 1162 | WW01A00099 | TORNILLO FONDO CANASTA |
| 1164 | WW01A00089 | TORNILLO |