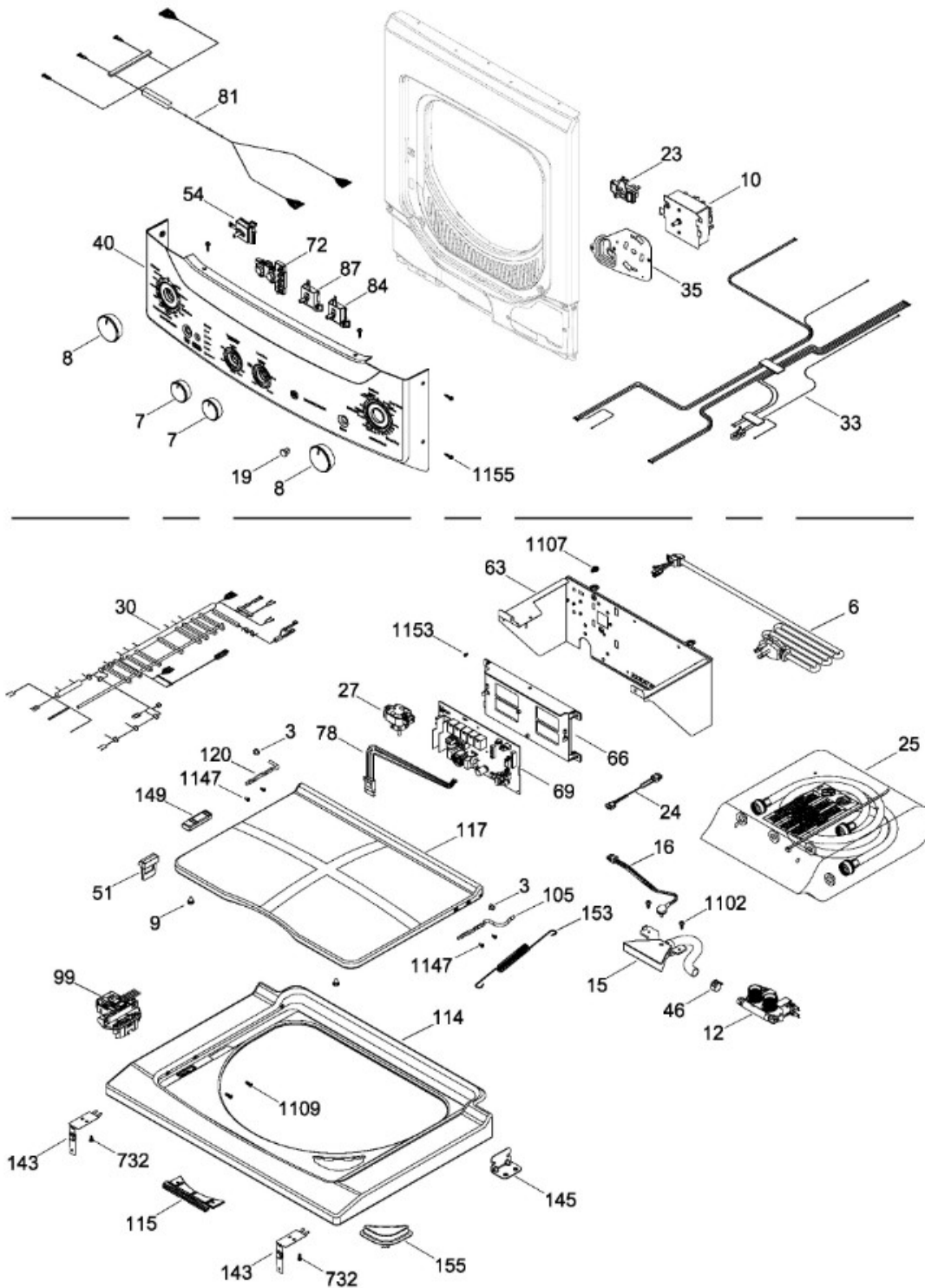


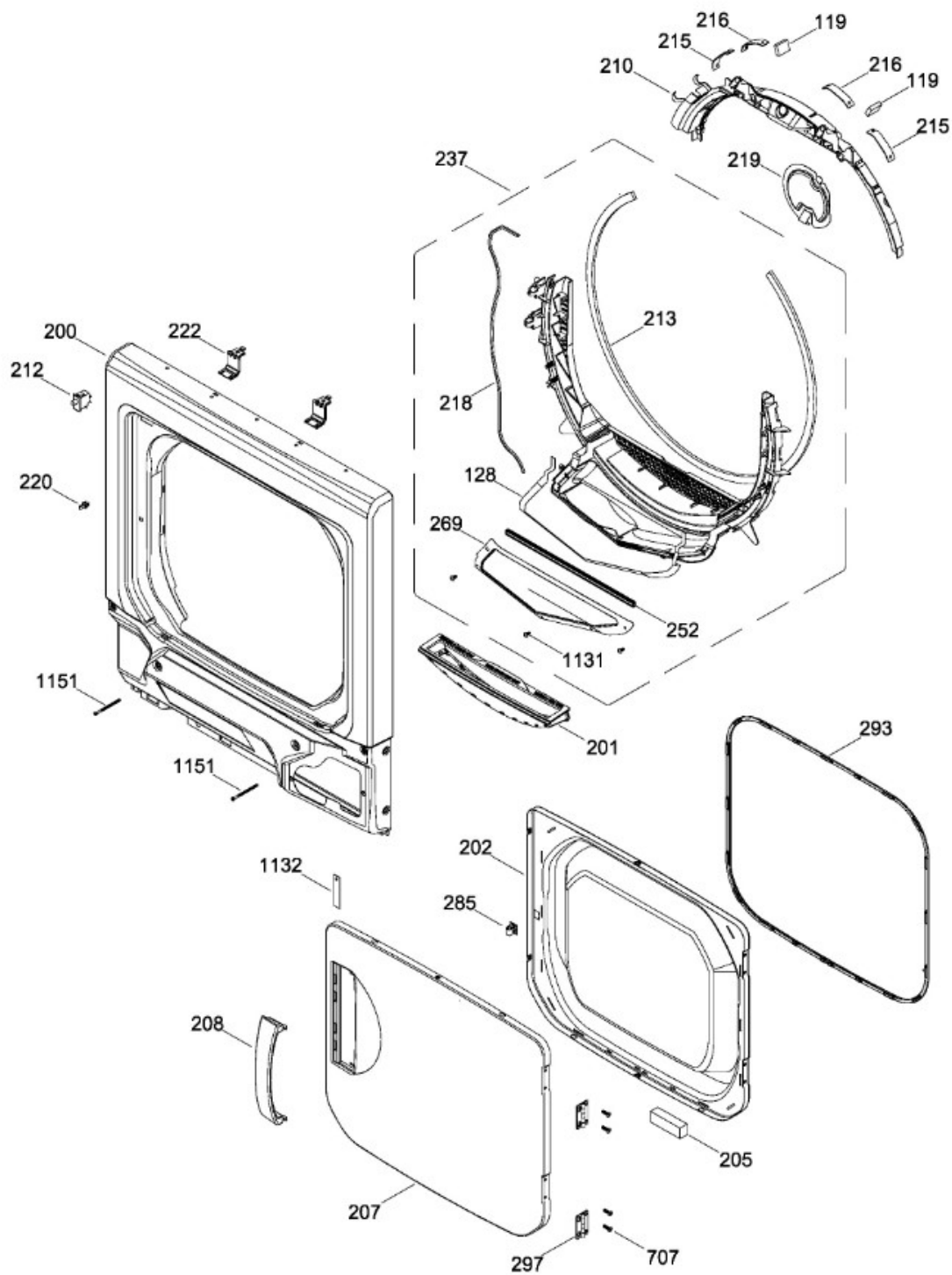
TAPA Y CONTROLES / LID AND CONTROLS

GUD37ESMJ1DG



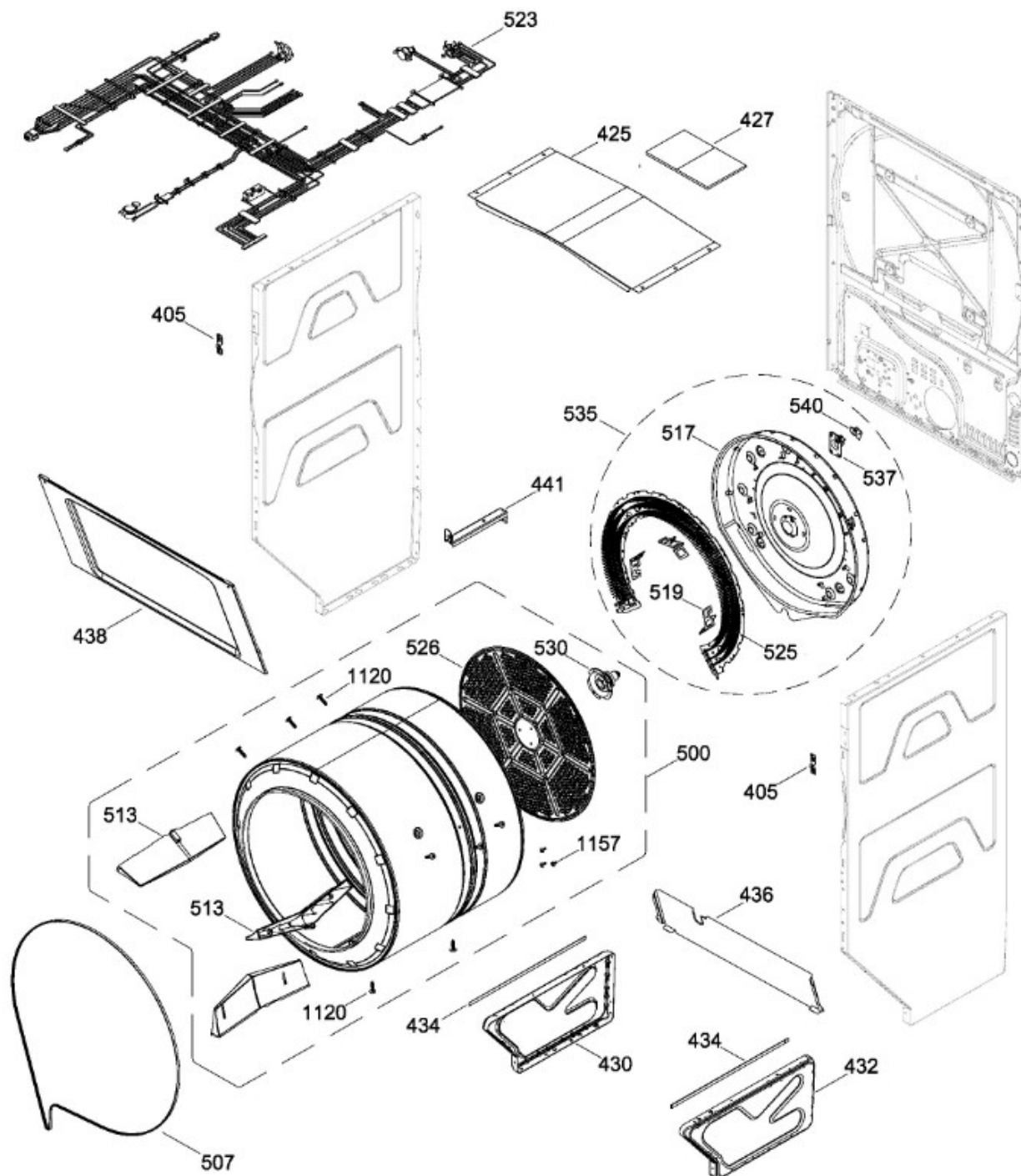
PUERTA SECADORA / DOOR DRYER

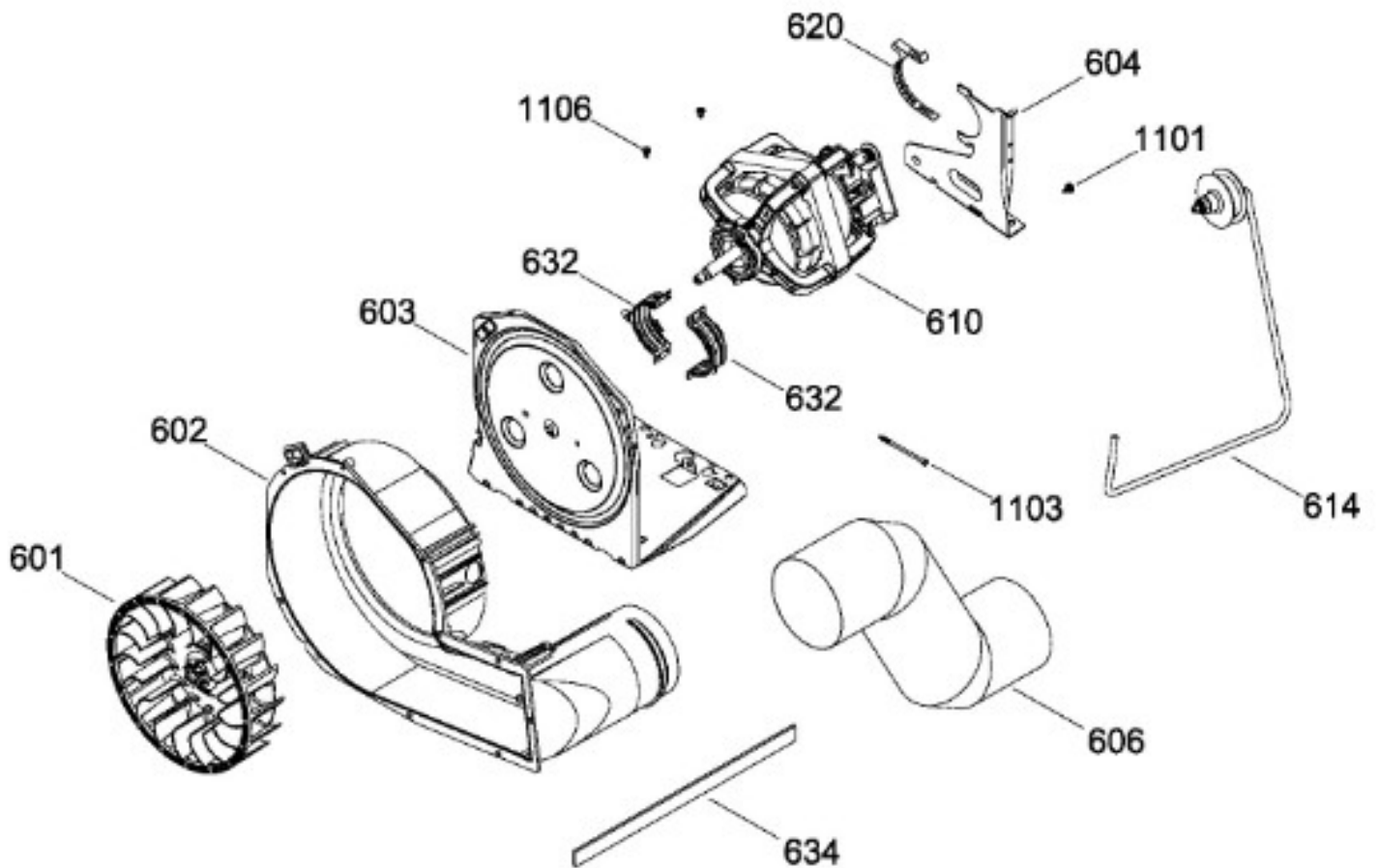
GUD37ESMJ1DG



GABINETE Y TAMBOR SECADORA /CABINET & DRUM DRYER

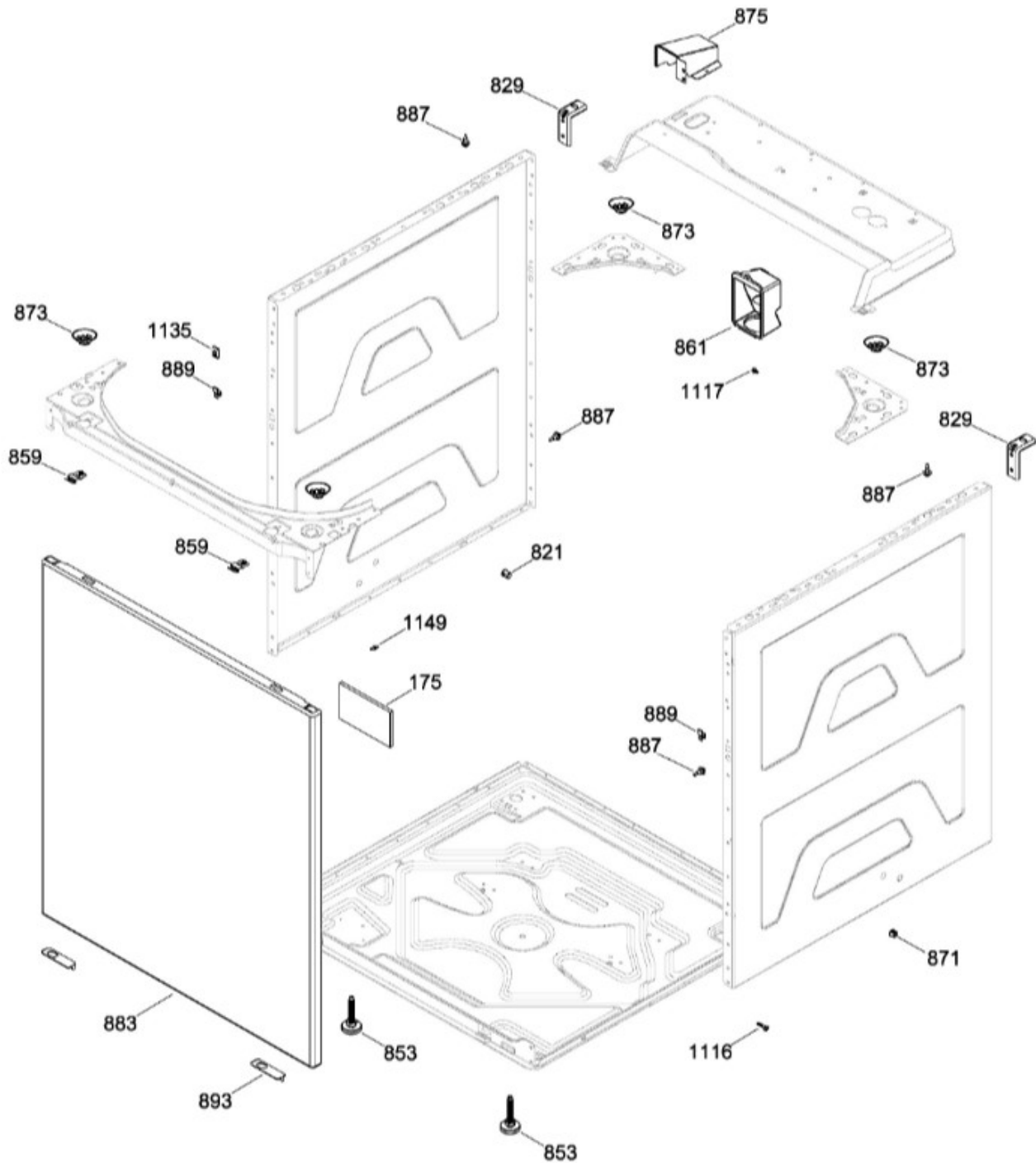
GUD37ESMJ1DG





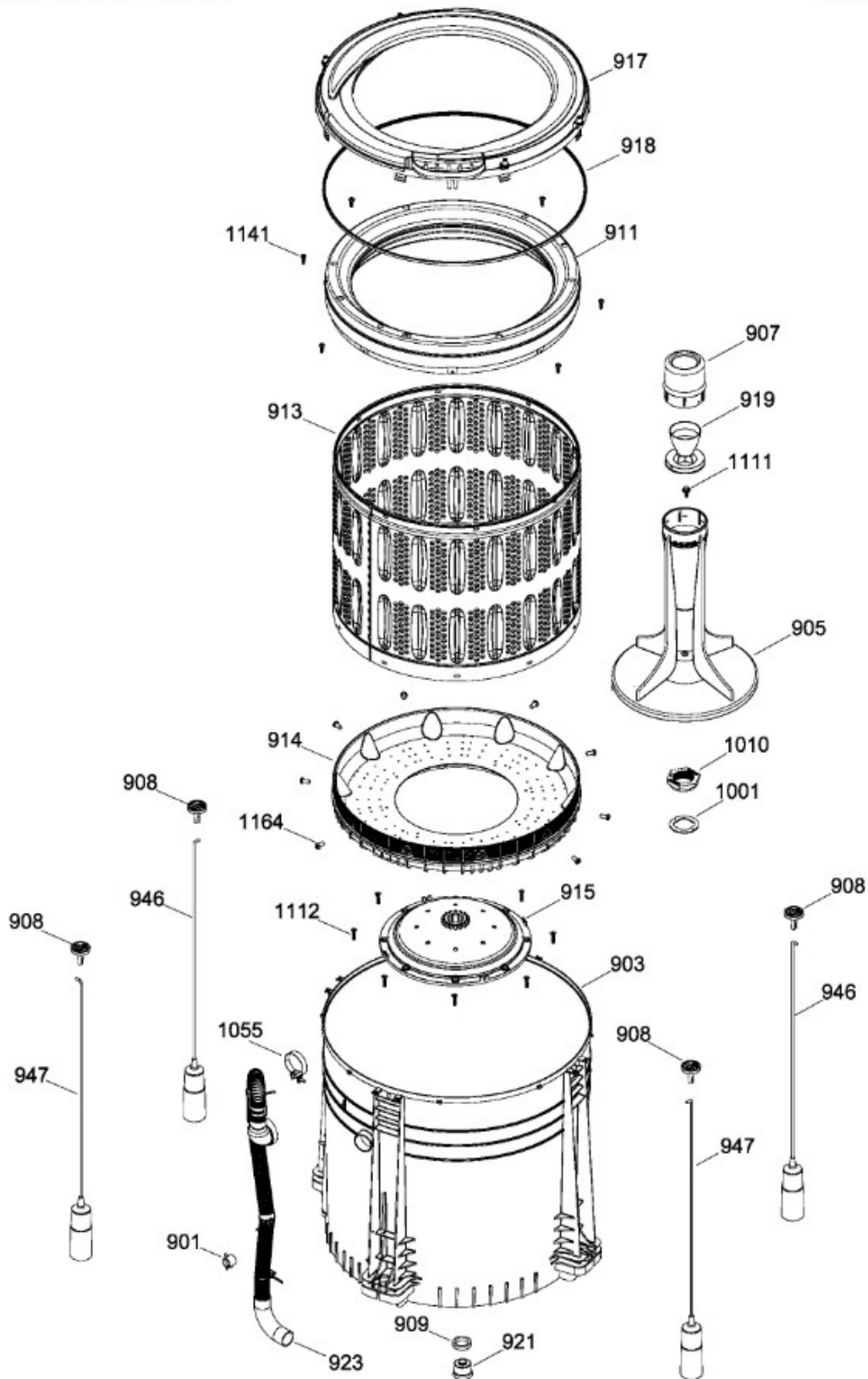
GABINETE LAV / WASHER CABINET

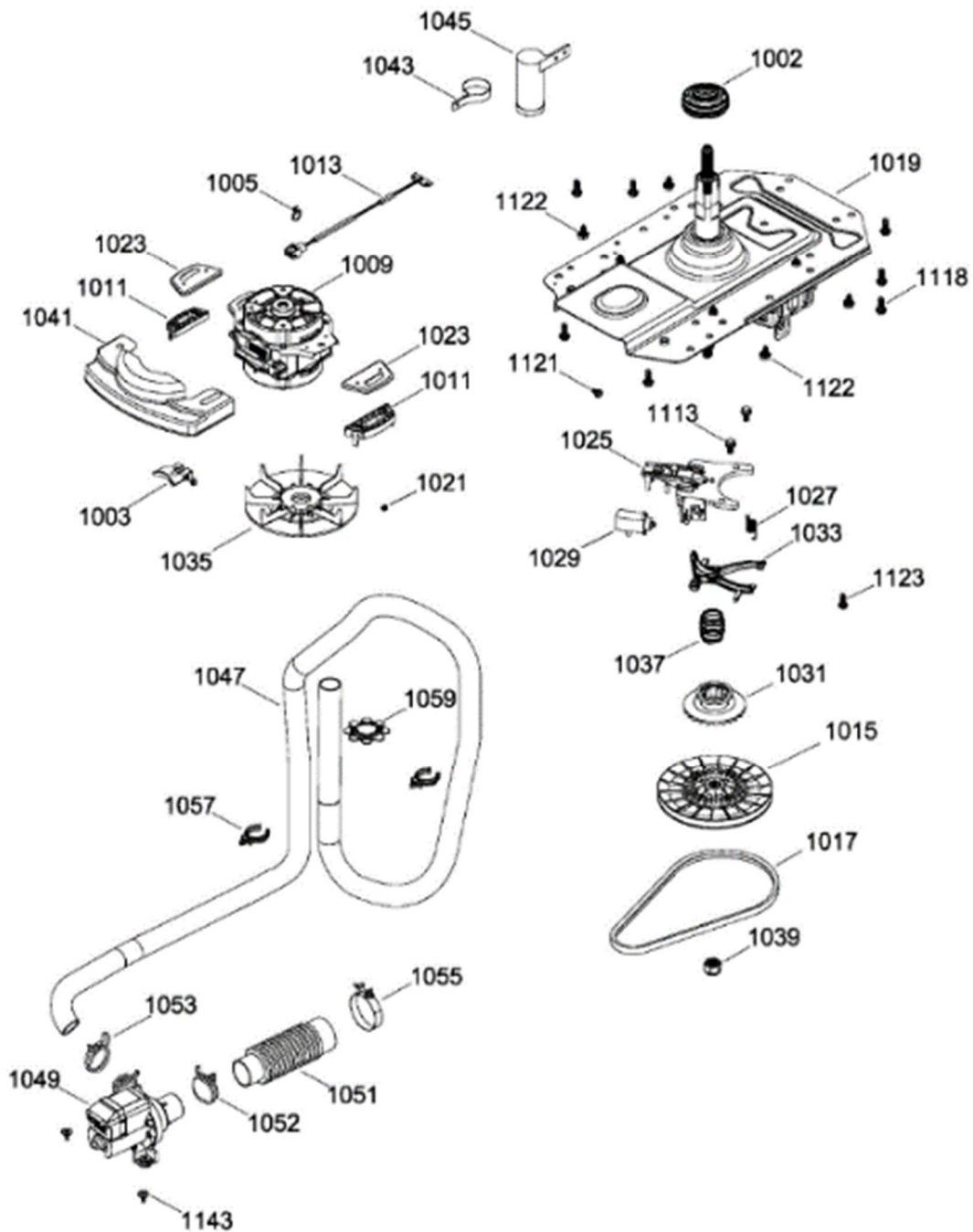
GUD37ESMJ1DG



TINA LAVADORA / TUB WASHER

GUD37ESMJ1DG





Guía	Refacción	Descripción
3	WW03A00011	BUJE BISAGRA
6	WW03F00109	CORDON TOMACORRIENTE(240V CA)
7	WW03L00389	ENSAMBLE PERILLA ROTATORIA
7	WW03L00444	ENSAMBLE PERILLA ROTATORIA
8	WW01L01428	PERILLA CONTROL ENSAMBLE
8	WW03L00445	PERILLA CONTROL ENSAMBLE
8	WW03L00447	PERILLA DE CONTROL
8	WW03L00460	PERILLA CONTROL ENSAMBLE
9	WW03A00059	TOPE TAPA
9	WW03A00283	TOPE TAPA
10	WW03F00064	RELOJ
12	WW03F00100	VALVULA CW 47C
12	WW01F01881	VALVULA CW 47C
15	WW01F01158	ENTRADA DE AGUA ENS
16	WW03F00073	TERMISTOR ENS.
19	WW03L00396	BUTTON AND CLIP ASM
23	WW02L00024	INTERRUPTOR ARRANQUE
24	WW03F00002	ARNES EXTENSION ENS.
25	WW02L00026	MANGUERAS
27	WW03F00101	PRESOSTATO ELECTRONICO
30	WW01F01159	ARNES PRINCIPAL LAVADORA ENS
33	WW03F00013	ARNES UI ENS
35	WW03A00054	SOPORTE CONTROLES
35	WW03A00255	SOPORTE CONTROLES
40	WW01F01642	PANEL DE CONTROL Y HT TRANSFER
46	WW01A00113	ABRASADERA MANGUERA
51	WW03F00001	ACTUADOR
54	WW03F00047	SELECTOR PROGRAMA
63	WW01L01168	PROTECTOR TARJETA
66	WW01L01153	PORTA TARJETA
69	WW03F00536	TARJETA 27
72	WW01F01643	TARJETA BOTONES
78	WW03F00104	ARNES PRESOSTATO ENS
81	WW03F00105	ARNES SELECTOR ENS
84	WW03F00106	SELECTOR SWITCH
87	WW01F00338	SELECTOR 5 PROGRAMAS
99	WW03F00016	BLOCAPUERTA
105	WW03L00006	BISAGRA CUBIERTA



<b>Guía</b>	<b>Refacción</b>	<b>Descripción</b>
114	WW03L00386	CUBIERTA LAVADORA
115	WW03A00009	BRACKET
115	WW03A00277	BRACKET
117	WW03L00387	TAPA LAVADORA
119	WW02F00131	FIELTRO
119	WW02F00784	FIELTRO
120	WW03L00007	BISAGRA CUBIERTA
128	WW03A00117	SELLO
143	WW03A00012	CLIP CUBIERTA
145	WW03A00055	SOPORTE RESORTE
149	WW03F00049	MAGNETO
153	WW03A00033	RESORTE CUBIERTA LAVADOR
155	WW03F00031	DESPACHADOR CLORO
155	WW03F00031	DESPACHADOR CLORO
175	WW03L00037	PARCHE IMPACTO
175	WW03L00037	PARCHE IMPACTO
200	WW03L00391	PANEL FRONTAL
201	WW02F00617	FILTRO ATRAPAPELUSA
202	WW03L00044	PUERTA INT.
205	WW03A00211	ESPACIADRO DE PUERTA SOLIDA
207	WW03L00392	PUERTA EXTERIOR
208	WW03L00393	JALADERA PUERTA SOLIDA
210	WW01L01430	ENS. COJINETE SUPERIOR
212	WW02L00025	INTERRUPTOR PUERTA
213	WW01L01329	FELPA COLECTOR DE AIRE
213	WW02F00783	FELPA COLECTOR DE AIRE
213	WW02F00783	FELPA DUCTO RECOLECTOR
213	WW02F00783	FELPA DUCTO RECOLECTOR
215	WW03A00015	COJINETE DESLIZABLE
216	WW03A00016	COJINETE DESLIZABLE
216	WW02A00250	COJINETE DESLIZABLE
218	WW03F00010	ARNES PUERTA
219	WW03L00047	TAPA DUCTO
220	WW02A00004	STRIKE
222	WW03A00053	SOPORTE TOP BEARING
222	WW02F00762	SOPORTE TOP BEARING
237	WW01F01169	DUCTO RECOLECTOR ENS
252	WW01L01158	SELLO CUBIERTA DUCTO RECOLECTO

Guía	Refacción	Descripción
269	WW03L00012	CUBIERTA DUCTO RECOLECTOR
285	WW02L00037	LATCH ASM.
293	WW03F00532	SELLO PUERTA
297	WW02L00028	BISAGRA PUERTA
405	WW03A00014	CLIP PANEL FRONTAL
405	WW03A00254	CLIP PANEL FRONTAL
425	WW01A00577	PROTECTOR SUPERIOR
427	WW01F01577	AISLANTE HOJA
430	WW03A00051	SOPORTE BASE CHASIS
432	WW03A00050	SOPORTE BASE CHASIS
434	WW03A00042	SELLO DE SALIDA
436	WW03L00064	DEFLECTOR DE CALOR
436	WW01L01791	DEFLECTOR DE CALOR
438	WW03L00385	PANEL DE ACCESO
441	WW01L01171	REFUERZO
500	WW02L00022	TAMBOR ALETAS ENS.
507	WW02F00028	BANDA SECADORA
507	WW02F00854	BANDA SECADORA
513	WW03L00003	ALETA
513	WW02F00851	ALETA
513	WW02F00851	ALETA
517	WW02L00021	CUBIERTA CALENTADOR
517	WW02L00021	CUBIERTA CALENTADOR
519	WW01A00442	SOPORTE DE PROTECCION
523	WW03F00367	ARNES ENSAMBLE PRINCIPAL
525	WW01F01127	CALENTADOR ENS.
526	WW02F00827	DIFUSOR
530	WW02A00019	ENS. SOPORTE BUJE
535	WR01F02479	CALENTADOR CUBIERTA ENS.
537	WW02A00005	RETENEDOR RODAMIENTO
540	WW02F00833	SOPORTE TIERRA ENS
601	WW01F01162	VENTILADOR REDONDO
601	WW02A00011	VENTILADOR REDONDO
602	WW02L00013	CAJA DEL VENTILADOR
602	WW02L00433	CAJA DEL VENTILADOR
603	WW01L01163	BASE MOTOR
603	WW01L01163	BASE MOTOR
603	WW02L00642	BASE MOTOR

Guía	Refacción	Descripción
604	WW02F00027	SOPORTE MOTOR
606	WW03F00033	DUCTO ESCAPE
606	WW02F00780	DUCTO ESCAPE
610	WW03F00447	MOTOR POLEA ENSAMBLE
614	WW02A00008	ENS. BRAZO AUXILIAR
614	WW03F00350	ENS. BRAZO AUXILIAR
620	WW02F00031	CLIP MOTOR
632	WW02F00003	CORREA MOTOR
632	WW02A00232	CORREA MOTOR
634	WW02A00026	EMPAQUE ESCAPE SOPLADOR
634	WW02F00785	EMPAQUE ESCAPE SOPLADOR
707	WW01A00539	TORNILLO
732	WW03A00092	TORNILLO 6-16 B B1Q1 3/4
821	WW01L01164	TAPON DE BOTON
821	WW01L01164	TAPON DE BOTON
829	WW02A00014	SOPORTE DE AJUSTE
853	WW03L00038	PATA NIVELADORA
859	WW03A00013	CLIP CIERRE
861	WW03L00050	TAPA MANGUERA
861	WW03L00463	TAPA MANGUERA
871	WW01L01166	TAPON
873	WW03L00005	BASE ROTULA
875	WW03F00009	CUBIERTA ARNES PRINCIPAL
883	WW03L00388	PANEL FRONTAL LAVADORA
887	WW03A00028	PERNO ALINEADOR
889	WW01A00445	CLIP DE TIERRA
893	WW02L00031	CALZA NIVELADORA
901	WW01A00068	ABRAZADERA MANGUERA
903	WW02L00004	TINA
905	WW01L00096	AGITADOR
907	WW03L00051	TAPA FSD
908	WW01F00265	ROTULA
909	WW03F00128	GASKET
911	WW01L00017	ARO DE BALANCE ENS
913	WW01L01387	CANASTA ACERO INOXIDABLE
913	WW01L01744	CANASTA ACERO INOXIDABLE
914	WW01L00154	FONDO PLASTICO
915	WW03A00215	FONDO CANASTA

Guía	Refacción	Descripción
917	WW01L01761	CUBIERTA TINA 10 KG
918	WW01L00467	SELLO CUBIERTA TINA
919	WW01L00432	COPA SUAVISANTE FSD
921	WW01F01152	TAPON TUBO PRESOSTATO
921	WW01F01152	TAPON TUBO PRESOSTATO
923	WW03F00052	MANGUERA
946	WW03F00501	VARILLA ENSAMBLE
947	WW03F00504	VARILLA ENSAMBLE
1001	WW01A00556	ARANDELA PLANA NUEVA
1002	WW02F00547	SELLO TINA
1003	WW01F01172	SOPORTE TARJETA SENSOR
1005	WW01A00006	CINCHO ESPADA (BOMBA Y ARNES)
1009	WW03F00534	MOTOR
1010	WW01A00048	TUERCA AMAZ IZQ.
1011	WW02F00018	ESPACIADOR MOTOR
1013	WW02F00222	TARJETA SENSOR
1015	WW01F00043	POLEA TRANSMISION
1017	WW01F00345	BANDA UNIFICADA
1017	WW01F00345	BANDA UNIFICADA
1019	WW03L00378	SUPPORTS ASSEMBLY
1021	WW01F00272	OPRESOR POLEA
1023	WW01L00355	REFUERZO MOTOR
1025	WW01A00031	SOPORTE HORQUILLA
1027	WW01A00091	RESORTE HORQUILLA
1029	WW01F00263	TERMOACTUADOR
1031	WW01F00015	CAMBIADOR
1031	WW02F00796	CAMBIADOR
1033	WW01A00029	HORQUILLA CAMBIADOR
1035	WW03F00060	POLEA MOTOR ENSAMBLE
1037	WW01A00053	RESORTE CAMBIADOR
1039	WW03A00072	TUERCA POLEA MOTOR
1041	WW02L00020	PROTECTOR TINA
1043	WW01A00446	CLIP CAPACITOR
1045	WW01F00342	CAPACITOR
1047	WW02L00015	MANGUERA
1047	WW03F00542	MANGUERA
1049	WW02F00011	BOMBA
1051	WW03F00053	MANGUERA

Guía	Refacción	Descripción
1052	WW01A00094	ABRAZADERA MANGUERA
1053	WW01A00447	ABRAZADERA
1055	WW03A00002	ABRAZADERA
1057	WW02A00021	CLIP MANGUERA
1059	WW03A00058	TOPE MANGUERA
1101	WW02A00030	TORNILLO
1101	WW02A00211	TORNILLO
1102	WW02A00029	TORNILLO
1102	WW02A00211	TORNILLO
1103	WW02A00032	TORNILLO
1106	WW02A00027	SCREW
1107	WS01A01415	TORNILLO 8-18 AB IHW 3/8 SN
1109	WW01A00449	TO 2RNILLO 8-16B FLP .525 S ZN
1111	WW01A00067	TORNILLO AGITADOR
1112	WW01A00099	TORNILLO FONDO CANASTA
1113	WW01A00082	TORNILLO SOPORTE
1115	WW01A00450	TORNILLO 8-18 AB 1/2
1116	WW03A00103	TORNILLO Y ARANDELA ENS
1117	WW01A00452	TORNILLO
1118	WW02A00024	TORNILLO SOP BALERO-SOP PRINC
1120	WW02A00031	TORNILLO
1121	WW01A00001	TORNILLO
1122	WW01A00076	TORNILLO SUJECION
1123	WW01A00084	TORNILLO
1131	WW02A00028	TORNILLO
1132	WW02L00033	ESPACIADOR ESPUMADO
1135	WW03A00073	TUERCA RAPIDA
1141	WW01A00063	TORNILLO
1143	WW01A00453	TORNILLO SUJECION BOMBA
1147	WW01A00439	TORNILLO 6-32 MCH FLP 340 SS
1149	WW03A00070	TORNILLO TIERRA
1151	WW03A00063	TORNILLO
1153	WW01A00454	TORNILLO 30 X 20 IA PP
1155	WW01A00455	TORNILLO
1157	WW01A00456	TORNILLO #10
1164	WW01A00089	TORNILLO