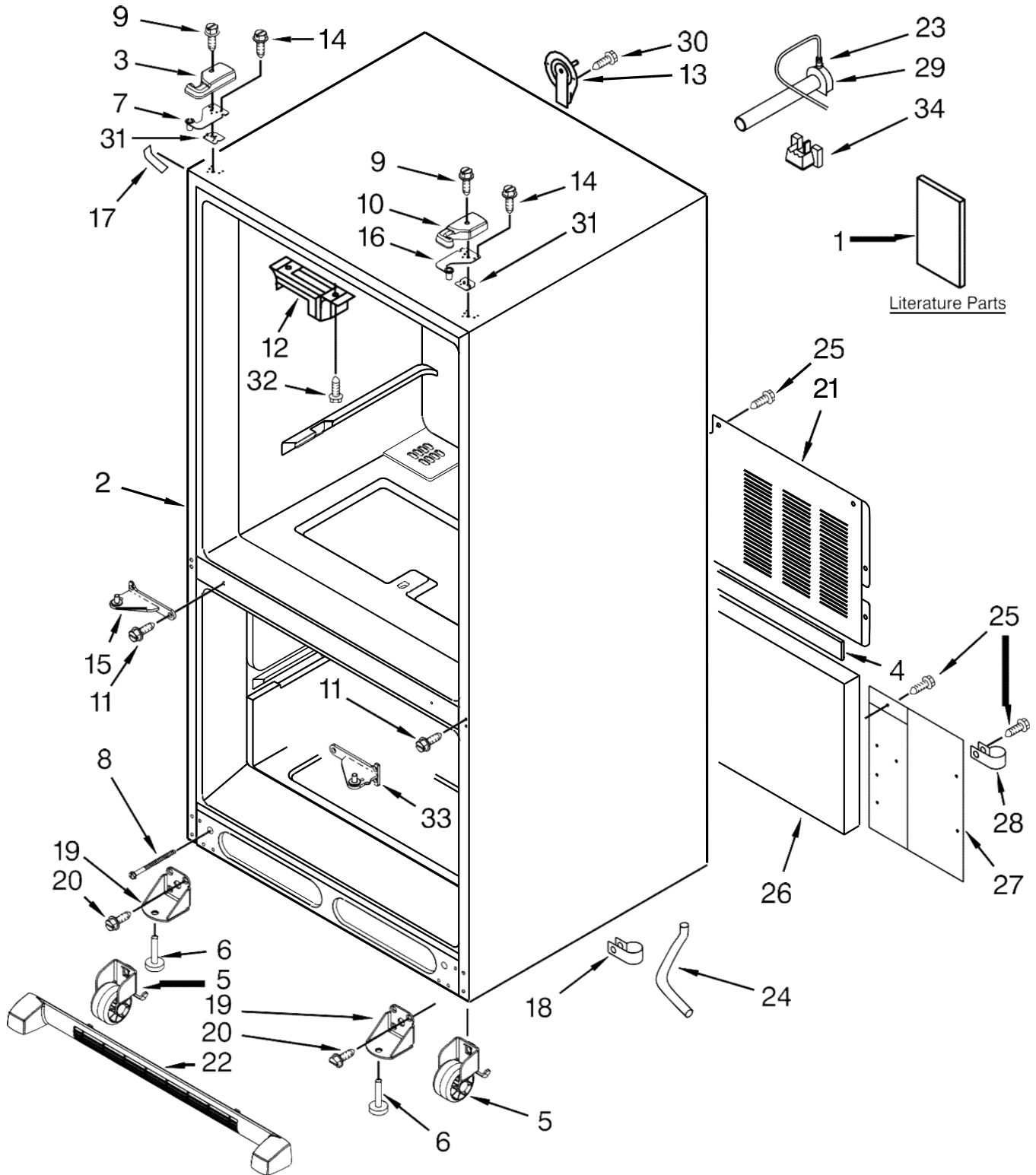




REFRIGERATOR

MODELS:

GX5FHTXVQ00 (White)
GX5FHTXVB00 (Black)
GX5FHTXVA00 (Monochromatic Satina)
GX5FHTXVY00 (Monochromatic Stainless)



Illus.

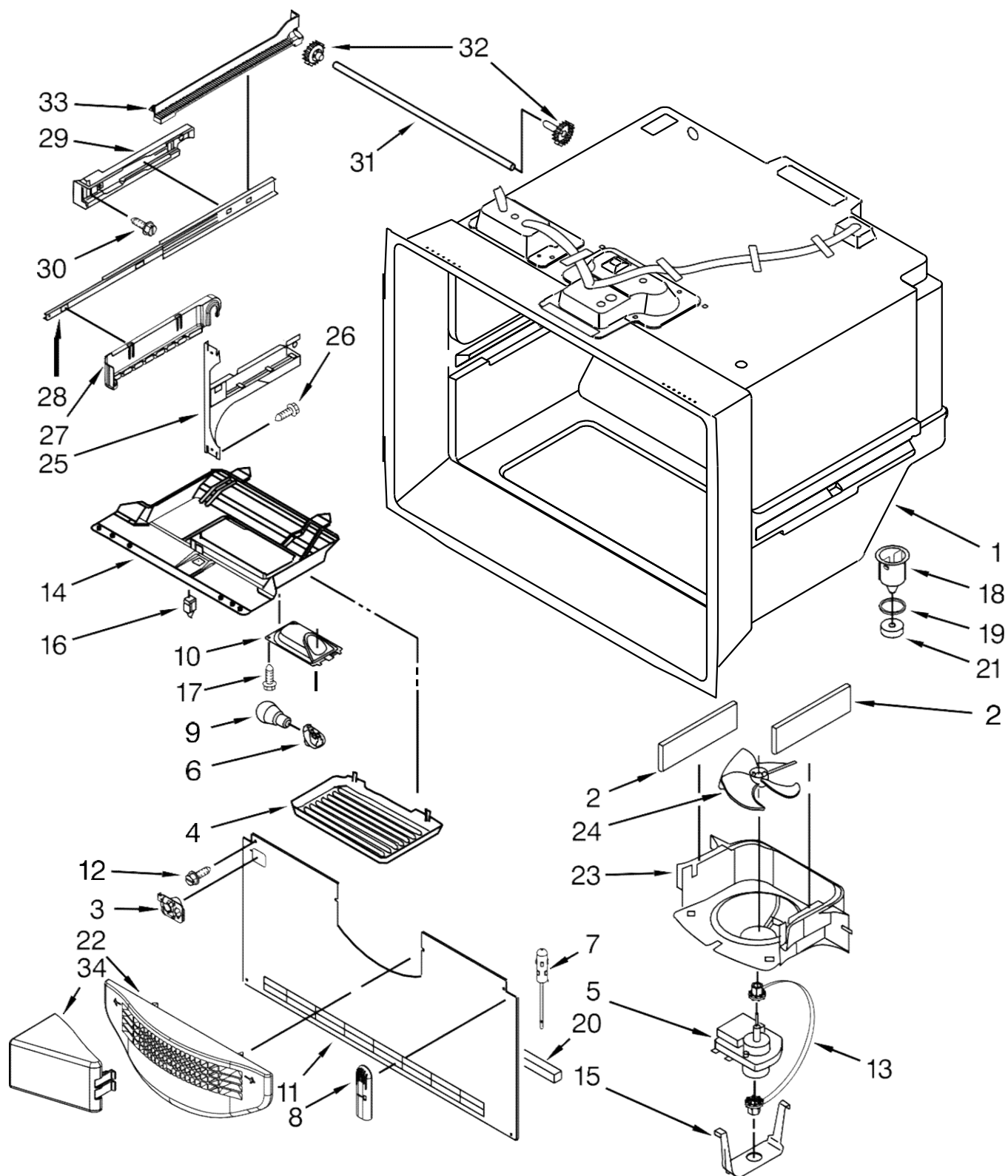
<u>No.</u>	<u>Part No.</u>	<u>Description</u>
1		Literature Parts
	W10200283	Guide, Use & Care
	W10187810	Energy Guide
	12827967	Tech Sheet
2		Cabinet (Not a Servicable Part)
3		Cover, Left Hinge
	67005953	White
	67005951	Black
	W10191116	Grey
4	B5759649	Gasket
5	67006118	Assembly, Roller Bracket
6	67003868	Brake, Foot
7		Top Hinge
	12963204ED	Left Hand
8	67006611	Bolt, Roller Adjusting
9	67006521	Screw, Hinge Cover
10		Cover, Right Hinge
	67005958	White
	67005956	Black
	W10191117	Grey

Illus.

<u>No.</u>	<u>Part No.</u>	<u>Description</u>
11	67005822	Screw
12	67003405	Plate, Pivot
13	67003331	Cover, Waterline
14	67006303	Screw, Top Hinge
15		Hinge, Center (LT)
	67006277	White
	67006442	Black
	W10191142	Grey
16		Top Hinge
	12963205ED	Right Hand
17		Cover, Corner
	67003484	White
	67003485	Black
	W10191102	Grey
18	W10157973	Clip, Drain Tube
19	67007174	Bracket, Foot
20	67006564	Screw
21	12575101ED	Cover, Machine Compartment
22		Grille, Toe
	67006377	White
	67006375	Black
	W10191107	Grey

Illus.

<u>No.</u>	<u>Part No.</u>	<u>Description</u>
23	M0114003	Clip, Speed
24	W10164397	Tube, Drain
25	67006425	Screw
26	67003796	Fiber, Acoustic
27	67004098	Cover, Water Valve
28	M0108105	Clamp, Tube
29	W10137519	Elbow, Fill Tube
30	67006287	Screw
31		Shim, Top Hinge
	67006308	Left Hand
	67006309	Right Hand
32	67006669	Screw, Block
33		Hinge, Center (RT)
	67006379	White
	67006443	Black
	W10191143	Grey
34	67004092	Block, Filter Mounting



Illus.

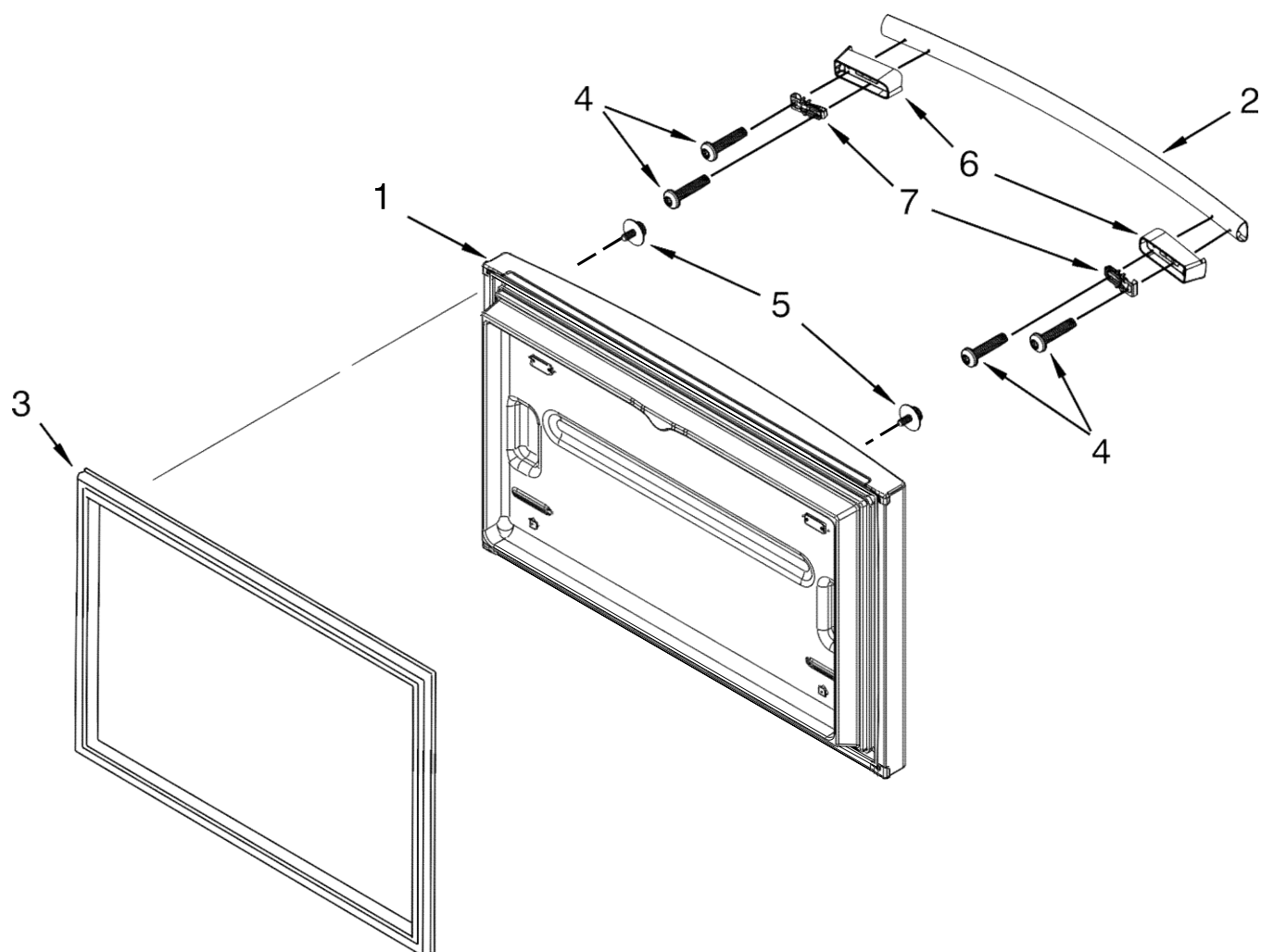
<u>No.</u>	<u>Part No.</u>	<u>Description</u>
1		Liner (Not A Serviceable Part)
2	67001291	Gasket, Foam
3	67005874	Guide, Fill Tube
4	67003905	Cover, Light
5	W10128551	Motor, Evaporator
6	Y12570701	Socket, Light
7	12002355	Thermistor
8	67003924	Cover, Thermistor
9	A0282812	Bulb, Light
10	67001035	Housing, Freezer Light
11	67005873	Cover, Evaporator
12	67006425	Screw
13	W10121318	Grommet
14	67003906	Module, Freezer Control
15	W10208652	Clip, Evap. Motor

Illus.

<u>No.</u>	<u>Part No.</u>	<u>Description</u>
16	67005653	Switch, Light
17	67006530	Screw
18	D7753903	Funnel, Drain
19	M0500703	Seal
20	67002492	Gasket, Bottom
21	B8381501	Gasket, Drain
22	W10175909	Grille
23	W10167023	Shroud, Evaporator
24	2169142	Blade, Fan
25		Bracket, Door
	W10122147	Left Hand
	W10122148	Right Hand
26	67006473	Screw, Bracket
27		Cradle, Basket
	W10187668	Left Hand
	W10187667	Right Hand
28	W10120018	Slide, Door

Illus.

<u>No.</u>	<u>Part No.</u>	<u>Description</u>
29		Adapter, Slide
	W10149390	Left Hand
	W10149391	Right Hand
30	67006406	Screw
31	67004017	Shaft, Rack
32		Gears
	67006407	Right Hand
	67004430	Left Hand
33		Rail, Side
	W10146443	Left Hand
	W10146444	Right Hand
34	W10157765	Diverter, Air
		Following Parts Not Illustrated
	67006095	Harness, Lights (Freezer)



Illus.No. Part No. Description

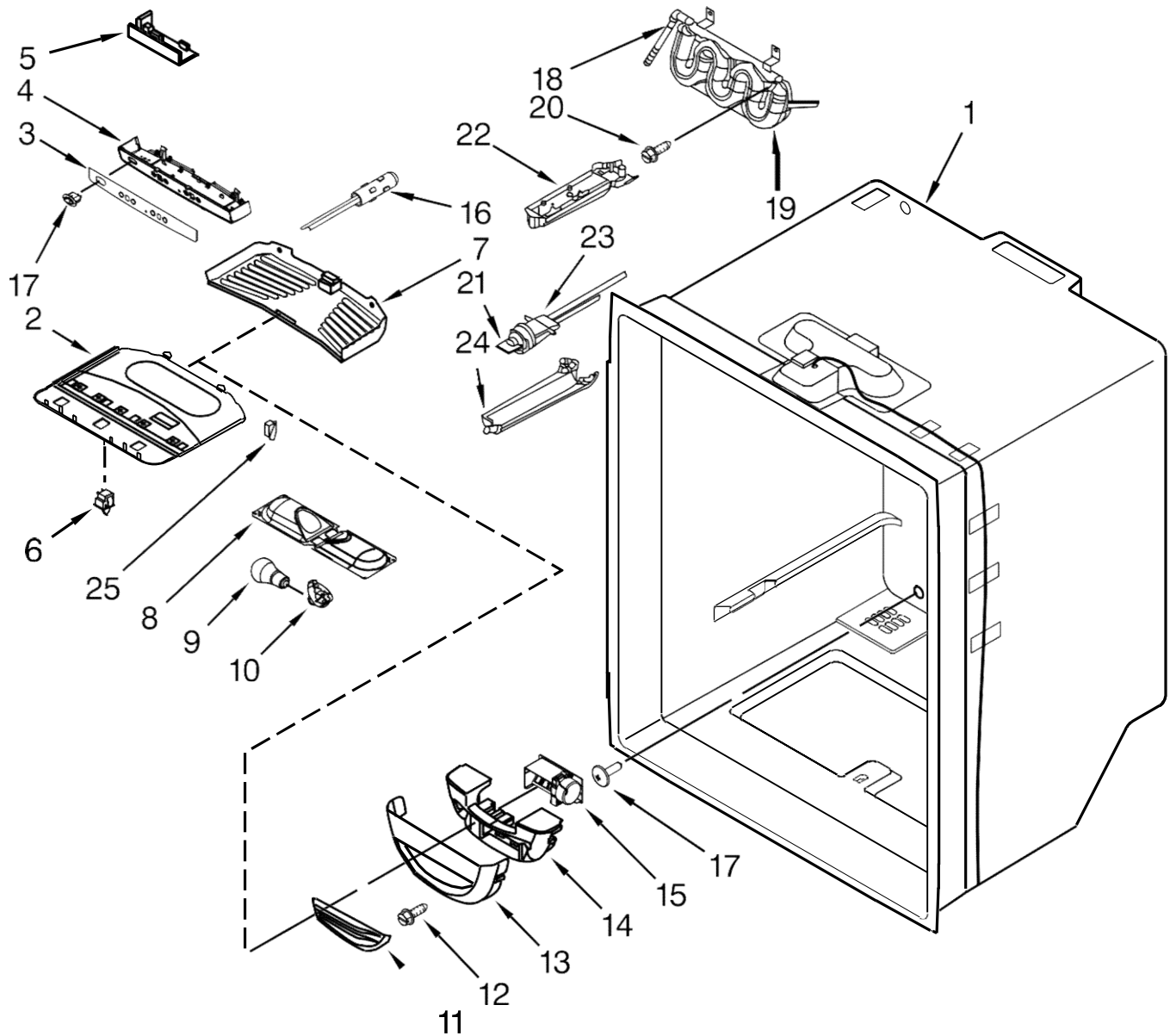
1		Door, Freezer
	W10199889	White
	W10199891	Black
	W10199885	Stainless
	W10205735	Satina
2		Handle, Door
	W10159708	White
	W10159709	Black
	W10159711	Stainless

Illus.No. Part No. Description

3		Gasket, Door
	W10164040	White
	W10164041	Black
	W10164042	Grey
4	W10201588	Screw
5	12992902	Screw

Illus.No. Part No. Description

6		Endcap, Handle
	W10157435	White
	W10157436	Black
	W10172586	Stainless
7	13067102SP	Clip, Handle



Illus.

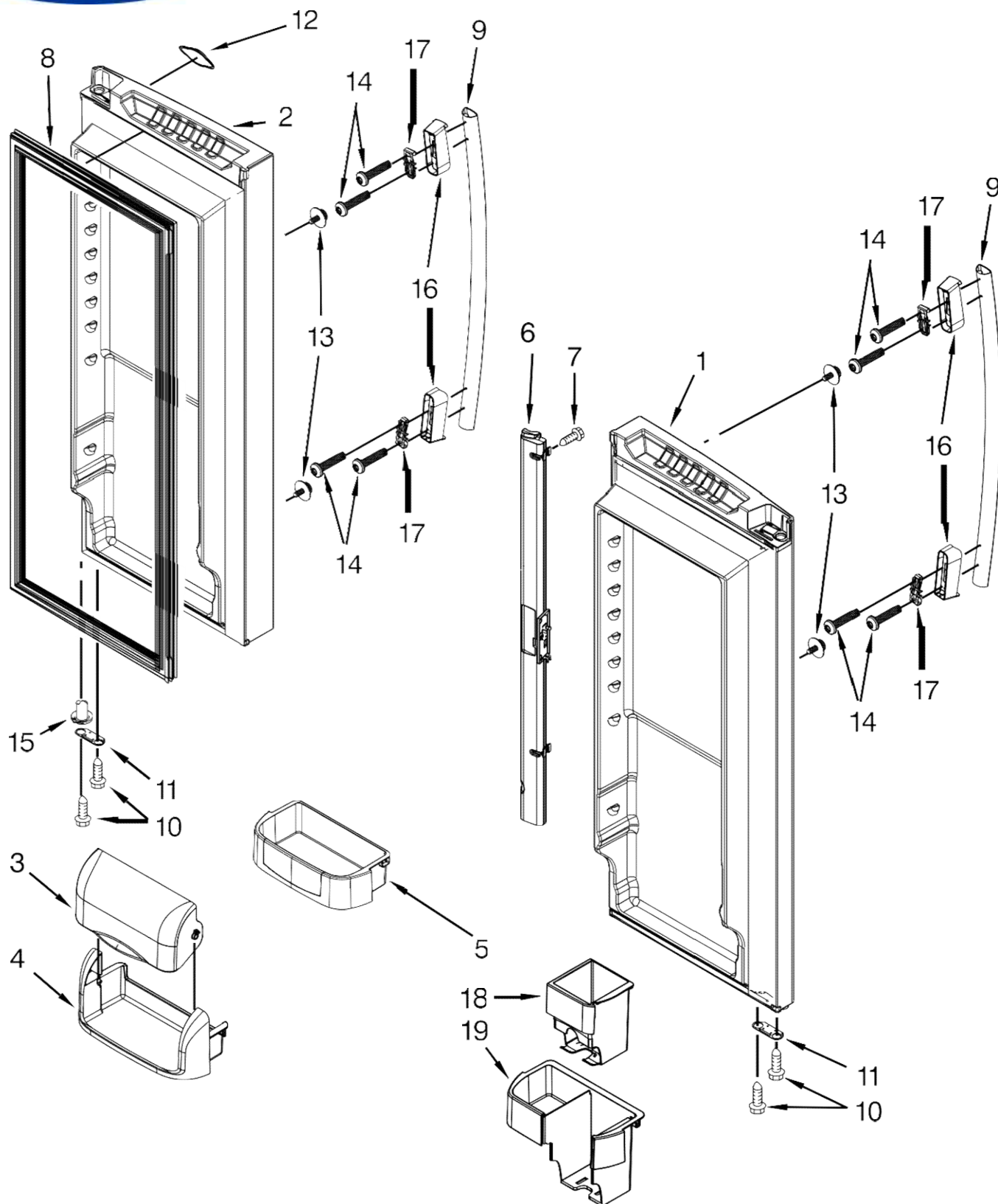
No.	Part No.	Description
1		Liner (Not A Serviceable Part)
2	67004078	Module, Light
3	W10180451	Overlay, Control
4	W10190014	Module, Control
5	W10165748	Control, Electronic
6	C3680310	Switch, Light
7	67003897	Cover, Light
8	67003901	Housing, Light
9	A0282812	Bulb, Light

Illus.

No.	Part No.	Description
10	Y12570701	Socket, Light
11	67003900	Insert, Damper Cover
12	67006602	Screw
13	67003899	Cover, Damper
14	67006604	Insulation Damper Cover
15	W10127429	Damper, Control
16	12002355	Thermistor
17	67003940	Switch, Energy Saver
18	61006182	Union, Water

Illus.

No.	Part No.	Description
19	W10153959	Tank, Water
20	67006400	Screw
21	12664501	Plug, Bypass
22	67001668	Plate, Filter
23	67006524	Head, Water Filter
24	12568001	Cover, Filter
25	8171036	Switch, Limit
		Following Parts Not Illustrated
	67004032	Harness, Controls (Refrigerator)



Illus.

No. Part No. Description

1		Door, Left
	W10199095	White
	W10199872	Black
	W10199868	Satina
	W10199863	Stainless
2		Door, Right
	W10199092	White
	W10200711	Black
	W10199871	Satina
	W10199865	Stainless
3	67003637	Door, Dairy
4	67001279	Tray, Dairy
5	67003777	Bucket, Medium
	67003768	Bucket, Shelf
6		Mullion, Door
	67003263	White
	67003264	Black
	W10199882	Grey
7	67006786	Screw

Illus.

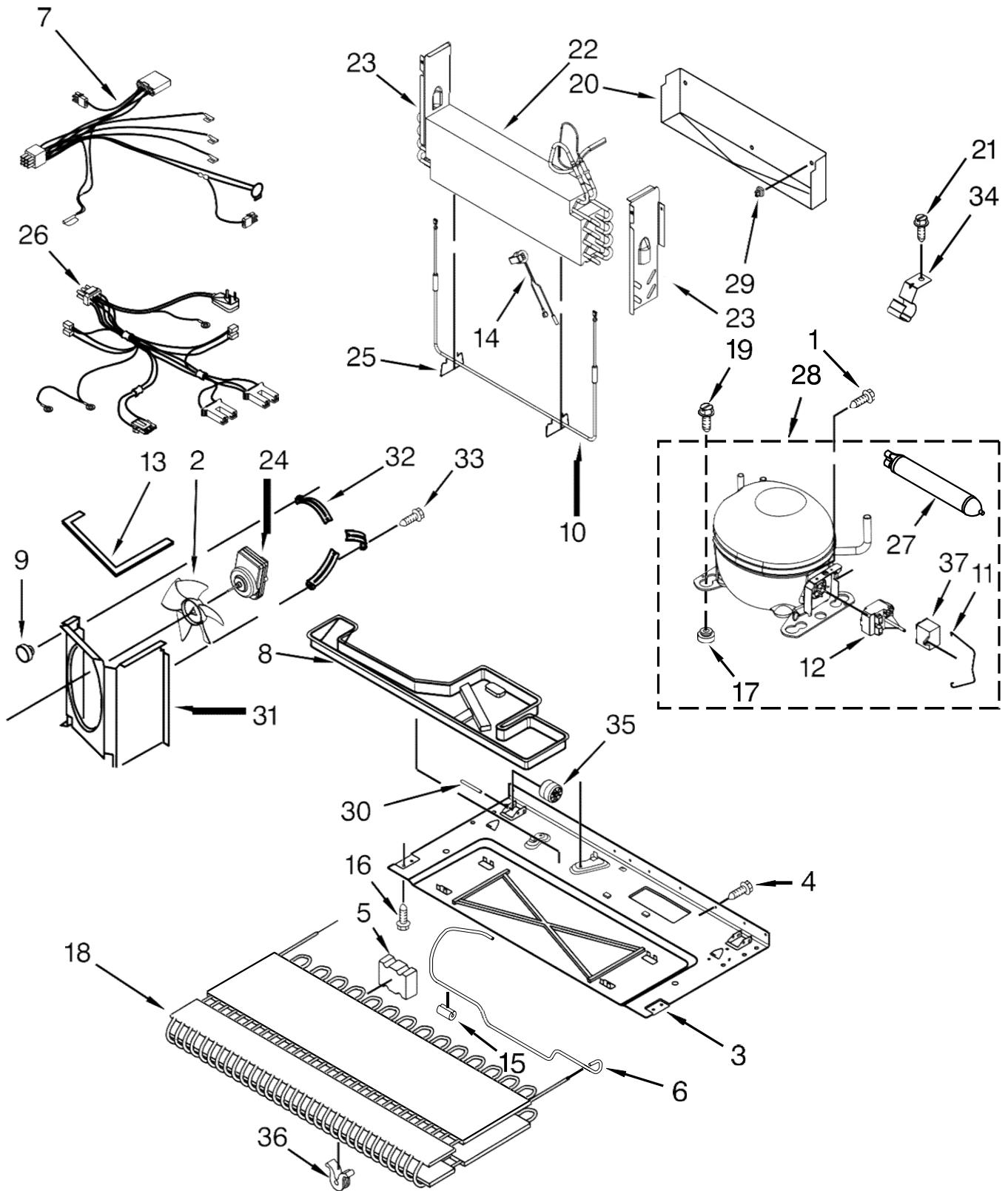
No. Part No. Description

8		Gasket, Door
	W10163894	White
	W10163895	Black
	W10179332	Grey
9		Handle, Door
	W10157427	White
	W10157428	Black
	W10157430	Stainless
10	67006287	Screw
11		Stop, Door
	12968202W	White
	67007011	Black
	W10191119	Grey
12	2220214	Nameplate, Whirlpool
		Gold
13	12992902	Screw
14	W10201588	Screw

Illus.

No. Part No. Description

15		Closure, Door
	67003638	White
	67003639	Black
	W10191100	Grey
16		Endcap, Handle
	W10157431	White
	W10157432	Black
	W10157434	Grey
	W10172585	Nickel
17	13067102SP	Clip, Handle
18	W10169346	Bucket, Can Dispenser
19	13005401SP	Sleeve, Can Dispenser



Illus.

<u>No.</u>	<u>Part No.</u>	<u>Description</u>
1	67006433	Screw
2	W10162928	Blade, Cond. Fan
3	67005889	Pan, Base
4	67006425	Screw
5	67005491	Block, Condenser
6	W10134293	Tube, Discharge
7	W10119856	Harness, Evap. Heater
8	67007175	Pan, Drain
9	61004743	Grommet, Bracket
10	67002493	Heater, Defrost
11	2255199	Bale Strap
12	W10128791	Relay, Start
13	61003210	Gasket
14	W10165425	Bi-Metal, Defrost
15	67005680	Grommet, Condenser
16	67006573	Screw
17	W10169124	Grommet

Illus.

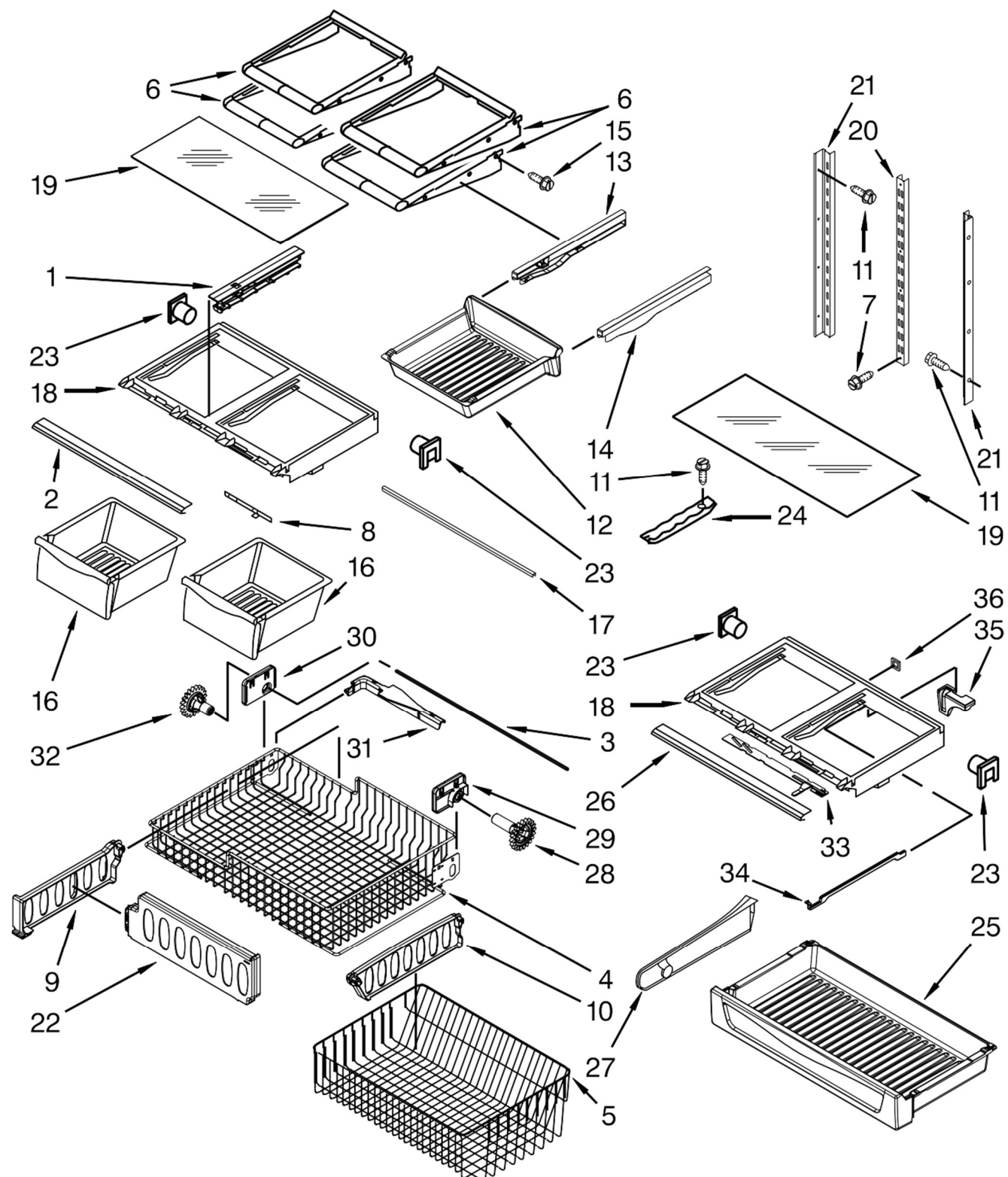
<u>No.</u>	<u>Part No.</u>	<u>Description</u>
18	67006131	Condenser
19	67006432	Screw
20	67002490	Tray, Drip
21	67006737	Screw, Clip
22	12002041	Evaporator Kit
23		Dam
	67001084	Right Hand
	67001083	Left Hand
24	67004432	Motor, Condenser
25	10428101	Clip, Heater
26	W10188474	Harness, Unit with Power Cord
27	W10143759	Drier
28	W10134623	Compressor
29	10623002	Clip, Evaporator
30	67006434	Axle, Roller
31	12575309	Shroud, Condenser
32	67004953	Bracket, Evaporator Motor

Illus.

<u>No.</u>	<u>Part No.</u>	<u>Description</u>
33	67004954	Screw
34	10547003	Clip, Drier
35	67005149	Roller
36	W10137529	Grommet, Condenser
37	2264017	Capacitor
		Following Parts Not Illustrated
	978025	Valve, Access
	978026	Valve, Access
	978027	Valve, Access
	978028	Valve, Access
	978029	Valve, Access
	978030	Valve, Access
	876764	Valve, Access
		REFRIGERANT CHARGE
		5.25 oz. (R-134A)



REFRIGERADOR GX5FHTXV



Illus.

No.	Part No.	Description
1	67004514	Rail, Center Crisper
2	12530651	Trim, Crisper
3	W10199044	Shaft, Rack
4	W10169949	Basket, Freezer (Upper)
5	W10150039	Basket, Lower Freezer
6	W10208663	Shelf, Glide Out
7	67006360	Screw
8	67005864	Slide, Humidity Control
9	W10171557	Divider, Basket (Upper)
10	W10146440	Divider, Lower Basket
11	67006400	Screw
12	67004515	Pan, Crisper
13		Glide, Deli
	12656601	Left Hand

Illus.

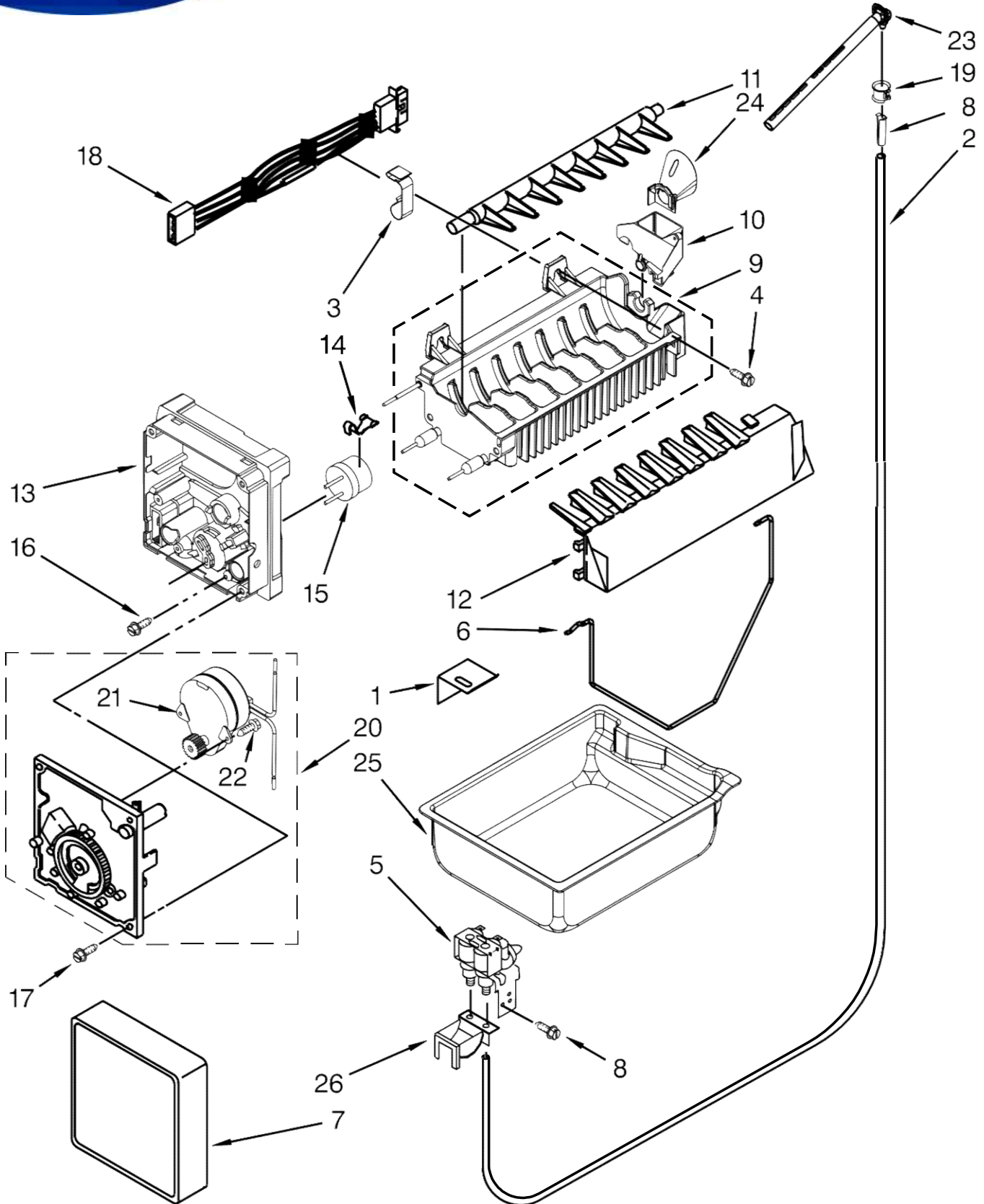
No.	Part No.	Description
14		Glide, Deli
	12656602V	Right Hand
15	67006626	Screw
16	67004515	Pan, Crisper
17	67002748	Brace, Crisper Cover
18	67003854	Frame, Crisper
19	67006704	Glass, Crisper
20	67001073	Ladder, Center
21	67001317	Ladder, Side
22	W10171558	Divider, Basket (Upper)
23	12603701	Support, Crisper Frame
24	67001719	Track, Drawer
25	12645026	Drawer, Pantry
26	67004554	Trim, Pantry Front
27	67004556	Divider, Pantry

Illus.

No.	Part No.	Description
28		Gear, Spur
	W10146446	Left Hand
29		Mount, Gear
	W10146442	Right Hand
30		Mount, Gear
	W10146441	Left Hand
31	W10149389	Lift-Bail Arm
32		Gear, Spur
	W10158749	Right Hand
33	67002002	Slide, Pantry
34	67004555	Bar, Pantry Control
35	67002004	Tunnel, Pantry
36	67002005	Gasket, Pantry



REFRIGERADOR GX5FHTXV



BENITO JUÁREZ #1500 GPE ZITON, CD. GUADALUPE NUEVO LEÓN TEL: 8183377999 Y 49
HORARIOS: LUNES A VIERNES 8:30 A 6:00 PM Y SÁBADOS DE 8:30 A 2:00 PM

www.denek.com

Illus.

<u>No.</u>	<u>Part No.</u>	<u>Description</u>
1	2256086	Bracket, Ice Maker
2	67003729	Tube, Plastic
3	67003932	Clamp
4	489276	Screw
5	67006531	Valve, Water Inlet
6	67004028	Arm, Shutoff
7	67004710	Cover, Front
8	A3223101	Insert, Tube
9	W10122527	Assembly, Mold and Heater
10	628515	Cup, Water Fill

Illus.

<u>No.</u>	<u>Part No.</u>	<u>Description</u>
11	627843	Ejector
12	2182124	Stripper, Ice
13	2194712	Housing, Support
14	2315522	Retainer, Thermostat
15	627985	Thermostat
16	8533917	Screw
17	489464	Screw
18	W10146389	Harness, Icemaker
19	M0114003	Clip, Speed
20	626678	Assembly, Module and Motor

Illus.

<u>No.</u>	<u>Part No.</u>	<u>Description</u>
21	626684	Motor
22	489136	Screw
23	W10137519	Elbow, Fill Tube
24	67005603	Funnel, Fill Tube
25	W10171529	Pan, Ice
26	67004101	Sweep, Dual Tube
100	D7824706Q	Icemaker Assembly (Complete)

OPTIONAL PARTS (NOT INCLUDED)

PAINT, TOUCH-UP (1/2OZ.)

<u>Illus.</u> <u>No.</u>	<u>Part No.</u>	<u>Description</u>
	72017	White
	72032	Black
	511873	White Porcelain (2 oz.)
	4392899	Biscuit/Bisque

PAINT, PRESSURIZED SPRAY (12 OZ.)

<u>Illus.</u> <u>No.</u>	<u>Part No.</u>	<u>Description</u>
	350930	White
	350939	Enamel, Black
	285006	Black
	350942	White Primer
	4392901	Biscuit/Bisque

PAINT, BULK (1 QT.)

<u>Illus.</u> <u>No.</u>	<u>Part No.</u>	<u>Description</u>
	799344	White

MISCELLANEOUS

<u>Illus.</u> <u>No.</u>	<u>Part No.</u>	<u>Description</u>
	212643	Sealer, Gum (4 Feet)
	479502	Tape, Vinyl (3/4 x 108")
	876370	Insulation (2 Pieces, 3" x 24" x 48")
	876305	Insulation Kit (14 Pieces, 3" x 24" x 48")
	978941	Insulation, Fiberglass (63 1/2" x 35 1/2" x 2 5/8")
	876029	Kit, Foam Slab (30" x 32 1/2" x 1 1/2")
	505587	Sealer, Mastic (1 Qt)
	503695	Cork, Sealer
	20000008	Cleaner, Stainless Steel
	542638	Grease, Silicone (1/2 Oz.)
	542639	Cement, Alumilastic (1 1/4 Oz.)
	833938	Kit, Terminal Connector

TORX SCREW WRENCH

<u>Illus.</u> <u>No.</u>	<u>Part No.</u>	<u>Description</u>
	1117510	Torx Key