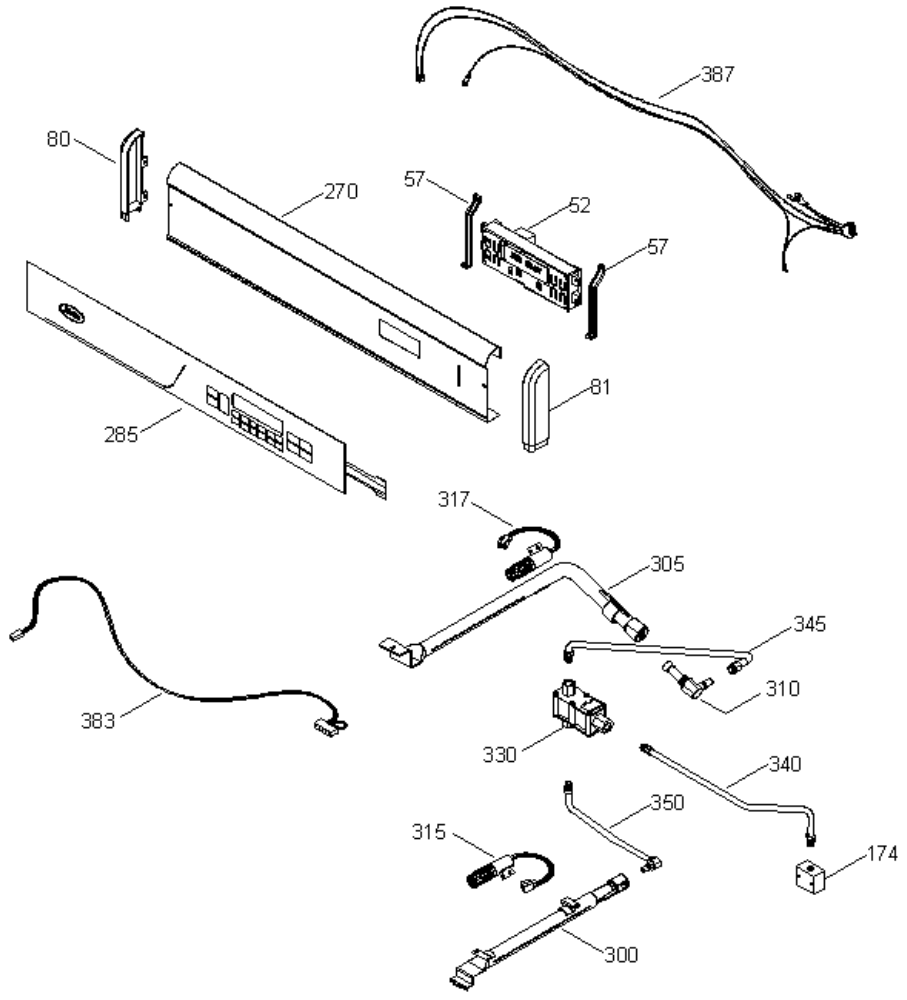
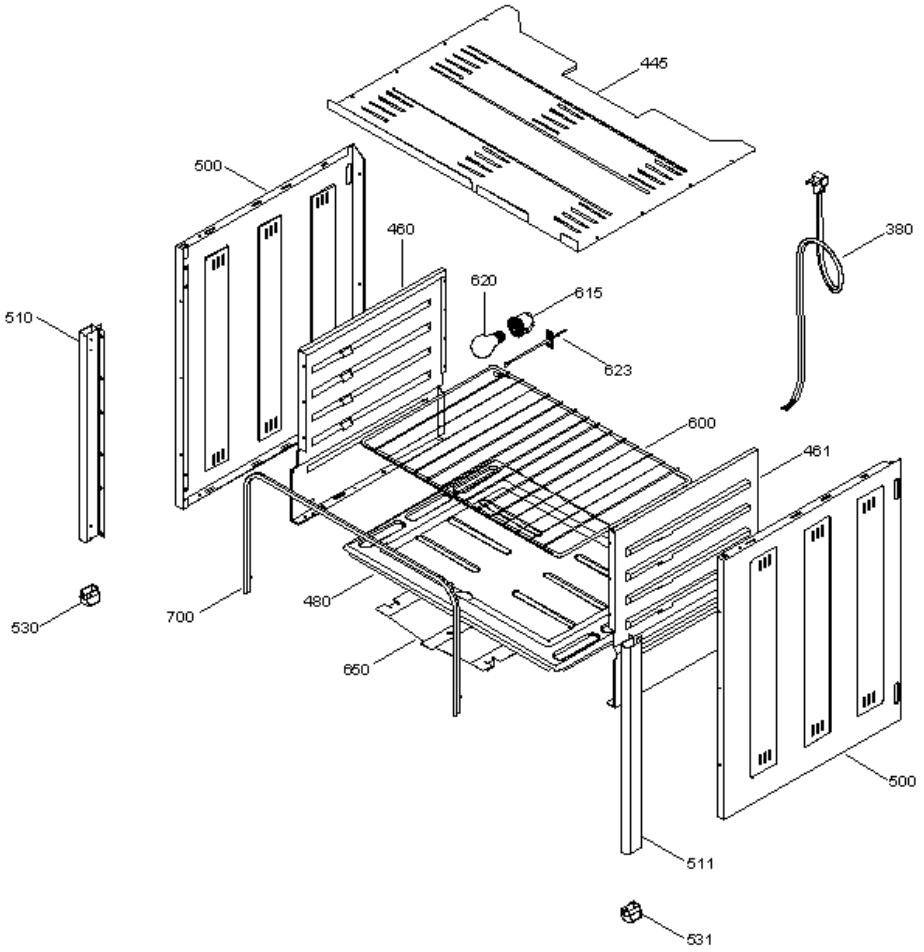


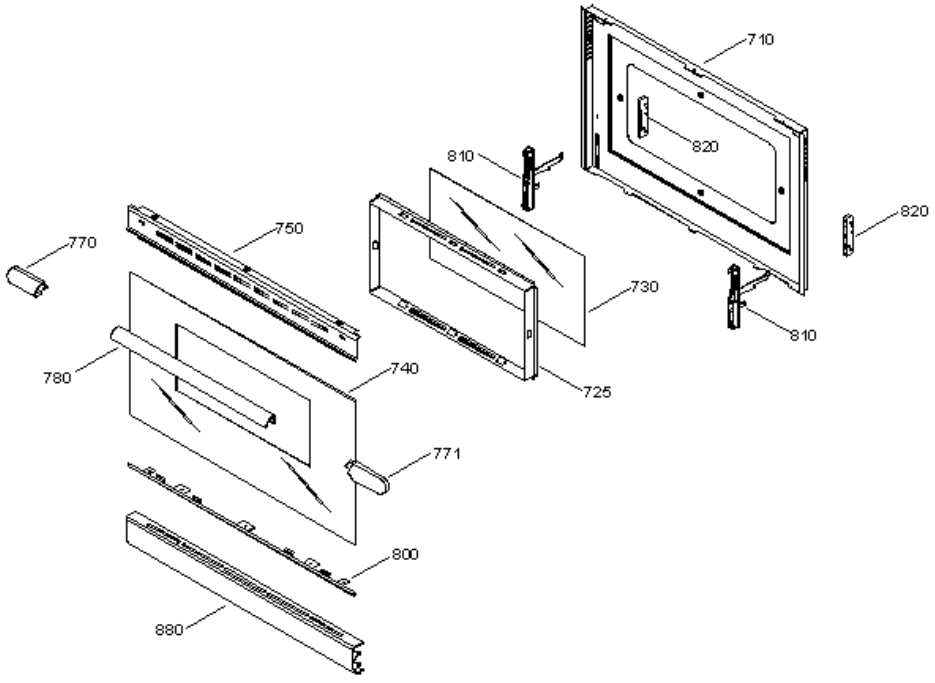
**HM804BB0A**



**HM804BB0A**



**HM804BB0A**





**HM804BB0A**

52	164D3260P005	CONTROL ERC (S/P)
57	317B6381P001	SOPORTE CONTROL ERC (S/P)
80	183D5842P005	REMATE FRONTAL SUP. IZQ. BCO. (S/P)
81	183D5842P007	REMATE FRONTAL SUP. DER. BCO. (S/P)
174	317B6427P001	BLOQUE DE ENTRADA (S/P)
270	183D6028P003BL	PANEL DE CONTROL BCO. (S/P)
285	183D5866G002	MEMBRANA SWITCH BCA. ENS. (S/P)
300	181D7525G003	ENS.QUEMADOR HORNO (S/P)
305	181D7528G001	QUEMADOR ASADOR ENS. (S/P)
310	221C3620G001	CODO ALIMENTADOR ASADOR (S/P)
315	205C1398G003	ENCENDEDOR HORNO
317	205C1398G002	ENCENDEDOR ASADOR (S/P)
330	MAL179	VALVULA DE SEGURIDAD
340	181D8626G001	TUBO ALIM. VALVULA DUAL (S/P)
345	181D8660G001	TUBO ALIM. QUEMADOR ASADOR (S/P)
350	181D7545G001	TUBO ALIM. QUEMADOR HORNO (S/P)
380	164D2596G001	CORDON TOMACORRIENTE (S/P)
383	181D7693G010	ARNES CONTROL (S/P)
387	181D7693G008	ARNES PRINCIPAL (S/P)
445	183D5846P001	TAPA SUPERIOR (S/P)
460	181D7514P004CA	LATERAL HORNO CATALITICO IZQ. (S/P)
461	181D7514P003CA	LATERAL HORNO CATALITICO DER. (S/P)
480	181D8617G001PY	PISO HORNO PIROLITICO (S/P)
500	181D7510P001	LATERAL ESTUFA (S/P)
510	181D7591P012	MOLDURA VERTICAL IZQ. BCA. (S/P)
511	181D7591P011	MOLDURA VERTICAL DER. BCA. (S/P)
530	223C3387P002	REMATE INFERIOR IZQ. BCO. (S/P)
531	223C3387P004	REMATE INFERIOR DER. BCO. (S/P)
600	181D7571P001	PARRILLA HORNO 30" (S/P)
615	205C1329P001	SOCKET (S/P)
620	245B1330P001	FOCO 40W, 127V. (S/P)
623	205C1603P001	SENSOR (S/P)
650	183D5415P002	DEFLECTOR HORNO (S/P)

700	221C3524G001	SELLO P/PUERTA HORNO 30" (S/P)
710	181D7504P001PY	CONTRAPUERTA HORNO 30" (S/P)
725	221C3580G001NE	SEPARADOR INTERIOR CRISTAL (S/P)
730	221C3575P002	VIDRIO VENTANA HORNO (S/P)
740	181D7790P011	VIDRIO PUERTA HORNO 30" BCO. (S/P)
750	221C3588G007BL	MOLDURA SUPERIOR PTA. BCA. (S/P)
770	181D7609P004BL	REMATE JALADERA ROLADA IZQ BCO (S/P)
771	181D7609P003BL	REMATE JALADERA ROLADA DER BCO (S/P)
780	181D7555P002	JALADERA ROLADA BCA. (S/P)
800	181D7560P002BL	MOLDURA INFERIOR PTA. BCA. (S/P)
810	221C3562G001	BISAGRA PUERTA HORNO ENS. (S/P)
820	263B7040G001	CONTRA BISAGRA (S/P)
830	181D7637G036	PUERTA HORNO PANOR BCA. ENS. (S/P)
880	181D7564P002BL	FALDON CURVO BCO. (S/P)