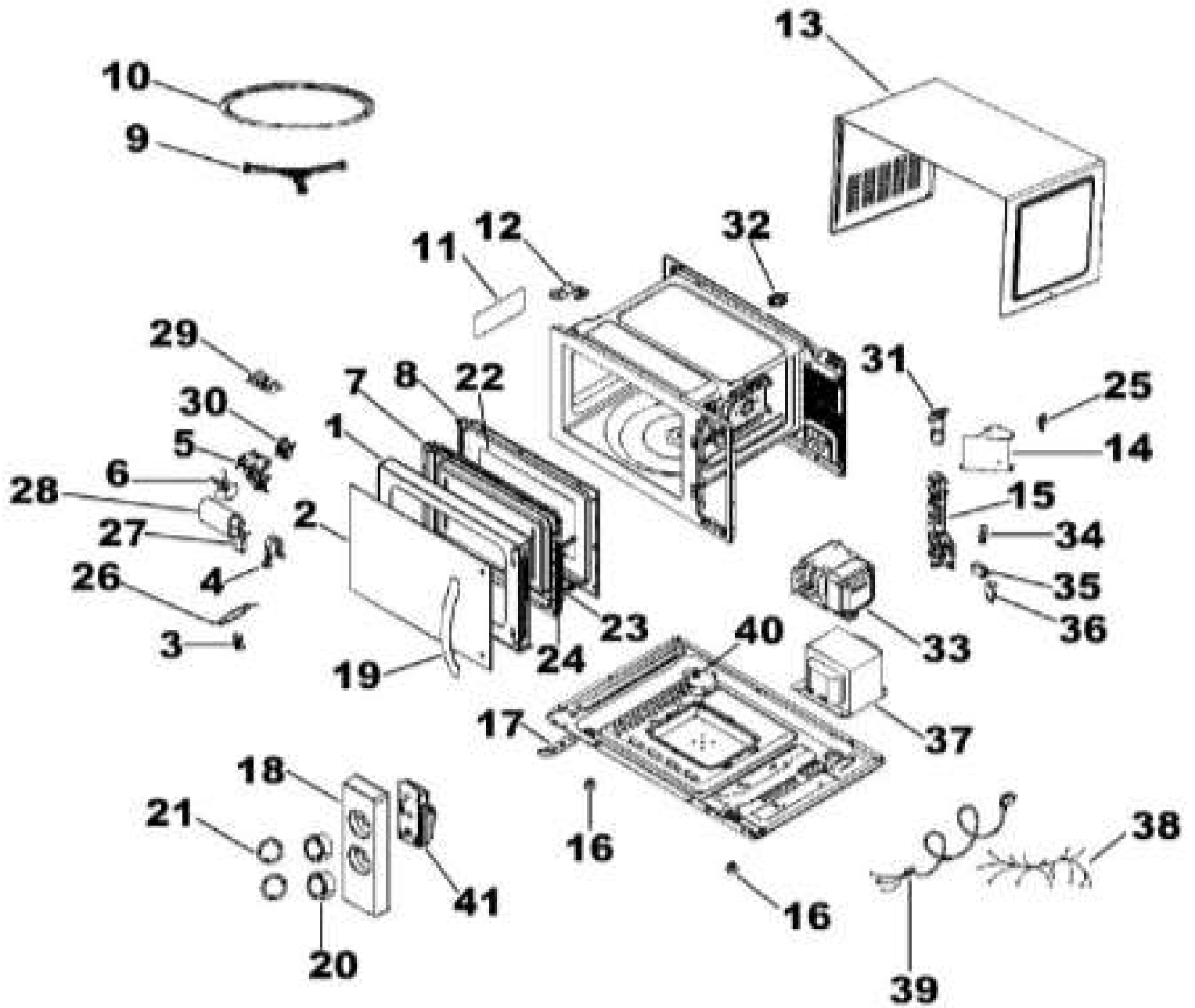


Distribuidor Autorizado

SurteRápido.com

Venta de Refacciones  
Electrodomesticas

# MICROONDAS HMM07PJB



Distribuidor Autorizado

**SurteRápido.com**

Venta de Refacciones  
Electrodomesticas

## MICROONDAS HMM07PJB

| Guía | Refacción  | Descripción           |
|------|------------|-----------------------|
| 1    | WG02L09538 | MARCO PUERTA          |
| 2    | WG02L09533 | VENTANA PUERTA        |
| 3    | WG02F13677 | SOCKET FUSIBLE        |
| 3    | WG02F12447 | SOCKET FUSIBLE        |
| 4    | WG02F13678 | SOPORTE CAPACITOR     |
| 5    | WG02F13679 | SOPORTE VENTILADOR    |
| 6    | WG02F13680 | VENTILADOR            |
| 7    | WG02L09534 | PLACA DE LA PUERTA    |
| 8    | WG02F13681 | MARCO PUERTA INTERIOR |
| 9    | WG02F13682 | BASE GIRATORIA        |
| 9    | WG02L00650 | BASE GIRATORIA        |
| 10   | WG02A03409 | VIDRIO GIRATORIO      |
| 10   | WG02L00654 | VIDRIO GIRATORIO      |
| 11   | WG02F13686 | CUBIERTA PROTECTORA   |
| 11   | WG02L00816 | CUBIERTA PROTECTORA   |
| 12   | WG02F13687 | BISAGRA SUPERIOR      |
| 13   | WG02F13688 | CUBIERTA EXTERIOR     |
| 13   | WG02F01204 | CUBIERTA EXTERIOR     |
| 14   | WG02F13689 | CUBIERTA PARA LAMPARA |
| 15   | WG02F13690 | SOPORTE INTERRUPTORES |
| 16   | WG02F13691 | PATA                  |
| 16   | WG02L00242 | PATA                  |
| 17   | WG02F13692 | BISAGRA INFERIOR      |
| 18   | WG02L09536 | MARCO LATERAL         |
| 19   | WG02L09537 | JALADERA              |
| 20   | WG02F13693 | PERILLA               |
| 21   | WG02A03410 | SELLO PERILLA         |
| 22   | WG02L09535 | MICA INTERIOR         |
| 22   | WG02A02377 | MICA INTERIOR         |
| 23   | WG02F13683 | BISAGRA DE PUERTA     |
| 23   | WG02L00652 | BISAGRA DE PUERTA     |
| 24   | WG02F13684 | RESORTE PUERTA        |
| 24   | WG02A02943 | RESORTE PUERTA        |
| 25   | WG02F13685 | SOPORTE LAMPARA       |
| 26   | WG02F13661 | FUSIBLE H.V           |

Distribuidor Autorizado

**SurteRápido.com**

Venta de Refacciones  
Electrodomesticas

## MICROONDAS HMM07PJB

| Guía | Refacción  | Descripción                   |
|------|------------|-------------------------------|
| 26   | WG02F12446 | FUSIBLE H.V                   |
| 27   | WG02F13662 | DIODO                         |
| 27   | WG02F12429 | DIODO                         |
| 28   | WG02F13663 | CAPACITOR DE ALTO VOLTAJE     |
| 28   | WG02F12430 | CAPACITOR DE ALTO VOLTAJE     |
| 29   | WG02F13664 | FILTRO                        |
| 29   | WG02F01876 | FILTRO                        |
| 30   | WG02F13665 | MOTOR VENTILADOR              |
| 30   | WG02F12432 | MOTOR VENTILADOR              |
| 31   | WG02F13666 | LAMPARA                       |
| 31   | WG02F10163 | LAMPARA                       |
| 32   | WG02F13667 | TERMOSTATO 1                  |
| 32   | WG02F10164 | TERMOSTATO 1                  |
| 33   | WG02F13668 | MAGNETRON                     |
| 33   | WG02F12435 | MAGNETRON                     |
| 34   | WG02F13669 | INTERRUPTOR                   |
| 34   | WG02F02211 | INTERRUPTOR                   |
| 35   | WG02F13670 | INTERRUPTOR                   |
| 35   | WG02F10585 | INTERRUPTOR                   |
| 36   | WG02F13671 | INTERRUPTOR                   |
| 36   | WG02F10168 | INTERRUPTOR                   |
| 37   | WG02F13672 | TRANSFORMADOR DE ALTO VOLTAJE |
| 37   | WG02F12439 | TRANSFORMADOR DE ALTO VOLTAJE |
| 38   | WG02F13673 | ARNES PRINCIPAL               |
| 39   | WG02F13674 | CABLE TOMACORRIENTE           |
| 40   | WG02F13675 | MOTOR PLATO GIRATORIO         |
| 40   | WG02F01809 | MOTOR PLATO GIRATORIO         |
| 41   | WG02F13676 | TEMPORIZADOR                  |