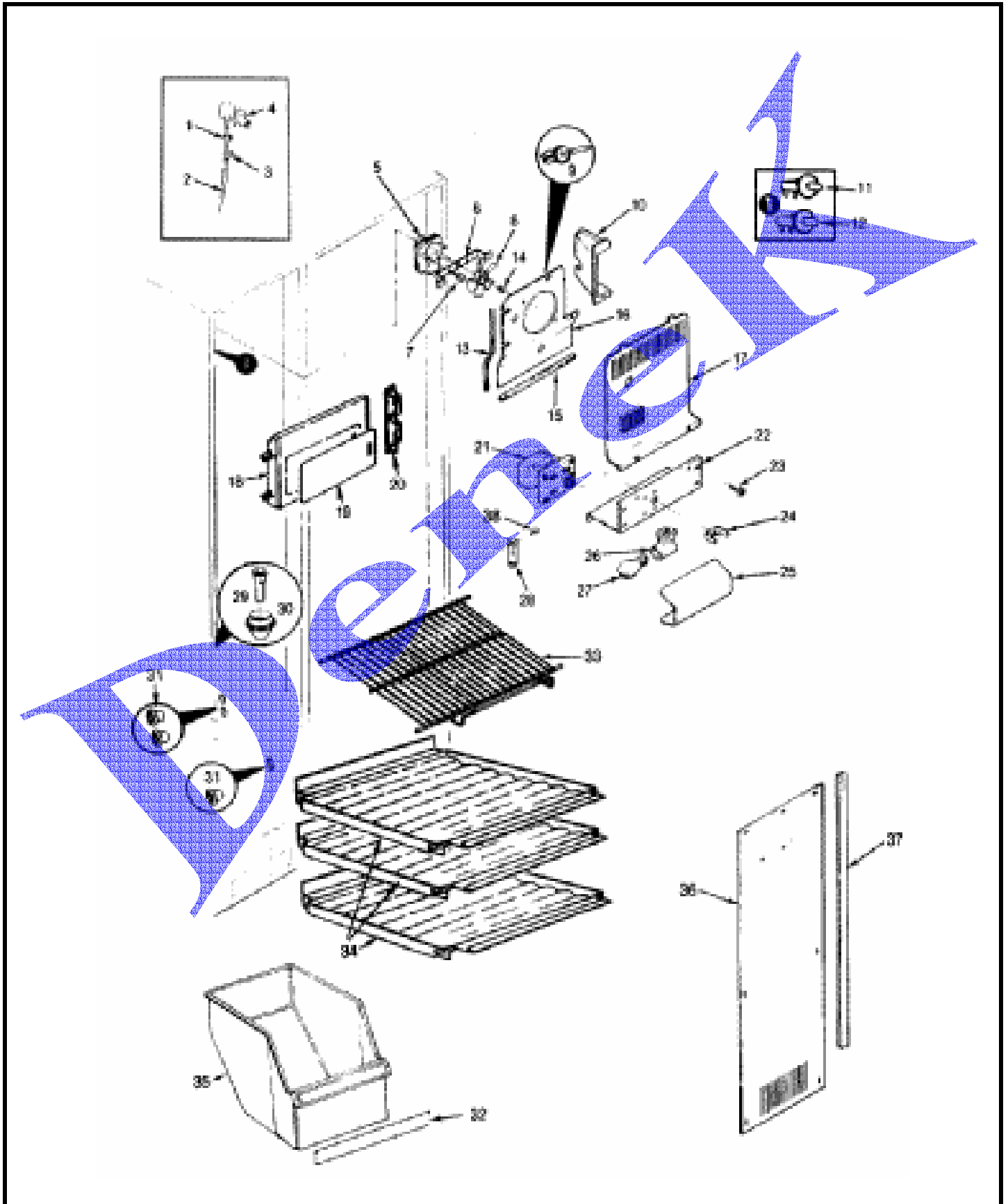


MAYTAG HRNS2209

FREEZER COMPARTMENT



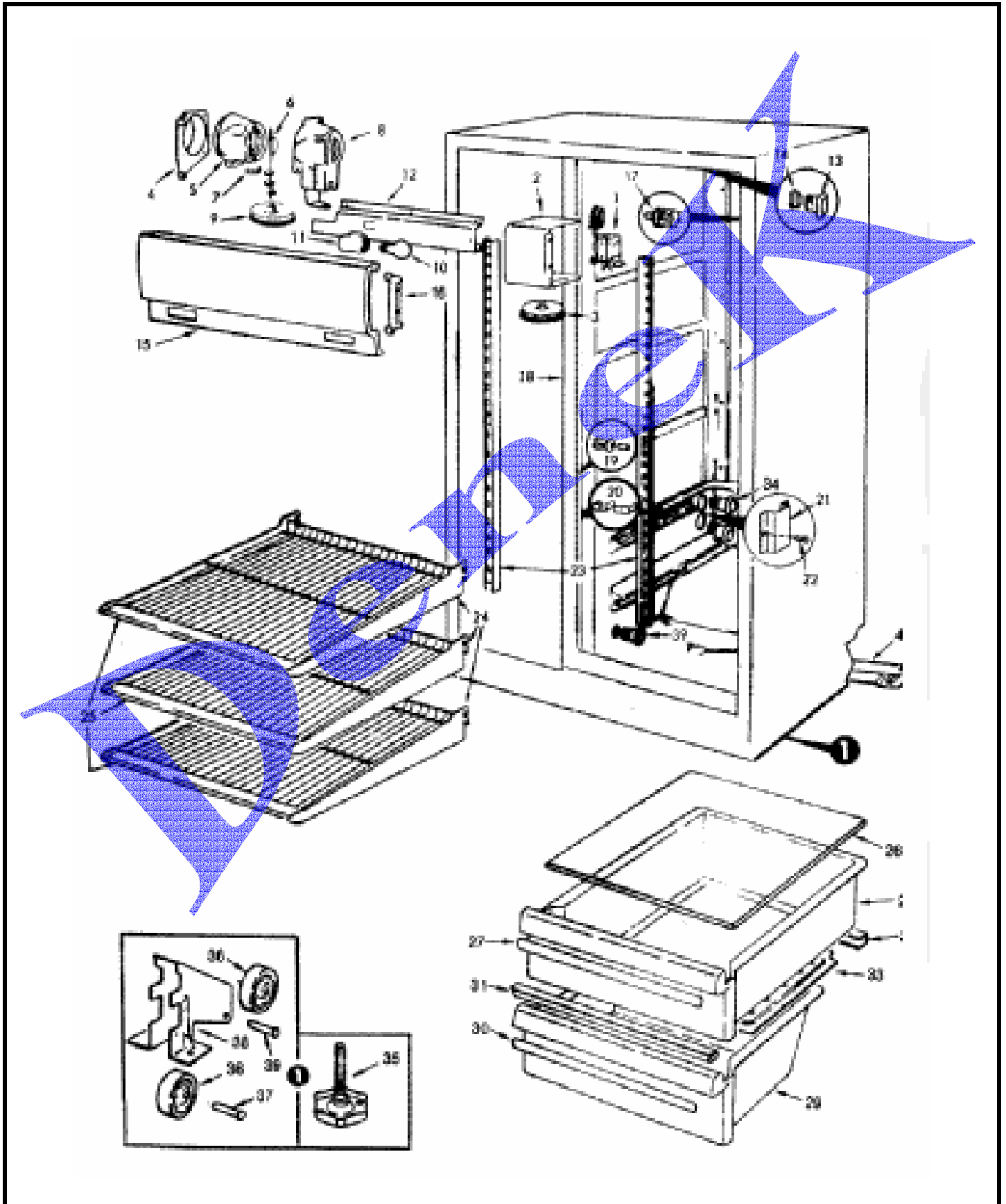
MAYTAG HRNS2209

FREEZER COMPARTMENT

1	60333-4	CLAMP, SPRING
2	67579-2	TUBING, VALVE TO GROMMET
3	65517-1	CLIP
4	68307-2	GROMMET, WATER ENTRY
5	56488-4	MOTOR
6	64856-2	BRACKET, FAN MOTOR
7	9986-45	SCREW
8	52120-1	BLADE, FAN FRZR.
9	22715-6	RIVET
10	53837-1	SHIELD
11	56432-1	SWITCH
12	65512-1	SPACER
12	68916-1	LIGHT SWITCH
13	66325-21	SEAL (44")
14	420092-900	WASHER, SPRING
15	66325-14	SEAL, FOAM TRAY
16	68550-1	UPPER COVER
17	67225-1	SHIELD, FAN
18	60313-1	CUP, SHELF
18	68620-1	DOOR, ACCESS
19	68783-6	INSERT, ICE DOOR
20	68621-1	SPACER
20	400021-1	SCREW
20	68572-1	LATCH
21	67410-1	WIRE HARNESS
21	65186-1	MOTOR, AUGER
21	406026-103	SCREW
22	67296-2	BOX, AUGER MOTOR
23	400015-12	SCREW
24	63052-1	YOKE, ICE DISPENSER
25	67292-1	SHIELD, LIGHT
26	29814-2	RECEPTACLE, LIGHT
27	31956	BULB, LIGHT (40 WATT) REF ONLY
28	67288-1	BRACKET, MOUNTING
29	22451-4	DRAIN TUBE
30	52526-1	GROMMET
31	53727-1	RETAINER, AIR TUNNEL
32	68124-69	INSERT
33	68630-3	SHELF DISPENSER
33	67466-1	CUP, SHELF
34	65651-1	SHELF, FRZ. #2,3,4
35	65771-7	DRAWER, FRZ.
36	67335-4	COVER, COIL (LOWER)
37	68612-1	GASKET
37	400021-1	SCREW
38	400026-1	SCREW

MAYTAG HRNS2209

FRESH FOOD COMPARTMENT



MAYTAG HRNS2209

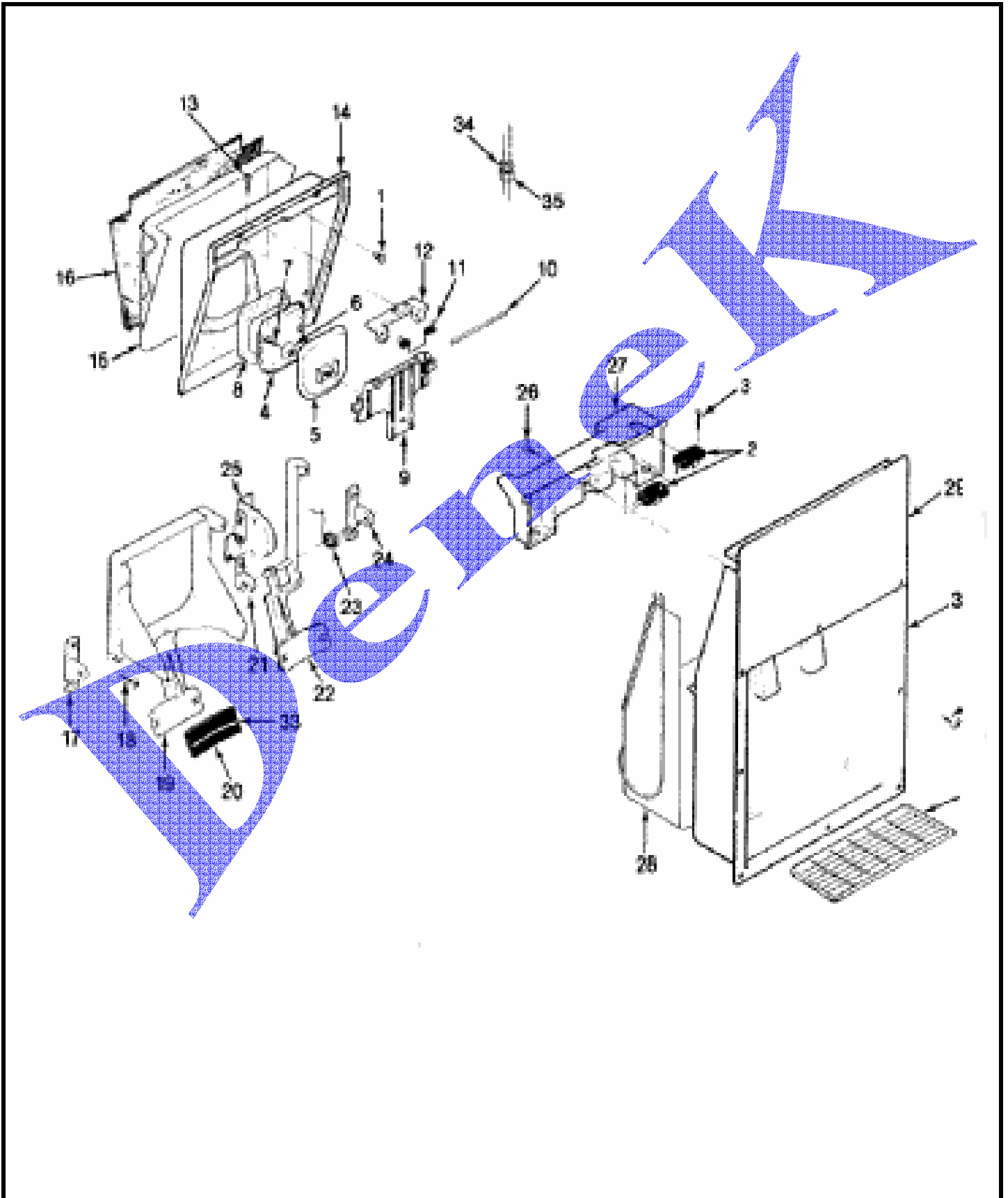
FRESH FOOD COMPARTMENT

1	401012-1	SCREW, CONTROL MOUNTING
1	52881-23	CONTROL, TEMPERATURE
1	67692-1	INSULATION, CONTROL
2	53682-10	HOUSING, TEMPERATURE CONTROL
2	400017-1	SCREW
3	29893-7	KNOB, TEMP. CONTROL
4	53835-2	ORIFICE, FREEZER CONTROL
5	58767-1	INSULATION, HOUSING
6	68613-1	BAFFLE
7	52648-1	SPRING, BAFFLE
8	400027-1	SCREW
8	67354-1	HOUSING, FRZ. CONTROL
9	400001-1	SCREW
9	29893-12	KNOB
10	55771-2	BULB, LIGHT (60W)
11	29814-2	RECEPTACLE, LIGHT
12	400017-1	SCREW
12	59740-2	HOUSING, LIGHT SOCKET & WIRES
13	57410-1	TUNNEL
14	57411-1	RETAINER
15	65578-9	SHIELD, LIGHT
16	53686-2	SUPPORT
16	400017-1	SCREW
17	65512-1	SPACER
17	68916-1	LIGHT SWITCH
	67000-1-	
18	WW	MULLION BAR (WHITE)
19	52077-10	SEAL
19	59920-13	STUD, (WHITE)
20	67060-1	CLIP, MULLION
21	62128-1	AIR DEFLECTOR
22	28013-2	RIVET, AIR TUNNEL
23	400037-28	SCREW
23	58381-4	RAIL, SHELF SUPPORT
24	65606-2	SHELF, WIRE
25	65614-2	TRIM
26	65687-2	SHELF, CRISPER
27	68124-82	INSERT, CRISPER PAN
28	65769-15	PAN, CRISPER
29	65770-12	PAN, MEAT
30	68124-72	TRIM
31	65593-2	SEAL
32	66092-2	CRISPER SEAL
33	65608-4	COVER, MEAT PAN
34	53726-1	AIR TUNNEL
35	6012-8	LEG, LEVELING
36	29834-2	WHEEL

37 64965-3 PIN, WHEEL (REAR)
38 52846-1 BRACKET
39 400017-1 SCREW
39 64965-3 PIN, WHEEL (REAR)
40 65275-42 SCREW
40 67255-2 SUPPORT RAIL REAR

MAYTAG HRNS2209

ICE & WATER DISPENSER



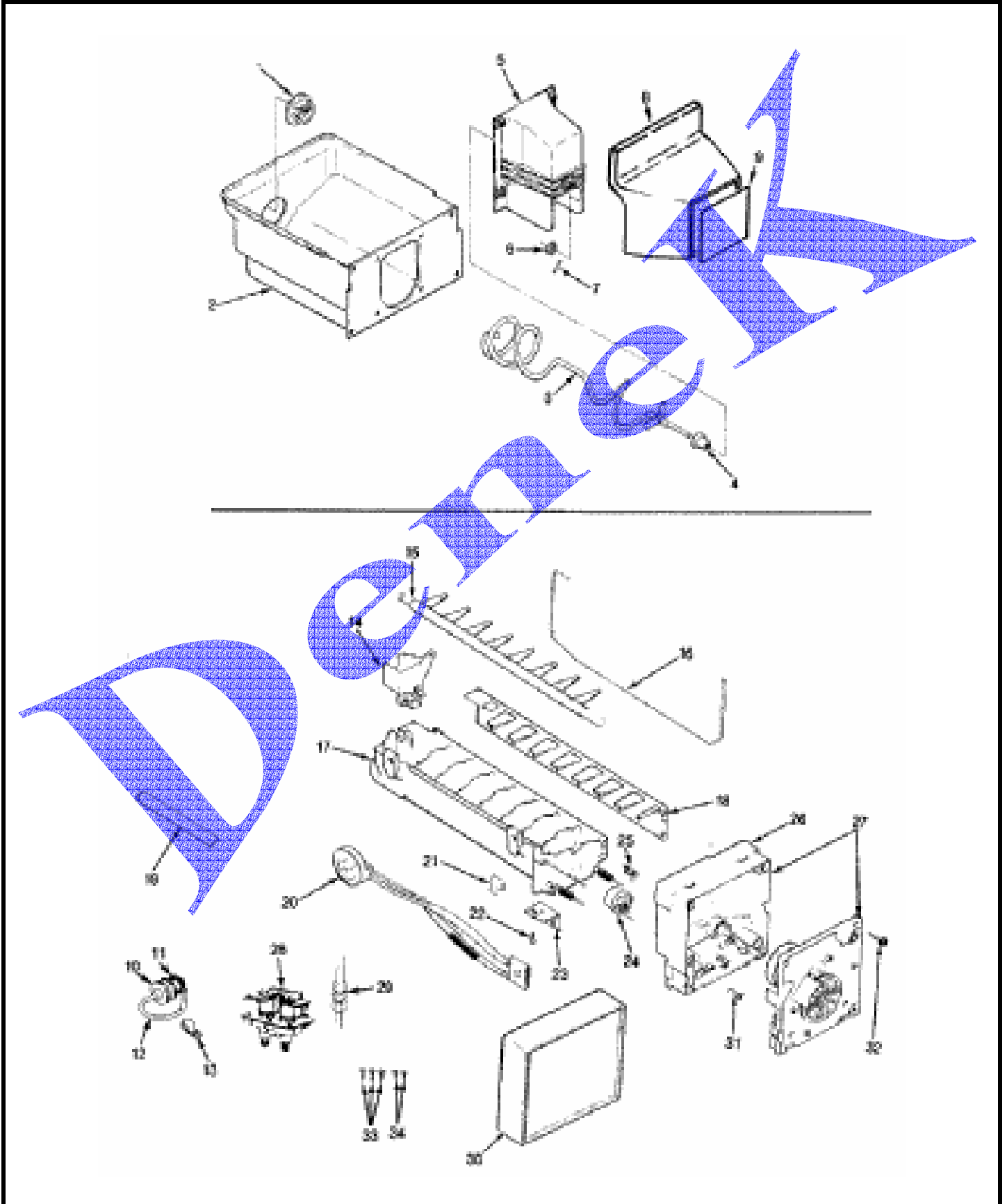
MAYTAG HRNS2209

ICE & WATER DISPENSER

1	28272-6	BUMPER, DOOR
2	55440-2	SWITCH, ICE & WATER
3	68491-1	WIRE HARNESS, SWITCH
3	405071-1	SCREW
3	27116-2	WIRE NUT
4	68557-1	INSULATION, ICE DOOR
5	68565-1	DOOR, ICE
6	68566-1	RETAINER
7	405116-103	SCREW
8	68560-2	SEAL
9	68563-1	STRIKE DOOR
10	68564-1	SHAFT
11	68765-1	SPRING
12	68562-1	BRACKET
13	405023-103	SCREW
14	405025-103	SCREW
14	68567-4	BACK, FOUNTAIN
15	68617-1	HTR WIRE
16	68714-1	INSULATION, FOIL
17	68627-1	PIVOT, ACTUATOR (LT)
18	405024-103	SCREW
19	68956-4	PADDLE, ICE
20	68701-4	PAD, PADDLE
21	68764-1	PIVOT, ACTUATOR (CENTER)
22	68558-4	PADDLE, WATER
23	68767-1	SPRING, PADDLE RETURN
24	68628-1	PIVOT, ACTUATOR (RT)
25	68827-1	MOTOR, INERTIA
25	405025-103	SCREW
26	405025-103	SCREW
27	68626-1	BRACKET
28	68936-1	HEATER, FOUNTAIN
29	68625-1	FOUNTAIN FRONT
30	68954-4	FOUNTAIN
31	405025-103	SCREW
32	68631-1	GRILL
33	68763-1	TRIM, PADDLE PAD
34	55419-1	NUT, COMPRESSION (1/4")
35	55604-1	NUT, COMPRESSION (5/16")
35	67187-10	TUBING
35	68948-1	UNION, REDUCING (5/16"-5/16")

MAYTAG HRNS2209

ICE MAKER & BIN



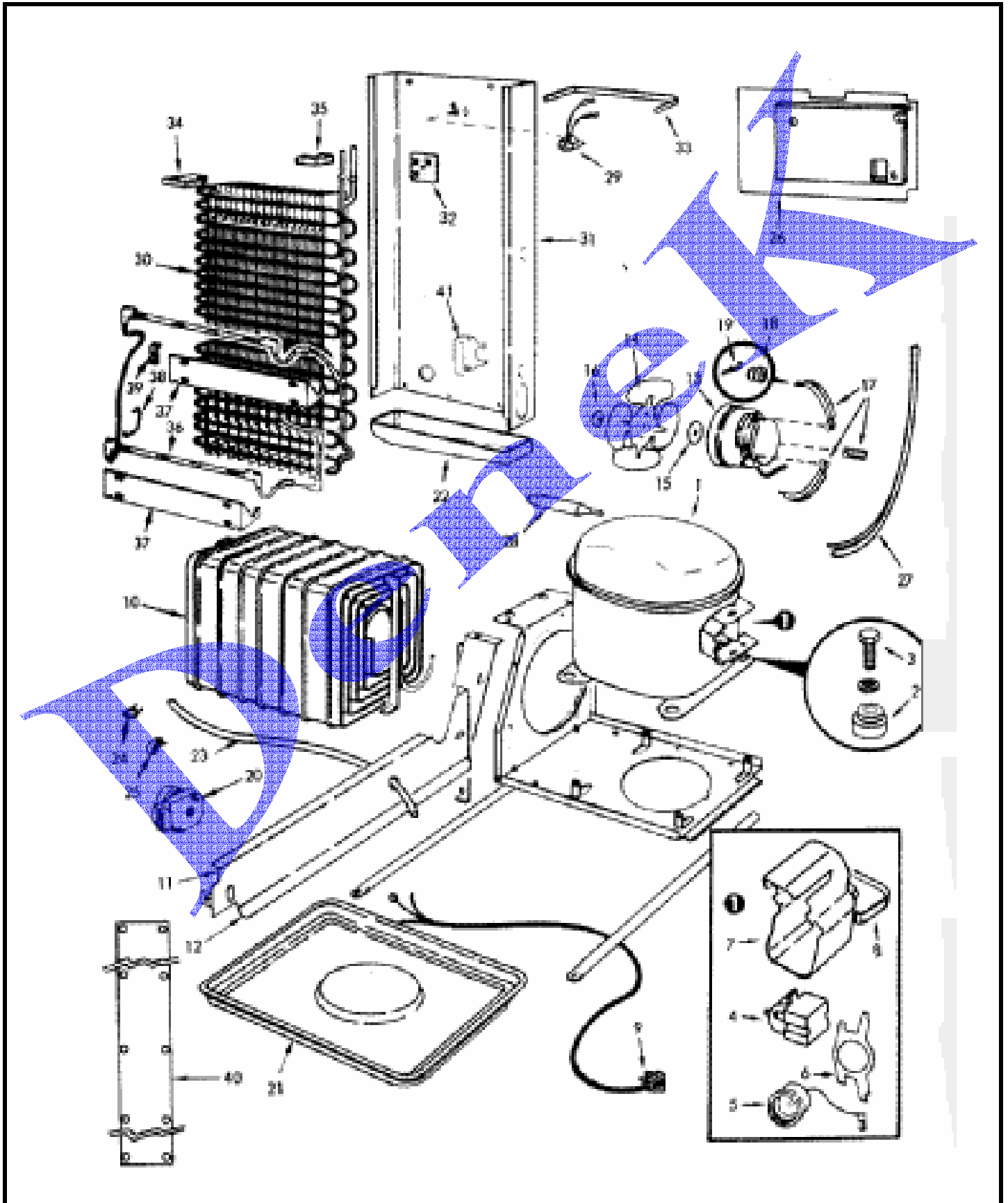
MAYTAG HRNS2209

ICE MAKER & BIN

1	63017-1	RING, DRIVE
2	67826-1	BIN
3	67833-1	AUGER
4	67172-2	BEARING
5	67829-1	ICE DAM
6	67834-1	THRUST WASHER
7	492007-703	PIN, COTTER
8	68552-1	FRONT
8	405022-103	SCREW
9	68782-3	BIN FRONT INSERT
10	24685-1	NUT, INLET TUBING
11	24685-5	WASHER, INLET TUBING NUT
12	53760-2	INLET TUBING ASSY.
13	53516-8	CLAMP, TUBING
13	400017-1	SCREW
14	95100-1	INLET, WATER
15	95101-1	EJECTOR, ICE
16	68112-1	ARM, SENSOR
16	67556-1	SLEEVE, SENSOR ARM
17	95098-1	MOLD & HEATER ASSY.
18	95102-1	STRIPPER, ICE
19	67676-1	TUBE, FILL
20	67672-1	WIRE HARNESS, ICE MAKER
21	68118-1	CLAMP, WIRE HARNESS
22	95108-1	SCREW, BRACKET
23	95107-1	BRACKET, MODULE & HEATER
24	95093-1	CEMENT, ALUMILASTIC (4 OZ.)
24	95092-1	THERMOSTAT
25	95104-1	RETAINER, THERMOSTAT
26	95103-1	SUPPORT, MODULE HOUSING
27	95109-1	MODULE, ICE MAKER
28	67559-1	VALVE
29	54267-1	UNION, COMPRESSION
30	68113-1	COVER ICE MAKER
31	95105-1	SCREW
32	95106-1	SCREW
33	400022-1	SCREW
34	401018-1	SCREW

MAYTAG HRNS2209

UNIT COMPARTMENT & SYSTEM



MAYTAG HRNS2209

UNIT COMPARTMENT & SYSTEM

1	RA1018	COMPRESSOR
2	17245-4	GROMMET, COMPRESSOR
3	65275-9	SCREW, COMPRESSOR MOUNTING
4	66858-1	RELAY, START
5	63294-19	OVERLOAD
6	65887-1	CLIP, OVERLOAD
7	66589-2	COVER, TERMINAL
8	65886-1	CLIP, TERMINAL COVER
9	52890-2	CORD, POWER
10	60408-2	U-NUT, CONDENSER
10	400062-1	SCREW
10	RA43644-1	CONDENSER
11	29838-4	BAFFLE
12	65493-1	BAFFLE, AIR DIVIDER
12	9986-45	SCREW
13	67560-2	MOTOR, CONDENSER FAN
13	65275-33	SCREW
14	60683-2	BLADE, CONDENSER FAN
15	19913-2	WASHER, FAN BLADE
16	55042-1	CLIP, MOUNTING FAN BLADE
17	56936-1	BRACKET, FAN MOTOR
18	56933-1	GROMMET, BRACKET
19	57051-1	CLIP, MOTOR BRACKET
20	29282-2	BRACKET, MOUNTING TIMER
20	405007-1	SCREW
20	400017-1	SCREW
20	66128-2	TIMER, DEFROST
21	68236-1	PAN, DRAIN
21	45004-20	CUSHION PADDING, DRAIN PAN
22	53523-2	TROUGH, DRAIN
23	26911-25	HOSE, DRAIN
24	9602-3	CLAMP, DRAIN HOSE
25	53516-5	CLAMP, DRAIN HOSE
26	66339-1	COVER
27	RA95090-3	HEAT EXCHANGER
27	26088-23	SLEEVE
28	13900	DRIER
29	52085-29	THERMOSTAT, DEFROST
30	RA43643-1	EVAPORATOR
31	68834-1	HOUSING, EVAPORATOR
32	55878-1	BOARD, TERMINAL
33	66325-17	SEAL
34	65063-1	SEAL, STYROFOAM-(LEFT)
35	65064-1	SEAL, STYROFOAM-(RIGHT)
36	400017-1	SCREW
36	67679-1	HEATER, DEFROST
37	29915-12	REFLECTOR

38 52067-1 CLIP, DEFROST HEATER
39 52561-1 BRACKET, HEATER SHIELD
39 68840-2 WIRE HARNESS, COMPRESSOR
39 68872-1 WIRE HARNESS
40 66381-1 COVER
40 400017-1 SCREW
41 26397-3 RIVET, REFLECTOR
41 67680-1 REFLECTOR
41 67693-1 SEAL AIR RETURN