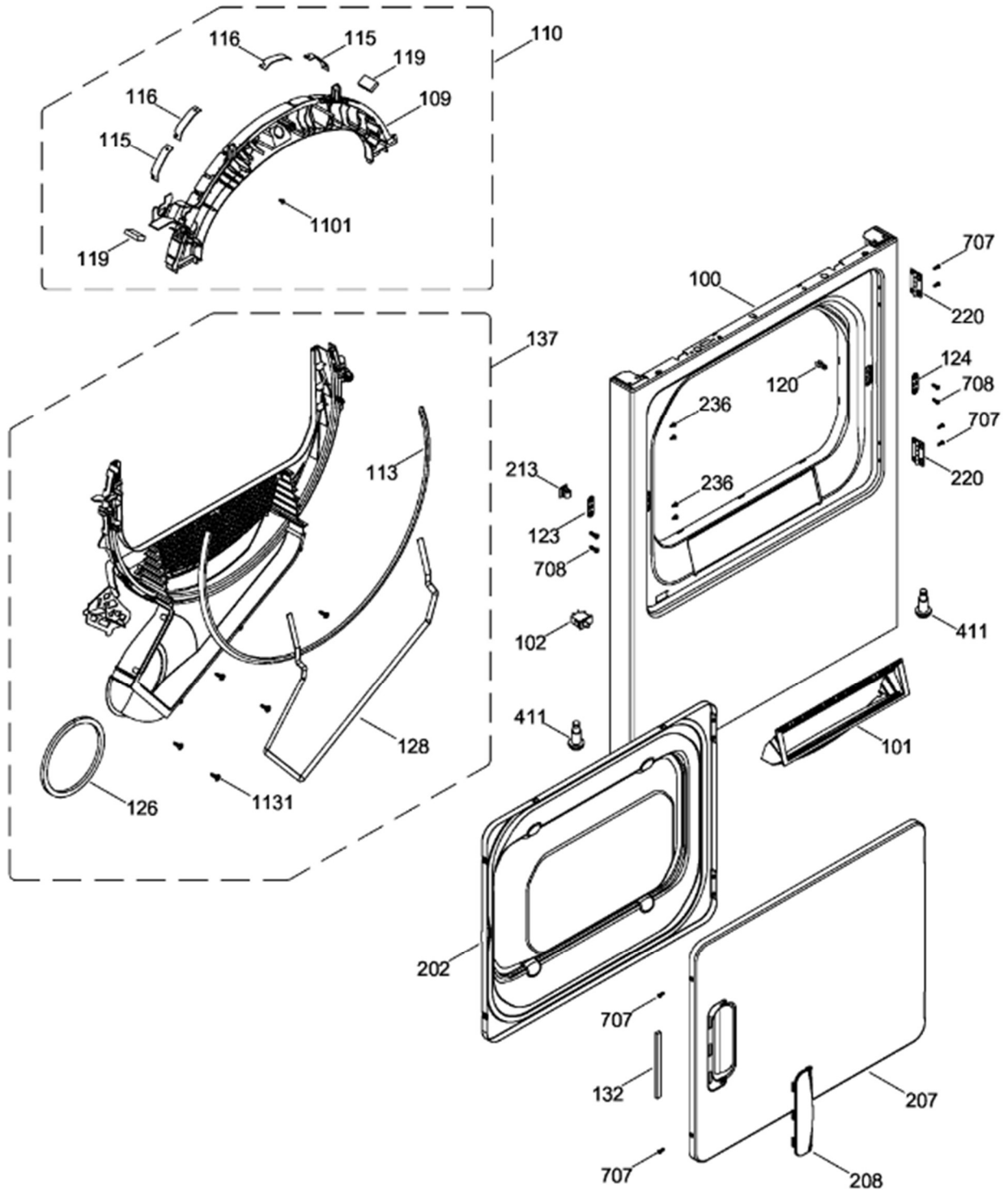


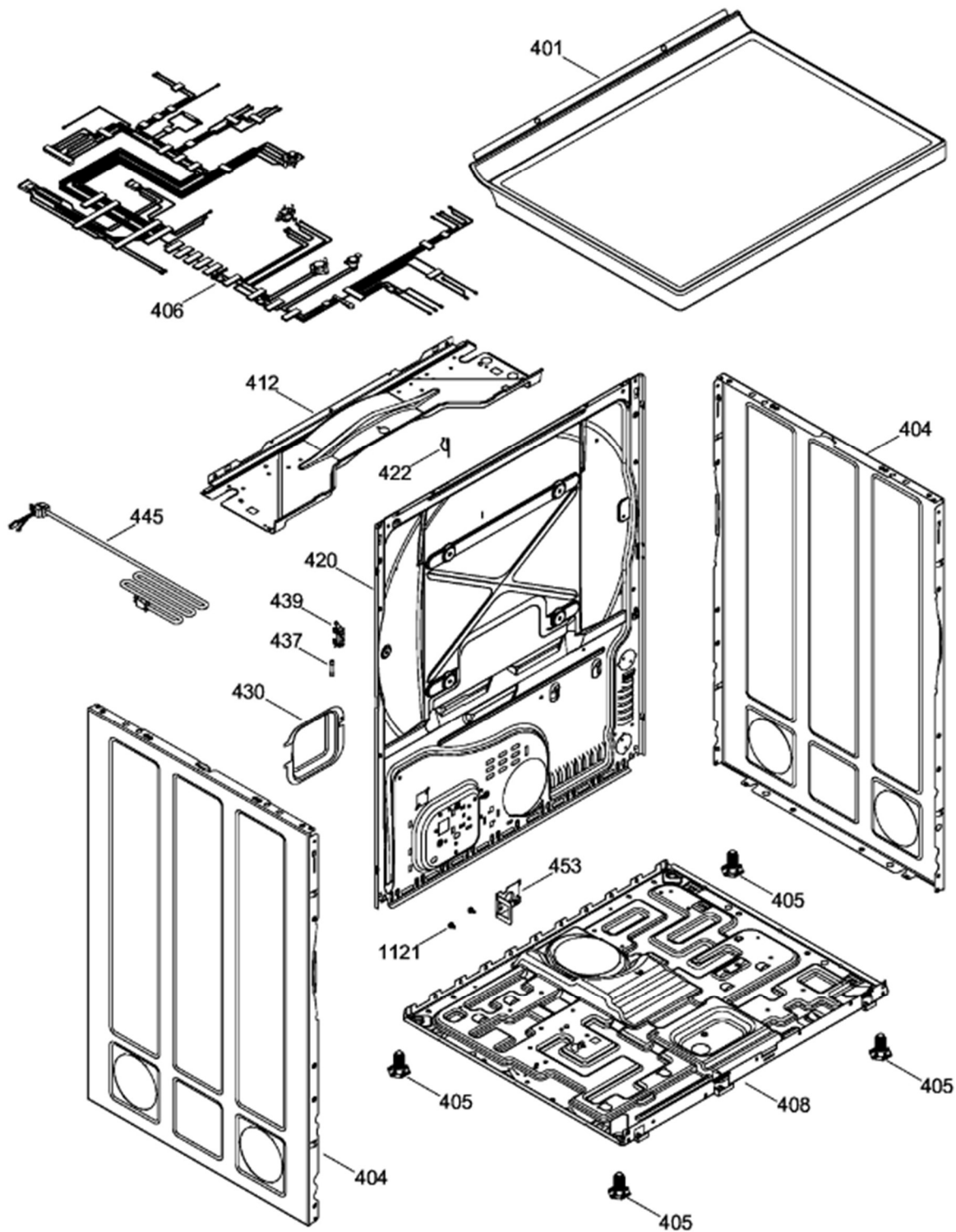
PANEL FRONTAL (ENS) / FRONT PANEL (ASM)
PUERTA (ENS) / DOOR (ASM)

HTDX100GD6WW



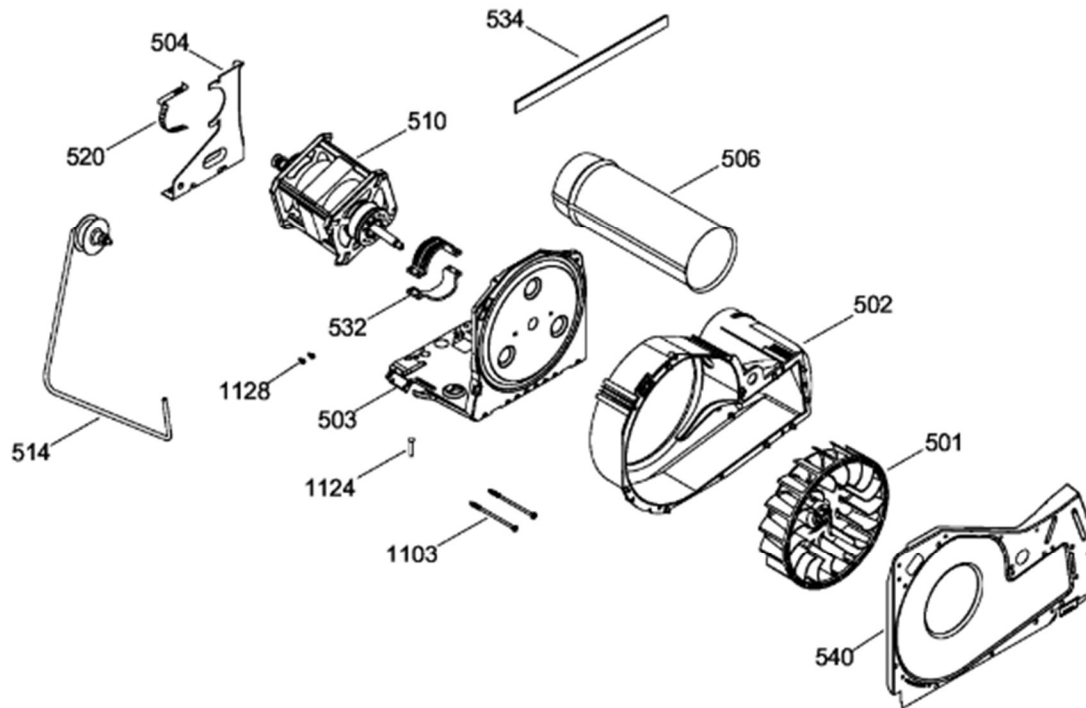
GABINETE / STRUCTURE

HTDX100GD6WW

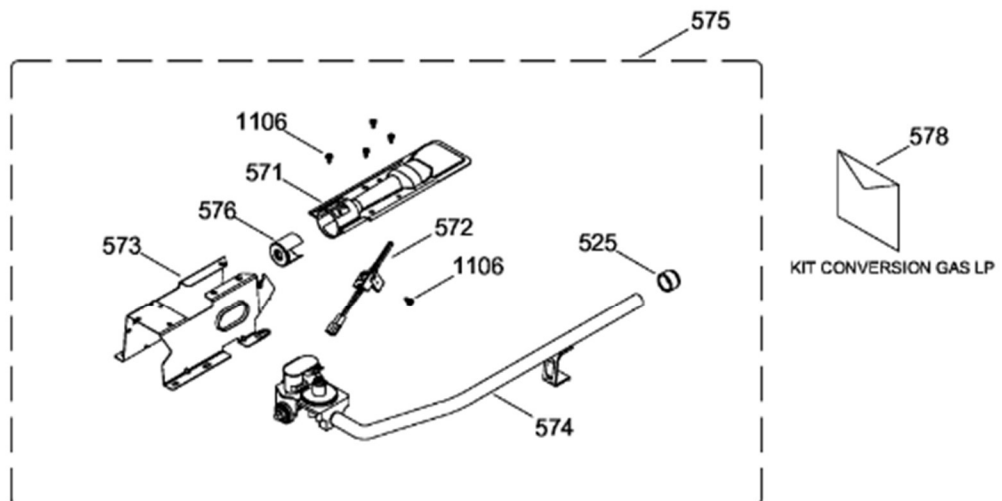


SISTEMA DE TRANSMISION (ENS) / BLOWER & DRIVE (ASM)

HTDX100GD6WW

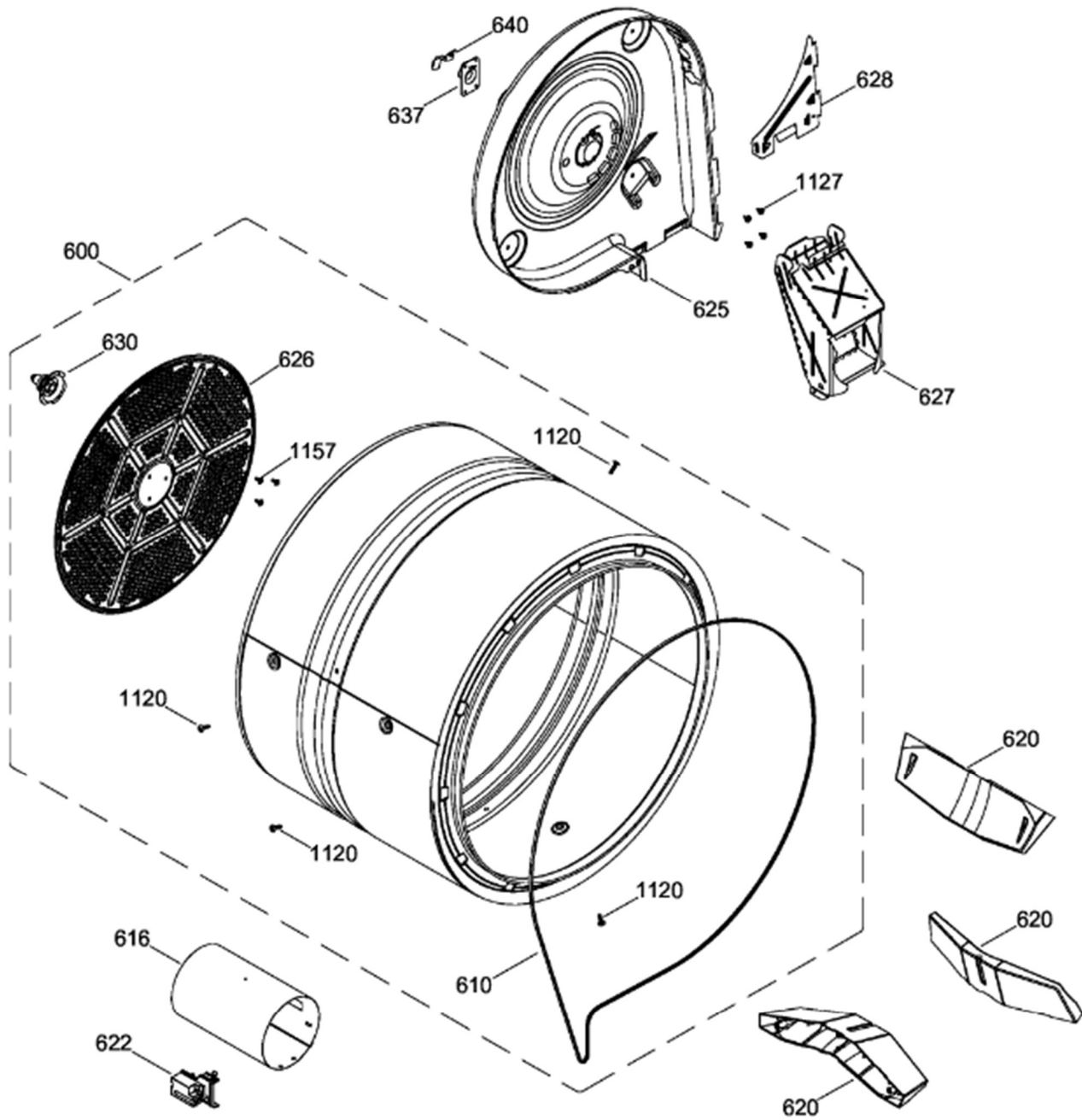


QUEMADOR / BURNER



TAMBOR (ENS) / DRUM (ASM)

HTDX100GD6WW



Guía	Refacción	Descripción
1	234D1201G006	COPETE ENS
7	WW02L00431	MANIVELA ENSAMBLE
8	175D5693G001	PERILLA ENSAMBLE
10	WW02F00437	RELOJ
14	WW02L00082	INTERRUPTOR ROTATORIO
23	WW02L00024	INTERRUPTOR ARRANQUE
32	WW02L00152	BACK PANEL
33	WW03F00355	BOTON Y CLIP ENSAMBLE
100	WW03L00330	PANEL FRONTAL
101	WW02F00616	FILTRO Y MALLA
102	WW02L00025	INTERRUPTOR PUERTA
109	WW02L00517	COJINETE SUPERIOR
110	WW01F01654	ENS COJINETE SUPERIOR
113	WW02F00783	FELPA DUCTO RECOLECTOR
115	WW03A00015	COJINETE DESLIZABLE
116	WW03A00016	COJINETE DESLIZABLE
116	WW02A00250	COJINETE DESLIZABLE
119	WW02F00784	FELPA
120	WW02A00004	STRIKE
123	WW02A00056	STRIKE PLATE
124	WW02A00057	STRIKE PLATE
126	WW02L00040	GASKET FOAM
128	WW03F00354	SELLO
132	WW02L00427	SELLO
137	WW01F01585	ENSAMBLE COLECTOR DE AIRE
137	WW02F00590	ENSAMBLE COLECTOR DE AIRE
202	WW03L00333	PUERTA INTERIOR ENSAMBLE
207	WW03L00308	PUERTA EXTERIOR
208	WW03L00310	JALADERA PUERTA
208	WW03L00310	JALADERA PUERTA
213	WW02L00037	LATCH ASM.
220	WW02L00028	BISAGRA PUERTA
236	WW02A00065	BOTON BELLEZA
401	WW03L00302	CUBIERTA SUPERIOR
404	WW02L00269	SIDE PANEL WHITE
405	WW02L00244	PATA NIVELADORA
406	234D2143G003	ARNES GAS ENS

Guía	Refacción	Descripción
408	WW03L00314	BASE CHASIS
411	WW02L00142	PATA ESTABILIZADORA ENS.
412	WW03L00247	CUBIERTA INFERIOR
420	WW03L00292	PANEL POSTERIOR
420	WW02L00416	PANEL POSTERIOR
422	WW02F00022	CORD SET RETAINER
430	WW02L00211	CUBIERTA TERMINAL FUSIBLE
437	WW03F00460	FUSIBLE
439	WW03F00459	PORTAFUSIBLE
445	WW02F00091	CABLE TOMACORRIENTE
453	WW01A00535	SOPORTE ANTI TENSION
501	WW01F01162	VENTILADOR REDONDO
501	WW02A00011	VENTILADOR REDONDO
502	WW02L00422	CUBIERTA VENTILADOR
503	WW03L00293	BASE MOTOR
504	WW02F00027	SOPORTE MOTOR
506	WW02L00148	DUCTO DE ESCAPE
510	WW03F00447	MOTOR POLEA ENSAMBLE
514	WW03F00350	ENSAMBLE BRAZO TENSOR
520	WW02F00031	CLIP MOTOR
525	WW02A00003	TAPA
532	WW02F00003	CORREA MOTOR
532	WW02A00232	CORREA MOTOR
534	WW02A00026	EMPAQUE ESCAPE SOPLADOR
534	WW02F00785	EMPAQUE ESCAPE SOPLADOR
540	212D1689P003	PLACA DE VENTILADOR
571	WW02A00020	QUEMADORES
572	WW01F01432	IGNITOR
573	WW03A00125	SOPORTE VALVULA DE GAS
574	WW03F00453	VALVULA Y TUBO PARA GAS ENS
575	WW01F01597	ENSAMBLE VALVULA Y QUEMADOR
576	WW02L00140	AIRADOR
578	WW01F01529	VALVULA Y TUBO PARA GAS LP
600	WW03F00363	ENSABMBLE TAMBOR
600	WW03F00414	ENSABMBLE TAMBOR
610	WW03F00351	BANDA
610	WW02F00028	BANDA

Guía	Refacción	Descripción
610	WW02F00854	BANDA SECADORA
616	WW02F00260	TUBO DE COMBUSTION
616	WW02F00260	TUBO DE COMBUSTION
620	WW02L00421	ALETA
622	WW02F00001	DETECTOR TERMOSTATO
625	WW03F00095	DIFUSOR DE GAS
625	WW02F00824	DIFUSOR DE GAS
626	WW02F00827	DIFUSOR
627	WW03F00539	DUCTO DE TRANSICION
628	WW03F00097	PLATO DIFUSOR
628	WW03F00097	PLATO DIFUSOR
630	WW02A00019	ENS. SOPORTE BUJE
637	WW02A00005	RETENEDOR RODAMIENTO
640	WW02F00833	SOPORTE TIERRA ENS
707	WW01A00539	TORNILLO
708	WW02A00098	SCREW
708	WW01A00539	SCREW
1101	WW01A00521	TORNILLO
1101	WW02A00211	TORNILLO
1103	WW02A00032	TORNILLO
1106	WW02A00027	SCREW
1120	WW02A00031	TORNILLO
1121	WW01A00001	TORNILLO
1124	WW02A00070	TORNILLO
1127	WW02A00030	TORNILLO
1127	WW02A00211	TORNILLO
1128	WW02A00211	TORNILLO ESTANDARIZANTE
1131	WW02A00028	TORNILLO
1153	WW01A00454	TORNILLO 30 X 20 IA PP
1157	WW01A00456	TORNILLO #10