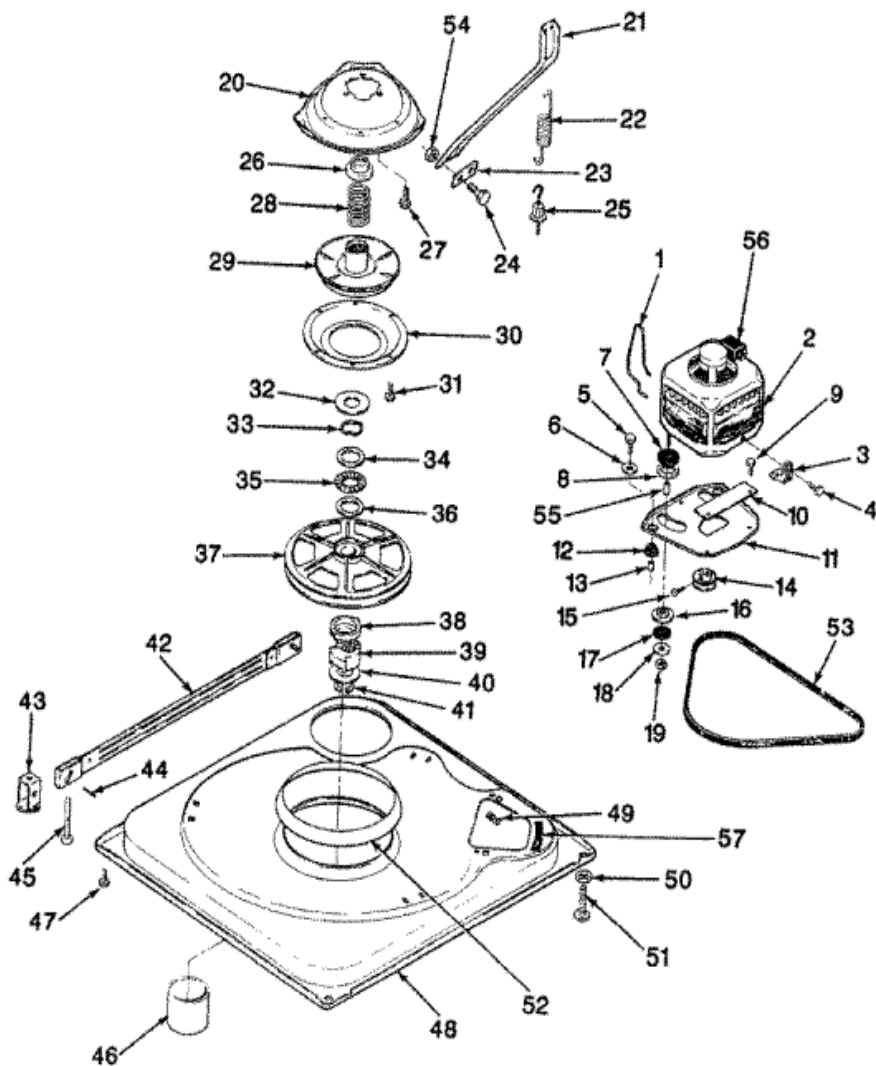


Distribuidor Autorizado

SurteRápido.com

Venta de Refacciones
Electrodomesticas

HWA2006A BASE





HWA2006A BASE

1	35-0235	SPRING, MOTOR PIVOT
2	12001177	MOTOR
3	33-9945	SLIDE, FOOT
4	25-7418	SCREW PURCHASE (S/P)
5	25-7833	SCREW (S/P)
6	25-7834	WASHER (S/P)
7	33-9946	ISOLATOR, MOTOR
8	35-3570	WASHER (S/P)
9	25-3083	SCREW (S/P)
10	33-9947	DBL.PIVOT SLIDE (S/P)
11	21001783	PLATE, MOTOR
12	35-3646	ISOLATOR, MOTOR PLATE (S/P)
13	25-7831	SPACER (S/P)
14	21001836	PULLEY, MOTOR (60HZ)
15	25-7117	SET SCREW (S/P)
16	35-3571	MOTOR SLIDE (S/P)
17	33-9967	WASHER, MOTOR ISOLATOR (S/P)
18	25-7047	WASHER, FLAT (S/P)
19	21002009	NUT, MOTOR PLATE ASY TO MOTOR (S/P)
20	35-2015	SUSPENSION HOUSING
21	25-7930	SCREW 5/16-18X3/4 (S/P)
21	35-2024	BRACE, TUB (S/P)
21	21001436	BRACE, TUB (S/P)
22	35-2682	HOOK SUSPENSION SPRING (S/P)
22	35-2092	DESCONTINUADO
23	35-2025	PLATE, REINFORCEMENT (S/P)
24	25-7912	SCREW (S/P)
25	25-7365	EYE BOLT (S/P)
26	35-2017	RETAINER, BRAKE SPRING
27	21001858	SCREW, SUSP HSG TO LWR BRG ASY (S/P)
28	21001910	SPRING, BRAKE
29	35-2948	BRAKE ROTER & LINING ASSY
30	35-6918	STATOR, BRAKE

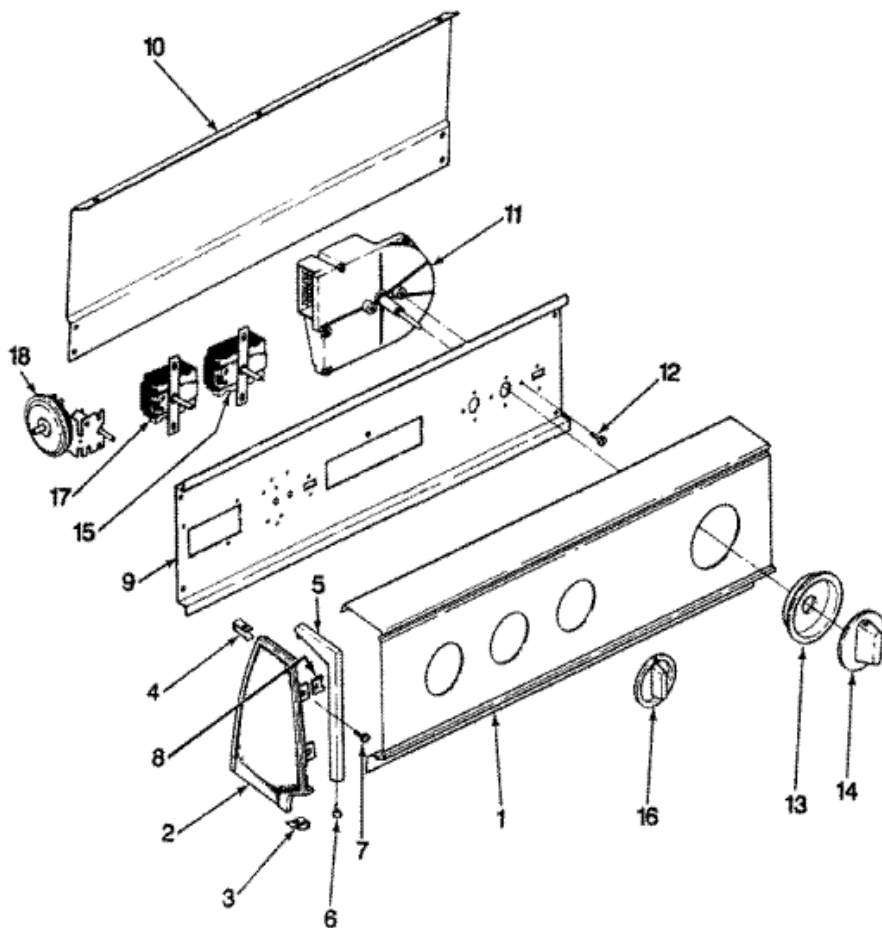
31	25-7359	SCREW (S/P)
32	12002213	SPACER-BEARING
33	25-7909	WASHER
34	12002213	WASHER
35	12002213	THRUST BEARING
36	35-2081	WASHER
37	12002213	DRIVE PULLEY
38	12002213	UPPER CAM
39	12002213	CAM, LOWER
40	35-2082	WASHER, 1.25ODX.530IDX.062
41	25-7854	RING, RETAINING
42	21001881	BAR, STABILIZER (WITH GUIDE)
43	35-2046	BRACKET, STABILIZER
44	35-2052	PIN, STABILIZER
45	35-2039	PAD, FOOT (S/P)
45	22004469	FOOT, SELF STABILIZER
46	35-2007	CAP, DUST
47	25-7828	SCREW, No.10 TORQ LIMITING (S/P)
48	35-2984	DESCONTINUADO
49	25-7845	SPEEDNUT (S/P)
50	25-7915	DESCONTINUADO
51	25001119	FOOT, FRONT (S/P)
52	21002026	SNUBBER
53	21352320	BELT, DRIVE PULLEY
54	25-0226	HEX NUT (S/P)
55	25-7830	SPACER
56	33-9765	SWITCH, MOTOR
56	25-7413	FLAT WASHER (S/P)
57	35-2065	PAD, MOTOR PLATE (S/P)

Distribuidor Autorizado

SurteRápido.com

Venta de Refacciones
Electrodomesticas

HWA2006A TABLERO





HWA2006A TABLERO

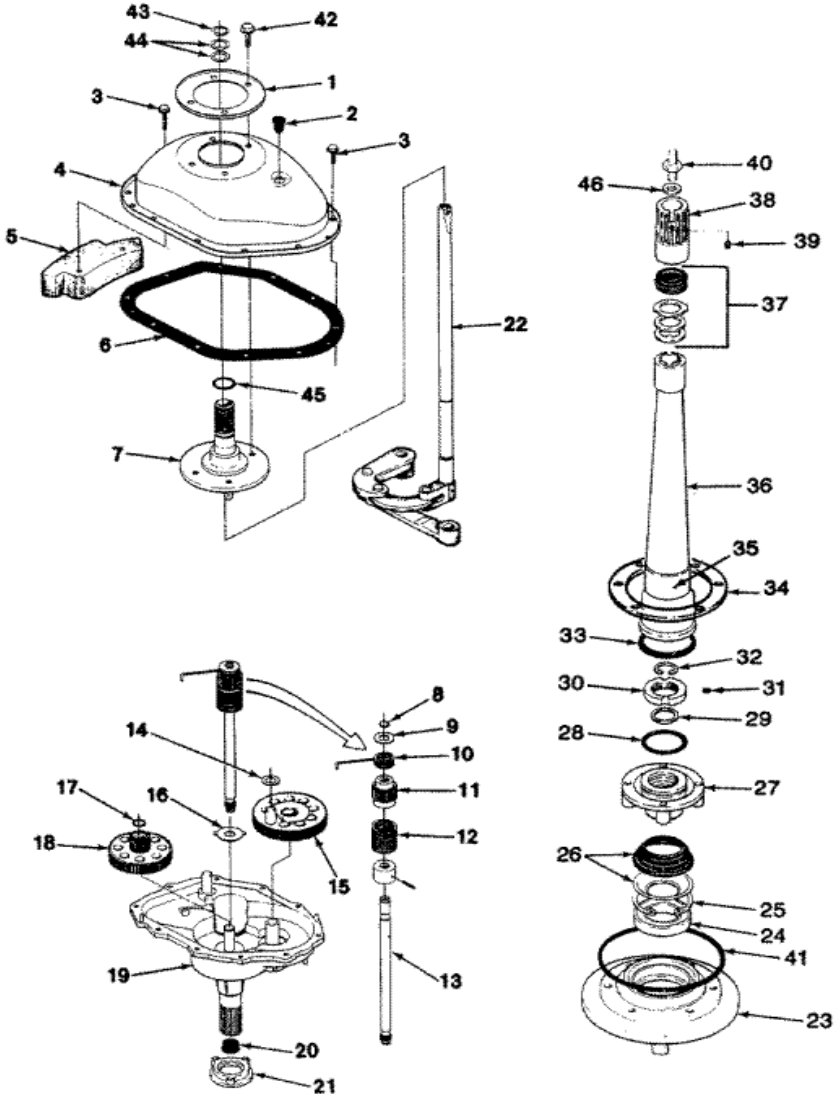
1	25-7793	SCREW (S/P)
1	25-7702	SPEEDCLIP, END CAP TO CTRL PNL (S/P)
1	35-2182	DESCONTINUADO
2	53-0264	RH ENDCAP (S/P)
2	21001451	CAP, END (RT) (S/P)
2	53-0265	LH ENDCAP (S/P)
2	21001452	CAP, END (LT) (S/P)
3	25-7851	SPEEDCLIP, END CAP TO TOP (S/P)
3	34-9487	PLATE, REINFORCEMENT (S/P)
3	25-7697	SCREW (S/P)
4	25-7435	SCREW (S/P)
4	25-7852	DESCONTINUADO
5	53-0277	DESCONTINUADO
5	53-0278	DESCONTINUADO
6	25-7760	SCREW (S/P)
8	25-7702	SPEEDCLIP, END CAP TO CTRL PNL (S/P)
9	53-1676	CONTROL SHIELD (S/P)
10	25-7933	RETAINING RING (S/P)
10	21001460	DESCONTINUADO
10	25-3092	SCREW (S/P)
10	25-3457	SCREW, SEMS (S/P)
10	21001460	DESCONTINUADO
11	35-2750	TIMER
12	25-0205	SCREW (S/P)
13	12500058	KNOB ASM
14	12500058	TIMER KNOB
15	25-3092	SCREW (S/P)
15	35-0119	DESCONTINUADO
16	35-0147	SELECTOR KNOB
17	25-3092	SCREW (S/P)
17	35-0162	DESCONTINUADO
18	21001554	PRESSURE SWITCH

Distribuidor Autorizado

SurteRápido.com

Venta de Refacciones
Electrodomesticas

HWA2006A TRANSMISION



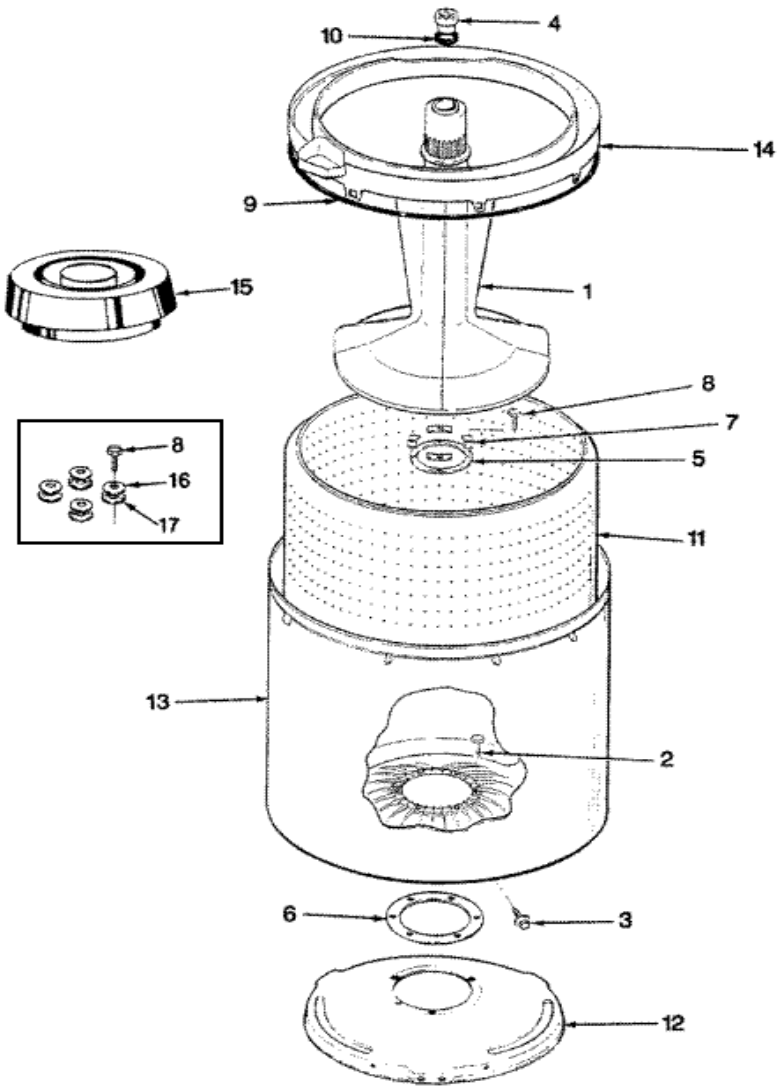


HWA2006A TRANSMISION

1	21001534	DESCONTINUADO
1	33-7187	REINFORCMT COVR (S/P)
2	33-9373	OIL FILL PLUG (S/P)
3	25-7916	BOLT (S/P)
4	33-4286N	DESCONTINUADO
5	35-2130	COUNTER WEIGHT (S/P)
6	35-0542	GASKET, TRANSMISSION HOUSING
7	33-4286N	DESCONTINUADO
8	25-7847	RING, RETAINING (CLUTCH ASSY.)
9	25-7415	DESCONTINUADO
10	33-6463	SPRING
11	35-2001	PINION, DRIVE
12	35-3608	SPRING
13	LA-2005	DESCONTINUADO
13	35-2116	DESCONTINUADO
14	25-7091	THRUST WASHER (S/P)
15	35-2043	CRANK GEAR (S/P)
16	35-3825	THRUST WASHER (S/P)
16	25-7274	WASHER, STEEL (S/P)
16	35-2070	WASHER, STEEL W/TABS (S/P)
17	25-7933	RETAINING RING (S/P)
18	35-0547	CLUSTER GEAR
19	35-2449	TRANSMISSION HOUSING ASSY (S/P)
20	207843	SEAL, TRANSMISSION HOUSING(LIP)
21	12001562	HOUSING & BEARING ASSY
22	35-0628	LINKAGE ASM
23	LA2009	HOUSING, W/O BEARING & SEAL
24	35-2205	BEARING, SPIN (S/P)
25	25-7849	RETAINING RING
26	33-7224N	TUB SEAL ASM
27	LA-2009	DESCONTINUADO
28	35-2061	GASKET, TUB TO HOUSING (S/P)
29	33-4293N	``O`` RING, DRIVE TUBE

30	33-9507	LOCKNUT ASSY
31	25-7120	DESCONTINUADO
32	25-7848	RETAINING RING (S/P)
33	33-8718	GASKET
34	35-0930	DESCONTINUADO
35	33-6790	BEARING, AGITATOR
36	33-4283N	DESCONTINUADO
37	33-7806N	SEAL ASSEMBLY
38	33-9729	DESCONTINUADO
39	25-7378	SET SCREW (S/P)
40	33-6817	STUD
41	35-2060	SEAL, TUB TO HOUSING
42	25-7359	SCREW (S/P)
43	25-7848	RETAINING RING (S/P)
44	25-7057	WASHER, FLAT
45	25-7722	``O`` RING, DRIVE TUBE
46	25-7316	DESCONTINUADO

HWA2006A TINA

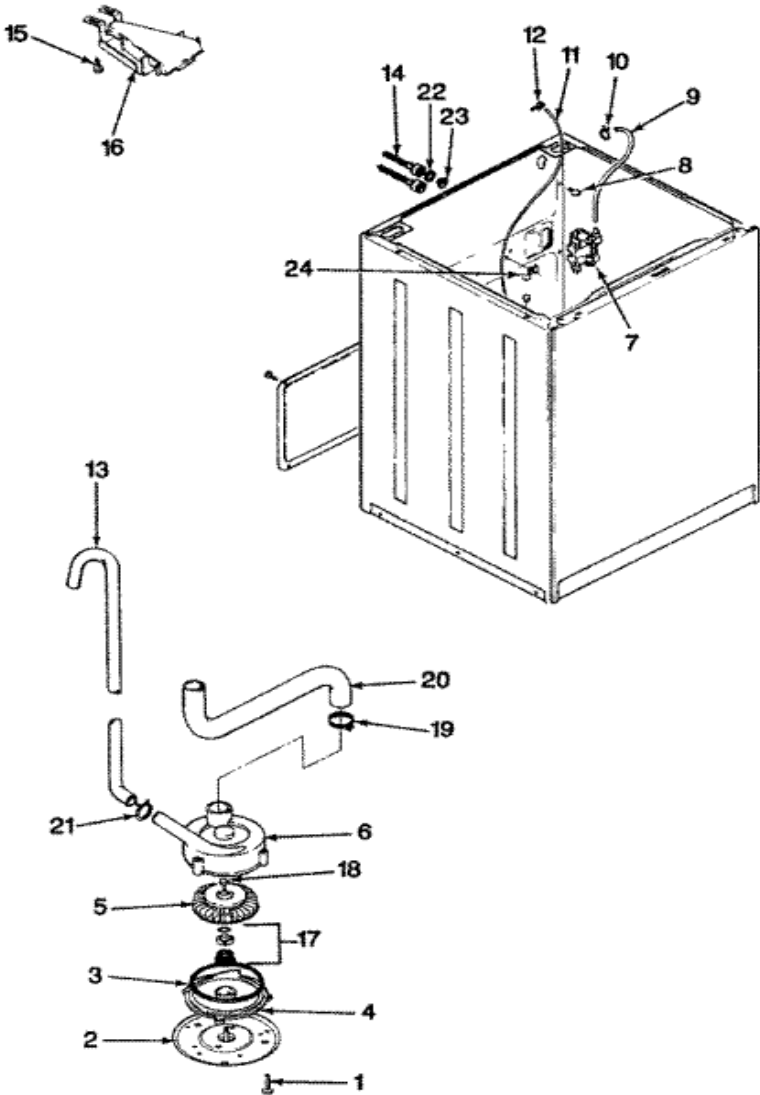




HWA2006A TINA

1	35-2456	AGITATOR
2	21001063	SCREW, SHOULDER TYPE (S/P)
3	25-7914	SCREW (S/P)
4	33-6241	CAP
5	35-2060	SEAL, TUB TO HOUSING
6	35-2061	GASKET, TUB TO HOUSING (S/P)
7	35-8799	REINFORCEMENT PLATE (S/P)
8	25-7783	SCREW (S/P)
9	35-2328	SEAL, TUB TOP
10	25-7330	DESCONTINUADO
11	35-3018	DESCONTINUADO
12	35-2023	TUB SUPPORT (S/P)
12	35-2529	TUB SUPPORT (S/P)
13	35-2038	TUB (S/P)
14	35-3578	DESCONTINUADO
14	35-2262	DESCONTINUADO
15	35-2550	RINSE DISPENSER
16	25-7921	STEEL WASHER (S/P)
17	25-7922	CORK WASHER (S/P)

HWA2006A GABINETE





HWA2006A GABINETE

1	25-7405	SCREW (S/P)
2	33-6035	DESCONTINUADO
3	33-6032	GASKET (S/P)
4	35-2058	BASE, PUMP (S/P)
5	21001906	IMPELLER
6	35-2056	DESCONTINUADO
6	21001906	PUMP ASSY (COMPLETE)
7	35-2374N	VALVE, WATER MIXING (S/P)
7	25-7220	CLIP, CABINET TOP (S/P)
8	25-7867	CLAMP (S/P)
9	12002749	HOSE, FLUME/DIVERTER (RUBBER) (S/P)
10	25-7867	CLAMP (S/P)
11	21001748	HOSE, PRESSURE SWITCH (S/P)
11	35-2261	PAD, PRESSURE SWITCH HOSE (S/P)
12	33-6099	CLAMP (S/P)
13	33-9436	RUBBER HOSE
14	89503	HOSE, 5' INLET
14	21001466	HOSE, INLET (S/P)
15	25-3092	SCREW (S/P)
16	35-2051	FLUME, WATER INLET
17	35-0707	DESCONTINUADO
18	25-7894	SCREW (S/P)
19	25-6099	CLAMP (S/P)
20	35-2131	HOSE, SUMP TO PUMP (S/P)
21	27001223	CLAMP, DISCHARGE HOSE (S/P)
22	25-7048	WASHER (S/P)
23	33-4264N	STRAINER, HOSE (S/P)
24	33-6099	CLAMP (S/P)