

Distribuidor Autorizado

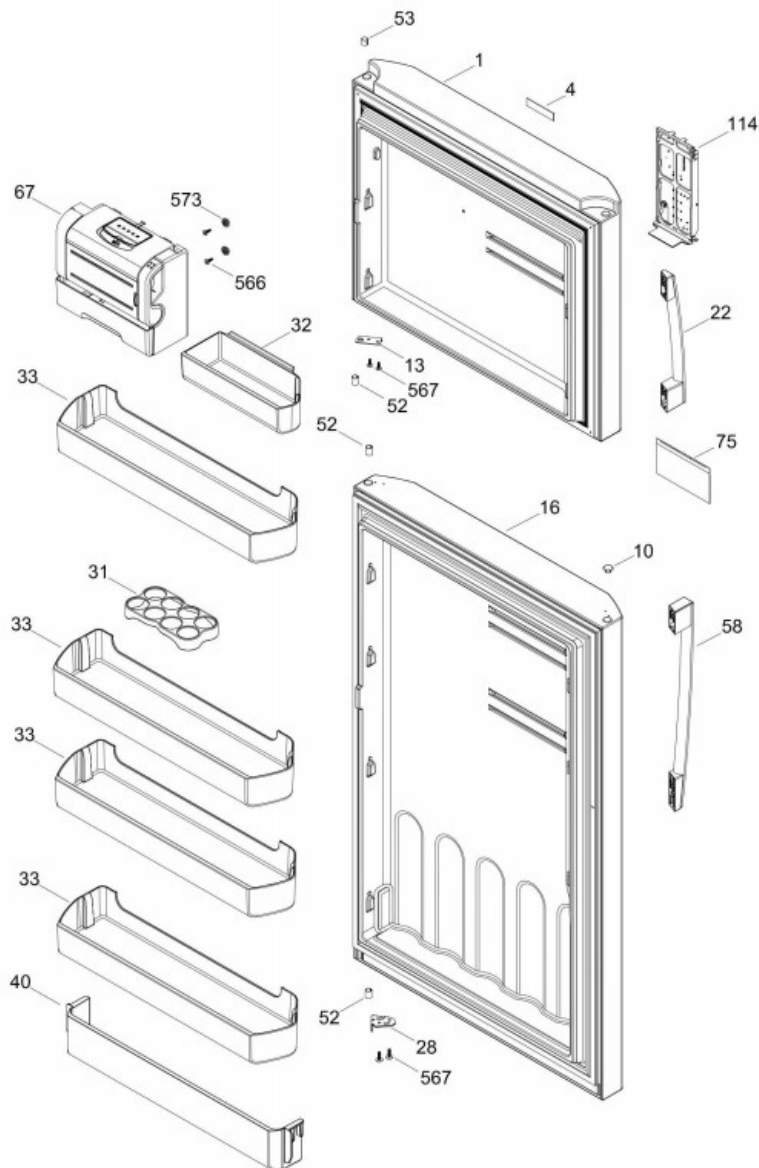
SurteRápido.com

Venta de Refacciones
Electrodomesticas

Refrigerador Mabe IOM1951ZMXNJ

PUERTA

IOM1951ZMXNJ



Distribuidor Autorizado

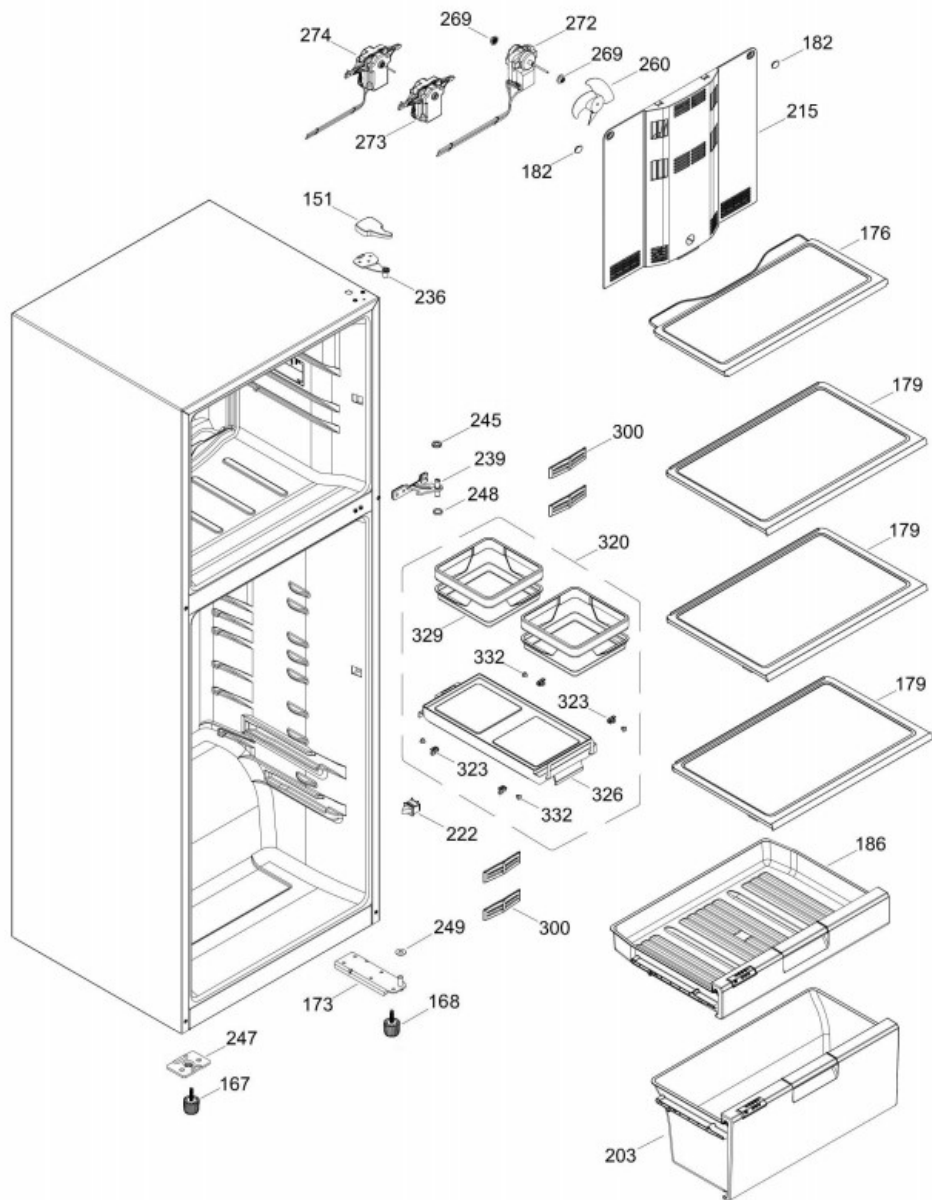
SurteRápido.com

Venta de Refacciones
Electrodomesticas

Refrigerador Mabe IOM1951ZMXNJ

GABINETE

IOM1951ZMXNJ



Distribuidor Autorizado

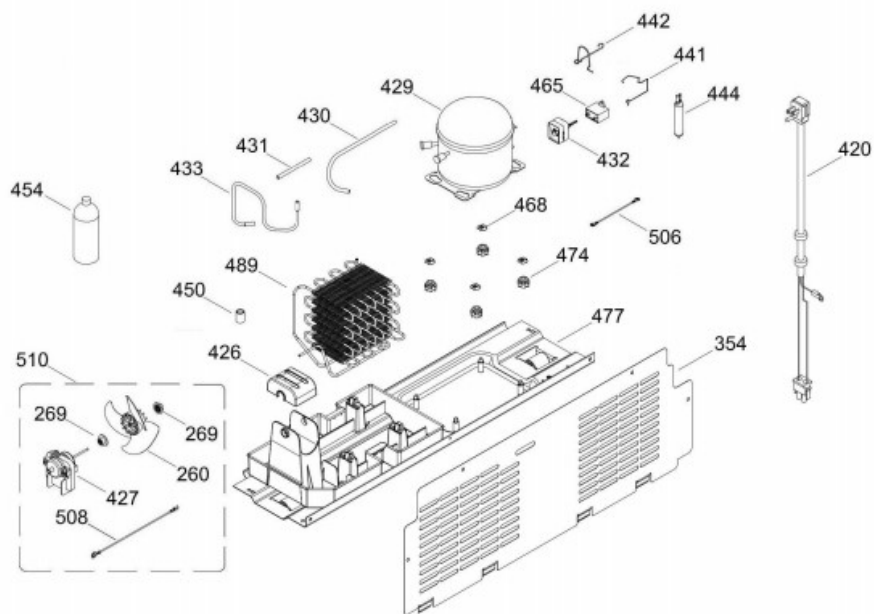
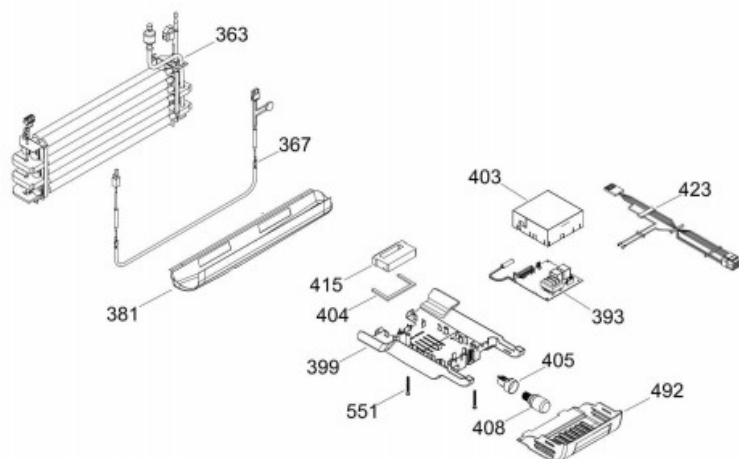
SurteRápido.com

Venta de Refacciones
Electrodomesticas

Refrigerador Mabe IOM1951ZMXNJ

UNIDAD REFRIGERANTE

IOM1951ZMXNJ



Distribuidor Autorizado

SurteRápido.com

Venta de Refacciones
Electrodomesticas

Refrigerador Mabe IOM1951ZMXNJ

| Guía | Componente | Descripción |
|------|--------------|-----------------------------------|
| 1 | 225D2400G035 | PUERTA FZ.ESP.Z.510.G.TOUCH V.NEG |
| 4 | 223C5862P002 | LOGO IO MABE |
| 10 | 238C1221P008 | TAPON BUJE |
| 13 | 355B3033P001 | TOPE PUERTA CONGELADOR |
| 16 | 225D2401G031 | PUERTA FF.ESP.Z.510.VIDRIO NEGRO |
| 22 | 225D2586G001 | JALADERA |
| 28 | 238C3593P001 | TOPE PUERTA FF |
| 31 | 238C4768P001 | CHAROLA DE HUEVOS (8) |
| 32 | 225D6142P001 | ANAQUEL |
| 33 | 225D6144P001 | ANAQUEL |
| 40 | 225D6146P001 | ANAQUEL |
| 52 | 238C2207P001 | BUJE BISA 1GRA |
| 53 | 355B2134P001 | BUSHING HINGE |
| 58 | 225D2587G001 | JALADERA |
| 67 | 225D5990G002 | FABRICA HIELOS ENS. |
| 75 | 238C4510P001 | ETIQUETA SOPORTE DISPLAY |
| 114 | 238C4228G004 | TARJETA Y SOPORT.ENS. |
| 151 | 200D4951P011 | TAPA BISAGRA |
| 167 | 314B8640P010 | TORNILLO NIVELADOR |
| 168 | 314B8640P011 | TORNILLO NIVELADOR |
| 173 | 200D3283G011 | SOP. BIS. INF. ENS. COMP. |
| 176 | 225D6049G002 | PARRILLA CONG. ENS. |
| 179 | 225D6046G002 | PARRILLA REFR. ENS. |
| 182 | 355B2012P001 | BOTON |
| 186 | 225D6054G008 | CAJON DELI ENS.C/INSERTO(510LT |
| 203 | 225D6052G011 | ENS. CAJON VEGETALES 500L |
| 215 | 225D6465G002 | ENS. CUBIERTA EVAPORADOR |
| 222 | 314B8274P003 | INTERRUPTOR FOCO |

Distribuidor Autorizado

SurteRápido.com

Venta de Refacciones
Electrodomesticas

Refrigerador Mabe IOM1951ZMXNJ

| Guía | Componente | Descripción |
|------|--------------|-----------------------------------|
| 236 | 238C4105G001 | SEPARADOR-BISAGRA SUPERIOR ENS. |
| 239 | 355B3920G002 | BISAGRA INTERMEDIA ENS. |
| 245 | 238C4764P001 | ESPACIADOR PUERTA SIRIUS 360 |
| 247 | 238C3963P001 | SOPORTE NIVELADOR |
| 248 | 203C2032P010 | RONDANA BISAGRA |
| 249 | 238C3660P002 | ESPACIADOR BISAGRA |
| 260 | 197D3131G006 | ASPA DE VENTILADOR ENS |
| 269 | 221C5143P001 | EMPAQUE VENTILADOR |
| 272 | 200D2940P025 | MOTOR VENTILADOR FZ.127V.S.360 |
| 273 | 225D6193P001 | CUBIERTA MOTOR |
| 274 | 225D6184G001 | ENS.MOTOR VENT.EVA SIRIUS 110V |
| 300 | 238C4459P001 | REJILLA DE AIRE FF |
| 320 | 225D9343G001 | ENS. ESTACION DE ACCESO RAPIDO |
| 323 | 238C5259P001 | BUJE |
| 326 | 238C5261G001 | ENS. BASE DE ESTACION ACC. RAPIDO |
| 329 | 238C5264G001 | ENS. CAJA |
| 332 | 225D8312P001 | TOPE MANGUETE VRT |
| 354 | 225D2317P004 | TAPA COMPRESOR |
| 363 | 225D6018G026 | ENS.COMP.EVAP.127V 510LITROS |
| 367 | 225D7049G016 | ARNES RESIST"Y"127V(510LT)COMP |
| 381 | 225D5671P002 | CHAROLA DESHIELO |
| 393 | 200D8822G010 | TARJETA CONTROL |
| 399 | 225D6217P002 | CAJA CONTROL |
| 403 | 225D6218P002 | CAJA PROTECTOR TARJETA |
| 404 | 355B3705P001 | SELLO DE ESPUMA |
| 405 | 238C2927P001 | SOCKET ENS. |
| 408 | 238C4973P003 | FOCO LED 130V (1.5W) |
| 415 | 238C4573P001 | DUCTO SENS.OR AIRE |

Distribuidor Autorizado

SurteRápido.com

Venta de Refacciones
Electrodomesticas

Refrigerador Mabe IOM1951ZMXNJ

| Guía | Componente | Descripción |
|------|--------------|--------------------------------|
| 420 | 225D6117G007 | ENS ARNES TOMACORRIENTE |
| 423 | 225D7048G001 | ARNES CAJA CONTROL SIRIUS 360 |
| 426 | 238C2142P002 | CLIP MOTOR CONDENSADOR ROHS |
| 427 | 200D2940P023 | MOTOR VENTILADOR |
| 427 | 200D2940P032 | MOTOR VENTILADOR |
| 429 | 200D3627G008 | ENS. COMPRESOR ACEITE |
| 430 | 355B1400P002 | APEND.TUBO CARGA 400-510.115V |
| 431 | 314B9038P004 | APENDICE DE SERVICIO 85MM |
| 432 | 200D5578P005 | ACCS ELEC 5SP16B308RH |
| 433 | 238C1761P001 | TUBO APENDICE SUCCION 15'16'18 |
| 441 | 355B2089P010 | CLIP 5SP 127V GLOBE CAPACITOR |
| 442 | 355B2089P012 | CLIP CONECTOR |
| 444 | 221C5100P008 | FILTRO DESHIDRATADOR |
| 450 | 355B1473P001 | VALVULA DREN |
| 454 | G134P002 | GAS 134 LATA 340 GRS |
| 454 | 022-021109-1 | GAS 134 LATA 340 GRS |
| 465 | 238C2606P002 | CAPACITOR |
| 468 | 238C4369P001 | AMORTIGUADOR |
| 474 | 871516P006 | CLIP COMPRESOR |
| 477 | 200D2405G004 | ENS. SOPORTE COMPRESOR |
| 477 | 200D2405G005 | ENS. SOPORTE COMPRESOR |
| 489 | 200D3706P003 | CONDENS.ADOR MULTILAYER |
| 492 | 225D6059P001 | CUBIERTA LUZ |
| 506 | 314B9082G001 | ARNES DE TIERRA |
| 508 | 314B9082G014 | ARNES TIERRA POLAR |
| 510 | 355B1403G005 | MOTOR ASPA ENS. |
| 573 | 355B3556P001 | BOTON FABRICA DE HIELOS |