

Distribuidor Autorizado

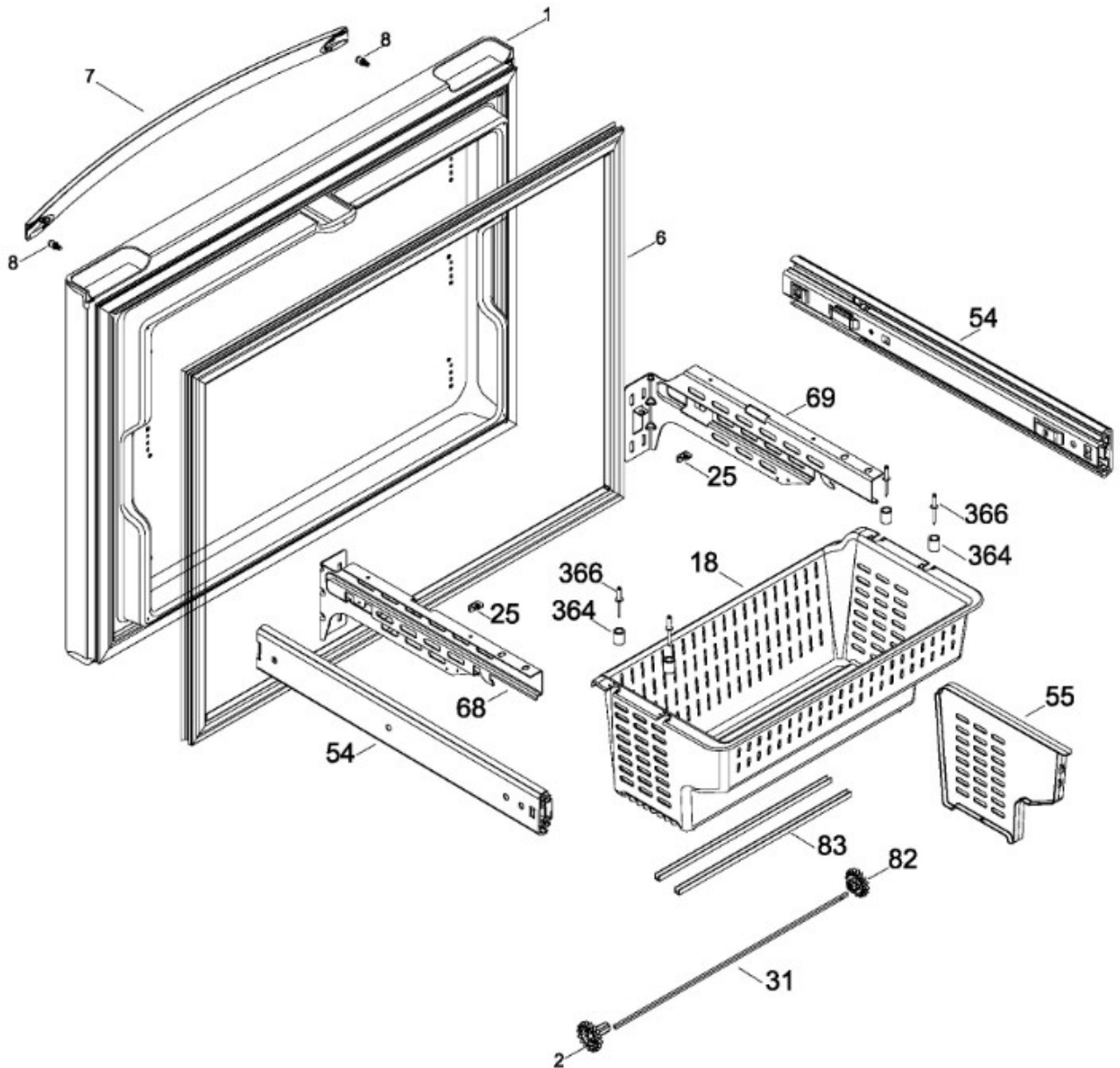
SurteRápido.com

Venta de Refacciones
Electrodomesticas

REFRIGERADOR IOMS1RIZB SS

PUERTA CONGELADOR
FREEZER DOOR

IOMS1RIZB SS



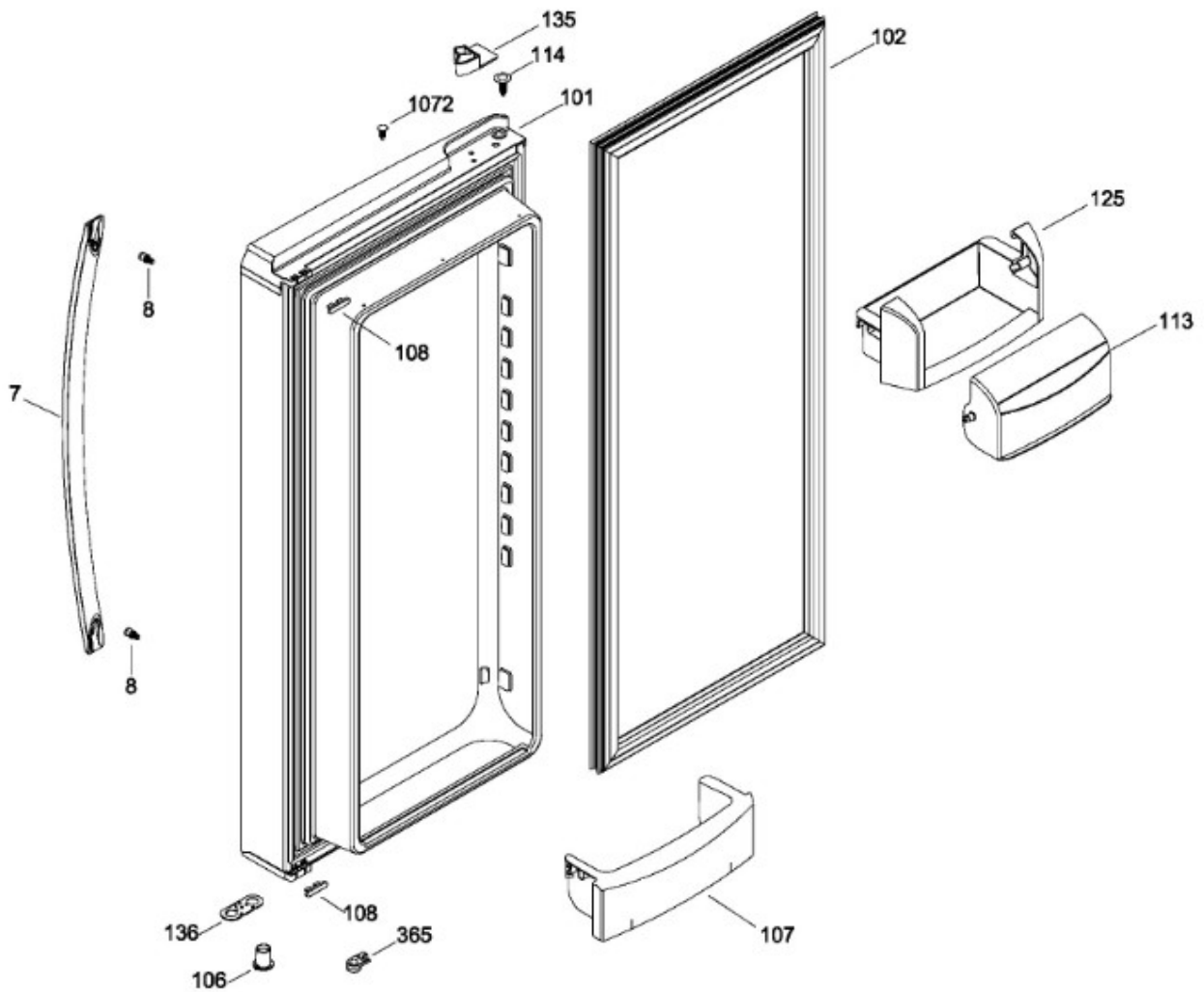
Distribuidor Autorizado

SurteRápido.com

Venta de Refacciones
Electrodomesticas

REFRIGERADOR IOMS1RIZB SS

PUERTA ENFRIADOR IZQUIERDA
FRESH FOOD DOOR LEFT



Distribuidor Autorizado

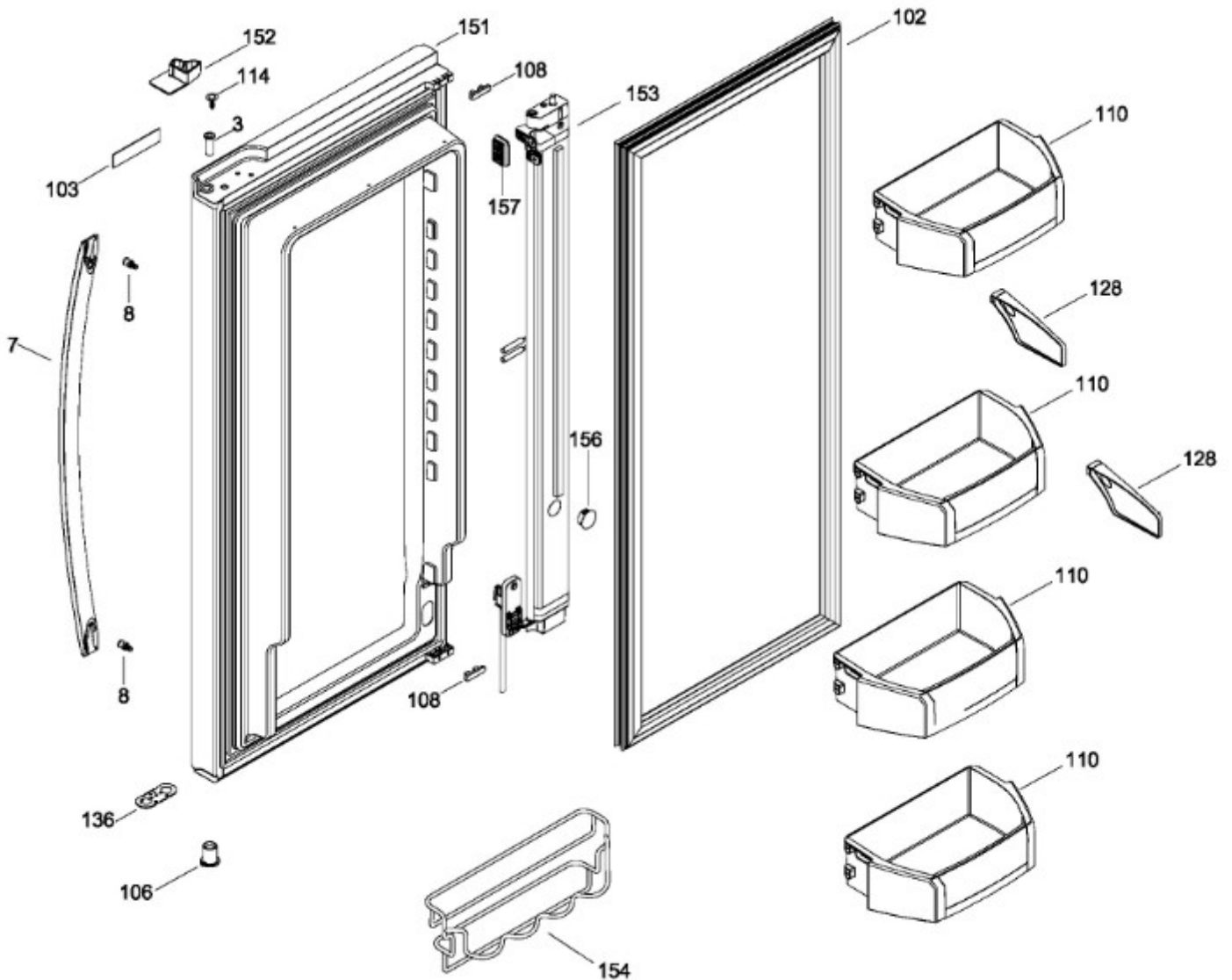
SurteRápido.com

Venta de Refacciones
Electrodomesticas

GSMT6AEFCFSP IOMS1RIZB SS

PUERTA ENFRIADOR DERECHA
FRESH FOOD DOOR RIGHT

IOMS1RIZB SS



Distribuidor Autorizado

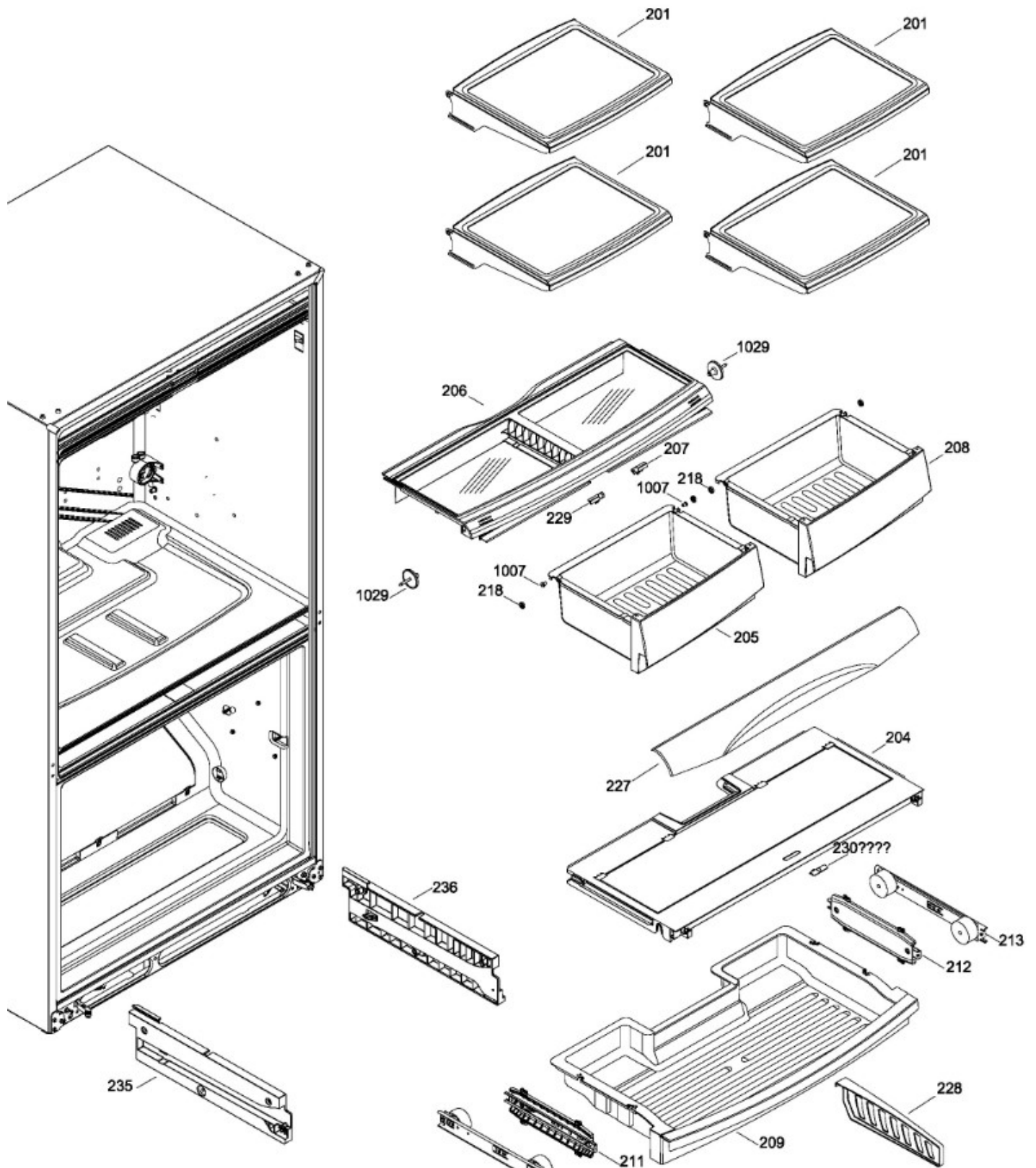
SurteRápido.com

Venta de Refacciones
Electrodomesticas

REFRIGERADOR IOMS1RIZB SS

PARRILLAS DEL CONSERVADOR DE ALIMENTOS
FRESH FOOD SHELVES FF

IOMS1RIZB SS



Distribuidor Autorizado

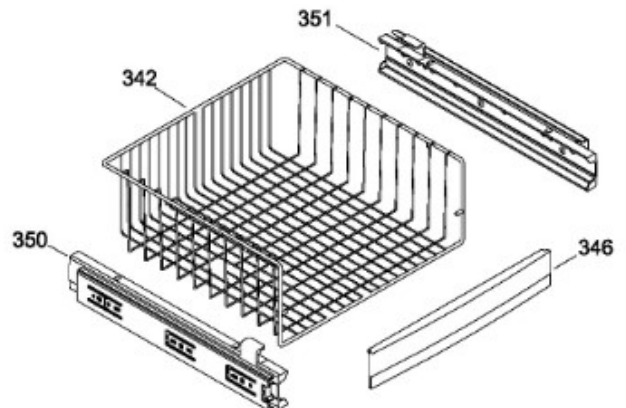
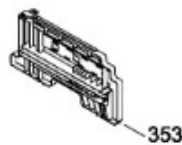
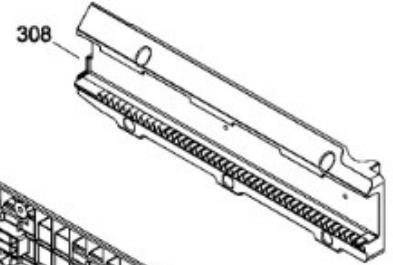
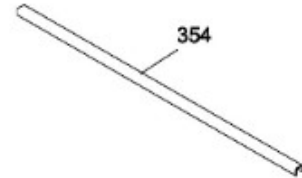
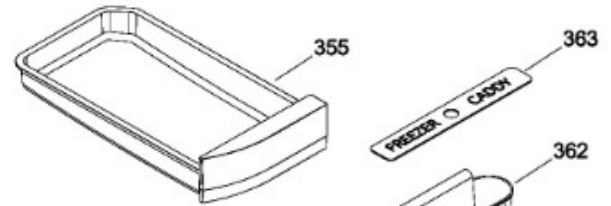
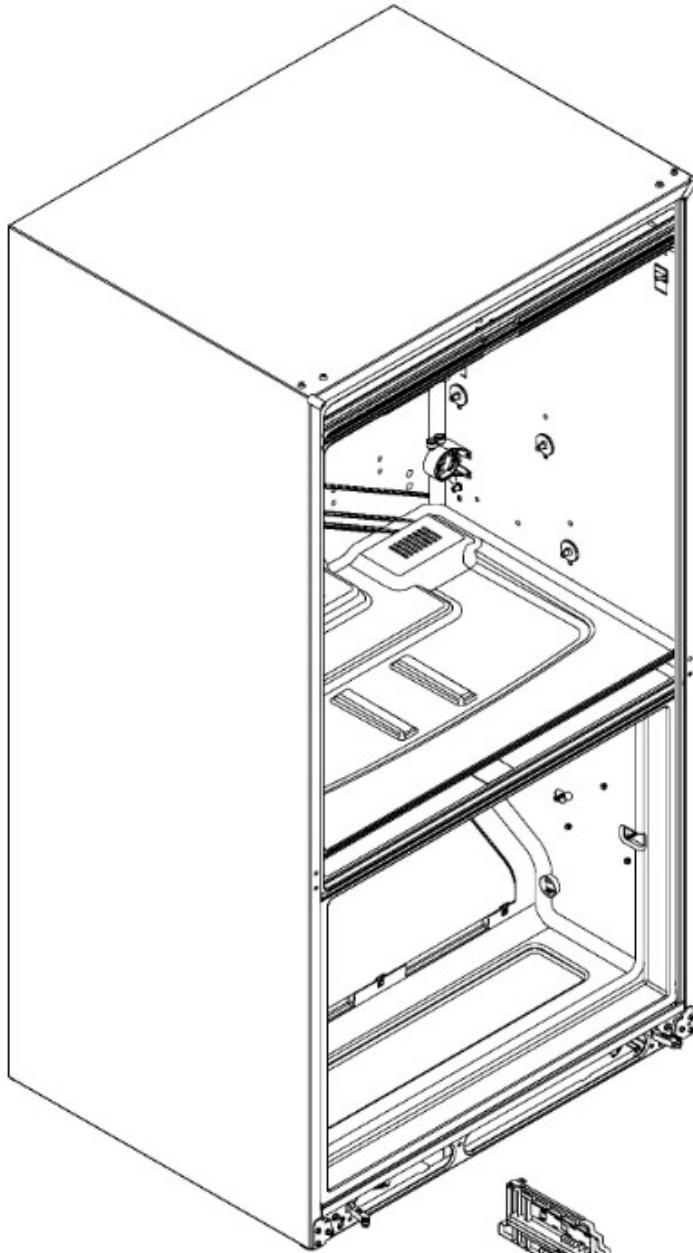
SurteRápido.com

Venta de Refacciones
Electrodomesticas

REFRIGERADOR IOMS1RIZB SS

CANASTAS DEL CONGELADOR DE ALIMENTOS
FREEZER SECTION BASKETS

IOMS1RIZB SS



Distribuidor Autorizado

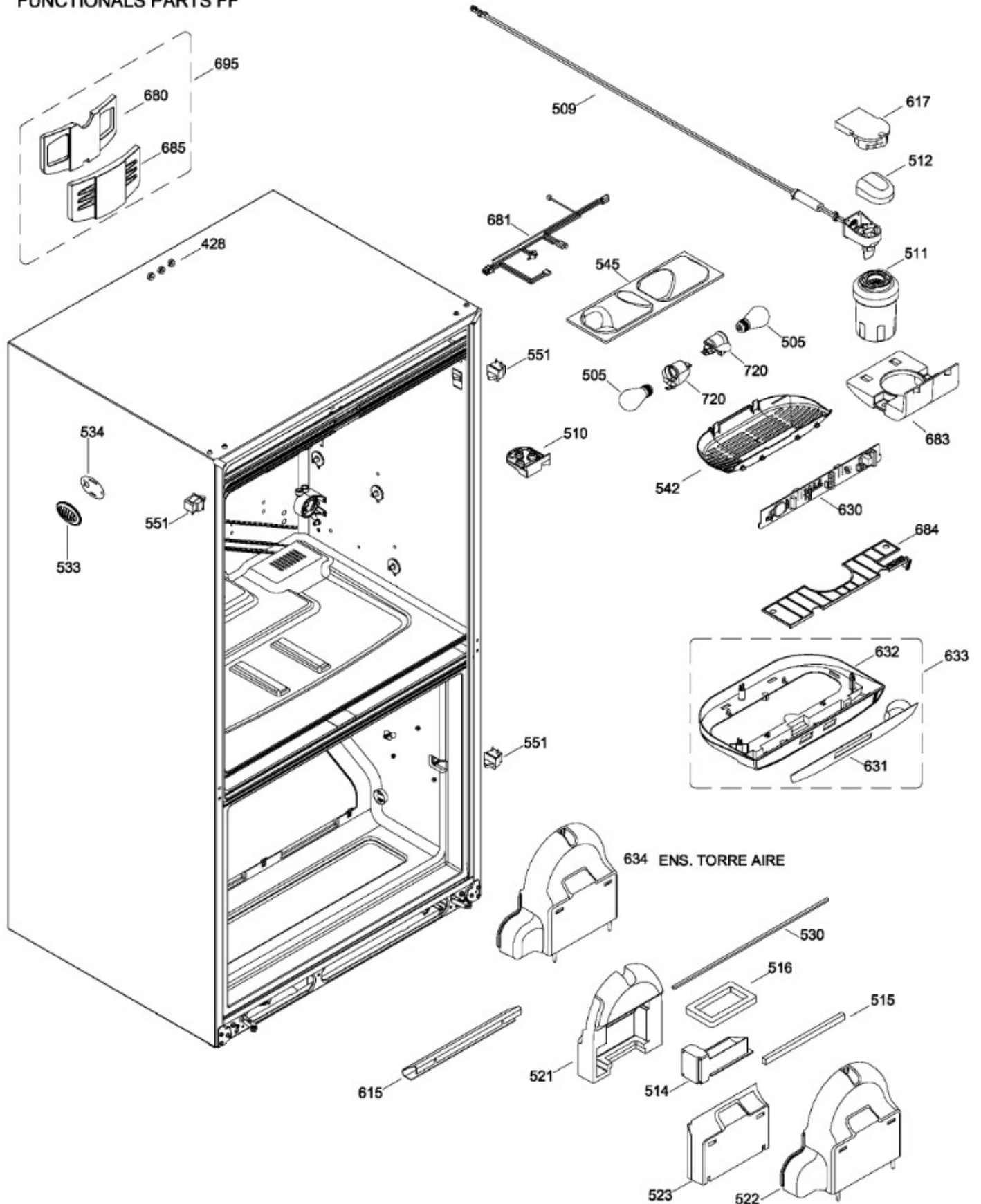
SurteRápido.com

Venta de Refacciones
Electrodomesticas

REFRIGERADOR IOMS1RIZB SS

PARTES FUNCIONALES DEL CONSEVADOR
FUNCTIONALS PARTS FF

IOMS1RIZB SS



Distribuidor Autorizado

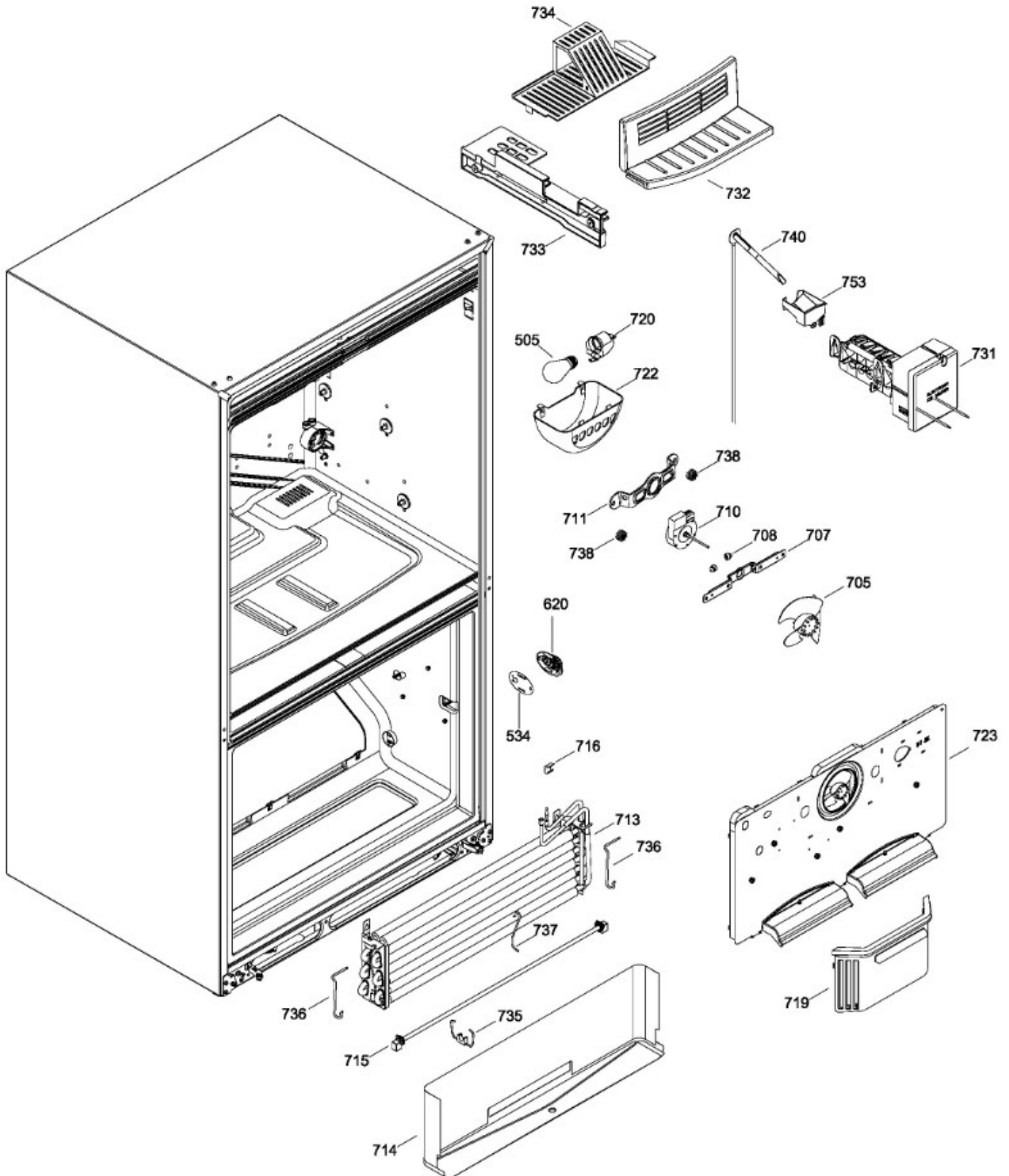
SurteRápido.com

Venta de Refacciones
Electrodomesticas

REFRIGERADOR IOMS1RIZB SS

PARTES FUNCIONALES DEL CONGELADOR
FUNCTIONALS PARTS FZ

IOMS1RIZB SS



Distribuidor Autorizado

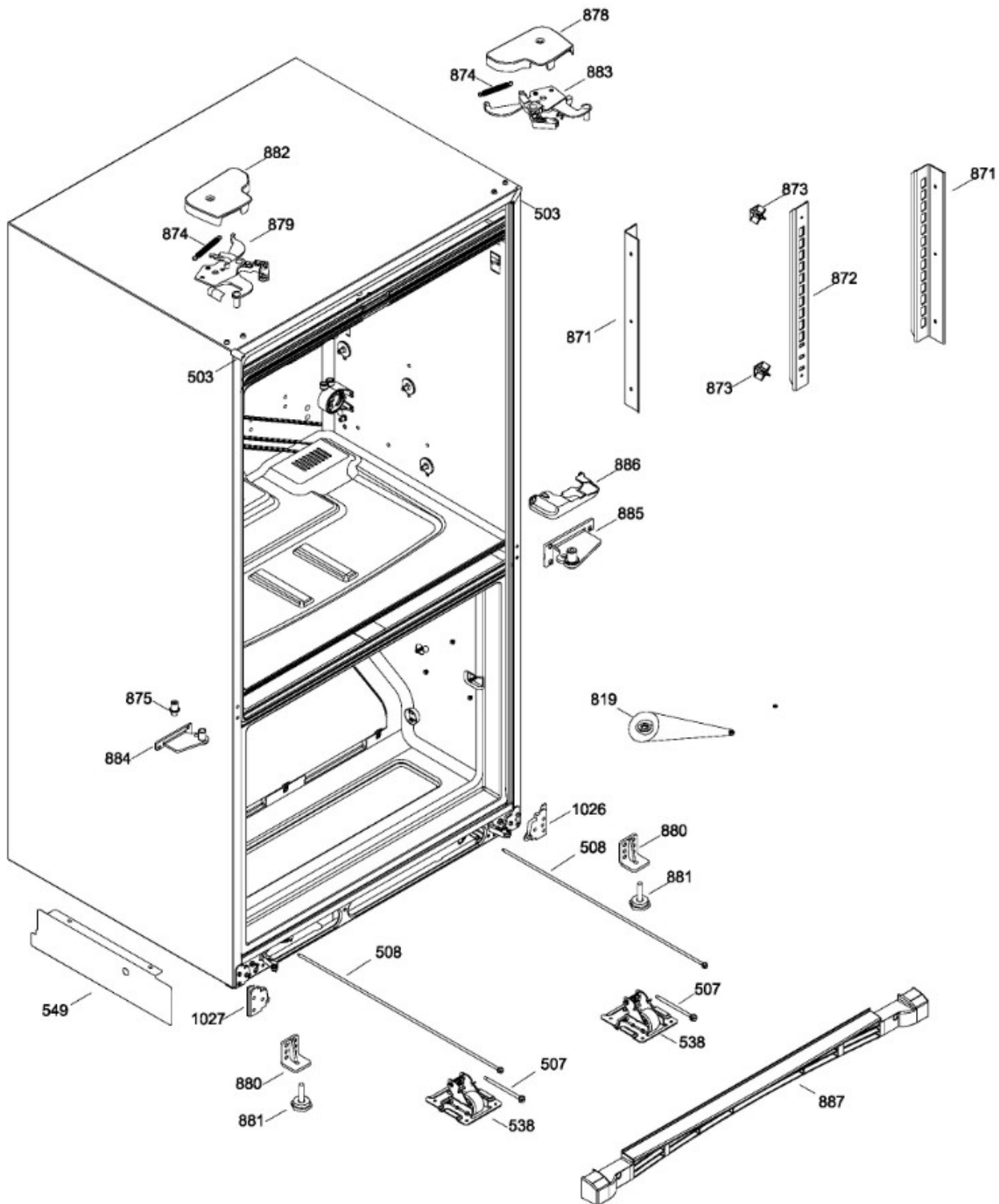
SurteRápido.com

Venta de Refacciones
Electrodomesticas

REFRIGERADOR IOMS1RIZB SS

PARTES BISAGRAS DEL REFRIGERADOR
PARTS HINGE FRIDGE

IOMS1RIZB SS



Distribuidor Autorizado

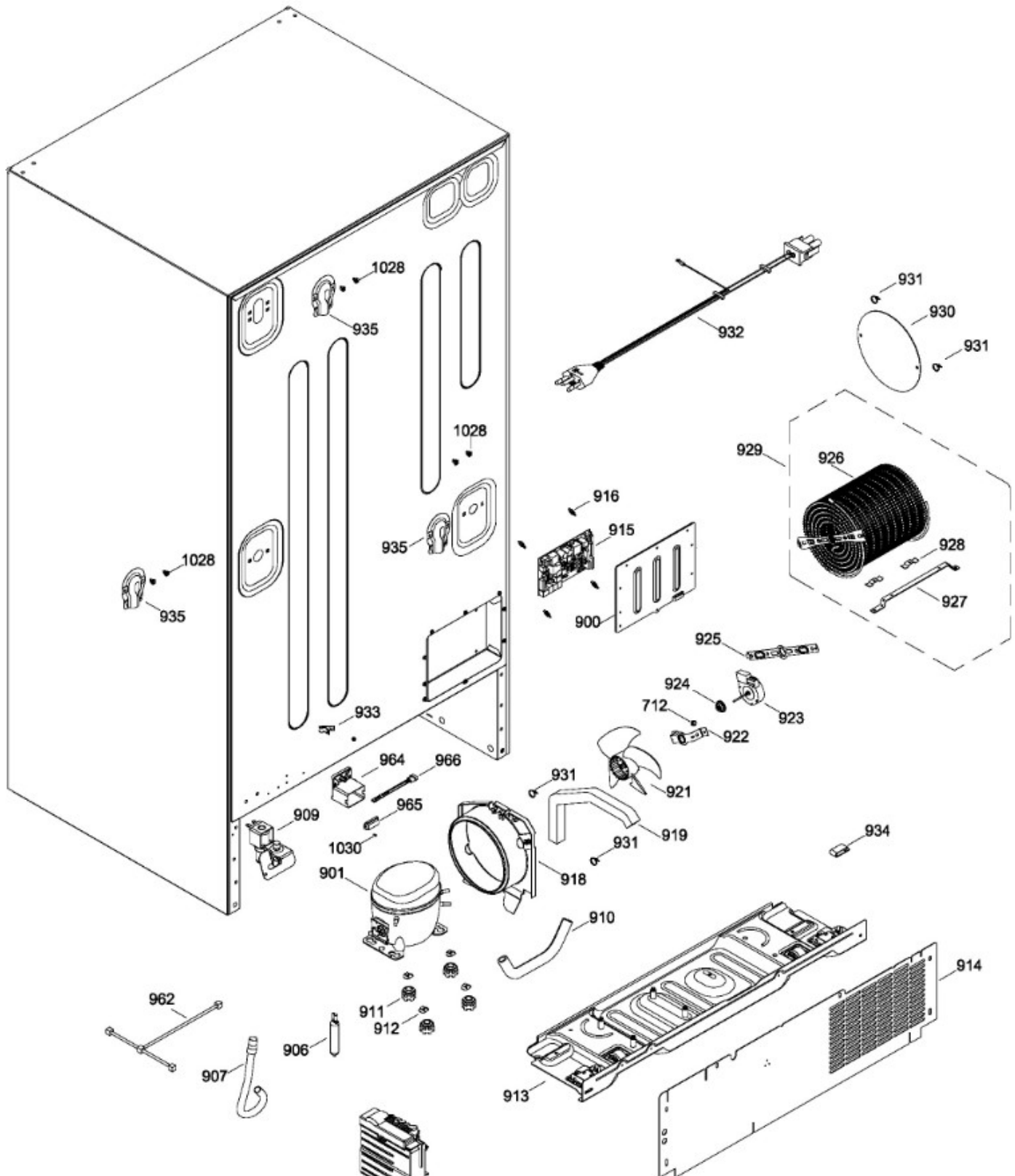
SurteRápido.com

Venta de Refacciones
Electrodomesticas

REFRIGERADOR IOMS1RIZB SS

UNIDAD REFRIGERANTE Y TARJETA PRINCIPAL
SEALED SYSTEM AND MOTHER BOARD

IOMS1RIZB SS



Distribuidor Autorizado

SurteRápido.com

Venta de Refacciones
Electrodomesticas

REFRIGERADOR IOMS1RIZB SS

| Guía | Refacción | Descripción |
|------|------------|----------------------------------|
| 1 | WR01L01671 | ENS. PUERTA CURVA ESPUMADA CONG. |
| 2 | WR01F00845 | ENGRANE PIÑÓN |
| 6 | WR01L02088 | SELLO PUERTA |
| 7 | WR01L00004 | HANDLE ASM |
| 8 | WR01A00252 | TORNILLO JALADERA |
| 18 | WR01L00165 | BASKET LOWER SD |
| 25 | WR01A00124 | SOPORTE |
| 31 | WR01L00937 | BARRA TRANSVERSAL PIÑÓN |
| 54 | WR01L04417 | SLIDE LOWER ASM 21 |
| 54 | WR01A01822 | SLIDE LOWER ASM 21 |
| 55 | WR01F00709 | DIVISOR CANASTO INF. |
| 68 | WR01A00119 | SOPORTE CORREDERA INF. |
| 69 | WR01A00121 | SOPORTE CORREDERA INF. |
| 82 | WR01F00844 | PINON POST. |
| 83 | WR01A00928 | REFUERZO |
| 101 | WR01L01454 | ENS. PUERTA CURVA ESPUMADA REFR. |
| 102 | WR01L02134 | SELLO PUERTA FRANCESA |
| 103 | WR01A00375 | PLACA EMB.LOGO IO MABE |
| 106 | WR01A00991 | THIMBLE DOOR FF |
| 107 | WR01L02892 | MODULO ANAQUEL REFR. FIJO |
| 108 | WR01A00161 | AMORTIGUADOR PUERTA FRANCESA |
| 110 | WR01L02872 | ENS. ANAQUEL REFR. |
| 113 | WR01L01271 | PUERTA LACTEOS |
| 114 | WR01L04473 | TAPON ENCHUFE |
| 125 | WR01L00665 | MANTEQUILLERO |
| 128 | WR01L04421 | SEPARADOR BOTELLAS |
| 135 | WR01L00498 | CAM FF CLOSURE LH |
| 136 | WR01A00235 | TOPE PUERTA |
| 151 | WR01L01485 | PUERTA CONSERVADOR DERECHA(ACE |
| 152 | WR01L00508 | CAM FF CLOSURE RH |
| 153 | WR01A00020 | ENS. MANGUETE VERTICAL |
| 154 | WR01F00121 | ANAQUEL DE BEBIDAS |
| 156 | WR01A00524 | ENCHUFE MANGUETE |
| 157 | WR01A00199 | CLIP BISAGRA MANGUETE |
| 201 | WR01L06229 | ENS. ANAQUEL DESLIZABLE |

Distribuidor Autorizado

SurteRápido.com

Venta de Refacciones
Electrodomesticas

REFRIGERADOR IOMS1RIZB SS

| Guía | Refacción | Descripción |
|------|------------|--------------------------|
| 204 | WR01L06213 | ENS. MARCO CAJON CARNE |
| 205 | WR01L00449 | ENS. CAJON VEG. |
| 206 | WR01L06214 | ENS. MARCO CAJON VEG. |
| 207 | WR01F00500 | CONTROL DESLIZANTE |
| 208 | WR01L00439 | ENS. CAJON VEG. |
| 209 | WR01L03046 | PAN MEAT FULL WIDTH ASM |
| 211 | WR01A00767 | SLIDE & BRACKET ASM |
| 212 | WR01A00766 | SLIDE & BRACKET ASM |
| 213 | WR01A00897 | ENS. SEP. RIEL |
| 218 | WR01F01936 | RUEDA CORREDIZA |
| 227 | WR01L08916 | TAPA CONTROL HUMEDAD |
| 228 | WR01F00720 | DIVISOR DEL CAJON CARNES |
| 229 | WR01F00501 | CONTROL DESLIZANTE |
| 235 | WR01L04397 | SOPORTE LATERAL |
| 236 | WR01L04396 | SOPORTE LATERAL |
| 304 | WR01L04427 | BARRA SOPORTE |
| 307 | WR01A00566 | SOPORTE RIEL CONG. INF. |
| 308 | WR01A00570 | SOPORTE RIEL CONG. INF. |
| 342 | WR01L00188 | BASKET UPPER FZ |
| 346 | WR01L02353 | HANDLE BASKET FZ HALF |
| 350 | WR01A00792 | ENS. RIEL SUP. |
| 351 | WR01A00791 | ENS. RIEL SUP. |
| 353 | WR01F00712 | DIVIDER GUIDE RAIL |
| 354 | WR01A00043 | SOPORTE VIGA |
| 355 | WR01L08914 | CHAROLA PARA HIELOS |
| 362 | WR01L00176 | CANASTA PARA PIZZA |
| 362 | WR01L00177 | CANASTA PARA PIZZA |
| 363 | WR01L01917 | DOOR TRAP |
| 364 | WR01A00246 | ESPACIADOR |
| 365 | WR01F00135 | PERILLA CIERRE |
| 366 | WR01A00580 | REMACHE |
| 428 | WR01F00849 | SELLO GOMA |
| 503 | WR01L01087 | ESQUINERO GABINETE |
| 505 | WR01F01535 | LAMPARA 60W 120V |
| 507 | WR01A01054 | TORNILLO MOVIL |
| 508 | WR01A01053 | TORNILLO MOVIL |

Distribuidor Autorizado

SurteRápido.com

Venta de Refacciones
Electrodomesticas

REFRIGERADOR IOMS1RIZB SS

| Guía | Refacción | Descripción |
|------|--------------|---------------------------------|
| 509 | WR01F00796 | ENS. FILTRO Y TUBO |
| 509 | WR01F04718 | ENS. FILTRO Y TUBO |
| 510 | WR01A00958 | TOPE SUP. MANGUETE |
| 511 | WR01F00807 | FILTRO DE AGUA |
| 511 | WR01A01876 | FILTRO DE AGUA |
| 512 | WR01L00923 | CUBIERTA FILTRO AGUA |
| 514 | WR01F00626 | REGULADOR MOTORIZADO TORRE AIR |
| 515 | WR01L02189 | SELLO TORRE DE AIRE |
| 516 | WR01L02119 | GASKET FF INLET |
| 521 | WR01F00752 | EPS AIR TOWER BACK |
| 522 | WR01L00720 | CUBIERTA TORRE AIRE REFR. |
| 523 | WR01A00240 | EPS AIR TOWER FF |
| 530 | WR01L02190 | SELLO TORRE DE AIRE |
| 533 | WR01L04066 | REJILLA SENSOR |
| 534 | WR01L04393 | CUBIERTA SENSOR |
| 538 | WR01L02983 | ENS. MOVIL FRONTAL |
| 542 | WR01L04209 | PROTECTOR LUZ REFR. |
| 545 | WR01L04053 | REFLECTOR LAMPARA REFR. |
| 549 | WR01F00010 | DIVISOR AIRE HS |
| 551 | WR01L04430 | INTERRUPTOR |
| 615 | WR01F00009 | DESVIADOR AIRE |
| 617 | WR01F01094 | AISLAMIENTO DE CABEZA DE FILTRO |
| 620 | WR01L02290 | SENSOR PARRILLA |
| 630 | WR01F00252 | TARJETA CONTROL DE TEMPERA |
| 631 | WR01F03760 | MEMBRANA DE CONTROL TEMP |
| 632 | WR01F01017 | CUBIERTA CAJA CONTRO |
| 633 | WR01F02520 | ENS. CONTROL USUARIO |
| 634 | WR01F00017 | ENSAMBLE TORRE DE AIRE |
| 680 | WR01A00245 | EPS VENT DUCT VERTICAL |
| 681 | WR01F00952 | HARNESS FF CTRL |
| 683 | WR01A00909 | FILTRO AGUA ESPACIADOR |
| 684 | WR01L00898 | CUBIERTA SUP. |
| 685 | 200D8094P011 | VENTANA DUCTO VERTICAL |
| 695 | 200D8100G008 | VENTANA DUCTO VERTICAL ENS |
| 705 | WR01F00095 | ASPA DE VENTILA |

Distribuidor Autorizado

SurteRápido.com

Venta de Refacciones
Electrodomesticas

REFRIGERADOR IOMS1RIZB SS

| Guía | Refacción | Descripción |
|------|------------|--------------------------------|
| 705 | WR01F04650 | ASPA DE VENTILA |
| 707 | WR01A00096 | BRACKET FAN EVAP FRONT |
| 708 | WR01A00163 | PARACHOQUES TAPA |
| 710 | WR01F01627 | ENSAMBLE MOTOR EVAP DC |
| 711 | WR01A00878 | BRACKET EVAP FAN BTM |
| 712 | WR01A00162 | BUMPER LID |
| 713 | WR01F01887 | TUBO ENSAMBLE Y EVAPOR |
| 714 | WR01L04384 | ENS. PROTECTOR CANALETA |
| 715 | WR01F00995 | ENS. CALENTADOR DESCONG. |
| 716 | WR01A00133 | BROCHE DE TERMISTOR |
| 719 | WR01L00795 | ENS. CUBIERTA VENTILADOR EVAP. |
| 720 | WR01F01775 | ENS. TERMINAL SOCKET |
| 722 | WR01L04383 | PROTECTOR LUZ CONG. |
| 723 | WR01L01102 | CUBIERTA EVAPORADOR ENSAMBLE |
| 731 | WR01L02566 | ENS. FABRICANTE HIELO |
| 731 | WR01F04517 | ENS. FABRICANTE HIELO |
| 731 | WR01F04679 | FABRICANTE DE HIELOS |
| 731 | WR01F04810 | ENS. FÁBRICA DE HIELO |
| 732 | WR01L04238 | SHELF CHILLER 21 |
| 733 | WR01L02214 | GLIDE LH |
| 734 | WR01L00748 | CUBRE TAZON HIELOS |
| 735 | WR01F01006 | ENS. RETENEDOR |
| 736 | WR01F00990 | CONDUCTOR DE CALOR P/ DESHIELO |
| 737 | WR01F00991 | ALAMBRE CALEFACTOR |
| 738 | WR01F00874 | GROMMET EVAP FAN |
| 740 | WR01F00858 | ENS. TUBO & TAPON |
| 753 | WR01L01185 | TAZA LLENADO FABRICA HIELOS |
| 819 | WR01A01065 | RONDANA RETENEDORA |
| 871 | WR01F01860 | BASTIDOR LATERAL REFR. |
| 872 | WR01F01856 | ENS. RIEL CENTRAL |
| 873 | WR01A00908 | SEPARADOR RIEL |
| 874 | WR01A00582 | RESORTE CIERRE PUERTA |
| 875 | WR01A00465 | PERNO BISAGRA AJUSTABLE |
| 878 | WR01L00957 | CUBRE BISAGRA SUP. DER. |
| 879 | WR01L02482 | ENS. BISAGRA CIERRE |



REFRIGERADOR IOMS1RIZB SS

| Guía | Refacción | Descripción |
|------|------------|--------------------------------|
| 880 | WR01A00109 | ENS. PIERNA SOPORTE |
| 881 | WR01A00718 | TORNILLO NIVELADOR |
| 882 | WR01L00958 | CUBRE BISAGRA SUP. IZQ. |
| 883 | WR01L02481 | ENS. BISAGRA CIERRE |
| 884 | WR01L00597 | ENS. BISAGRA COMPLETA |
| 885 | WR01L00606 | ENS. BISAGRA CENTRAL |
| 886 | WR01L00841 | CUBRE BISAGRA |
| 887 | WR01L02285 | CUBIERTA BASE PARRILLA |
| 900 | WR01L01043 | ENS. CUBIERTA TARJETA |
| 901 | WR01F01522 | INVERTER COMPRESSOR EMBRA |
| 901 | WR01F01523 | INVERTER COMPRESSOR EMBRA |
| 901 | WR03F04774 | COMPRESOR INVERTER |
| 906 | WR01L01927 | FILTRO DESHIDRATADOR |
| 907 | WR01F01884 | TUBO DESHIELO |
| 909 | WR01F01743 | VALVULA DE AGUA SENCILLA ENS |
| 910 | WR01F01091 | AISLAMIENTO TUBO DE SUCCION |
| 911 | WR01F00846 | ARANDELA COMPRESOR |
| 911 | WR01L13035 | ARANDELA COMPRESOR |
| 912 | WR01A00191 | CLIP COMPRESOR |
| 913 | WR01L00131 | ENS. PLACA BASE MONTAJE RUEDAS |
| 914 | WR01L00714 | CUBIERTA ACCESO |
| 914 | WR01L00019 | CUBIERTA ACCESO |
| 914 | WR01L00019 | TAPA ACCESO |
| 914 | WR01L00019 | TAPA ACCESO |
| 914 | WR01L00019 | TAPA ACCESO |
| 915 | WR01F00288 | TARJETA CONTROL PRINCIPAL |
| 916 | WR01A00223 | SEPARADOR AISLANTE |
| 918 | WR01L04391 | CUBIERTA CONDENSADOR |
| 919 | WR01A00178 | FOAM STRIP SE ADH |
| 921 | WR01F00097 | ASPA DE VENTILADOR |
| 922 | WR01A00069 | SOPORTE VENTILADOR DELANTERO |
| 922 | WR01A02394 | SOPORTE VENTILADOR DELANTERO |
| 923 | WR01F01616 | MOTOR CONDENSADOR |
| 923 | WR02F04237 | MOTOR CONDENSADOR |
| 924 | WR01A00579 | REFUERZO EVAPORADOR/VE |

Distribuidor Autorizado

SurteRápido.com

Venta de Refacciones
Electrodomesticas

REFRIGERADOR IOMS1RIZB SS

| Guía | Refacción | Descripción |
|------|------------|-----------------------------|
| 925 | WR01A00886 | SOPORTE VENTILADOR POST. |
| 926 | WR01F01795 | SOPORTE-CONDENSADOR ENS |
| 927 | WR01A00072 | SOPORTE CONDENSADOR |
| 928 | WR01A00208 | CLIP CONDENSADOR |
| 929 | WR01F00420 | CONDENSER, MTG ASM (EMB) |
| 930 | WR01F00113 | BAFFLE COND AIR |
| 931 | WR01A01080 | LLANTA ALAMBRE |
| 932 | WR01F00049 | ARNES INFERIOR DEL GABINETE |
| 933 | WR01A00384 | MORDAZA CABLE |
| 934 | WR01A00184 | TUBO ABRAZADERA |
| 935 | WR01L01141 | CUBIERTA LINEA DE AGUA |
| 943 | WR01F01521 | INVERTIDOR EMB ENSAMBLE |
| 943 | WR01F02557 | INVERTIDOR EMB ENSAMBLE |
| 943 | WR01F04233 | INVERSOR ENSAMBLE |
| 943 | WR01F04234 | INVERSOR ENSAMBLE |
| 962 | WR01F00958 | ARNES TIERRA ELECTRICA |
| 962 | WR03F04644 | ARNES TIERRA ELECTRICA |
| 964 | WR01F01027 | CARCAZA SENSOR HUMEDAD |
| 965 | WR01F01731 | SENSOR DE HUMEDAD |
| 966 | WR01F00900 | ADAPTADOR ARNES SENSOR |
| 1007 | WR01A00968 | SOPORTE ANAQUEL |
| 1026 | WR01A00620 | RIEL ESPACIADOR FRONTAL |
| 1027 | WR01A00622 | RIEL ESPACIADOR FRONTAL |
| 1028 | WR01F00875 | GROMMET P/TORNILLO |
| 1029 | WR01A00974 | SUPPORT VEG PAN ASM |
| 1030 | WR01A00708 | TORNILLO |
| 1072 | WR01A00269 | TORNILLO |