

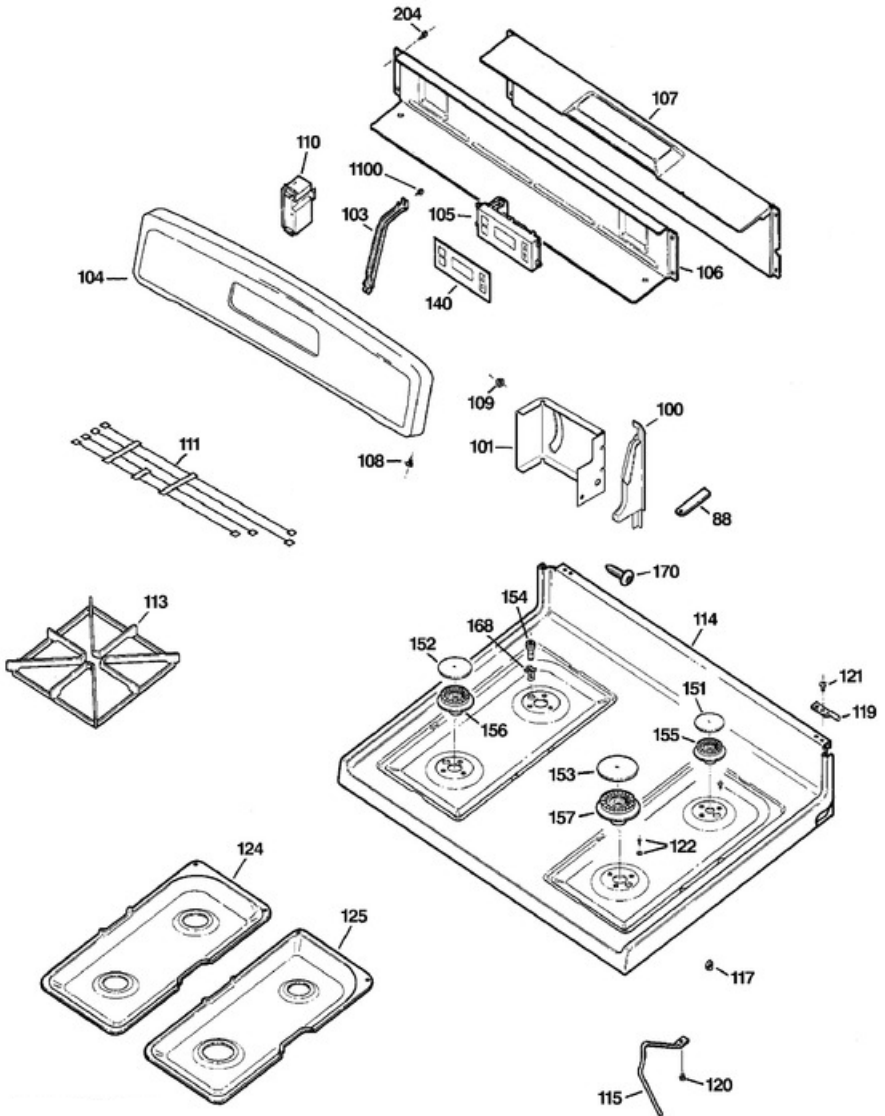


JGBS23DEM1BB GABINETE

43	WB20K10015	TEMPERATURE SENSOR (S/P)
92	WB1X1261	SCREW GROUND QTY: 2 (S/P)
200	WB48K5019	RACK OVEN QTY: 2 (S/P)
201	WB48X10056	RACK BROILER PAN (S/P)
202	WB48K10017	PAN BROILER (S/P)
203	WB18K10036	LINE CORD DESCONTINUADO
204	WB1K42	SCREW (BLK) QTY: 138 (S/P)
204	WZ4X345	SCREW 8-18X5/8 HXW QTY: 18 (S/P)
205	WB34K21	COVER BACK PANEL (S/P)
206	WB1K21	SCREW QTY: 30 (S/P)
207	WB2K36	CLAMP CABLE (S/P)
208	WB63K21	RANGE BACK (S/P)
209	WB63K10119	PANEL SIDE BK QTY: 2 (S/P)
209	WB63K10122	PANEL SIDE (S/P)
209	WB63K10124	PANEL SIDE (S/P)
210	WB35K10035	BOTTOM OVEN ASM (S/P)
211	WB1K5	BOTTOM OVEN SCREW QTY: 2 (S/P)
212	WB1K2	SPEEDNUT QTY: 2 (S/P)
213	WB1K3	NUT SPEED QTY: 2 (S/P)
220	WB2K8	GROMMET QTY: 2 (S/P)
222	WB10K12	HINGE ASM GUIDE QTY: 2 (S/P)
223	WB2X6195	PIN HINGE DOOR QTY: 2 (S/P)
224	WB2X1082	RING RETAINING QTY: 2 (S/P)
225	WB34K2	SHIELD VALVE (S/P)
226	WB2K11	HOOK DOOR SPRING QTY: 2 (S/P)
227	WB9K1	SPRING DOOR QTY: 2 (S/P)
228	WB2X7066	CLIP WIRE DESCONTINUADO
229	WB8K1	HOUSING RECEPTACLE (S/P)
230	WB08T10004	PUSH-IN RECEPTICLE (S/P)
231	WB2K12	ARM ANTI TIP (S/P)
231	WB2K20	BRACKET ASM ANTI-TIP (S/P)
234	WB2K66	GUIDE SUPPORT RGTP QTY: 2 (S/P)
235	8009	OVEN LAMP (REPLACES: STD372401) (S/P)

236	WB2K22	CLIP WIRE (S/P)
239	WB63K10030	PANEL REAR BROIL (S/P)
240	WB63K2	PANEL SIDE BROIL RT (S/P)
240	WB63K3	PANEL SIDE BROIL LFT (S/P)
241	WB63K10029	BOTTOM RANGE (S/P)
242	WB63K5	BRACE BOTTOM QTY: 2 (S/P)
243	WB63K10027	BASE SUPPORT RT (S/P)
243	WB63K10028	BASE SUPPORT LF (S/P)
245	WB2X10521	LEG LEVELER QTY: 4 (S/P)
246	WB63K10121	FRAME WELD ASM (S/P)
247	WB53K10002	OVEN TOP (S/P)
248	WB53K2	OVEN SIDE RIGHT (S/P)
249	WB53K3	OVEN SIDE LEFT (S/P)
250	WB53K21	OVEN BACK DESCONTINUADO
251	WB2K3	ANGLE SUPPORT QTY: 2 (S/P)
253	WB2K4	COVER ACCESS SPRING QTY: 2 (S/P)
254	WB1K53	SCREW MTG HINGE (TORX) QTY: 2 (S/P)
254	WB10K10009	SUPPORT ASM RIVET (S/P)
254	WB10K10010	SUPPORT ASM RIVET (S/P)
255	WB2K5	BROILER STOP QTY: 2 (S/P)
256	WB32K1	GASKET VENT (S/P)
257	WB38K10001	VENT ASM (S/P)
258	WB38K2	BRACE VENT (S/P)
259	WB39K1	SLIDE RANGE BOTTOM RIGHT (S/P)
259	WB39K2	SLIDE RANGE BOTTOM LEFT (S/P)
260	WB32K2	GASKET OVEN SEAL LG (S/P)
261	WB35K1	INSULATION OVEN WRAP (S/P)
262	WB35K16	INSULATION OVEN BACK (S/P)
288	WB63K15	BRACE BOTTOM (S/P)
1000	WB4K10021	TRIM FRONT FRAME (S/P)

JGBS23DEM1BB CUBIERTA





JGBS23DEM1BB CUBIERTA

88	WB2K62	PAD FELT (2") (S/P)
88	WB2K10098	PAD (S/P)
88	WB2K10099	PAD QTY: 2 (S/P)
100	WB7K10260	END SUPPORT RT (S/P)
100	WB7K10261	END SUPPORT LF (S/P)
100	WB7K10265	END SUPPORT RT (S/P)
100	WB7K10266	END SUPPORT LF (S/P)
100	WB7K10270	END SUPPORT RT (S/P)
100	WB7K10271	END SUPPORT LF (S/P)
101	WB37K10003	BRACKET COOK TOP RG (S/P)
101	WB37K10004	BRACKET COOK TOP LF (S/P)
103	WB2K10155	BRACKET CONTROL QTY: 2 (S/P)
104	WB36K10651	TRIM CONTROL (S/P)
104	WB36K10653	TRIM CONTROL (S/P)
104	WB36K10672	TRIM CONTROL (S/P)
105	WB27K10243	CONTROL T09 (S/P)
106	WB34K10093	COVER BACK UPPER (S/P)
107	WB34K10094	COVER BACK LOWER (S/P)
108	WB1K10018	SCREW 8-18 (BSQT) (S/P)
108	WB1X5364	SCREW (CR) QTY: 6 (S/P)
109	WB1X5743D	SPEEDNUT QTY: 2 (REPLACES: WB1X5743) (S/P)
110	WB13K10018	SPARK MODULE 4+0 (S/P)
110	WB18K10042	HARNESS MODULE (S/P)
111	WB18K10039	HARNESS HV (S/P)
113	WB31K10032	GRATE (TAUPE) (S/P)
113	WB31K10033	GRATE (BLK) QTY: 4 (S/P)
113	WB31K10035	GRATE (GRAY) (S/P)
114	WB62K10044	COOKTOP (BSQT) (S/P)
114	WB62K10048	COOKTOP (WH) (S/P)
114	WB62K10051	COOKTOP BK (S/P)
115	WB2K91	SUPPORT RANGETOP QTY: 2 (S/P)
117	WB2K17	PIN LOCATOR QTY: 2 (S/P)
119	WB14K5	PIN HINGE QTY: 2 (S/P)
120	WB1K45	SCREW WASHER ASM QTY: 2 (S/P)
121	WB1K5119	SCREW QTY: 4 (REPLACES: WB1K1) (S/P)

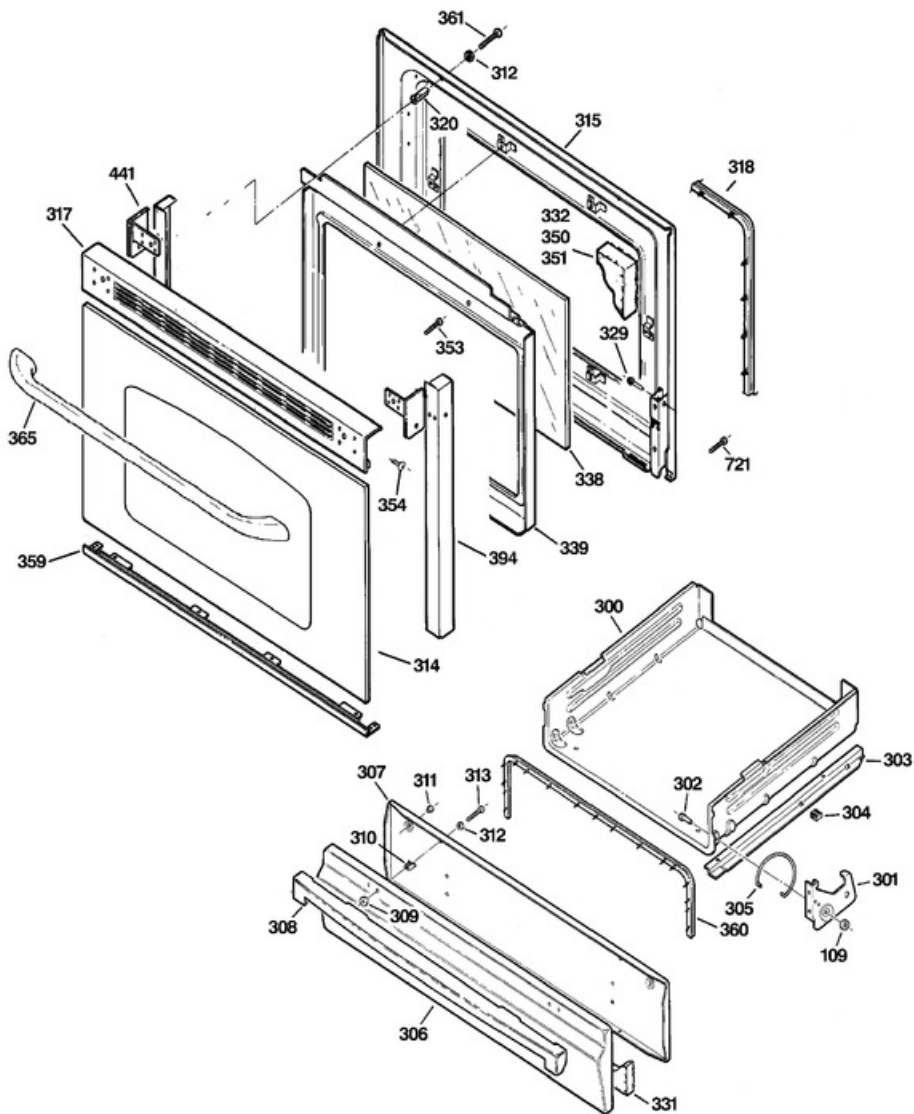
122	WB1K10008	SCREW CKTP QTY: 12 (S/P)
124	WB34K10010	PAN UNIT-LEFT (BLK) (S/P)
124	WB34K10014	PAN UNIT-LEFT (GRAY) (S/P)
124	WB34K10016	PAN UNIT-LEFT (TAUPE) (S/P)
125	WB34K10009	PAN UNIT-RIGHT (BLK) (S/P)
125	WB34K10013	PAN UNIT-RIGHT (GRAY) (S/P)
125	WB34K10015	PAN UNIT-RIGHT (TAUPE) (S/P)
140	WB27K10255	OVERLAY T09 (S/P)
140	WB27K10256	OVERLAY T09 (S/P)
140	WB27K10266	OVERLAT T09 (S/P)
151	WB29K10002	CAP-BURNER SMALL (GRAY) (S/P)
151	WB29K10003	CAP-BURNER SMALL TAUPE (S/P)
151	WB29K10009	CAP-BURNER SMALL (BLK) (S/P)
152	WB29K10001	CAP-BURNER MED (BLK) QTY: 2 (S/P)
152	WB29K10004	CAP-BURNER MED (GRAY) (S/P)
152	WB29K10005	CAP-BURNER MED TAUPE (S/P)
153	WB29K10006	CAP-BURNER LARGE (BLK) (S/P)
153	WB29K10007	CAP-BURNER LARGE (GRAY) (S/P)
153	WB29K10008	CAP-BURNER LARGE TAUPE (S/P)
154	WB13K10014	ELECTRODE TOP QTY: 4 (S/P)
155	WB16K10070	BURNER-SMALL (REPLACES: WB16K10024) (S/P)
156	WB16K10055	BURNER MEDIUM (9500) QTY: 2 (S/P)
157	WB16T10046	BURNER-LARGE 12K (S/P)
168	WB1K10007	CLIP-ELECTRODE QTY: 5 (S/P)
170	WB1X5716	SCREW (BLK) QTY: 2 (S/P)
170	WB1K10004	SCREW WH (REPLACES: WB1X5874) (S/P)
204	WB1K42	SCREW (BLK) QTY: 138 (S/P)
204	WZ4X345	SCREW 8-18X5/8 HXW QTY: 18 (S/P)
1100	WB1T10016	SCR 8-18 AB HXW 5/8 S QTY: 2 (S/P)

Distribuidor Autorizado

SurteRápido.com

Venta de Refacciones
Electrodomesticas

JGBS23DEM1BB PUERTA





JGBS23DEM1BB PUERTA

109	WB1X5743D	SPEEDNUT QTY: 2 (REPLACES: WB1X5743) (S/P)
300	WB39K6	BROILER WELD ASM (S/P)
301	WB10K5	HINGE BROILER RIGHT (S/P)
301	WB10K6	HINGE BROILER LEFT (S/P)
302	WB1K7	PIN BROILER CR QTY: 2 (S/P)
303	WB39K10029	SLIDE BROILER PAN RT (S/P)
303	WB39K10030	SLIDE BROILER PAN LF (S/P)
304	WB39K9	SLIDE BROILER QTY: 4 (S/P)
305	WB9K2	SPRING BROILER RIGHT (S/P)
305	WB9K3	SPRING BROILER LEFT (S/P)
306	WB39K3	PANEL DRAWER WHITE (S/P)
306	WB39K10	PANEL DRAWER BLK (S/P)
306	WB55K10010	PANEL DRAWER BSQT (S/P)
307	WB39K10028	LINER DRAWER (S/P)
308	WB15K10008	HANDLE-BROILER (WH) (S/P)
308	WB15K10013	HANDLE-BROILER (BLK) (S/P)
308	WB15K10029	HANDLE - BROIL (BSQT) (S/P)
309	WB1X560D	FIBER WASHER QTY: 4 (REPLACES: WB1X560) (S/P)
310	WB2K14	SPACER QTY: 2 (S/P)
311	WB2K15	BUMPER, BLACK QTY: 2 (S/P)
312	WB1X119D	WASHER CONTOURED QTY: 4 (S/P)
313	WB1X5731D	SCREW 10-16 PL PNT 2.5 S QTY: 2 (S/P)
314	WB57K10109	GLASS OVEN DOOR (BK) (S/P)
314	WB57K10110	GLASS OVEN DOOR (S/P)
314	WB57K10112	GLASS OVEN DOOR (S/P)
315	WB55K10037	LINER ASM WELD DOOR (S/P)
317	WB7K400	TRIM TOP DOOR (WH) (S/P)
317	WB7K403	TRIM VENT ASM DOOR BLK (S/P)
317	WB36K10212	TRIM TOP DOOR (BSQT) (S/P)
318	WB32K10036	GASKET DOOR ASM (S/P)
320	WB2K10161	SPACER QTY: 2 (S/P)
329	WB1X558D	SCREW NAIL POINT QTY: 2 (S/P)
331	WB35K3	INSULATION DRAWER (S/P)

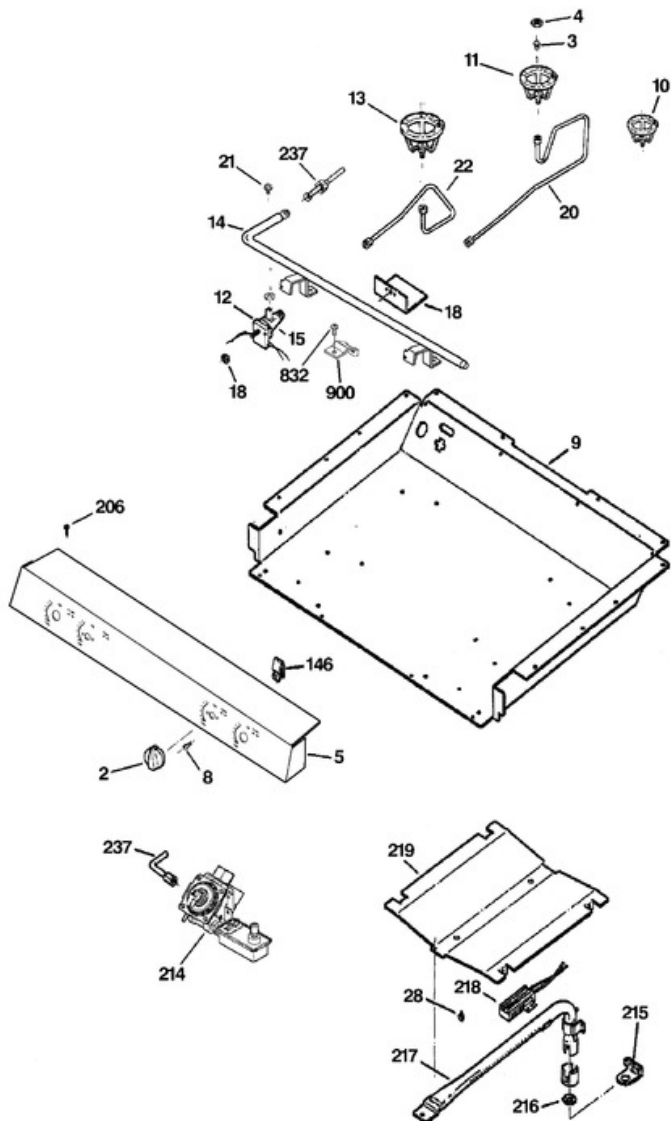
332	WB35K11	SIDE INSULATION DOOR QTY: 2 (S/P)
338	WB56K14	CRYSTAL WINDOW (S/P)
339	WB56K10033	GUARD INSULATION (S/P)
350	WB35K13	BOTTOM INSULATION DOOR DESCONTINUADO
351	WB35K14	INSULATION TOP DOOR (S/P)
353	WB1K67	SCREW 7-19 QTY: 4 (REPLACES: WB1K70) (S/P)
354	WB1K62	SCREW MTG END CAP (BK) QTY: 2 (S/P)
354	WB1K66	SCREW MTG END CAP (WH) DESCONTINUADO
354	WB01K10024	SCREW MTG END CAP (BSQT) (S/P)
359	WB07K10232	TRIM BOTTOM ASM (S/P)
359	WB07K10250	TRIM BOTTOM ASM (S/P)
359	WB07K10269	TRIM BOTTOM ASM (S/P)
360	WB04K10023	GASKET DRAWER ASM (S/P)
361	WB1K63	SCREW 10-16 PL DWR 2.5 S QTY: 2 (S/P)
361	WB01K10073	SCR 10-16PL PNT 2.22S QTY: 2 (S/P)
365	WB15T10161	HANDLE (BK) (S/P)
365	WB15T10162	HANDLE (WH) (S/P)
365	WB15T10164	HANDLE (BQ) (S/P)
394	WB07K10248	TRIM POST LF (S/P)
394	WB07K10249	TRIM POST RT (S/P)
394	WB07K10253	TRIM POST LF WH (S/P)
394	WB07K10254	TRIM POST RT WH (S/P)
394	WB07K10272	TRIM POST LF (S/P)
394	WB07K10273	TRIM POST RT (S/P)
441	WB07K10128	CAP END DOOR RT (BSQT) (S/P)
441	WB07K10129	CAP END DOOR LT (BSQT) (S/P)
441	WB7X7289	END CAP DOOR RT (BK) (S/P)
441	WB7X7290	END CAP DOOR LF (BK) (S/P)
441	WB7X7187	CAP END DOOR- RH (WH) (S/P)
441	WB7X7188	CAP END DOOR- LH (WH) (S/P)
721	WB1X536	SCREW - DOOR ASM (4 PER) QTY: 10 (S/P)

Distribuidor Autorizado

SurteRápido.com

Venta de Refacciones
Electrodomesticas

JGBS23DEM1BB SISTEMA DE COMBUSTION





JGBS23DEM1BB SISTEMA DE COMBUSTION

1	WB28K10175	CONVERSION KIT (S/P)
2	WB3K10218	KNOB MINIVALVE (S/P)
2	WB3K10216	KNOB MINIVALVE QTY: 4 (S/P)
2	WB3K10225	KNOB MINIVALVE (S/P)
3	WB28K10023	ORIFICE-LP MED LF 11000 QTY: 2 (S/P)
3	WB28K10031	ORIFICE-LP SM RR 5000 (S/P)
3	WB28K10032	ORIFICE-LP LG LR 9500 (S/P)
4	WB1K10037	ECONOMIC NUT QTY: 4 (S/P)
5	WB36K10668	MANIFOLD PANEL (S/P)
5	WB36K10673	MANIFOLD PANEL (S/P)
5	WB36K10674	MANIFOLD PANEL (S/P)
8	WB1K10002	SCREW 8-32 QTY: 4 (S/P)
9	WB63K24	BOX BURNER SP (S/P)
10	WB2K10079	CKT BRACKET SM (S/P)
11	WB2K10078	CKT BRACKET MID QTY: 2 (S/P)
12	WB24K10042	ROTARY SWITCH QTY: 4 (S/P)
12	WB24K10037	BURNER BOX HARNESS SWITC (S/P)
13	WB2K10080	CKT BRACKET LG (S/P)
14	WB28K10457	MANIFOLD PIPE (S/P)
15	WB21K10101	VALVE BURNER 270 5000 (S/P)
15	WB21K10099	VALVE BURNER 270 11000 (S/P)
15	WB21K10100	VALVE BURNER 270 9500 QTY: 2 (S/P)
18	WB2K24	COVER VALVE QTY: 4 (S/P)
20	WB28K10188	REAR ORIF.150N9500 LF NG (S/P)
20	WB28K10187	REAR ORIFICE HOLDER R NG (S/P)
21	WB1K10071	SCREW THERMOSTAT QTY: 4 (S/P)
22	WB28K10189	FRONT ORIF H RIGHT NG (S/P)
22	WB28K10190	FRONT ORIF 150N 9500 NG (S/P)
28	WB1X1293	SCREW MTG IGNITER QTY: 2 (S/P)
146	WB2K52	CLIP RANGETOP QTY: 2 (S/P)
206	WB1K21	SCREW QTY: 30 (S/P)
214	WB19K10009	SINGLE COMBI ASM (S/P)
214	WB19K10009	SINGLE COMBI ASM (S/P)

215	WB2K65	BRACKET SAFETY VALVE (S/P)
216	WB1K6	NUT LOCK (S/P)
217	WB16K10065	BURNER BAKE ASSY (S/P)
218	WB13K21	IGNITER-OVEN BAKE (S/P)
219	WB49K44	FLAME SPREADER (S/P)
237	WB28K10478	TUBE MANIFOLD SUPPLY ASM (S/P)
237	WB28K10109	TUBE MANIFOLD SUPPLY (S/P)
832	WB1K10043	SCREW QTY: 2 (S/P)
900	WB2K10147	SUPPORT VALVE QTY: 4 (S/P)