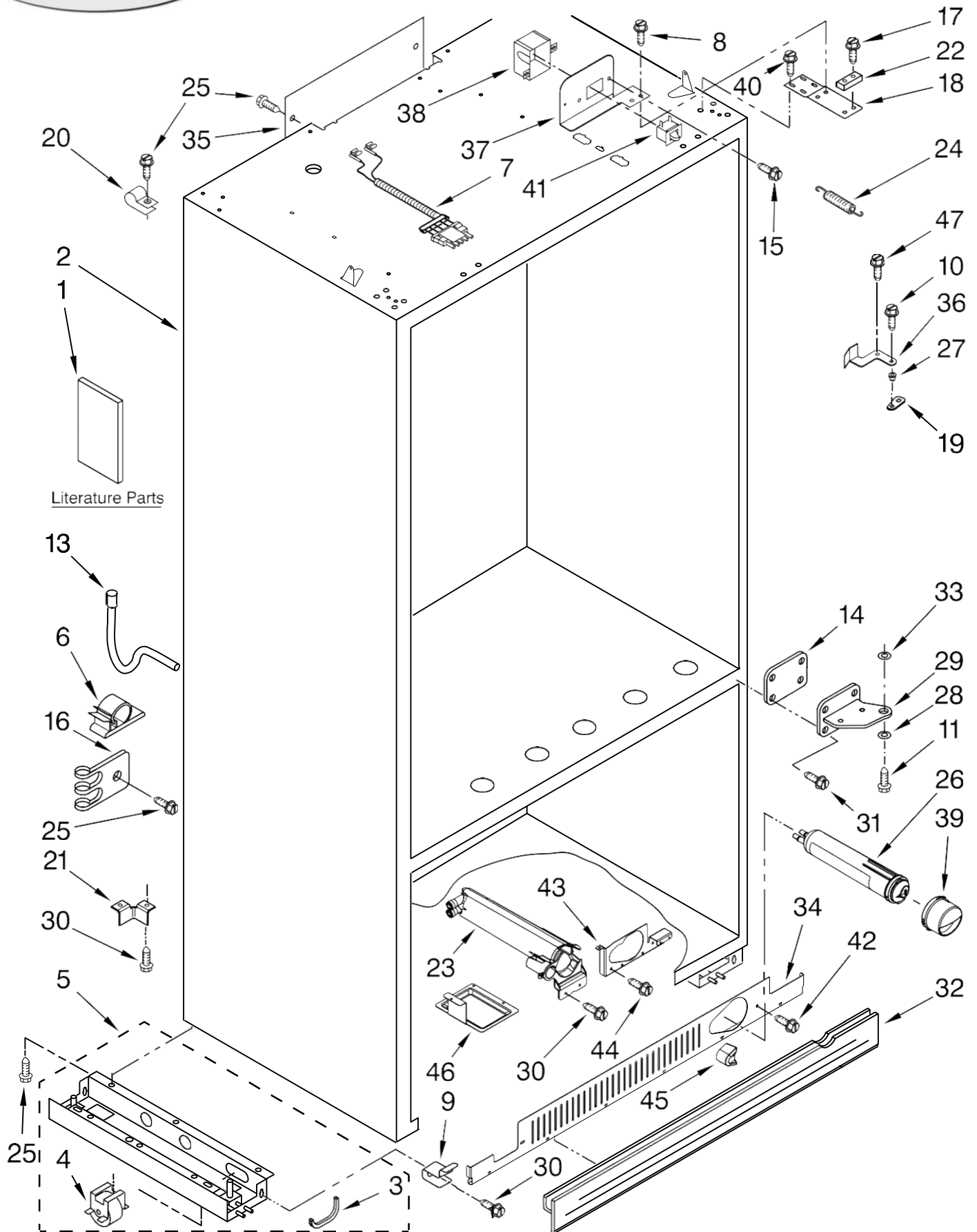


Distribuidor Autorizado

SurteRápido.com

Venta de Refacciones  
Electrodomesticas

# REFRIGERADOR KBFC42FTS04

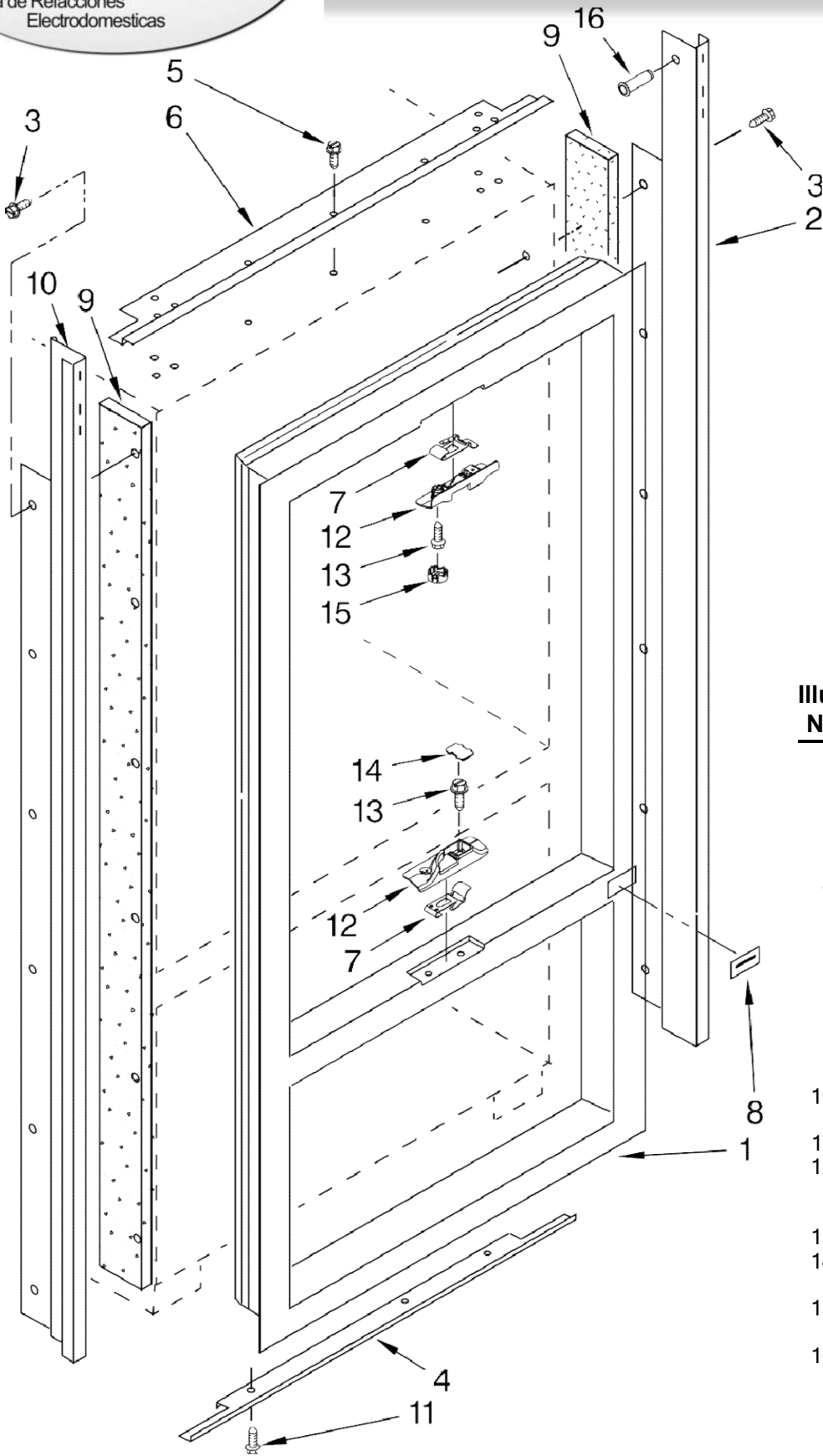




# REFRIGERADOR KBFC42FTS04

Illus. No.	Part No.	DESCRIPTION	Illus. No.	Part No.	DESCRIPTION	Illus. No.	Part No.	DESCRIPTION
1		Literature Parts	8	8281164	Screw 8-32 x 3/8	29	W10337505	Hinge, Center Refrigerator Door
	W10303987	Use & Care Guide	9	2307640	Mounting Bracket, Grille	30	W10001250	Screw 8-18 x 1/2
	W10205809	Energy Guide	10	W10004850	Screw 10-32 x .564	31	W10162602	Screw 10-32 x 5/8
	W10159834	Service & Wiring Sheet	11	488234	Screw 8-32 x 1/4	32	2209025B	Skirt, Grille (Bottom)
	2317849	Main Control Service Sheet	13	2314064	Tube, Drain	33	2314023	Bushing, Hinge
	2317840	Modular Ice maker Service Sheet	14	2207470	Shim, Hinge	34	2325188B	Grille Base, Front
	W10379132	Installation Instructions	15	487415	Screw 8-18 x 3/8	35	W10426957	Cover-Assy, Air Duct
2		Cabinet (Not Serviced)	16	2208136	Clip, Water Tube	36		Arm, Extension
3	2307584	Grommet, Crossover Tube (Left Side Only)	17	W10005070	Screw 8-32 x 1/2		2266882	Right
4	W10138054	Roller, Front & Rear	18	2316759	Hinge, Door Refrigerator Top		2266881	Left
5		Support, Leveler Assembly (Includes Items 3 & 4)	19	2320509	Cam-Closer, Door	37		Bracket, Switch
	W10138423	Right Side	20	W10331955	Clamp, Tube		2221097	Right
	W10279275	Left Side	21	2006617	Bracket, Support Base		2221096	Left
6	2004514	Clip, Conduit	22	2316758	Stop, Door	38	2215938	Cover, Switch
7	2187946	Wire Assembly, Light Switch	23	W10121140	Housing, Water Filter	39	2260518B	Cap, Water Filter
			24	2221242	Spring, Door Closure	40	8533913	Screw 1/4-20 x 5/8
			25	486194	Screw 8-15 x .530	41	1118894	Switch, Rocker Arm
			26	4396841	Filter, Water	42	W10005050	Screw 8-18 x 1/2
			27	2316859	Bushing-Arm, Extension	43	W10348782	Bracket, Mounting (Filter)
			28	2004994	Bushing, Hinge (Lock-Adjustable)	44	8281163	Screw 8-16 x 1/2
						45	2260503B	Button, Filter
						46	2318189	Tray, Drip Filter
						47	8533980	Screw 8-32 x .437

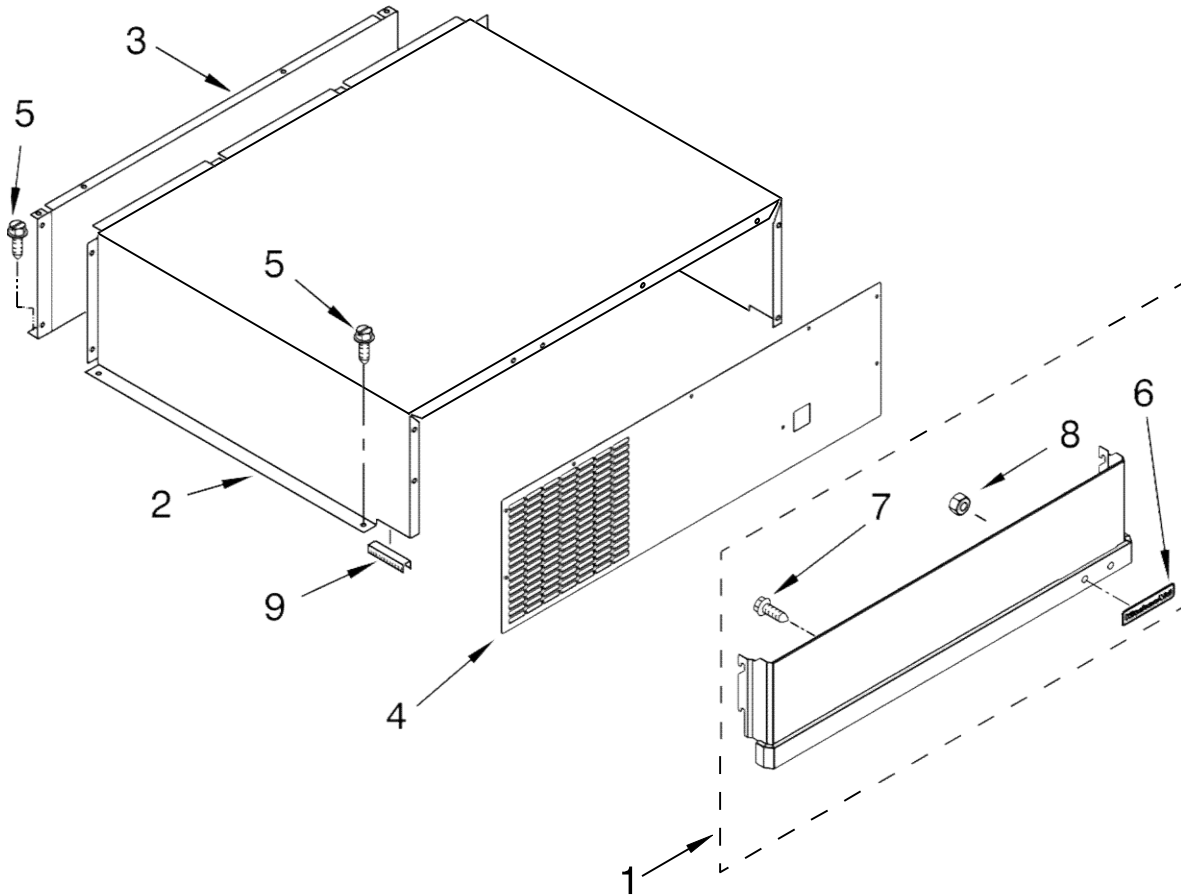
# REFRIGERADOR KBFC42FTS04



Illus. No.	Part No.	DESCRIPTION
1		Breaker, Trim (Not Serviced)
2	W10132472	Cabinet Trim, Right Side
3	1163283	Screw 8-15 x 1/2
4	2316687	Cabinet Trim, Bottom
5	486194	Screw 8-15 x .530
6	2314017	Cabinet Trim, Top
7		Cam, Mullion
	2316857	Top
	2316858	Bottom
8	2005782	Cover, Hinge
9	2005925	Seal-Trim, Side
10	W10132541	Cabinet Trim, Left Side
11	W10001250	Screw 8-18 x 1/2
12		Contact, Mullion
	2309230	Top
	2309231	Bottom
13	486194	Screw 8-15 x 1/2
14	2316899	Cover, Screw (Square)
15	2317078	Cover, Screw (Round)
16	W10121451	Insert

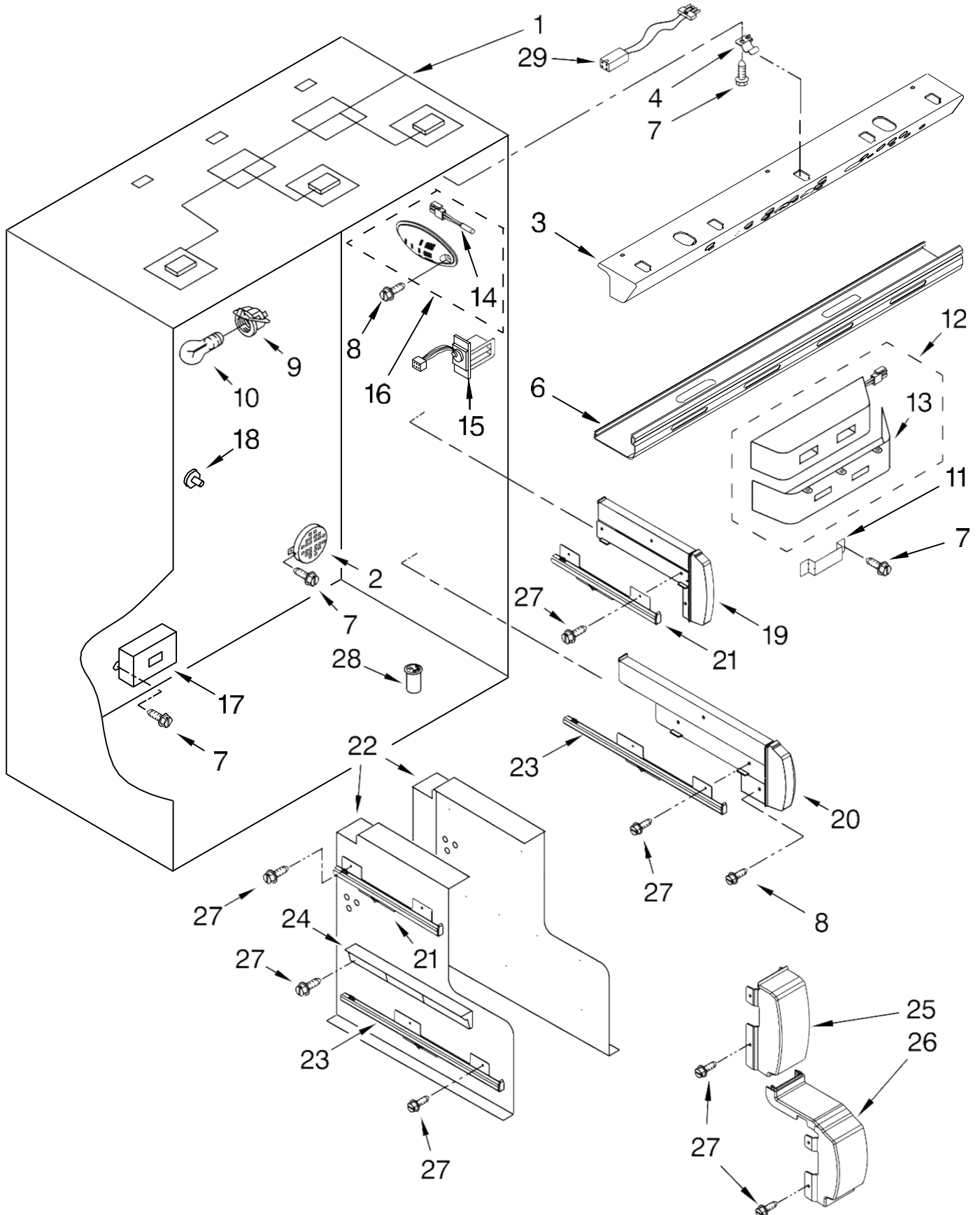
FOR ORDERING INFORMATION REFER TO PARTS PRICE LIST

# REFRIGERADOR KBFC42FTS04



Illus. No.	Part No.	DESCRIPTION
1	2316737S	Top Grille Assy (Includes Items 6, 7 & 8)
2	W10161693	Cover, Unit (Includes Item 11)
3	2256466	Back Panel
4	W10185625	Front, Unit Cover
5	1157158	Screw 8-18 x 3/8
6	2317923S	Nameplate
7	489399	Screw 8-32 x .312
8	2004333	Nut
9	2215910	Grommet

# REFRIGERADOR KBFC42FTS04

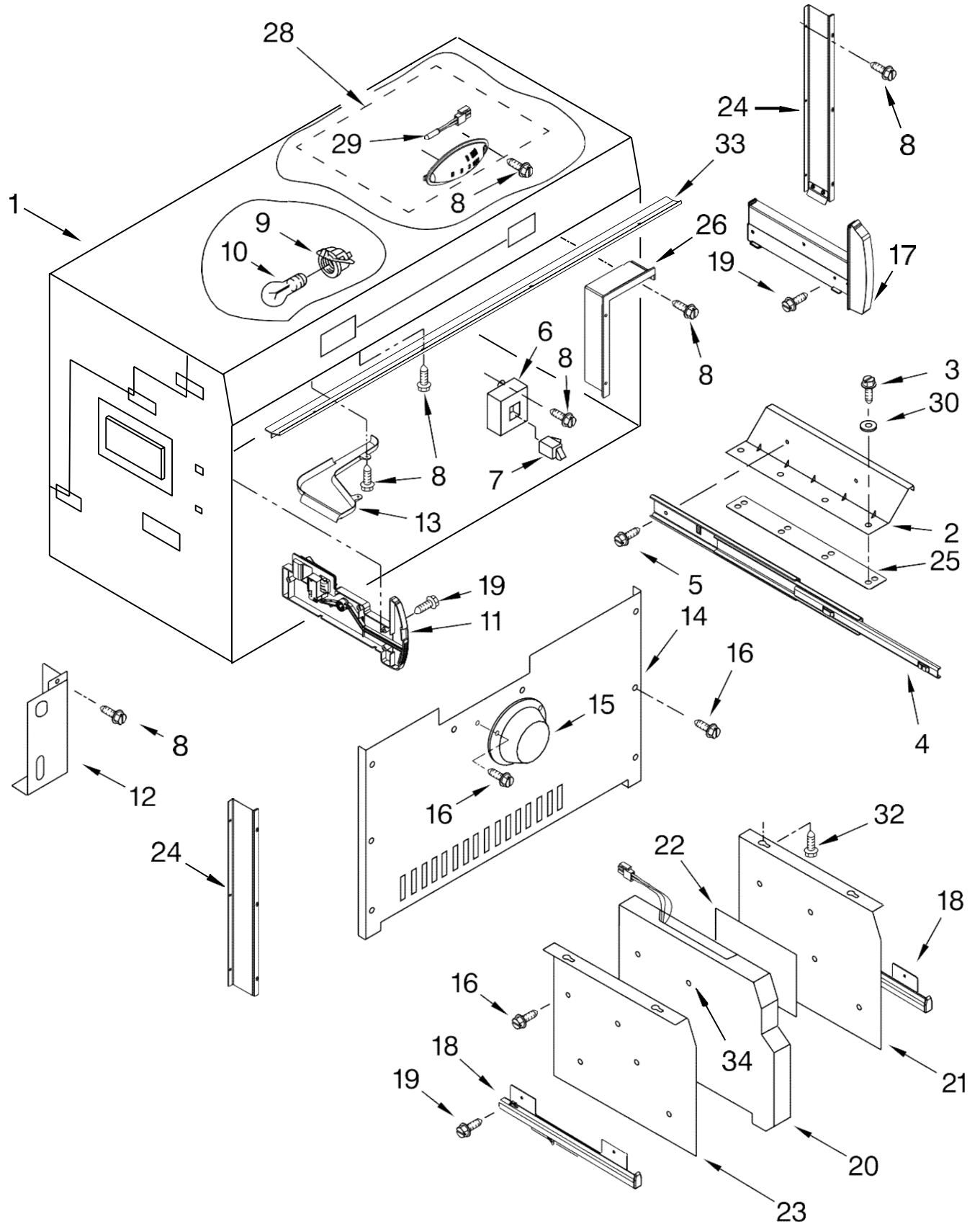




# REFRIGERADOR KBFC42FTS04

Illus. No.	Part No.	DESCRIPTION
1		Liner, Refrigerator (Not Serviced)
2	2317004	Cover, Air Return
3	2320663	Control Box
4	2317000	Clip, Control Box
6	2309248	Shield, Light
7	487539	Screw 8-15 x 1/2
8	488163	Screw 8-15 x 1.000
9	2223857	Socket, Light
10	2326255	Bulb, Light
11	2317917	Clip, Diffuser Cover
12	2320523	Diffuser Assembly (Includes Items 13 & 15)
13	2320519	Cover, Diffuser
14	2188820	Thermistor
15	2221296	Air Baffle Assy
16	2317844	Thermistor Assy
17	2268249	Diffuser, Crisper (Complete)
18	W10173127	Stud, Shelf
19		Spacer, Crisper
	2268331	Left
	2268332	Right
20		Spacer, Deli
	2306475	Left
	2306474	Right
21		Slide, Crisper Pan
	2302952	Left
	2302953	Right
22		Center Support
	2320551	Left Half
	2320550	Right Half
23		Slide, Deli Pan
	2302956	Left
	2302957	Right
24	2314054	Support, Deli Cover
25	2309083	Cover, Center (Crisper Pans)
26	2318008	Cover, Center (Deli Pans)
27	W10001160	Screw 8-32 x 1/2
28	2171931	Valve, Tube-Body
29	2310164	Wire, Jumper

# REFRIGERADOR KBFC42FTS04



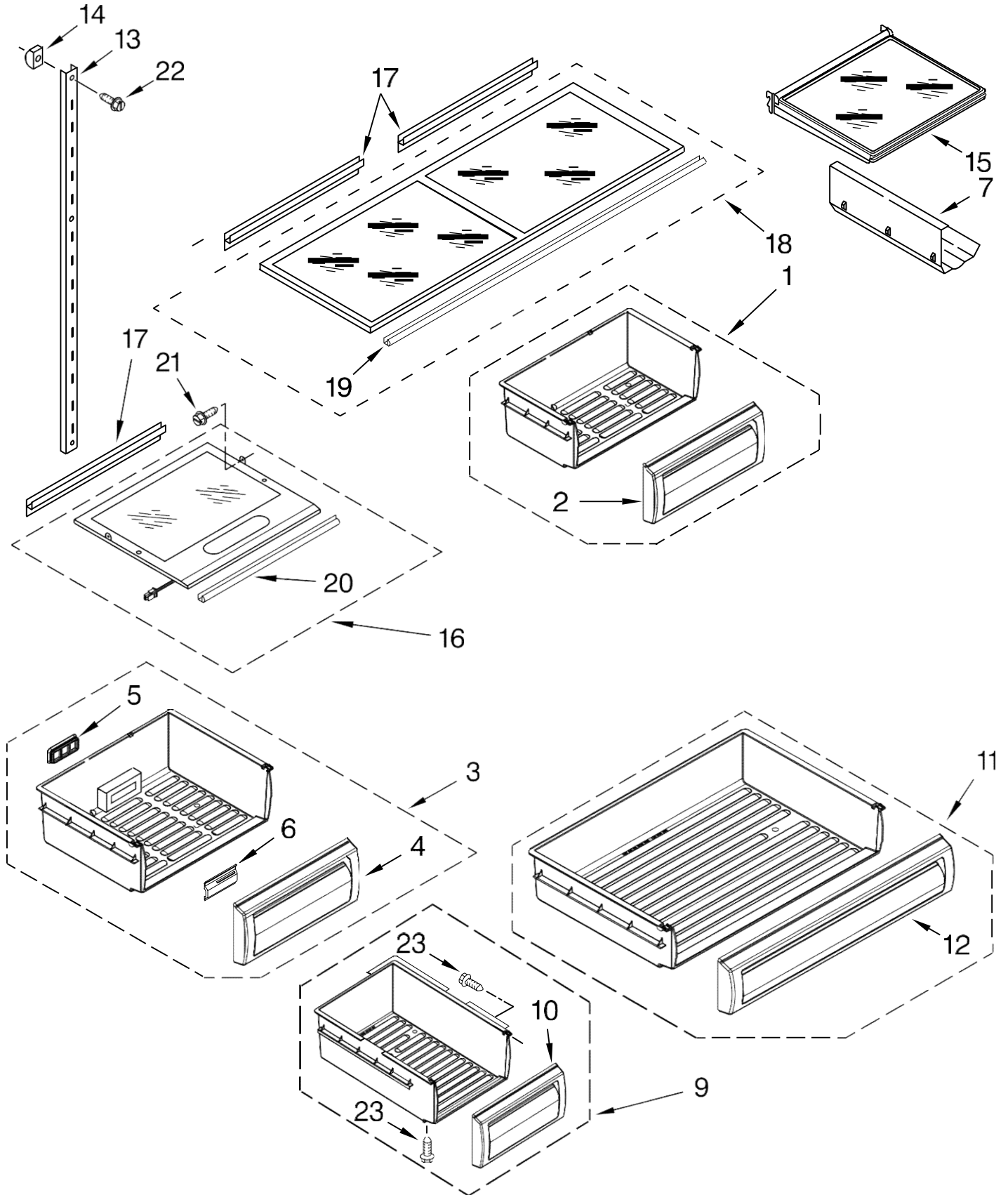


# REFRIGERADOR KBFC42FTS04

Illus. No.	Part No.	DESCRIPTION
1		Liner, Freezer (Not Serviced)
2	2306425	Mounting Bracket, Drawer Slide
3	W10071460	Screw 1/4-20 x 3/4
4	2320616	Drawer Slide, Freezer Basket
5	W10061370	Screw 10-32 x 1/2
6	W10234211	Cover, Light Switch
7	C3680314	Switch, Light
8	486194	Screw 8-15 x .530
9	2223857	Socket, Light
10	2326255	Bulb, Light
11	W10194086	Spacer Assy, Icemaker (Includes Emitter)
12	2306187	Cover, Wiring (Icemaker)
13	2317005	Duct, Air Flow (Icemaker)
14	2306100	Cover, Evaporator
15	2317829	Cover Assy, Evaporator Fan
16	487539	Screw 8-15 x 1/2
17	2306106	Spacer, Drawer (Right Side)
18		Slide, Freezer Bin
	2306117	Left
	2306116	Right
19	488163	Screw 8-15 x 1.000
20	W10290822	Divider, Freezer Bins (Includes Receiver)
21	2306104	Support, Slide (Right)
22	2317927	Shield
23	2306105	Support, Slide (Left)
24		Bracket, Evaporator Cover
	2320512	Left Side
	2317893	Right Side
25	W10123657	Shim, Brkt Slide
26	W10121940	Bracket, Air Return
28	2317844	Thermistor Assy
29	2188820	Thermistor
30	W10075920	Washer
32	8533928	Screw 8-18 x 3/4
33	W10135430	Air Deflector Asy
34	2198643	Lens, Receiver



# REFRIGERADOR KBFC42FTS04





# REFRIGERADOR KBFC42FTS04

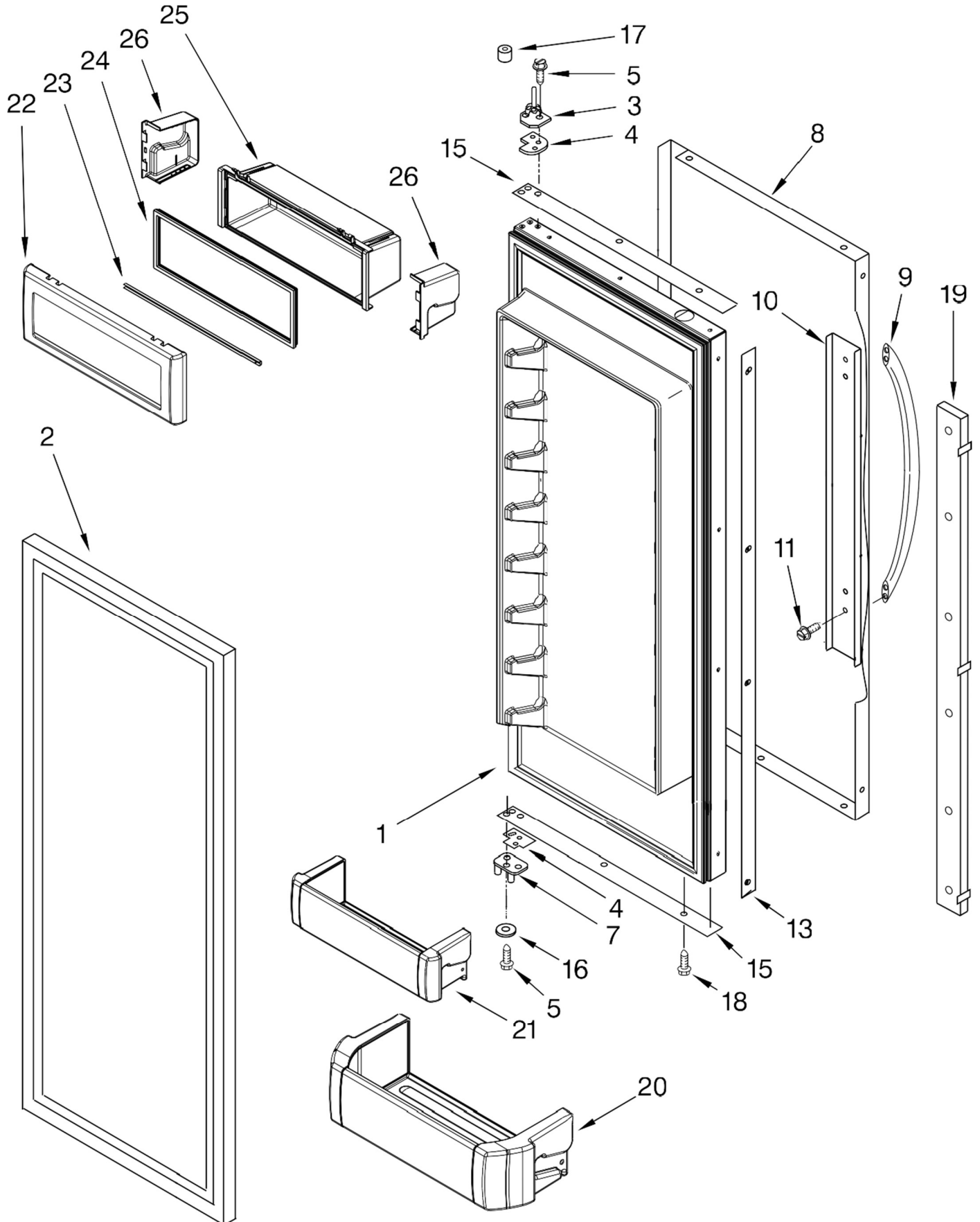
Illus. No.	Part No.	DESCRIPTION
1		Crisper Pan Assembly (Includes Item 2)
	W10407631	Left
	W10407630	Right
2	2256247	Front, Crisper Pan
3		Deli Pan Assembly (Includes Items 4, 5 & 6)
	W10407635	Left
	W10407633	Right
4	2256365	Front, Deli Pan
5	2307810	Duct, Deli Pan
6	2317939	Air Deflector
7	2179404	Rack, Wine
9	2306174	Ice Pan Assembly (Includes Items 10 & 23)
10	2306175	Front, Ice Pan
11	2327511	Freezer Pan Assy (Includes Item 12)
12	2256367	Front, Freezer Pan
13	2327314	Ladder, Shelf
14	520965	Support, Ladder
15	2268246	Shelf
16		Cover, Deli Bin (Includes Item 20)
	2320665	Left
	2320667	Right
17	2309400	Gasket, Rear
18	2309045	Cover, Crisper (Includes Item 19)
19	2309396	Gasket, Front (Crisper Cover)
20	2309395	Gasket, Front (Deli Cover)
21	8281251	Screw 8-15 x 1/2
22	2006475	Screw 8-15 x 1-3/8
23	488886	Screw 8-18 x 1/2

Distribuidor Autorizado

SurteRápido.com

Venta de Refacciones  
Electrodomesticas

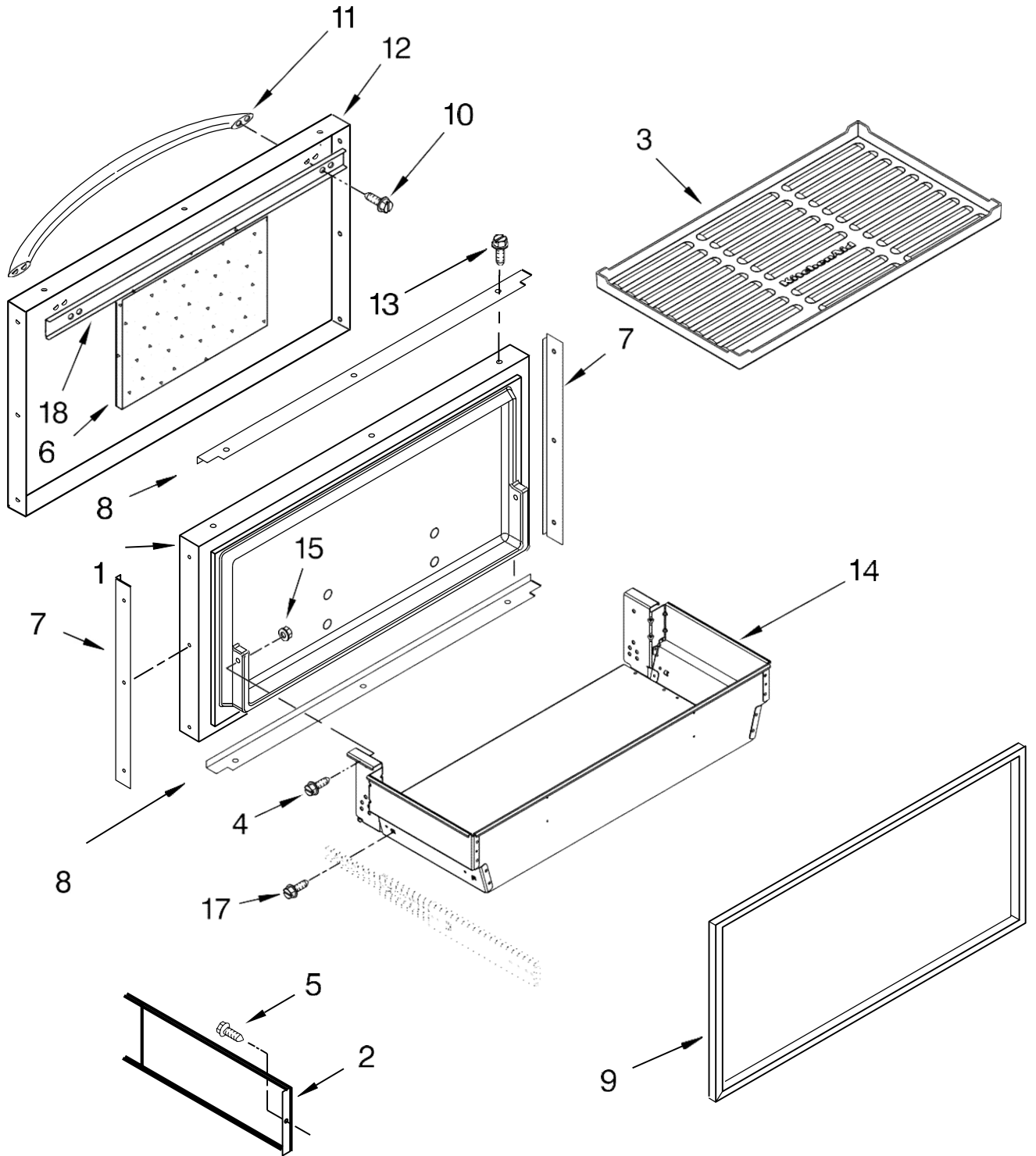
# REFRIGERADOR KBFC42FTS04



# REFRIGERADOR KBFC42FTS04

Illus. No.	Part No.	DESCRIPTION
1		Door, Refrigerator (Includes Item 2)
	W10192510	Left Side
	W10192508	Right Side
2	2268265	Gasket, Door
3	2320642	Hinge Assembly, Top
4	2316804	Spacer-Hinge, Top
5	W10162602	Screw 10-32 x 5/8
7		Bottom Hinge Assembly
	W10273369	Left
	W10273367	Right
8	2316732	Skin, Door
9	2316868	Handle, Door
10	W10127710	Plate, Door Handle
11	308544	Screw 10-24 x 1/2
13	2314068	Spacer, Door Edge (Handle Side)
15	2309204	Spacer, Door Edge (Top / Bottom)
16	2006346	Washer
17	2316760	Bushing, Top Hinge
18	8281250	Screw 8-15 x 1/2
19	2307938	Mullion Assembly (Left Side Door)
20	W10323746	Shelf, Door (Gallon)
21	W10323598	Shelf, Door
22	W10131132	Door, Utility Bin
23	2222795	Rail, Lid
24	2222981	Gasket, Utility Bin
25	W10323035	Bin, Utility
26		End Cap, Utility Bin
	W10323173	Left Side
	W10323172	Right Side

# REFRIGERADOR KBFC42FTS04



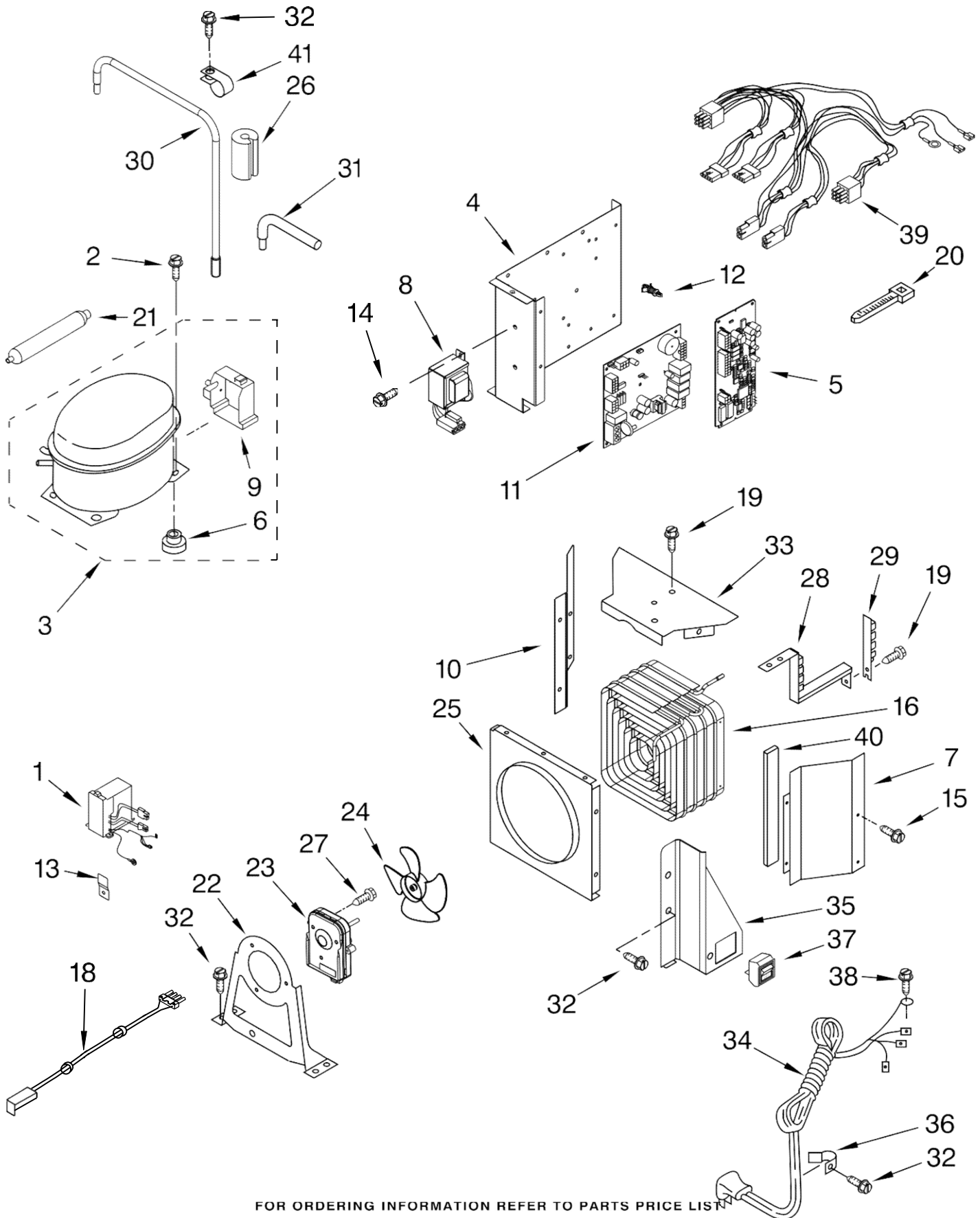
FOR ORDERING INFORMATION REFER TO PARTS PRICE LIST



# REFRIGERADOR KBFC42FTS04

Illus. No.	Part No.	DESCRIPTION
1	W10258747	Freezer Door (Includes Item 9)
2	2317101	Divider, Basket
3	2314024	Mat, Basket
4	W10135775	Screw 5/16 x 3/4
5	W10135792	Screw 8-32 x 1/4
6	2309219	Filler, Foam
7	W10340330	Spacer, Door Edge - Side
8	2309221	Spacer, Door Edge Top & Bottom
9	W10192907	Door Gasket, Magnetic
10	308544	Screw 10-24 x 1/2
11	2316868	Handle, Door
12	W10194432	Skin, Door
13	8281250	Screw 8-15 x 1/2
14	W10258183	Basket Assembly, Freezer
15	2207454	Nut, Hex
17	W10109030	Screw 10-24 x 1/4 (Basket to Slide)
18	W10127710	Plate, Door Handle

# REFRIGERADOR KBFC42FTS04



FOR ORDERING INFORMATION REFER TO PARTS PRICE LIST

# REFRIGERADOR KBFC42FTS04

Illus. No.	Part No.	DESCRIPTION
1	W10133449	Inverter Box
2	489373	Screw 1/4-28 x .90
3	2302967	Compressor Assy (Includes Items 6 & 9) (Also Order 876765 Tube Kit)
4	2307683	Housing, Control Board
5	2303091	Ctrl-Elec, Phoenix
6	1100826	Grommet, Mounting
7	W10415668	Support, Condenser (Right)
8	2303033	Transformer
9	2215676	Terminal Cover
10	W10415666	Support, Condenser (Left)
11	W10802701	Ctrl-Elec, Gemini
12	2203075	Spacer
13	2256328	Bracket, Inverter Box
14	487415	Screw 8-18 x .375
15	1157158	Screw 8-18 x .375
16	2307998	Condenser
18	2310207	Wire, Jumper

Illus. No.	Part No.	DESCRIPTION
19	489399	Screw 8-32 x .312
20	2155774	Wire Tie
21	W10175593	Drier
22	W10414681	Bracket, Fan Motor
23	2188875	Motor, Fan
24	W10139483	Blade, Fan
25	W10415670	Orifice, Fan
26	2319835	Grommet
27	W10146359	Screw 7-18 x 1/2
28	2317031	Bracket, Vibration (Condenser)
29	2317030	Arm, Vibration (Condenser)
30	2307566	Tube, Transition (Condenser/Drier)
31	2194319	Tube, Process
32	486194	Screw 8-15 x .530
33	2309000	Cover, Condenser
34	2310251	Service Cord
35	W10185556	Bracket, Mounting (Power Switch)
36	549193	Clamp, Cord
37	2266802	Switch, Power Disconnect
38	487294	Screw 8-32 x .375
39	W10178872	Viring Harness, Unit Compartment

Illus. No.	Part No.	DESCRIPTION
40	2309432	Gasket, Condenser
41	W10331955	Clamp, Tube

Following Parts Not Illustrated and Optional Parts Not Included

- 978025 Valve, Access (1/4")
- 978026 Valve, Access (5/16")
- 978027 Valve, Access (3/8")
- 978028 Valve, Access (1/2")
- 978029 Valve, Access (5/8")
- 978030 Valve, Access (3/4")
- 876764 Valve, Access (3/16")

**REFRIGERANT CHARGE**

6.25 oz.  
(R-134A)

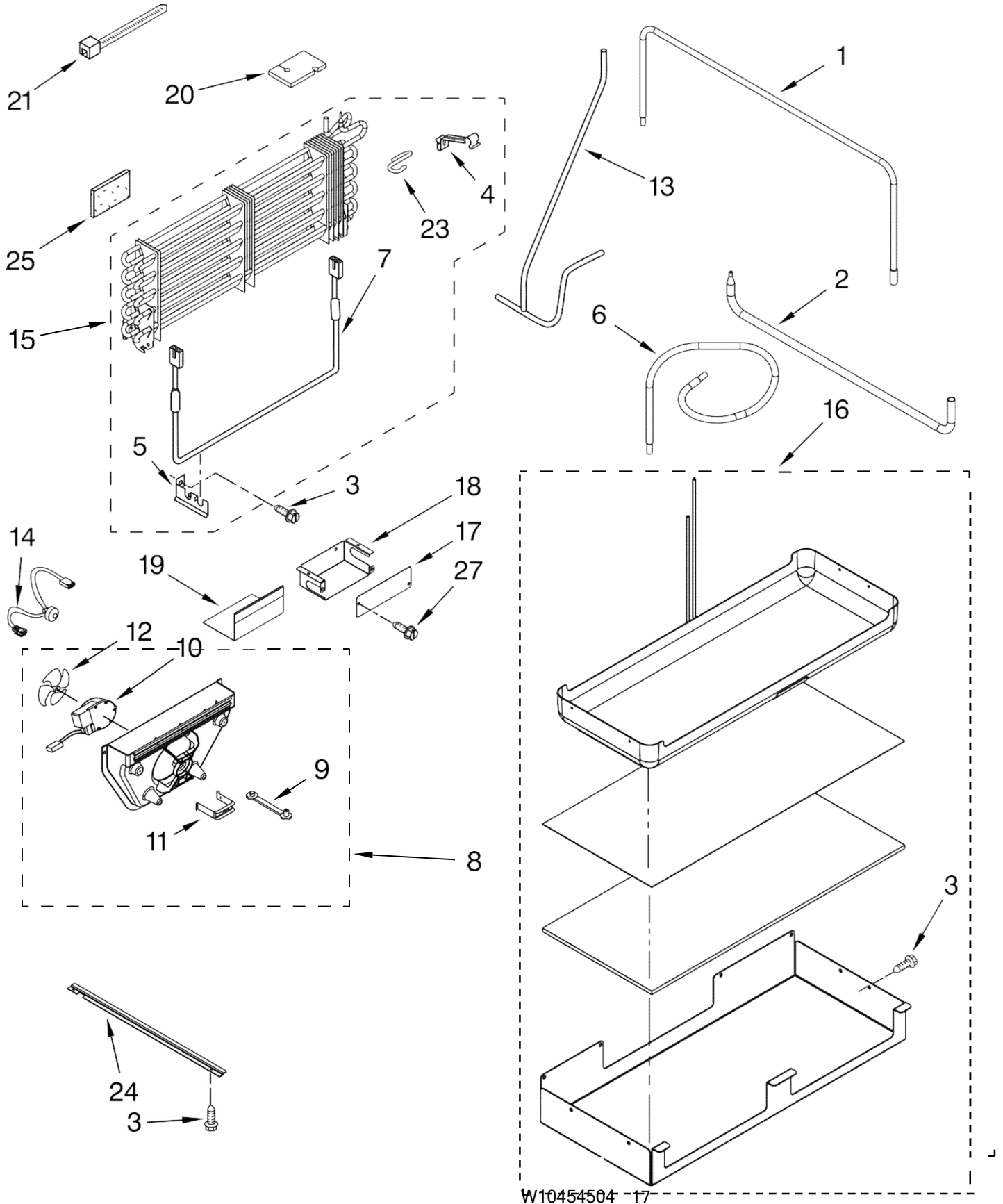


Distribuidor Autorizado

SurteRápido.com

Venta de Refacciones  
Electrodomesticas

# REFRIGERADOR KBFC42FTS04



W10454504 -17

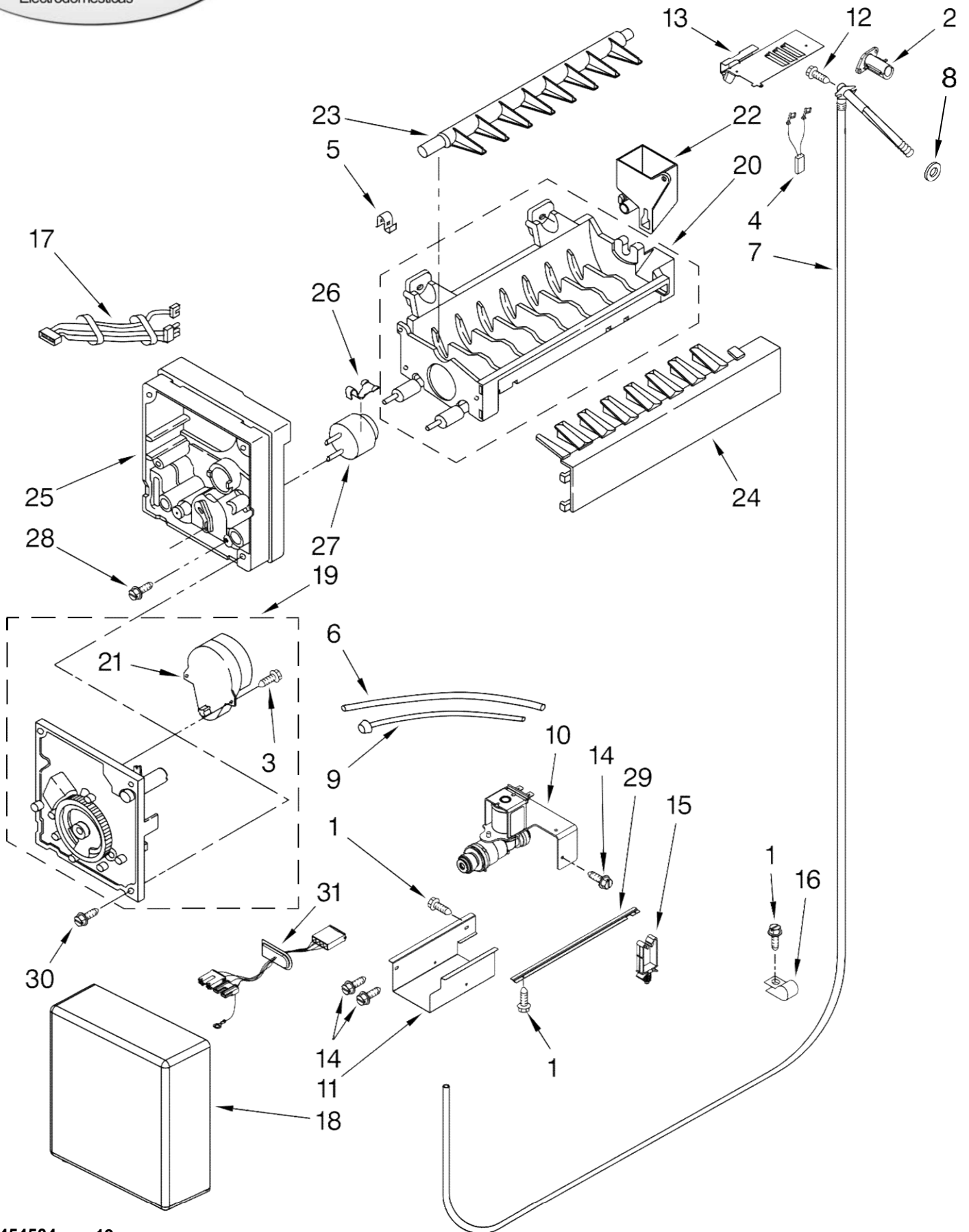
FOR ORDERING INFORMATION REFER TO PARTS PRICE LIST



# REFRIGERADOR KBFC42FTS04

Illus. No.	Part No.	DESCRIPTION
1	2309072	Tube, Transition (Condenser)
2	W10388653	Tube, Transition (Drier/Restrictor)
3	486194	Screw 8-15 x .530
4	2307944	Clip, Heater
5	2307945	Bracket, Mounting
6	W10306442	Tube, Suction
7	W10219166	Heater, Defrost
8	2306178	Scroll Assembly (Includes Items 9, 10, 11 & 12)
9	W10449920	Grommet, Motor
10	2259385	Motor, Fan
11	2223733	Retainer, Fan Motor
12	2169142	Blade, Fan
13	W10404239	Tube, Discharge
14	W10139165	Defrost Bi-Metal
15	W10195924	Evaporator (Includes Items 4, 5, 7 & 23)
16	W10281063	Drain Pan Assembly
17	W10321048	Cover-Box, Wire
18	W10316077	Cover-Wiring, Btm
19	W10321050	Shield-Wiring, Cvr
20	2306180	Block, Evaporator Water Filter
21	2155774	Wire Tie
23	2317920	Clip, Defrost Heater
24	2320554	Bracket, Drain Pan
25	2169104	Insulation, Sound
27	304392	Screw 8-18 x 1/2

# REFRIGERADOR KBFC42FTS04



Distribuidor Autorizado

**SurteRápido.com**

Venta de Refacciones  
Electrodomesticas

# REFRIGERADOR KBFC42FTS04

<b>Illus. No.</b>	<b>Part No.</b>	<b>DESCRIPTION</b>
1	486194	Screw 8-15 x .530
2	2221240	Heater, Fill Tube
3	489136	Screw 3-24 x .360
4	2310108	Jumper, Heater Fill Tube
5	628379	Clip, Fuse
6	W10296807	Tube, Filter Inlet
7	2317847	Tube Assembly, Water Inlet
8	1106508	Seal Gasket
9	2317912	Tube, Filter Outlet
10	2307650	Valve, Solenoid
11	W10129653	Shield, Valve
12	W10001250	Screw 8-18 x 1/2
13	2221231	Heat Shield
14	304392	Screw 8-18 x 1/2
15	W10129069	Clip, Tube
16	488946	Clamp, Tube
17	2310136	Wire Harness, Icemaker
18	W10289690	Cover
19	626691	Module Assembly (Includes Items 3 & 21)
20	W10122527	Mold & Heater (Also Order 542638 Silicone Grease)
21	626683	Motor
22	W10122561	Cup, Water Fill
23	627843	Ejector
24	W10122563	Ice Stripper
25	2194712	Support
26	2315522	Retainer, Thermostat
27	627985	Thermostat (Also Order 542639 Cement Alumilastic)
28	8533917	Screw 10-32 x .830
29	2320559	Support, Valve
30	489276	Screw 8-18 x 3/4
31	W10279393	Wire Assembly (Water Valve)
100	2316895	Complete Icemaker Assembly

---

**Following Parts Not Illustrated  
(Optional Parts Only)**

---

8537055 Cleaner,  
Stainless Steel  
W10129081 Handle Kit for  
Previous Architect  
Series (Stainless)