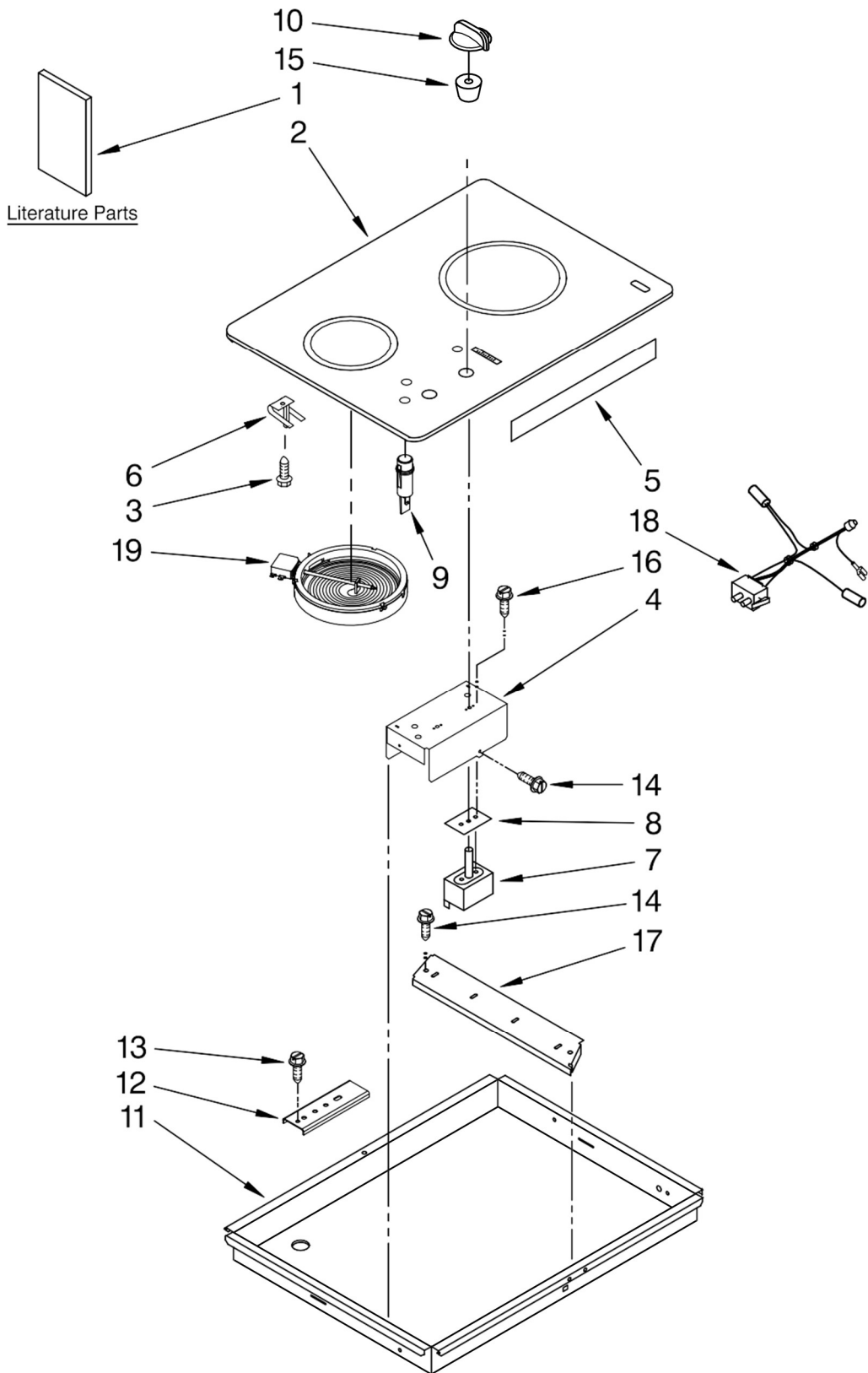




# PARRILLA KECC056RBL02



<b>Illus. No.</b>	<b>Part No.</b>	<b>DESCRIPTION</b>
1		Literature Parts
	8286066	Installation Instructions
	3192609	Wiring Diagram
	8286608	Use & Care Guide
	3191638	Use & Care Guide Safer Cooking Tips
	9759133	English French
2	8286989	Cooktop, Glass
3	246119	Screw
4	3192702	Bracket, Switch
		Mounting
5	4457298	Foam, Seal
6	9759094	Spring Locator (8)
7	3191050	Switch, Infinite
		Use W/1700W
		Use W/1400W
8	3191049	Front Burner
		Rear Burner
8	3192439	Seal, Limiter
9	3193012	Light, Indicator
10	9750372	Knob, Control (2)
		FF Black
		FW White
		FC Biscuit
11	8286958	Box, Burner
12	4455917	Bracket, Mounting
13	3400093	Screw
14	3196537	Screw
15	8285469	Seal, Infinite
16	311865	Screw
17	3192721	Rail, Element
18	3192612	Lamp, Hot
		Surface Indicator
		Element, Surface
		1200W Front
		1800W Rear
19	3183956	Seal, Switch Cover

**FOLLOWING PARTS  
NOT ILLUSTRATED**

**Miscellaneous**

4455364 Bracket, Support



# PARRILLA KECC056RBL02

<u>Illus. No.</u>	<u>Part No.</u>	<u>DESCRIPTION</u>
<b>FOLLOWING PARTS NOT ILLUSTRATED</b>		

**SPLICING WIRES--25FT.**

**LENGTH**

- 242828 Wire, Black  
12 Ga. 150°C
- 242820 Wire, Black  
14 Ga. 150°C
- 242822 Wire, Blue  
14 Ga. 150°C
- 242830 Wire, Brown  
14 Ga. 200°C
- 242823 Wire, Green  
14 Ga. 150°C
- 242824 Wire, Orange  
14 Ga. 150°C
- 242825 Wire, Red  
14 Ga. 150°C
- 242831 Wire, Red  
14 Ga. 200°C
- 242827 Wire, Yellow  
14 Ga. 150°C

**WIRING HARNESS PARTS**

- 4457254 Wiring Harness  
Surface Unit
- 98997 Clip, Harness
- 3400015 Screw, Ground
- 4456511 Conduit
- 3196160 Screw