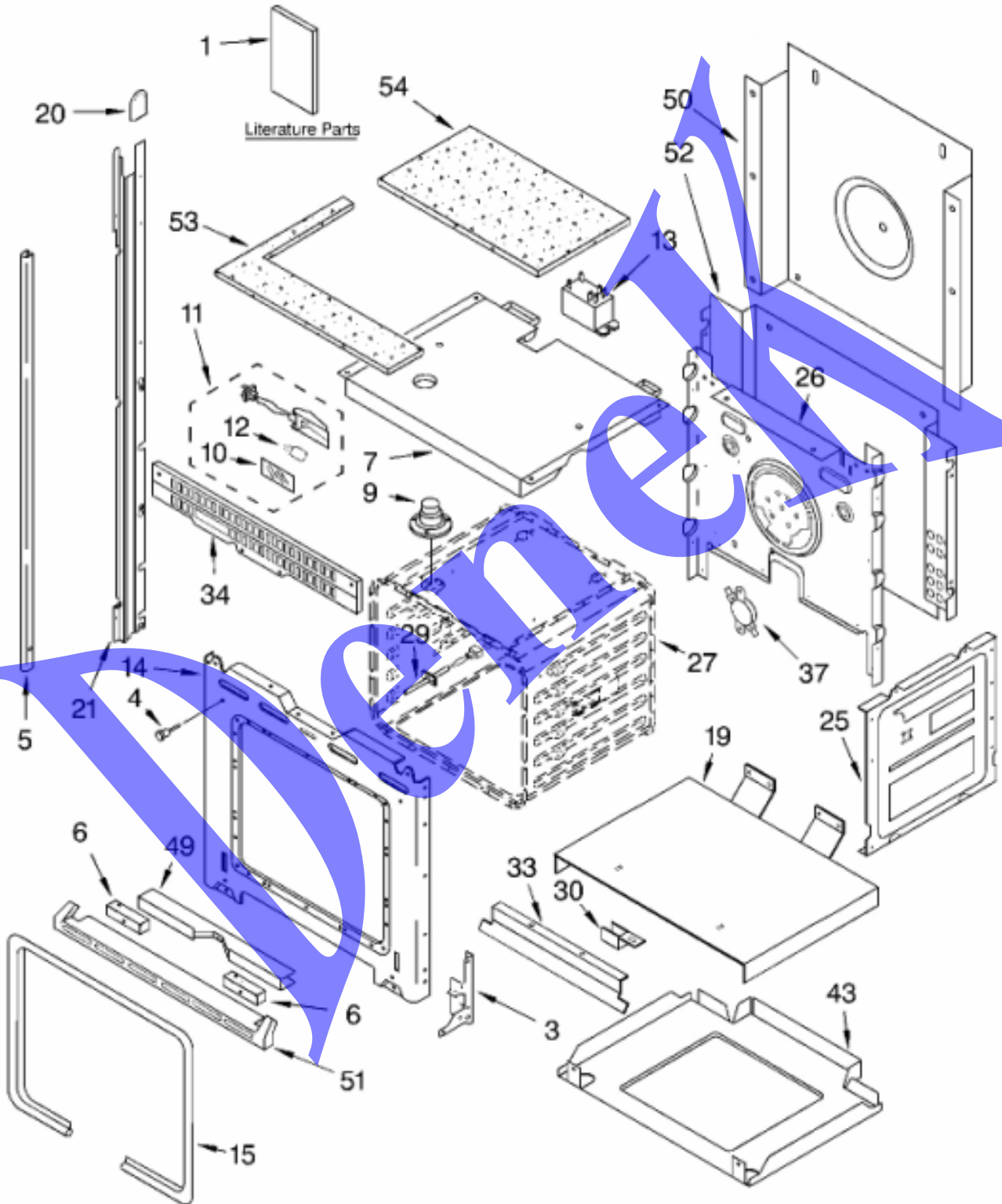


HORNO KITCHEN AID MOD. KEMC308KSS01

HORNO



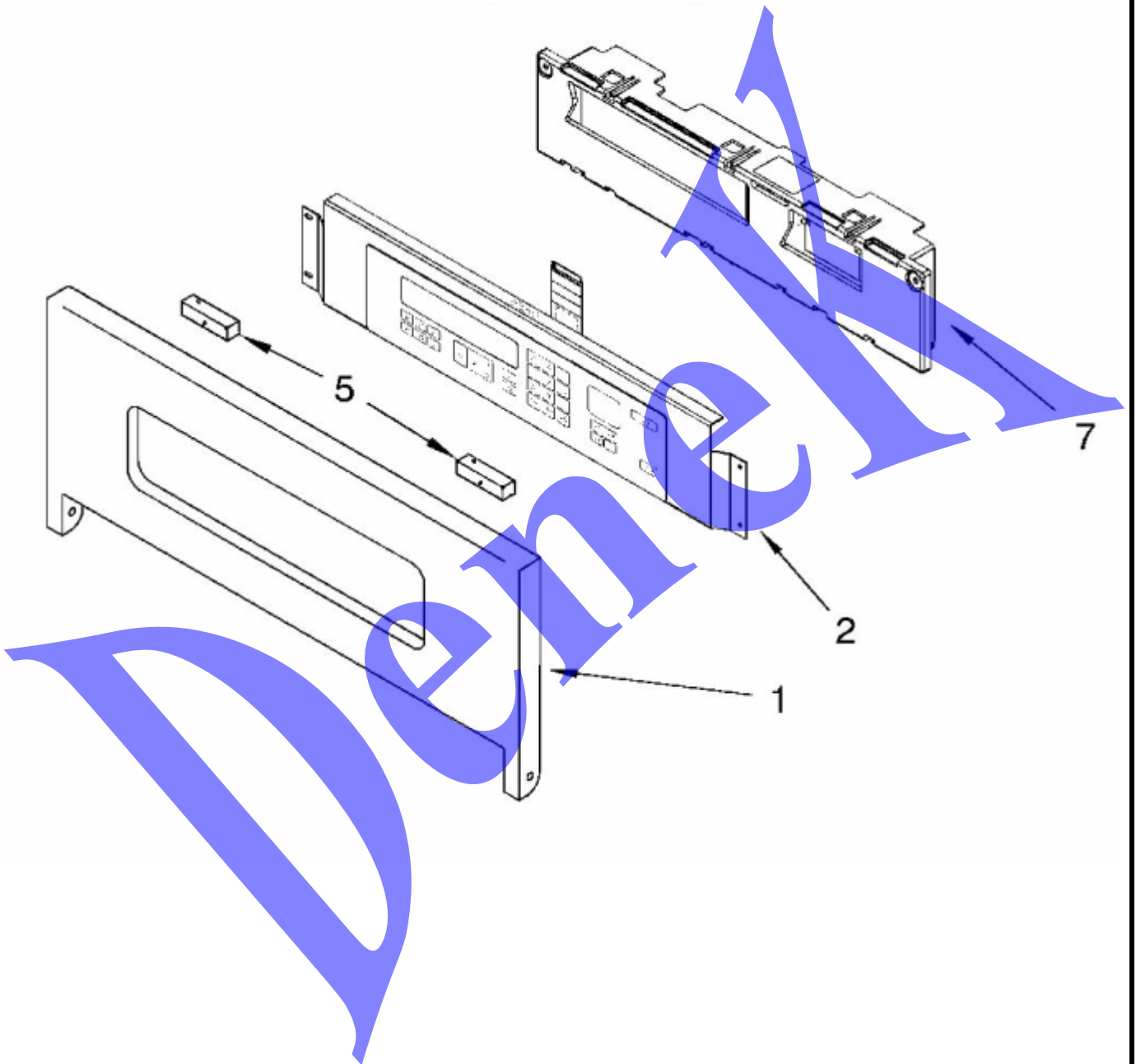
HORNO KITCHEN AID MOD. KEMC308KSS01

HORNO

| NUMERO | N.DE PARTE | DESCRIPCION |
|--------|------------|---|
| 1 | LIT4455994 | LITERATURE PARTS (INSTALLATION INSTRUCTIONS) |
| 1 | LIT4456573 | LITERATURE PARTS (USE & CARE GUIDE (OVEN)) |
| 1 | LIT8300890 | LITERATURE PARTS (USE & CARE GUIDE (MICROWAVE)) |
| 1 | LIT4450786 | LITERATURE PARTS (COOKING GUIDE (LABLE)) |
| 1 | LIT8302001 | LITERATURE PARTS (TECH SHEET (OVEN)) |
| 1 | LIT4449264 | LITERATURE PARTS (EASY SET GUIDE) |
| 1 | LIT3191638 | LITERATURE PARTS (SAFER COOKING TIPS) |
| 1 | LIT4451052 | LITERATURE PARTS (EASY USE GUIDE (MICROWAVE)) |
| 3 | 4455605 | HINGE RECIEVER (LEFT HAND) |
| 3 | 4455606 | HINGE RECIEVER (RIGHT HAND) |
| 4 | 4448520 | BUMPER, DOOR |
| 5 | 4455430 | TRIM, SIDE (RH BLACK) |
| 5 | 4455434 | TRIM, SIDE (RH WHITE) |
| 5 | 4455432 | TRIM, SIDE (RH BISCUIT) |
| 5 | 4452083 | TRIM, SIDE (STAINLESS STEEL) |
| 5 | 4455431 | TRIM, SIDE (LH BLACK) |
| 5 | 4455435 | TRIM, SIDE (LH WHITE) |
| 5 | 4455433 | TRIM, SIDE (LH BISCUIT) |
| 5 | 4452084 | TRIM, SIDE (STAINLESS STEEL SCREW) |
| 5 | 8281236 | TRIM, SIDE (BLACK) |
| 5 | 4449041 | TRIM, SIDE (WHITE) |
| 6 | 4452490 | SPACER, FOAM |
| 7 | 4455865 | TOP CHASSIS |
| 7 | 4449809 | SCREW |
| 9 | 4452158 | TUBE, VENT |
| 9 | 3196176 | SCREW |
| 10 | 4452163 | LENS, LIGHT |
| 11 | 4448972 | OVEN LIGHT ASSY |
| 11 | 4449748 | SCREW |
| 12 | 4452164 | BULB, LIGHT |
| 13 | 9752759 | RELAY |
| 14 | 4455612 | FRAME, FRONT |
| 14 | 4449040 | SCREW |
| 14 | 4450118 | NUT |
| 15 | 4455382 | GASKET, DOOR |
| 19 | 4451478 | SUPPORT, INSULATION |
| 20 | 4451605 | CAP, SPACER |
| 21 | 4450583 | RAIL, SIDE (RIGHT SIDE) |
| 21 | 4450584 | RAIL, SIDE (LEFT SIDE) |
| 21 | 4448444 | RAIL, SIDE (GROMMET) |
| 21 | 4449154 | RAIL, SIDE (SCREW) |
| 25 | 4455641 | SIDE, CHASSIS (R.H. & L.H.) |
| 25 | 4449809 | SCREW |
| 26 | 4452234 | BACK, CHASSIS |
| 26 | 4449809 | SCREW |
| 27 | | LINER, OVEN (NOT SERVICEABLE) |
| 29 | 4455636 | SENSOR |
| 29 | 4449154 | SCREW |
| 30 | 4449845 | BRACKET, SUPPORT |
| 30 | 4449809 | SCREW |
| 33 | 4452496 | DEFLECTOR, VENT |
| 34 | 4451667 | VENT, CENTER |
| 34 | 4450038 | SCREW |
| 37 | 4451442 | THERMOSTAT (TOD) (TEMP.) SPST |
| 37 | 4449809 | SCREW |
| 43 | 4455530 | BASE, CHASSIS |
| 43 | 4449809 | SCREW |
| 49 | 4448933 | RETAINER, GASKET |
| 49 | 4449154 | SCREW |
| 50 | 4451747 | COVER, BACK |
| 50 | 4449809 | SCREW |
| 51 | 4455443 | TRIM, BOTTOM (BLACK) |
| 51 | 4455445 | TRIM, BOTTOM (WHITE) |
| 51 | 4455447 | TRIM, BOTTOM (BISCUIT) |
| 51 | 4455147 | TRIM, BOTTOM (STAINLESS STEEL) |
| 51 | 3400805 | TRIM, BOTTOM (SCREW) |
| 51 | 4452152 | TRIM, BOTTOM (BRACKET, VENT MOUNTING) |
| 52 | 4451756 | CHASSIS, BACK |
| 53 | 4452492 | INSULATION, CONVECTION TOP |
| 54 | 4452491 | INSULATION, CONVECTION GRILL |
| 54 | | FOLLOWING PARTS NOT ILLUSTRATED INSULATION |
| 54 | 4449316 | INSULATION, WRAP |
| 54 | 4450365 | INSULATION, BACK |
| 54 | 4452337 | INSULATION, BOTTOM VENT |

HORNO KITCHEN AID MOD. KEMC308KSS01

PANEL DE CONTROL



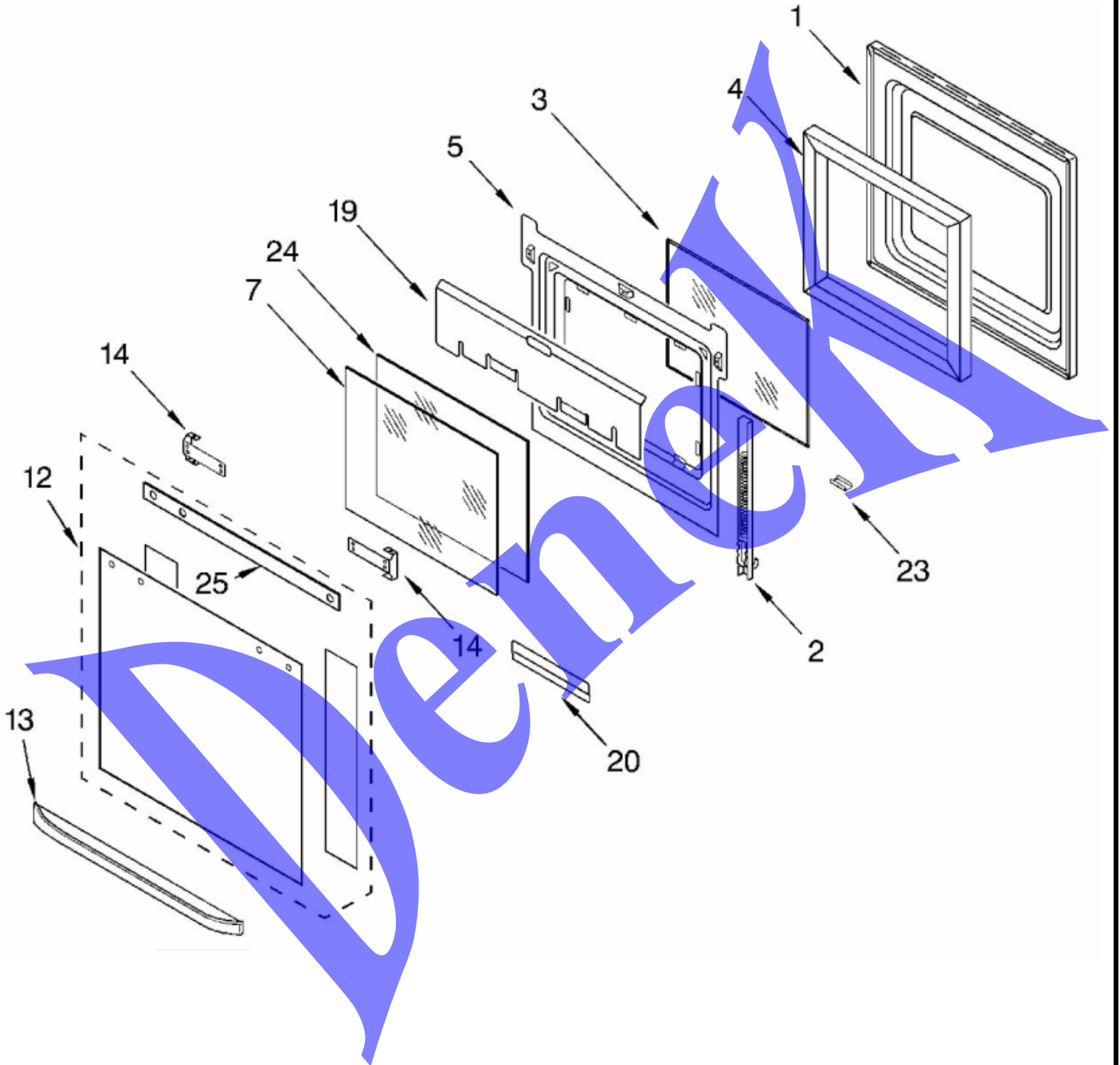
HORNO KITCHEN AID MOD. KEMC308KSS01

PANEL DE CONTROL

| NUMERO | N.DE PARTE | DESCRIPCION |
|--------|------------|-----------------------------------|
| 1 | 4452604 | PANEL. CONTROL (BLACK) |
| 1 | 4452605 | PANEL. CONTROL (WHITE) |
| 1 | 4452974 | PANEL. CONTROL (BISCUIT) |
| 1 | 4451791 | PANEL. CONTROL (STAINLESS STEEL) |
| 2 | 8302022 | SWITCH MEMBRANE (BLACK) |
| 2 | 8302027 | SWITCH MEMBRANE (WHITE) |
| 2 | 8302025 | SWITCH MEMBRANE (BISCUIT) |
| 2 | 8302012 | SWITCH MEMBRANE (STAINLESS STEEL) |
| 5 | 4452260 | SPACER, FOAM |
| 7 | 8301990 | ASSY, CONTROL |
| 7 | 4449745 | SCREW |

HORNO KITCHEN AID MOD. KEMC308KSS01

PUERTA DEL HORNO



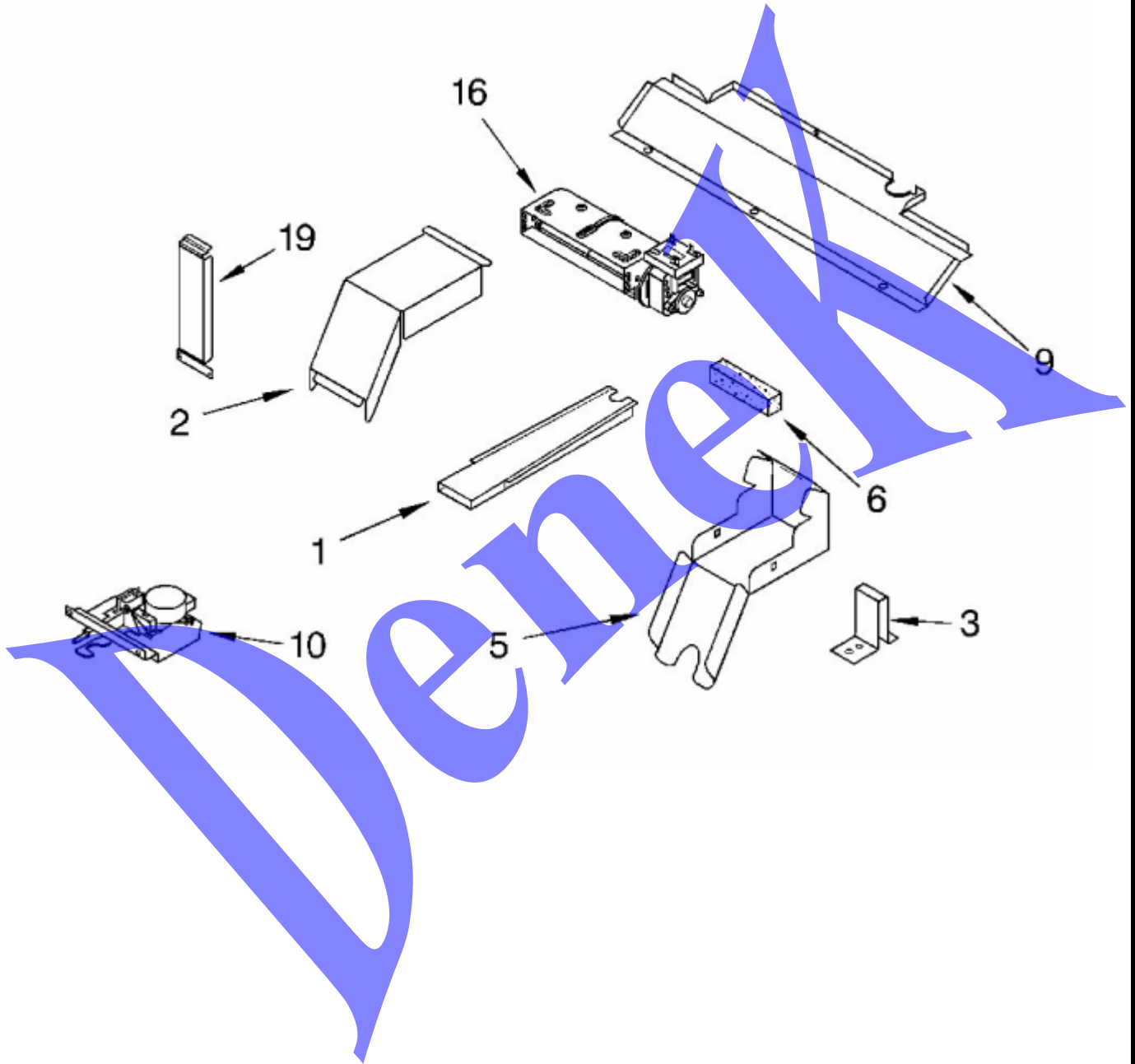
HORNO KITCHEN AID MOD. KEMC308KSS01

PUERTA DEL HORNO

| NUMERO | N.DE PARTE | DESCRIPCION |
|--------|------------|------------------------------------|
| 1 | 4455618 | DOOR LINER |
| 2 | 8300575 | HINGE, DOOR (RT SIDE (CLEAR)) |
| 2 | 8300576 | HINGE, DOOR (LFT SIDE (CLEAR)) |
| 2 | 8300577 | HINGE, DOOR (RT SIDE (YELLOW)) |
| 2 | 8300578 | HINGE, DOOR (LFT SIDE (YELLOW)) |
| 2 | 4449743 | HINGE, DOOR (SCREW) |
| 3 | 4449259 | GLASS, INNER |
| 4 | 4451722 | INSULATION, DOOR |
| 5 | 8300778 | RETAINER, GLASS |
| 5 | 4449809 | SCREW |
| 7 | 4449263 | GLASS, INNER |
| 12 | 4455391 | DOOR GLASS, ASSY (BLACK) |
| 12 | 4455390 | DOOR GLASS, ASSY (WHITE) |
| 12 | 4455395 | DOOR GLASS, ASSY (BISCUIT) |
| 12 | 4452316 | DOOR GLASS, ASSY (STAINLESS STEEL) |
| 13 | 4452502 | DOOR HANDLE (BLACK) |
| 13 | 4452503 | DOOR HANDLE (WHITE) |
| 13 | 4452871 | DOOR HANDLE (BISCUIT) |
| 13 | 4452088 | DOOR HANDLE (STAINLESS STEEL) |
| 14 | 4455803 | BRACKET, HANDLE (RIGHT HAND) |
| 14 | 4455804 | BRACKET, HANDLE (LEFT HAND) |
| 14 | 3196184 | BRACKET, HANDLE (SCREW) |
| 19 | 4450362 | SHIELD, HEAT |
| 19 | 4449809 | SCREW |
| 20 | 4450470 | RETAINER, GLASS |
| 20 | 4449809 | SCREW |
| 23 | 4450863 | RETAINER, GLASS-CLIP (BLACK) |
| 23 | 4450864 | RETAINER, GLASS-CLIP (WHITE) |
| 23 | 4452119 | RETAINER, GLASS-CLIP (ALMOND) |
| 23 | 4451432 | RETAINER, GLASS-CLIP |
| 24 | 8300974 | GLASS, INNER |
| 25 | 4452326 | SEAL, PANO |

HORNO KITCHEN AID MOD. KEMC308KSS01

PICAPORTE



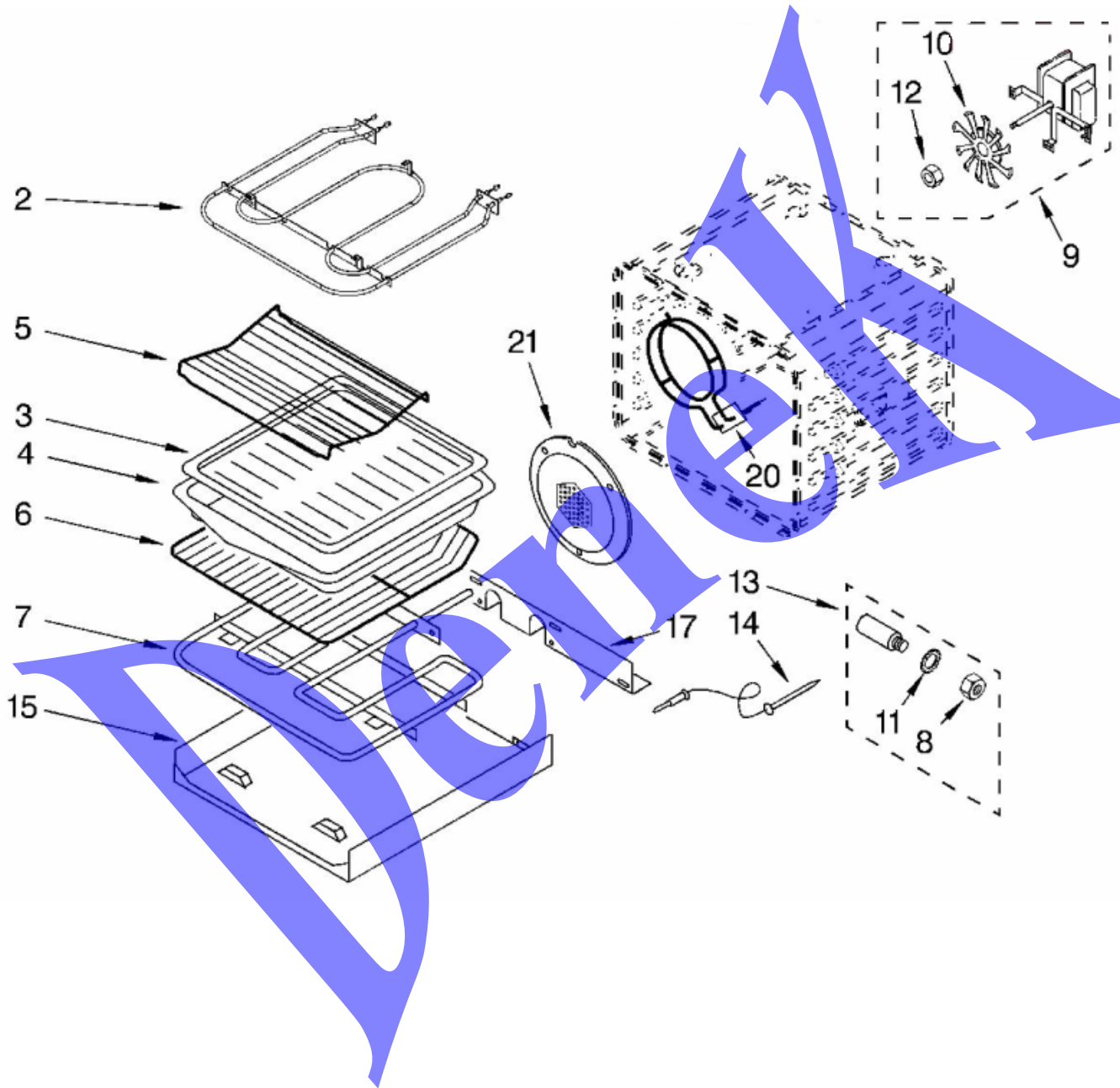
HORNO KITCHEN AID MOD. KEMC308KSS01

PICAPORTE

| NUMERO | N.DE PARTE | DESCRIPCION |
|--------|------------|------------------------|
| 1 | 4451759 | VENT, EXHAUST |
| 2 | 4455178 | ELBOW, VENT-TOP |
| 3 | 8300791 | BRACKET, COMBO CHASSIS |
| 5 | 4455177 | ELBOW, VENT-BOTTOM |
| 6 | 4451758 | SEAL, FOAM |
| 9 | 4450408 | BAFFLE, REAR |
| 9 | 4449154 | SCREW |
| 10 | 8302157 | LATCH, MOTORIZED |
| 16 | 6610168 | BLOWER |
| 16 | 4449809 | SCREW |
| 19 | 4449906 | EXT FILLER |
| 19 | 4455191 | PLATE, SERVICE |

HORNO KITCHEN AID MOD. KEMC308KSS01

INTERIOR DEL HORNO



HORNO KITCHEN AID MOD. KEMC308KSS01

INTERIOR DEL HORNO

| NUMERO | N.DE PARTE | DESCRIPCION |
|--------|------------|---------------------|
| 2 | 4456104 | ELEMENT, BROIL |
| 2 | 4449154 | SCREW |
| 3 | 3147563 | GRILL, BROILER |
| 4 | 3147845 | PAN, BROILER |
| 5 | 3181534 | RACK, ROASTING |
| 6 | 4448717 | RACK, OVEN |
| 7 | 4452155 | ELEMENT, BAKE |
| 8 | 4448881 | NUT, HEX |
| 9 | 4451583 | CONVECTION, MOTOR |
| 9 | 4449154 | SCREW |
| 10 | 4452226 | BLADE, FAN |
| 11 | 4448882 | WASHER, LOCK |
| 12 | 4452227 | NUT |
| 13 | 4451355 | JACK, MEAT PROBE |
| 14 | 4448948 | PROBE, MEAT |
| 15 | 4455037 | TRAY, BAKE |
| 17 | 4450039 | COVER, BAKE TRAY |
| 17 | 4449809 | SCREW |
| 20 | 4452157 | ELEMENT, CONVECTION |
| 20 | 4449154 | SCREW |
| 21 | 4448418 | COVER, FAN |
| 21 | 4449154 | SCREW |

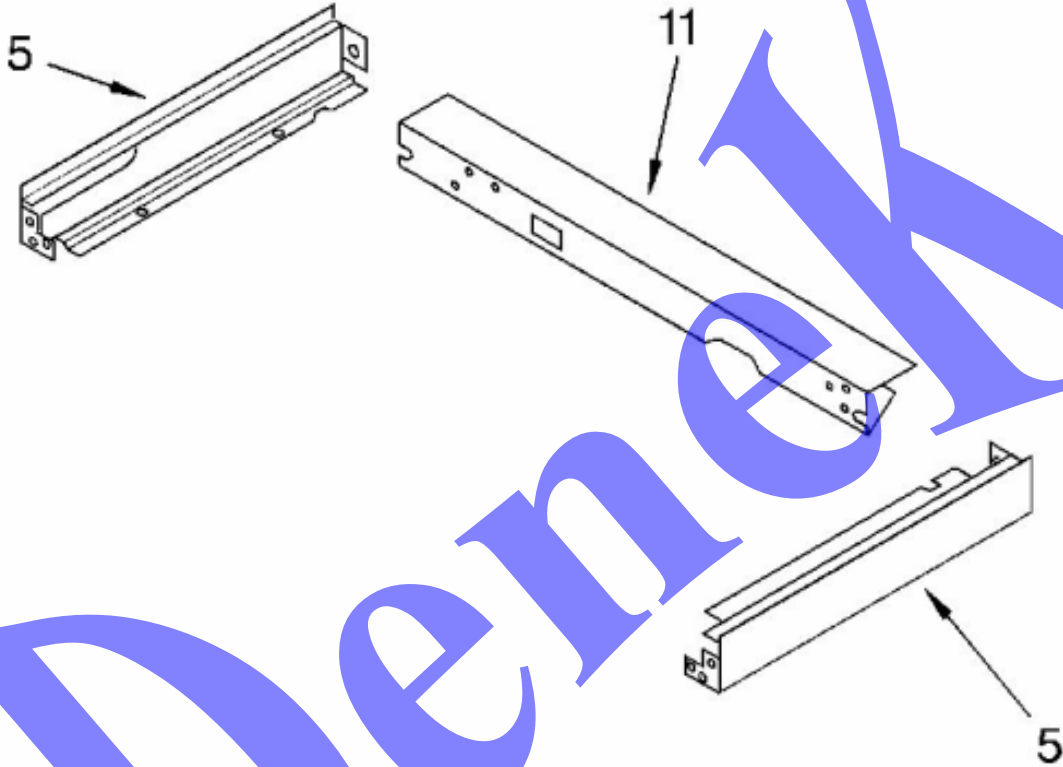
HORNO KITCHEN AID MOD. KEMC308KSS01

PLATOS

| NUMERO | N.DE PARTE | DESCRIPCION |
|--------|------------|----------------------------|
| 1 | 4375437 | BRACKET, CAPACITOR |
| 3 | 4375252 | RUBBER RING |
| 4 | 4375038 | SCREW |
| 5 | 4375314 | AIR DUCT, MAGNETRON |
| 6 | 4375253 | SUPPORT, TUBE |
| 7 | 4375421 | PLUG, CERAMIC |
| 8 | 4375255 | BUSHING |
| 9 | 4375256 | REFLECTOR |
| 10 | 4375257 | CHAMBER, REFLECTOR |
| 12 | 4375450 | DUCT, INLET |
| 13 | 4375316 | INSULATION, SWITCH |
| 14 | 4375322 | FAN WHEEL |
| 15 | 4375317 | DUCT, AIR |
| 16 | 4375415 | BLOCK, SLIDE |
| 17 | 4375248 | COVER PLATE, UPPER |
| 18 | 4375251 | SCREW |
| 19 | 4375318 | LENS, LAMP |
| 20 | 4375319 | SPRING |
| 21 | 4375320 | REFLECTOR |
| 23 | 4375276 | RACK |
| 24 | 4393536 | CRISP PLATE |
| 25 | 4375436 | CAPACITOR |
| 26 | 4375424 | MAGNETRON |
| 27 | 4375321 | FUSE |
| 28 | 4375231 | BLOCK, FUSE |
| 29 | 4375278 | MOTOR, BLOWER |
| 30 | 4375279 | THERMOSTAT |
| 31 | 4375423 | THERMOSTAT |
| 32 | 4375281 | THERMOSTAT |
| 33 | 4375408 | O TUBE ASSEMBLY |
| 34 | 4375438 | TRANSFORMER |
| 35 | 4375406 | RING, TURNTABLE |
| 36 | 4375407 | SHAFT, TURNTABLE |
| 39 | 4375412 | BRACKET, HINGE (LEFT) |
| 39 | 4375413 | BRACKET, HINGE (RIGHT) |
| 42 | 4375331 | PLATE, GRILL |
| 43 | 4375332 | BRACKET |
| 44 | 4375441 | FAN CAP |
| 46 | 4375412 | SWITCH HOLDER (LEFT) |
| 46 | 4375413 | SWITCH HOLDER (RIGHT) |
| 47 | 4375258 | NUT |
| 48 | 4375409 | INSULATION (LEFT SIDE) |
| 48 | 4375410 | INSULATION (RIGHT SIDE) |
| 49 | 4375411 | PLATE, SIDE BOTTOM |
| 50 | 4375425 | VALVE |
| 51 | 4375428 | SCREW TO VALVE |
| 52 | 4375427 | THERMOACTUATOR |
| 53 | 4375426 | AIR BLEED |
| 54 | 4375439 | SHIELD, HEAT RIGHT |
| 55 | 4375422 | SENSOR, TEMP. |
| 57 | 4375419 | DUCT, HEATER |
| 58 | 4375416 | WASHER |
| 59 | 4375417 | ELEMENT, HEATER |
| 60 | 4375418 | FAN |
| 61 | 4375429 | MOTOR, FAN |
| 62 | | LEFT-THREADED NUT SERVICED |
| 63 | 4375430 | THERMOSTAT |
| 64 | 4375431 | SHIELD, HEAT |
| 65 | 4375432 | INSULATION |
| 66 | 4375433 | CHAMBER, HEAT CABINET |
| 67 | 4375437 | ISOLATION PLATE |
| 68 | 4375338 | COVER PLATE |
| 71 | 4375341 | SIDE PLATE (LEFT) |
| 71 | 4375342 | SIDE PLATE (RIGHT) |
| 72 | 4375405 | TURNTABLE |
| 73 | 4375346 | SWITCH |
| 74 | 4375347 | MOTOR, TURNTABLE |
| 75 | 4375348 | LAMP |
| 76 | 4375349 | RECTIFIER |
| 77 | 4452220 | RACK, CONVECTION |

HORNO KITCHEN AID MOD. KEMC308KSS01

PARTES DEL COMPARTIMENTO DEL MICRO



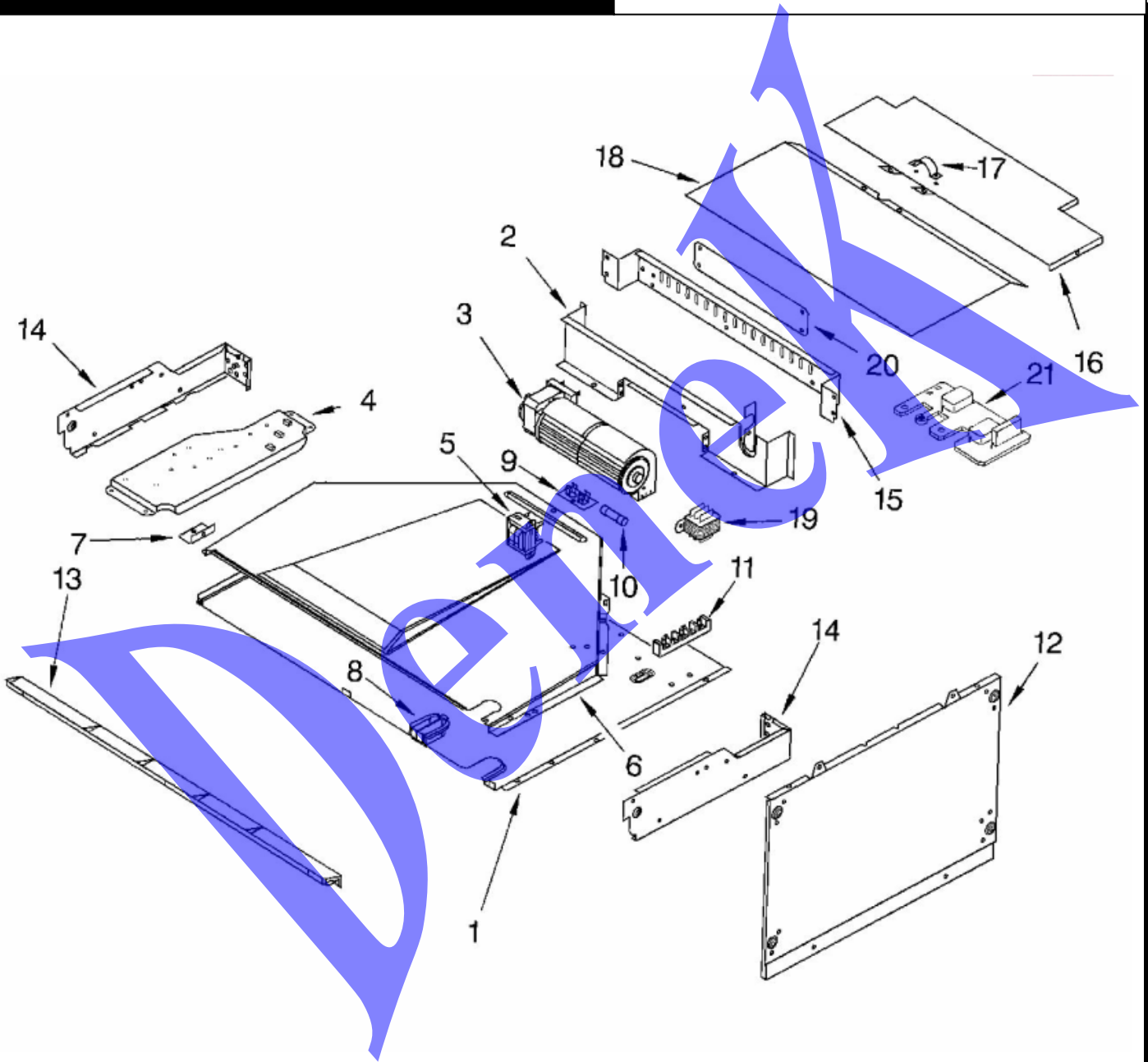
HORNO KITCHEN AID MOD. KEMC308KSS01

PARTES DEL COMPARTIMENTO DEL MICRO

| NUMERO | N.DE PARTE | DESCRIPCION |
|--------|------------|----------------------------|
| 5 | 4452551 | SUPPORT RAILS (RIGHT SIDE) |
| 5 | 4452552 | SUPPORT RAILS (LEFT SIDE) |
| 5 | 4449809 | SUPPORT RAILS (SCREW) |
| 11 | 4452548 | REAR CHANNEL |
| 11 | 4449809 | SCREW |
| 11 | 4449154 | SCREW |

HORNO KITCHEN AID MOD. KEMC308KSS01

VENTILACION



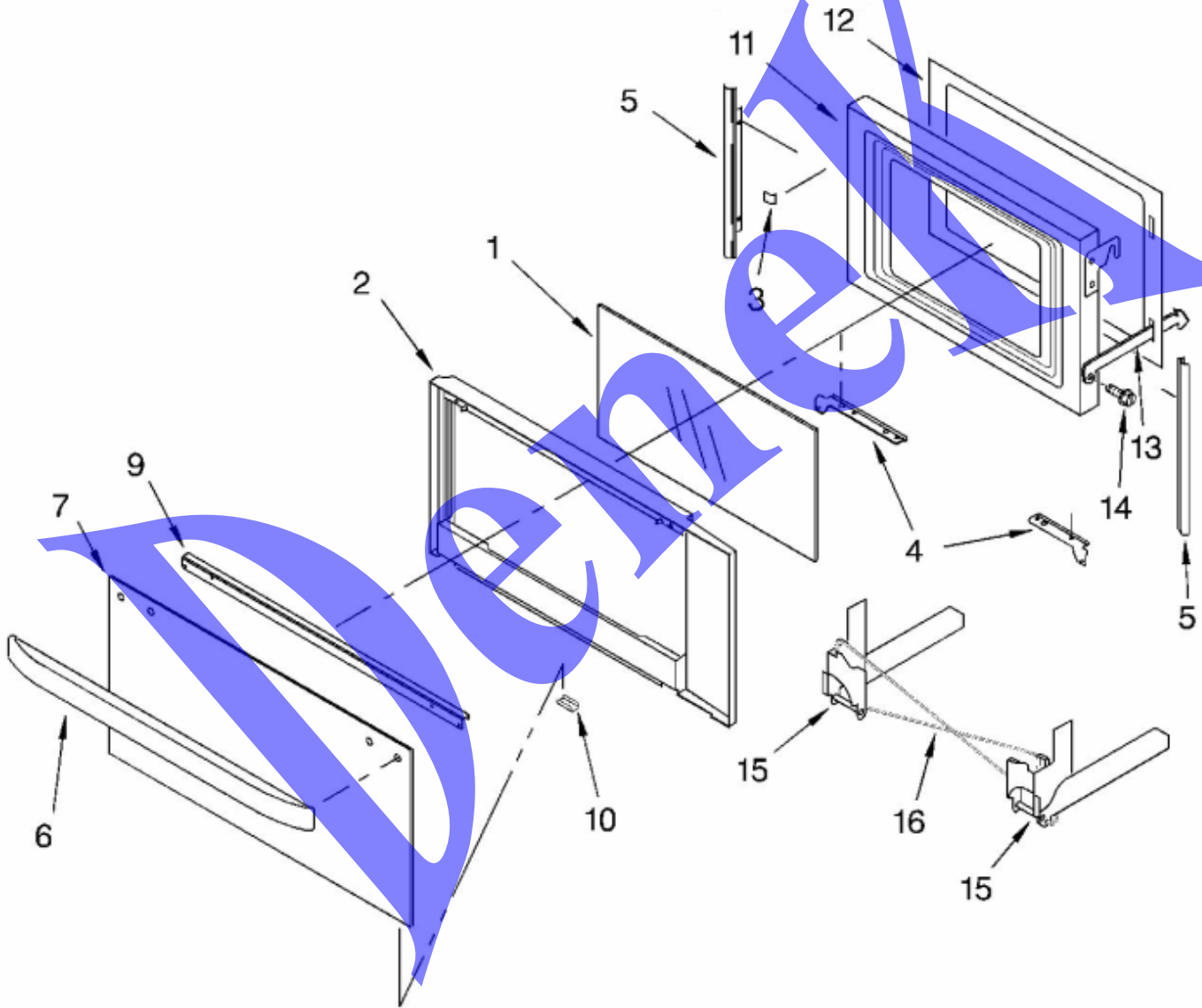
HORNO KITCHEN AID MOD. KEMC308KSS01

VENTILACION

| NUMERO | N.DE PARTE | DESCRIPCION |
|--------|------------|---------------------------|
| 1 | 4450378 | COVER, TOP |
| 1 | 4449809 | SCREW |
| 2 | 4448935 | BAFFLE, BLOWER |
| 2 | 1180485 | SCREW |
| 3 | 4450920 | BLOWER |
| 3 | 4449809 | SCREW |
| 4 | 4451789 | PLATE, MOUNTING |
| 5 | 6610122 | TRANSFORMER, (LIGHTS) |
| 5 | 4449809 | SCREW |
| 6 | 4451634 | EXHAUST DUCT |
| 7 | 4450027 | BRACKET, DUCT |
| 8 | 4449964 | GROMMET |
| 8 | 4449809 | SCREW |
| 8 | 112432 | NUT |
| 9 | 4454949 | HOLDER, FUSE |
| 9 | 4449154 | SCREW |
| 10 | 4454976 | FUSE |
| 11 | 4449868 | BLOCK, TERMINAL |
| 11 | 3400080 | SCREW |
| 12 | 4452559 | SIDE, COMBO |
| 12 | 4449809 | SCREW |
| 13 | 4456145 | VENT, (CONTROL PANEL) |
| 13 | 4450038 | SCREW |
| 14 | 4451597 | SIDE, CONTROL TOP (RIGHT) |
| 14 | 4451598 | SIDE, CONTROL TOP (LEFT) |
| 14 | 4449809 | SIDE, CONTROL TOP (SCREW) |
| 15 | 4452244 | BACK, CONTROL |
| 15 | 4449809 | SCREW |
| 16 | 4450551 | COVER, TOP REAR |
| 16 | 4449809 | SCREW |
| 17 | 4448664 | CLAMP |
| 17 | 4449809 | SCREW |
| 18 | 4452367 | COVER, TOP FRONT |
| 18 | 4449809 | SCREW |
| 19 | 4455038 | TRANSFORMER, CONTROL |
| 20 | 4452247 | COVER, PLATE |
| 20 | 4449809 | SCREW |
| 21 | 4451934 | SUPPRESSOR |

HORNO KITCHEN AID MOD. KEMC308KSS01

PUERTA DEL MICRO



HORNO KITCHEN AID MOD. KEMC308KSS01

PUERTA DEL MICRO

| NUMERO | N.DE PARTE | DESCRIPCION |
|--------|------------|----------------------------------|
| 1 | 4448937 | GLASS, MIDDLE |
| 2 | 4450946 | FRAME, DOOR |
| 2 | 4450038 | SCREW |
| 3 | 4450265 | TAPE, FOAM |
| 4 | 4449141 | BRACKET, MOUNTING (RIGHT SIDE) |
| 4 | 4449142 | BRACKET, MOUNTING (LEFT SIDE) |
| 4 | 4449809 | BRACKET, MOUNTING (SCREW) |
| 5 | 4449083 | FILLER, SIDE (RIGHT SIDE) |
| 5 | 4449086 | FILLER, SIDE (LEFT SIDE) |
| 5 | 4449809 | FILLER, SIDE (SCREW) |
| 6 | 4452502 | HANDLE, DOOR (BLACK) |
| 6 | 4452503 | HANDLE, DOOR (WHITE) |
| 6 | 4452871 | HANDLE, DOOR (BISCUIT) |
| 6 | 4452088 | HANDLE, DOOR (STAINLESS STEEL) |
| 7 | 4452211 | GLASS, OUTER (BLACK) |
| 7 | 4452789 | GLASS, OUTER (WHITE) |
| 7 | 4452995 | GLASS, OUTER (BISCUIT) |
| 7 | 4452259 | GLASS, OUTER (STAINLESS (ASSY)) |
| 9 | 4452331 | BRACKET, HANDLE |
| 9 | 3196184 | SCREW |
| 10 | 4450863 | RETAINER, GLASS-CLIP (BLACK) |
| 10 | 4450864 | RETAINER, GLASS-CLIP (WHITE) |
| 10 | 4451432 | RETAINER, GLASS-CLIP |
| 11 | 4375339 | DOOR, PLATE |
| 12 | 4375414 | FRAME, INNER |
| 13 | 4375330 | STRAP, DOOR |
| 14 | 4375313 | SCREW |
| 15 | 4375323 | HINGE, DOOR (LEFT) |
| 15 | 4375324 | HINGE, DOOR (RIGHT) |
| 16 | 4451009 | SPRING, TORSION |
| 31 | 72017 | PAINT, TOUCH-UP (1/2OZ.) (WHITE) |
| 32 | 261869 | PAINT, TOUCH-UP (1/2OZ.) |
| 33 | 72032 | PAINT, TOUCH-UP (1/2OZ.) (BLACK) |
| 34 | 350930 | PAINT, SPRAY (WHITE) |
| 35 | 261900 | PAINT, SPRAY (CITRINE WHITE) |
| 36 | 830864 | PAINT, SPRAY (BLACK) |
| 37 | | ADHESIVE |
| 38 | 591014 | ADHESIVE LOCTITE (1/3 OZ.) |
| 39 | 482338 | SEALER, SILASTIC (3 OZ.) |
| 40 | | SPLICING WIRES--25FT. LENGTH |
| 41 | 242828 | WIRE (12 GA. 150 C BLACK) |
| 42 | 242820 | WIRE (14 GA. 150 C BLACK) |
| 43 | 242821 | WIRE (14 GA. 150 C BLUE) |
| 44 | 242822 | WIRE (14 GA. 150 C BROWN) |
| 45 | 242830 | WIRE (14 GA. 200 C BROWN) |
| 46 | 242823 | WIRE (14 GA. 150 C GREEN) |
| 47 | 242824 | WIRE (14 GA. 150 C ORANGE) |
| 48 | 242829 | WIRE (12 GA. 150 C RED) |
| 49 | 242825 | WIRE (14 GA. 150 C RED) |
| 50 | 242831 | WIRE (14 GA. 200 C RED) |
| 51 | 242826 | WIRE (14 GA. 150 C WHITE) |
| 52 | 242827 | WIRE (14 GA. 150 C YELLOW) |
| 53 | 242832 | WIRE (14 GA. 200 C YELLOW) |
| 54 | | FOLLOWING PARTS NOT ILLUSTRATED |
| 55 | 4378944 | FILLER KIT (BL) |
| 56 | 4378945 | FILLER KIT (WH) |
| 57 | 4378946 | FILLER KIT (AL) |
| 58 | | WIRING HARNESS PARTS |
| 59 | 8301909 | HARNESS, LATCH |
| 60 | 4452400 | LEAD, GROUND |
| 61 | 4449809 | SCREW |
| 62 | 8301923 | HARNESS, MAIN |
| 63 | 4450831 | GROUND (M/W) |
| 64 | 4450800 | SCREW, GROUND |
| 65 | 4449809 | SCREW |
| 66 | 4450950 | CONDUIT, COMBO |
| 67 | 313438 | CLIP, HARNESS |
| 68 | 4452222 | SPACER, HARNESS |
| 69 | 4454835 | TIE, CABLE |
| 70 | | MISCELLANEOUS |
| 71 | 4448950 | SCREW, INSTALL (4) |
| 72 | 814381 | HINGE PIN KIT |