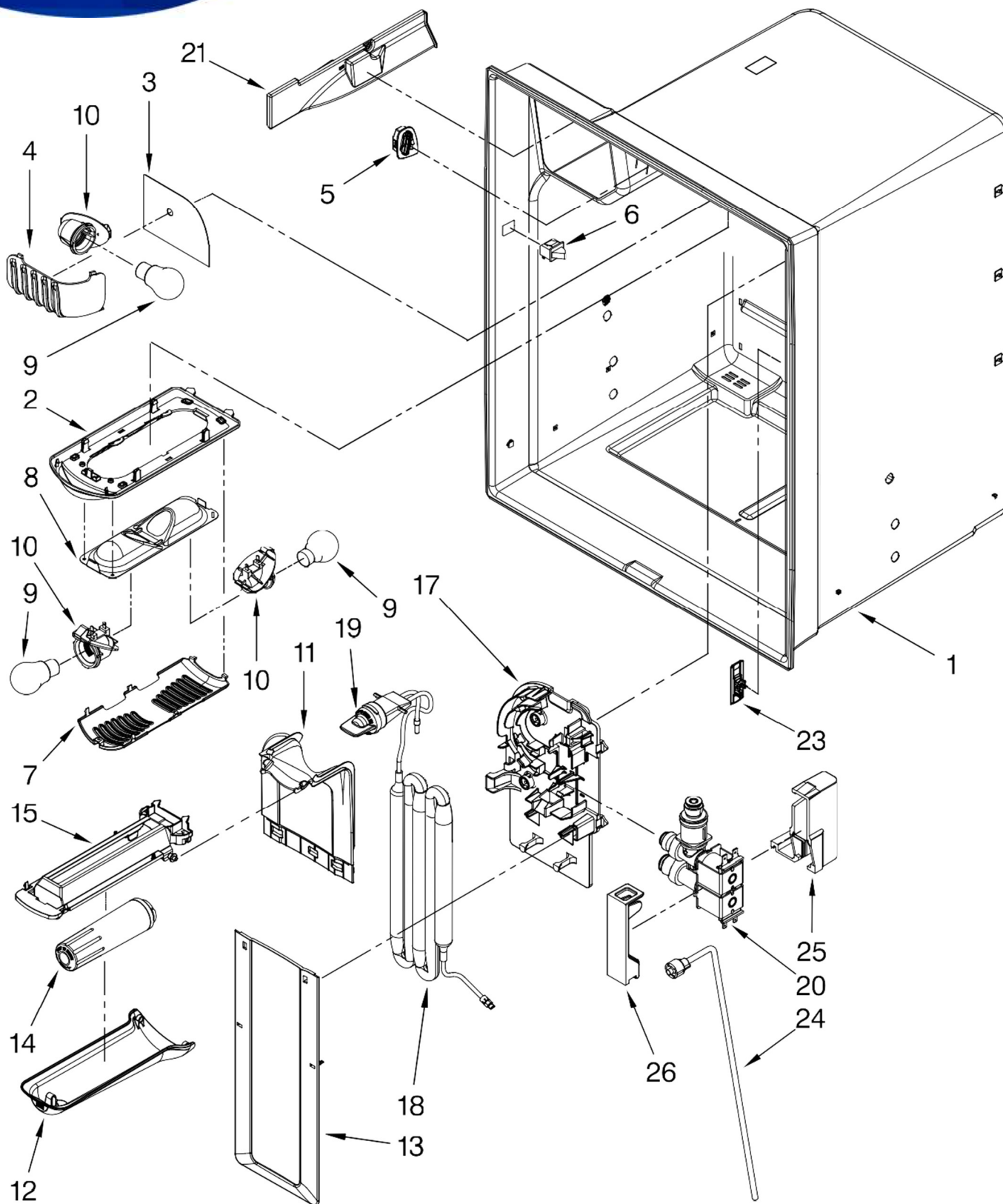


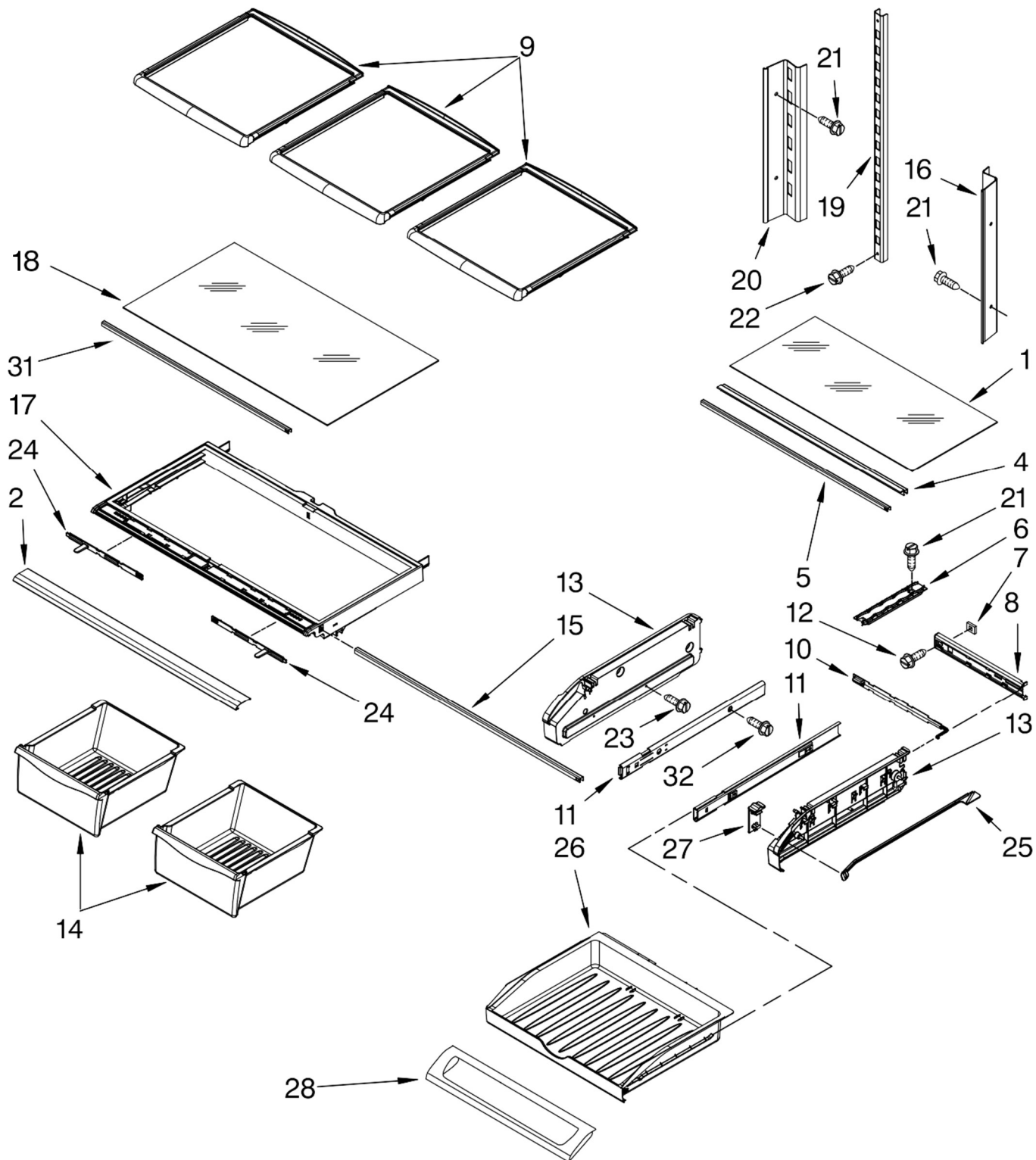
Illus. No.	Part No.	DESCRIPTION
1		Literature Parts
	W10325347	Tech Sheet
	12828191SP	Use & Care Guide
	W10202397	Guide, Energy
2	12961401	Tube W/Waterline, Fill-IM
3	12698403	Block, Pivot
4	B5759655	Gasket, MC Back
5		Cover, Top Hinge (Right)
	12962302B	Black
	12962302W	White
	12962302AP	Apollo Grey
6		Cover, Fill Tube
	12981401B	Black
	12981401W	White
	12981401AP	Apollo Grey
7	12961602	Cover, Control Box
8	M0108107	Clamp, Tube
9	12992602	Screw, Hinge Cover
10	12963205ED	Hinge, Top Right
11	12992201	Screw, Center Hinge

Illus. No.	Part No.	DESCRIPTION
12	12990511	Screw (3)
13		Cover, Top Hinge (Left)
	12962301B	Black
	12962301W	White
	12962301AP	Apollo Grey
14	12992403	Screw, Top Hinge
15		Hinge, Center (RT)
	13000002WD	White
	13000008ED	Black
	13000002AP	Apollo Grey
16	12957601	Box, HV Control
17		Cover, Corner (2)
	12587703W	White
	12587703B	Black
	12587703AP	Apollo Grey
18	12963204ED	Hinge, Top Left
19		Roller Assy. (Front)
	W10275849	Right
	W10275850	Left
20	12991302	Screw (8)

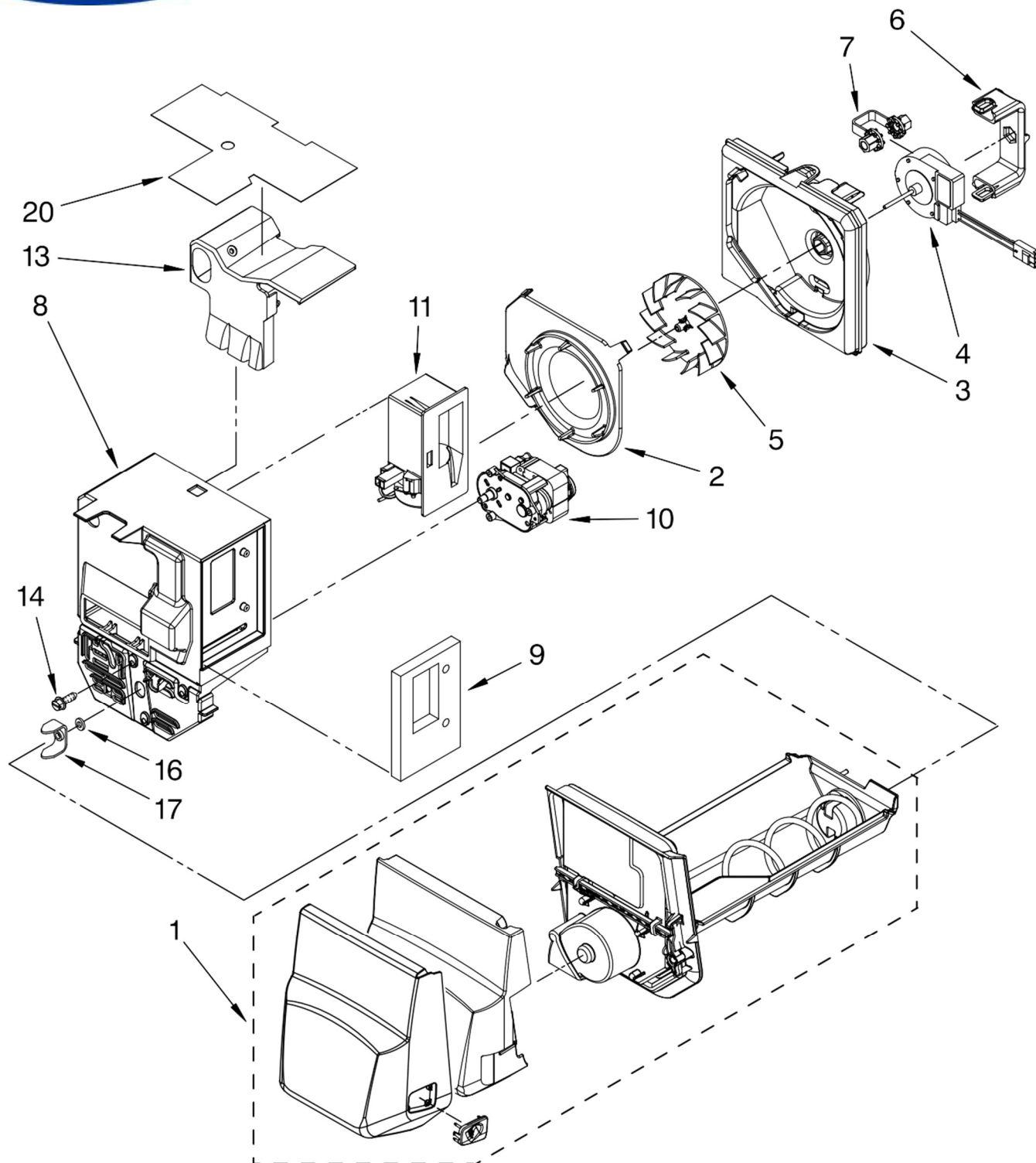
Illus. No.	Part No.	DESCRIPTION
21		Shim, Top Hinge
	12999501	Left
	12999502	Right
22		Grille, Toe
	W10244559	White
	W10244561	Black
	W10244558	Apollo Grey
23	12957701	Lid, HV Control
24		Hinge, Center (LT)
	13000001WD	White
	13000007ED	Black
	13000001AP	Apollo Grey
25	12990702	Screw, Cover
26		Cabinet (Not A Servicable Part)
28	12990302	Screw, Block
29	12957801	Gasket, HV Control
30	W10270394	Cover, MC Back
31	W10210988	Tube, Drain
33	12820505	Fiber, Acoustic
34	W10141622	Brake, Foot
35	W10312695	Board, HV Control



<b>Illus. No.</b>	<b>Part No.</b>	<b>DESCRIPTION</b>
1		Liner (Not A Serviceable Part)
2	12905803	Module, Light
3	12691605	Foil, Light
4	12921801	Cover, Light
5	13008201	Grille, Air
6	12466103	Switch, Light (2)
7	12905902	Cover, Light
8	12806601V	Housing, Light
9	2255743	Bulb, Light
10	12570701	Socket, Light
11	12960101	Cover, Water Tank (Upper)
12	12960301	Lid, Water Filter
13	12960001	Cover, Water Tank (Lower)
14	UKF8001AXX	Filter, Water
15	12955901	Bracket, Filter Base
17	12956001	Bracket, Water Tank & Valve
18	W10273376	Water Tank & Head Assembly
19	12664501SP	Plug, Bypass
20	W10312696	Valve, Water Inlet
21	13033601	Cover, Ice Box Harness
23	12987301	Cover, Chiller Vent
24	W10328203	Waterline, Cabinet (W/Nut)
25	W10118193	Enclosure, Water Valve Connector
26	W10118194	Lid, Enclosure

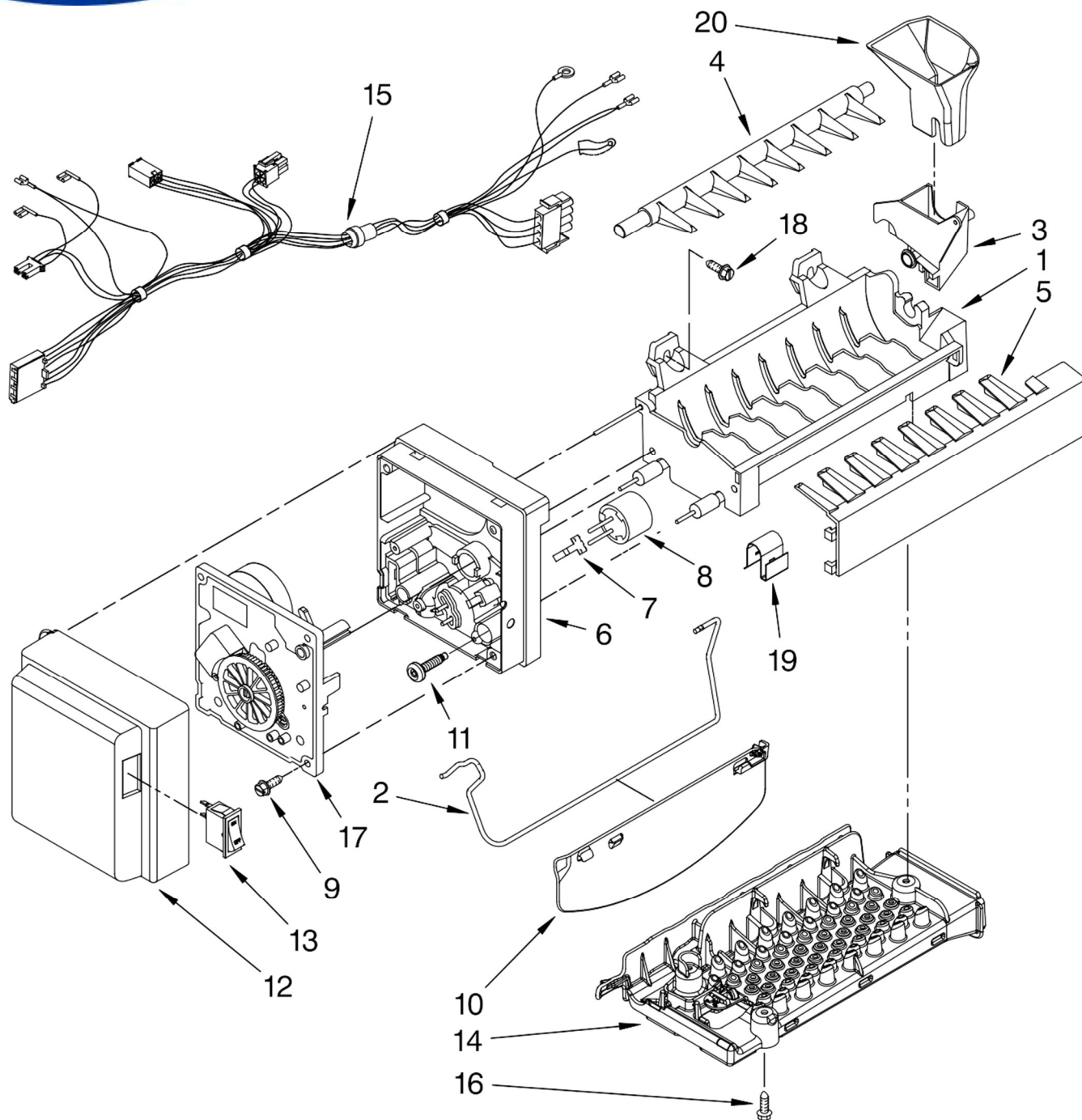


Illus. No.	Part No.	DESCRIPTION
1	12204829	Glass, Pantry
2	W10231486	Trim, Crisper
4	12655902SP	Support, Pantry(2)
5	12227305WD	Brace, Pantry (2)
6	12531901	Track, Pantry
7	12656901	Gasket, Pantry
8	12656202	Housing, Control
9	12463912	Shelf, Glide (3)
10	12655402	Slide, Temperature
11	W10235370	Glide, Drawer (2)
12	12990513	Screw
13		Endcap, Pantry
	12656105	Left
	12656021	Right
14	12531105SP	Pan, Crisper (2)
15	12227305WD	Support, Crisper Cover
16	W10251967	Ladder, Side RH
17	12531202SP	Frame, Crisper
18	12204821	Glass, Crisper Cover
19	W10273464	Ladder, Center
20	W10251966	Ladder, Side LH
21	12990513	Screw
22	12990515	Screw
23	12990512	Screw
24	12530805SP	Slide, Humidity Control
25	12655303	Bar, Temperature Control
26	12655702	Drawer, Pantry
27	12655204V	Knob, Temperature Control
28	12656817	Lid, Pantry Drawer Crisper Frame
31	12227304WD	Brace, Crisper
32	12990504	Screw



<b>Illus. No.</b>	<b>Part No.</b>	<b>DESCRIPTION</b>
1	W10324088	Ice Bin Assembly (Includes Auger)
2	W10121282	Inlet, Blower
3	W10121281	Scroll, Blower
4	W10162697	Motor, Fan
5	W10123444	Wheel, Blower
6	12956603SP	Clip, Fan Motor
7	W10151687	Grommet, Fan Motor
8	W10331711	Divider, Ice Box
9	12920001SP	Gasket, Damper
10	12955405	Motor, Auger
11	W10127427	Damper, Control
13	W10118612	Liner, Divider
14	12990511	Screw (3)
16	420107A700	Washer
17	63052A001	Yoke, Ice Dispenser
20	W10142628	Foil, Ice Box





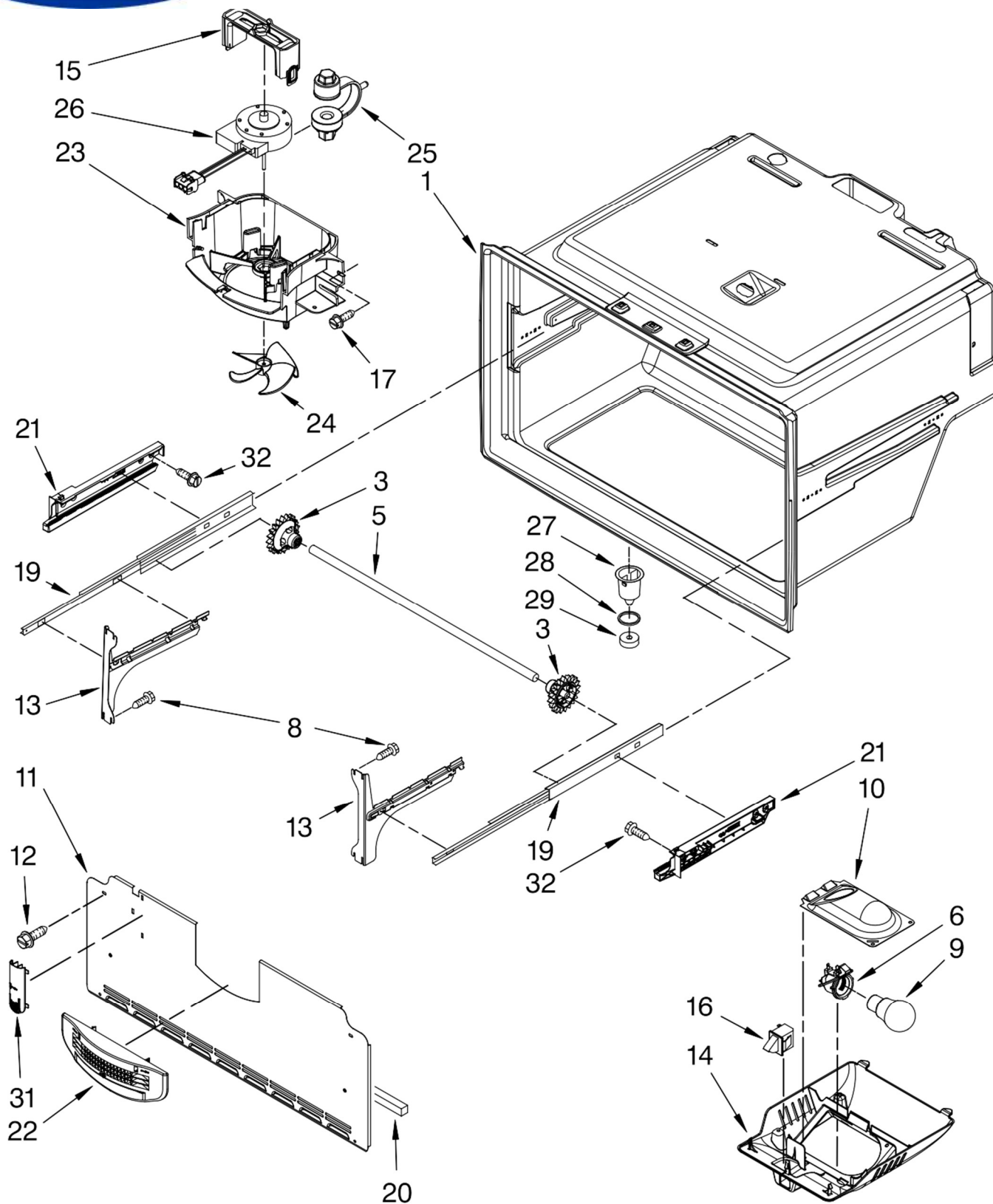
<b>Illus. No.</b>	<b>Part No.</b>	<b>DESCRIPTION</b>
1	W10300025	Mold & Heater Assembly (Also Order 542638 Grease)
2	W10175514	Arm, Shutoff
3	W10327050	Cup, Fill
4	W10318914	Ejector
5	W10122563	Ice Stripper
6	2194712	Support, Housing
7	2315522	Retainer, Thermostat
8	628532	Thermostat (Also Order 542369 Cement)
9	W10001240	Screw (3)
10	W10121440	Extension, Shutoff Arm
11	8533917	Screw (2)
12	W10121444	Cover
13	2313326	Switch, On-Off
14	W10312691	Impinger Assy.
15	W10312698	Harness, Icemaker
16	12990511	Screw, Impinger
17	626691	Module Assembly
18	W10001240	Screw (3)
19	628379	Clip
20	W10121434	Insert, Fill Cup
100	W10300024	Icemaker Assembly

---

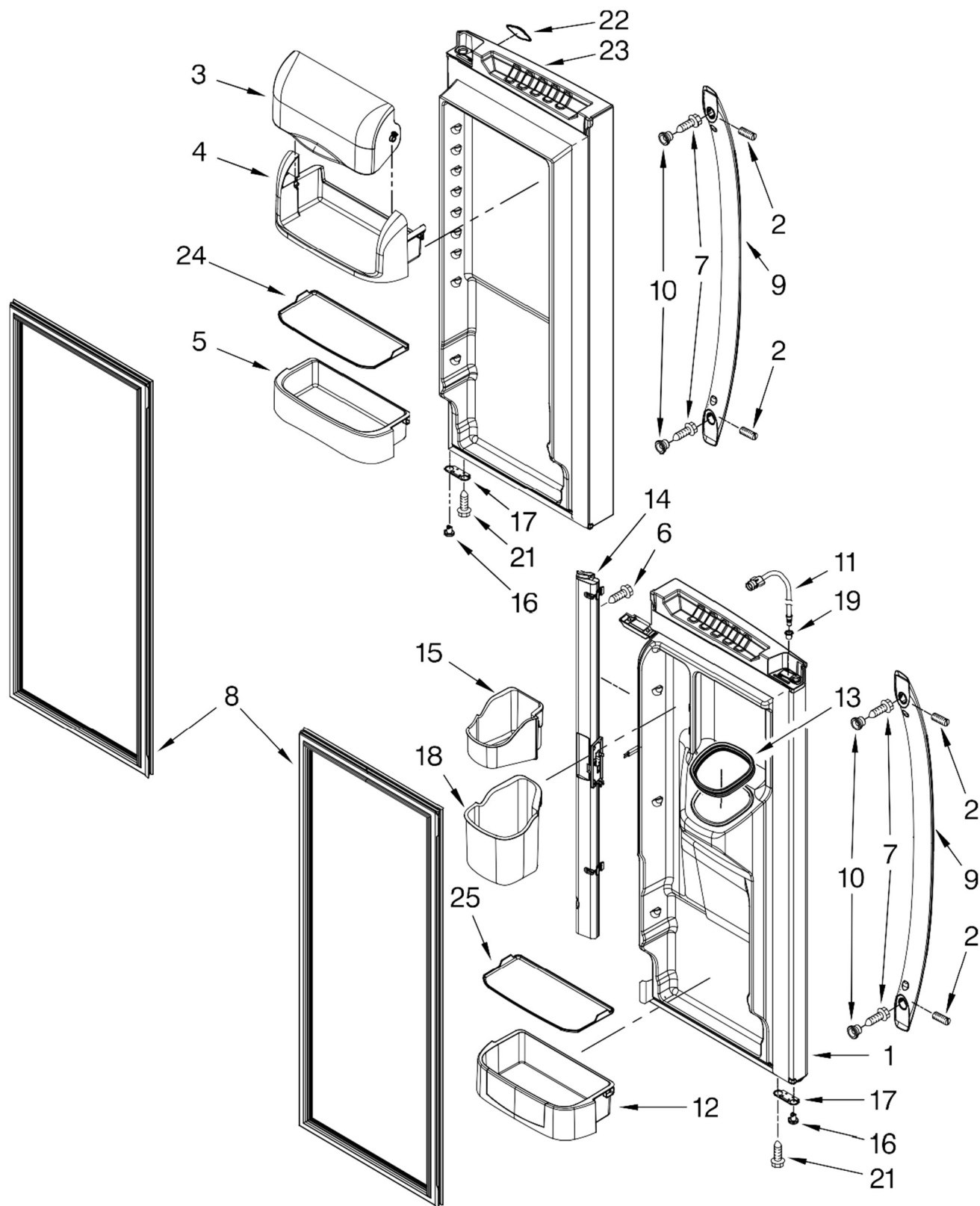
Following Parts Not Illustrated

---

10244904SP Coupling



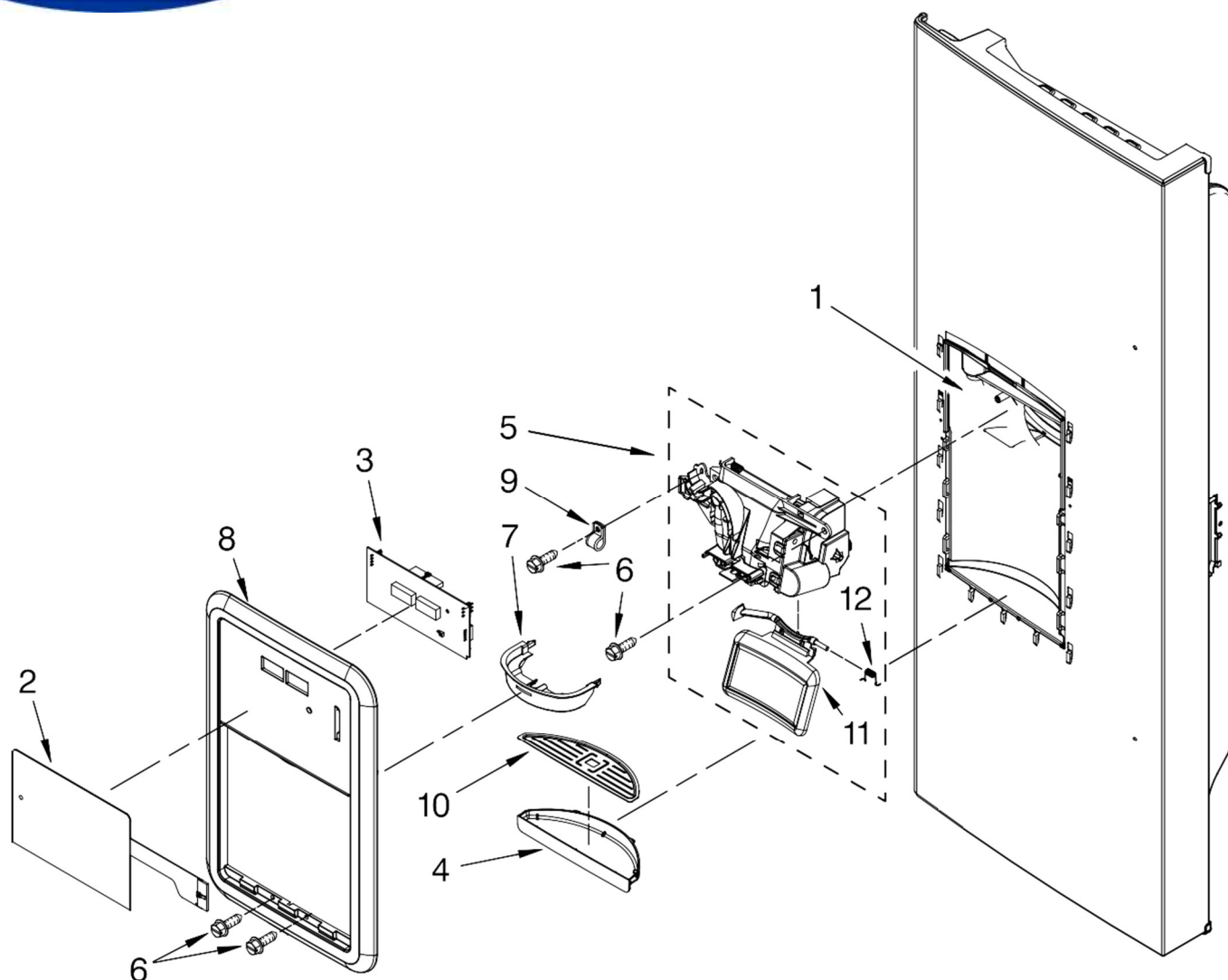
Illus. No.	Part No.	DESCRIPTION
1		Liner (Not A Serviceable Part)
3	12002497	Gear (Includes Both)
5	12812903WD	Shaft, Rack
6	12570701	Socket, Light
8	12990521	Screw, Bracket
9	2255743	Bulb, Light
10	12476401SP	Housing, Light
11	W10308421	Cover, Evap
12	12990511	Screw
13		Bracket, Door Slide
	W10119064	Left
	W10119295	Right
14	13027902SP	Module, Freezer Light
15	12956601	Clip, Fan Motor
16	12466111SP	Switch, Rocker
17	12990504	Screw, Fan Shroud To Basket
19	13055901	Slide, Drawer (2)
20	A3189397	Gasket, Foam
21		Adapter
	W10284688	Left
	W10284689	Right
22	12959901	Grille, Air
23	12951401	Shroud, Evap Fan
24	12986101	Blade, Fan (Evaporator)
25	12951101	Grommet, Fan Motor (2)
26	W10162809	Motor, Evaporator Fan
27	D7753903	Funnel, Drain
28	M0500703	Seal, O Ring
29	B8381501	Gasket, Drain Tube
31	12815301	Cover, Thermistor
32	12990501	Screw, Adapter



Illus. No.	Part No.	DESCRIPTION
1		Door, Left
	12978040W	White
	12978040B	Black
	12978067S	Stainless
2	W10287054	Screw, Set
3	12804701SP	Door, Dairy
4	12369502SP	Tray, Dairy
5	W10119841	Bin, Shelf (Medium)
6	12990204	Screw
7	W10290759	Screw, Handle
8		Gasket, Door
	W10163896	White
	W10163898	Black
	W10163991	Apollo Grey
9		Handle, Door
	W10314515	White
	W10314516	Black
	W10314517	Stainless

Illus. No.	Part No.	DESCRIPTION
10	13001201	Mount, Handle
11	12962106	Waterline, Door
12	W10119846	Bin, Shelf (Gallon)
13	W10287601	Seal, Ice Chute
14		Mullion, Door
	12722813W	White
	12722813B	Black
	12722813AP	Apollo Grey
15	12977401	Bucket, Dispenser (Upper)
16		Closure, Door
	12028505W	White
	12028505B	Black
	12028505AP	Apollo Grey
17		Stop, Door
	12968202W	White
	12968202B	Black
	12968202AP	Apollo Grey

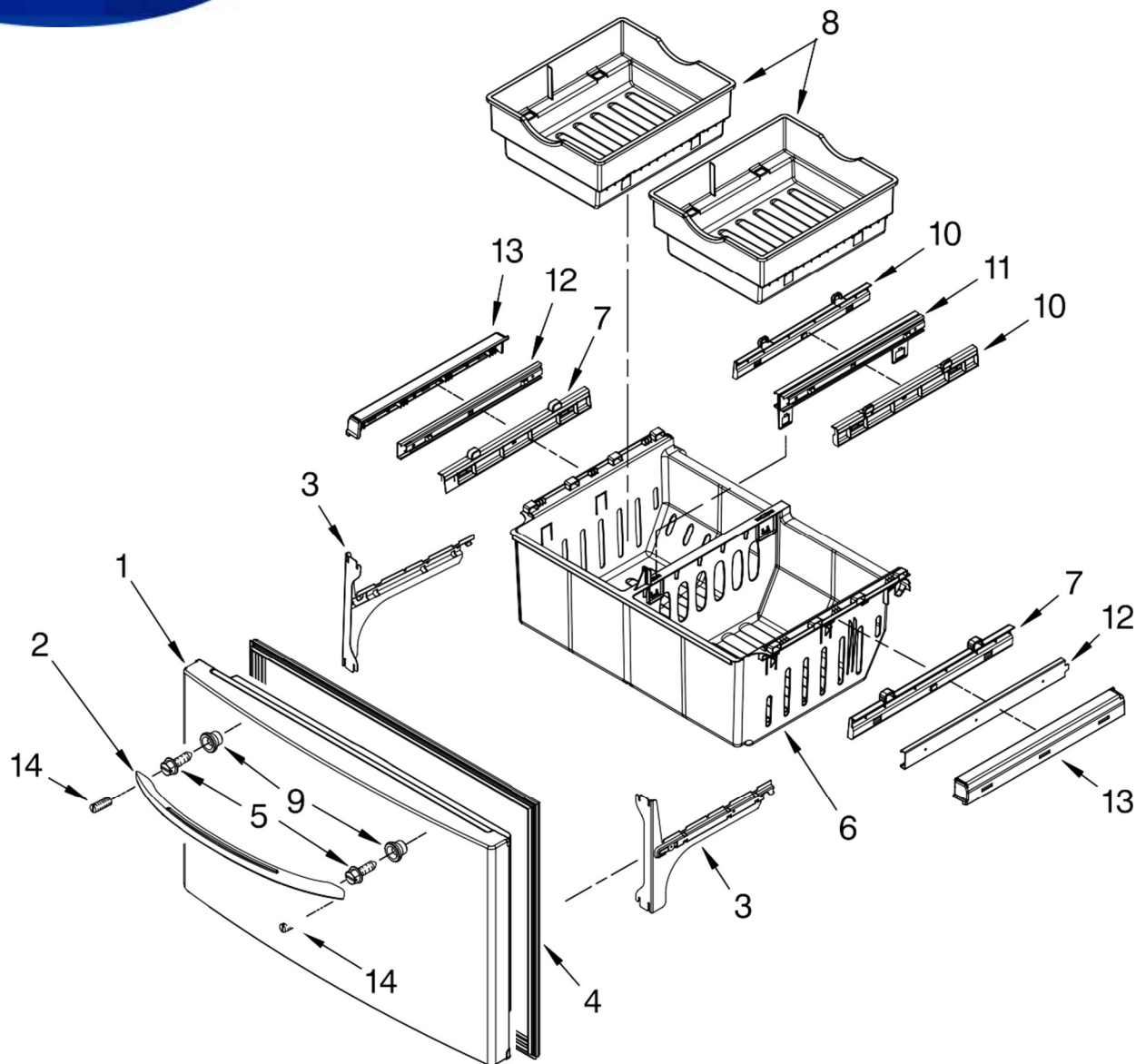
Illus. No.	Part No.	DESCRIPTION
18	12977501	Bucket, Dispenser (Lower)
19	12996601	Clip, Bushing Wire (Left Door)
21	12990521	Screw
22		Nameplate
	W10243393	(White)
	W10243392	(Black)
	W10243391	(Stainless)
23		Door, Right
	12978017W	White
	12978017B	Black
	12978065S	Stainless
24	W10184031	Gripper, Medium
25	W10184032	Gripper, Gallon



Illus. No.	Part No.	DESCRIPTION
1		Housing, Dispenser (Not Serviced)
2	W10180050	Dispenser Keyboard
3	13053103SP	Board, L.V.
4		Sump, Dispenser
	W10184826	White
	W10184827	Black
	W10187366	Stainless

Illus. No.	Part No.	DESCRIPTION
5		Chute, Ext/Yoke (Includes Switch)
	13005703W	White
	13005703B	Black
	13005705	Midnight Grey (Dark)
6	12990513	Screw
7	12958301	Ring, Target
8		Facade, Dispenser
	W10183198	White
	W10184486	Black
	W10188790	Apollo Grey

Illus. No.	Part No.	DESCRIPTION
9	M0108106	Clamp, Tube
10	W10187370	Grille, Sump
11		Yoke/Pad Assy.
	W10170831	White
	W10170832	Black
	W10185233	Midnight Grey (Dark)
12	12565502	Spring

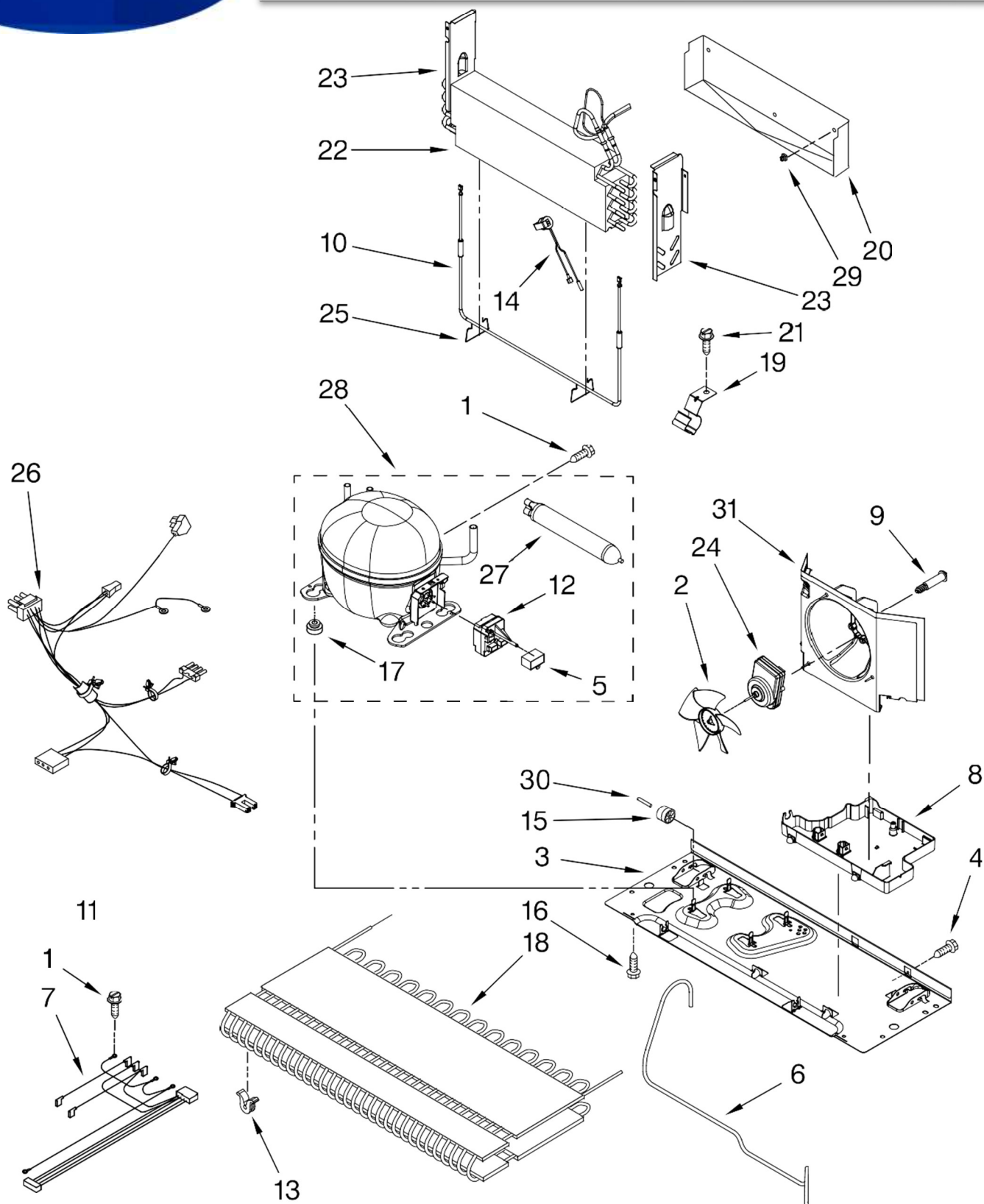


Illus. No.	Part No.	DESCRIPTION
1		Freezer Door
	12	White
	12	Black
	12	Stainless
2		Handle, Door
	W1	White
	W1	Black
	W1	Stainless
3		Bracket, Door Slide
	W1	Left
	W1	Right

Illus. No.	Part No.	DESCRIPTION
4		Gasket, Door
	W10164043	White
	W10164044	Black
	W10164045	Apollo Grey
5	W10290759	Screw, Handle
6	13002801SP	Bin, Lower
7	13002603SP	Adapter, Bin (Outer)
8	13002402	Bin, Upper

Illus. No.	Part No.	DESCRIPTION
9	13001201	Mount, Handle
10	13002604SP	Adapter, Bin (Inner)
11	12969702	Bracket/Glide Assembly
12	12925102	Glide, Upper
13		Retainer, Glide
	13002702SP	Right
	13002701SP	Left
14	W10287054	Screw, Set





Illus. No.	Part No.	DESCRIPTION
1	12992301	Screw
2	12825803	Blade, Fan
3	W10210985	Basepan
4	12990511	Screw
5	2264017	Capacitor
6	W10217747	Tube, Discharge
7	W10257095	Harness, Evap. Heater
8	W10296785	Pan, Drain
9	W10216919	Screw, Shoulder
10	12729123	Heater, Defrost
11	W10204187	Strap, Bale
12	W10197428	Start Device
13	W10137529	Grommet, Cond (4)
14	12639311SP	Thermostat, Defrost
15	12477102	Roller (2)
16	12992101	Screw
17	10835903SP	Grommet (4)

Illus. No.	Part No.	DESCRIPTION
18	W10135026	Condenser
19	W10281329	Clip, Drier
20	W10292803	Tray, Drip
21	12990701	Screw
22	12959803	Evaporator
23		Dam
	12963102SP	Right Side
	12963002SP	Left Side
24	W10239053	Motor, Fan
25	10428101	Clip, Heater
26	W10234027	Harness, Unit with Power Cord
27	W10143759	Drier
28	W10134623	Compressor (Includes items 11,12,17,27)
29	10623002	Clip, Evaporator
30	12477202	Axle, Roller (2)
31	W10189184	Shroud

Illus. No.	Part No.	DESCRIPTION
------------	----------	-------------

Following Parts Not Illustrated and Optional Parts Not Included

978025	Valve, Access (1/4")
978026	Valve, Access (5/16")
978027	Valve, Access (3/8")
978028	Valve, Access (1/2")
978029	Valve, Access (5/8")
978030	Valve, Access (3/4")
876764	Valve, Access (3/16")

### REFRIGERANT CHARGE

5.25 Ozs.  
(R-134A)

# OPTIONAL PARTS (NOT INCLUDED)

For Models: KFIS20XVWH2, KFIS20XVBL2, KFIS20XVMS2

(White) (Black) (Monochromatic  
Stainless)

Illus. No.	Part No.	DESCRIPTION	Illus. No.	Part No.	DESCRIPTION	Illus. No.	Part No.	DESCRIPTION
Parts Not Illustrated and Optional Parts (Not Included)			<b>Miscellaneous</b>			<b>TORX SCREW WRENCH</b>		
			212643		Sealer, Gum (4 Feet)	1117510		Torx Key
			479502		Tape, Vinyl (3/4 x 108")			
			876370		Kit, Insulation (2 Pcs. x 3" x 24" X 48")			
			876305		Kit, Insulation (14 Pcs. x 3" x 24" x 48")			
			978941		Insulation, Fiberglass (63-1/2" x 35-1/2" X 2-5/8)			
			876029		Kit, Foam Slab (30" x 32-1/2" x 1-1/2")			
			505587		Sealer, Mastic (1 Qt.)			
			503695		Cork, Sealer (1/4 Pound)			
			2000008		Cleaner, Strls Steel Magic			
			542638		Grease, Silicone (1/2 Oz.)			
			542639		Cement, Alumilastic (1-1/4 Oz.)			
			606755		Bag, Insulation (36-5/8" x 46")			
			833938		Kit, Terminal Connector			
			67007112		Ice Container Assembly			
<b>Customer Touch-Up Material</b>								
	*350942	Primer, White (13 Oz. Spray Can)						
	*350939	Enamel, Black (13 Oz. Spray Can)						
	*350930	Enamel, White (13 Oz. Spray Can)						
	22002901	Enamel, Bisque (12 OZ. Spray Can)						
	22002900	Enamel, Bisque (.6 OZ. Bottle)						
	72017	Brush Touch-Up Kit (White)						
	72032	Brush Touch-up kit (Black)						
* <b>Important:</b> The spray paint is not to be used where the paint may make contact with the door gaskets.								
<b>Refinishing Material</b>								
	799340	Enamel, Black (1 Qt. Uncut)						
	799344	Enamel, White (1 Qt. Uncut)						