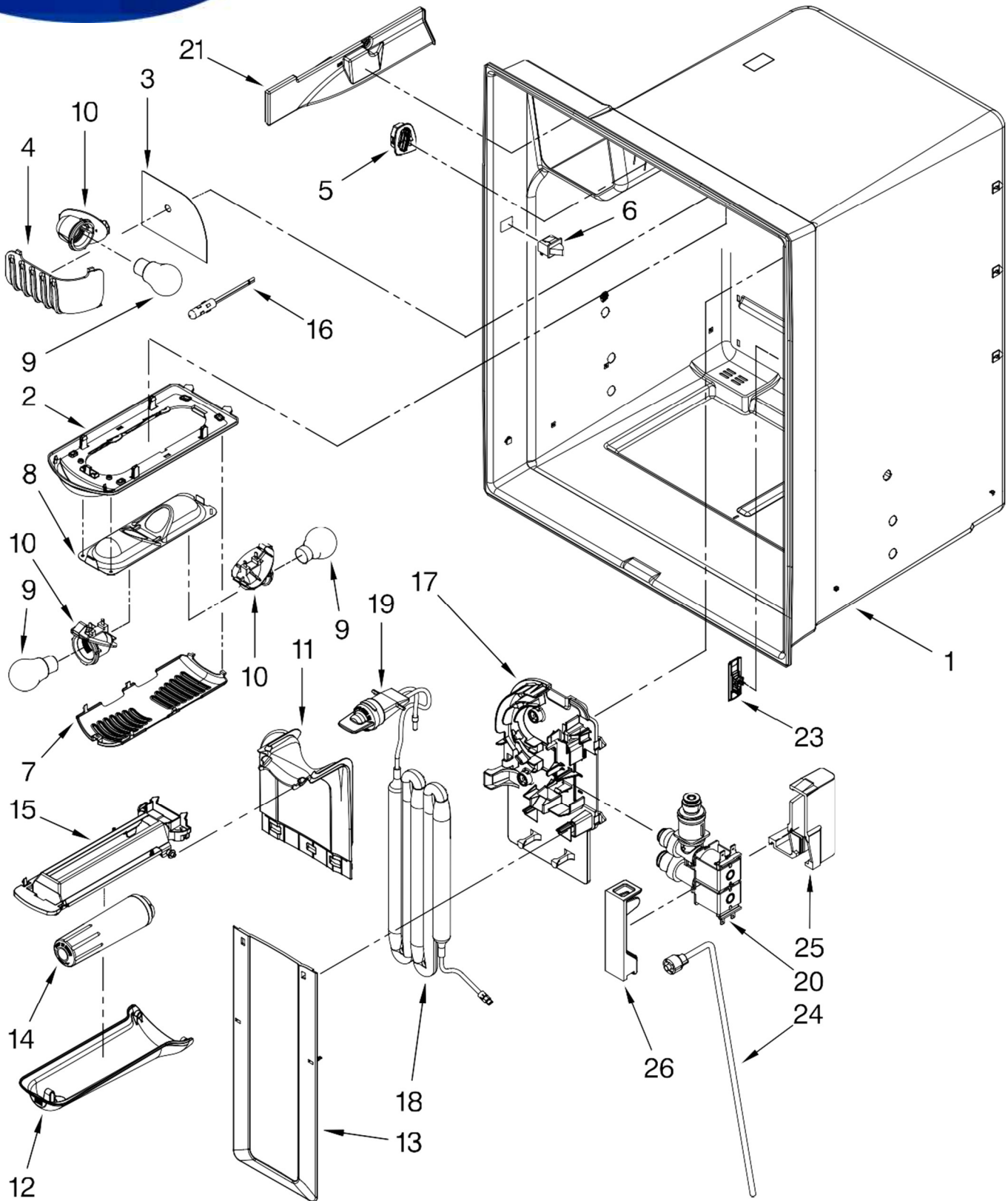
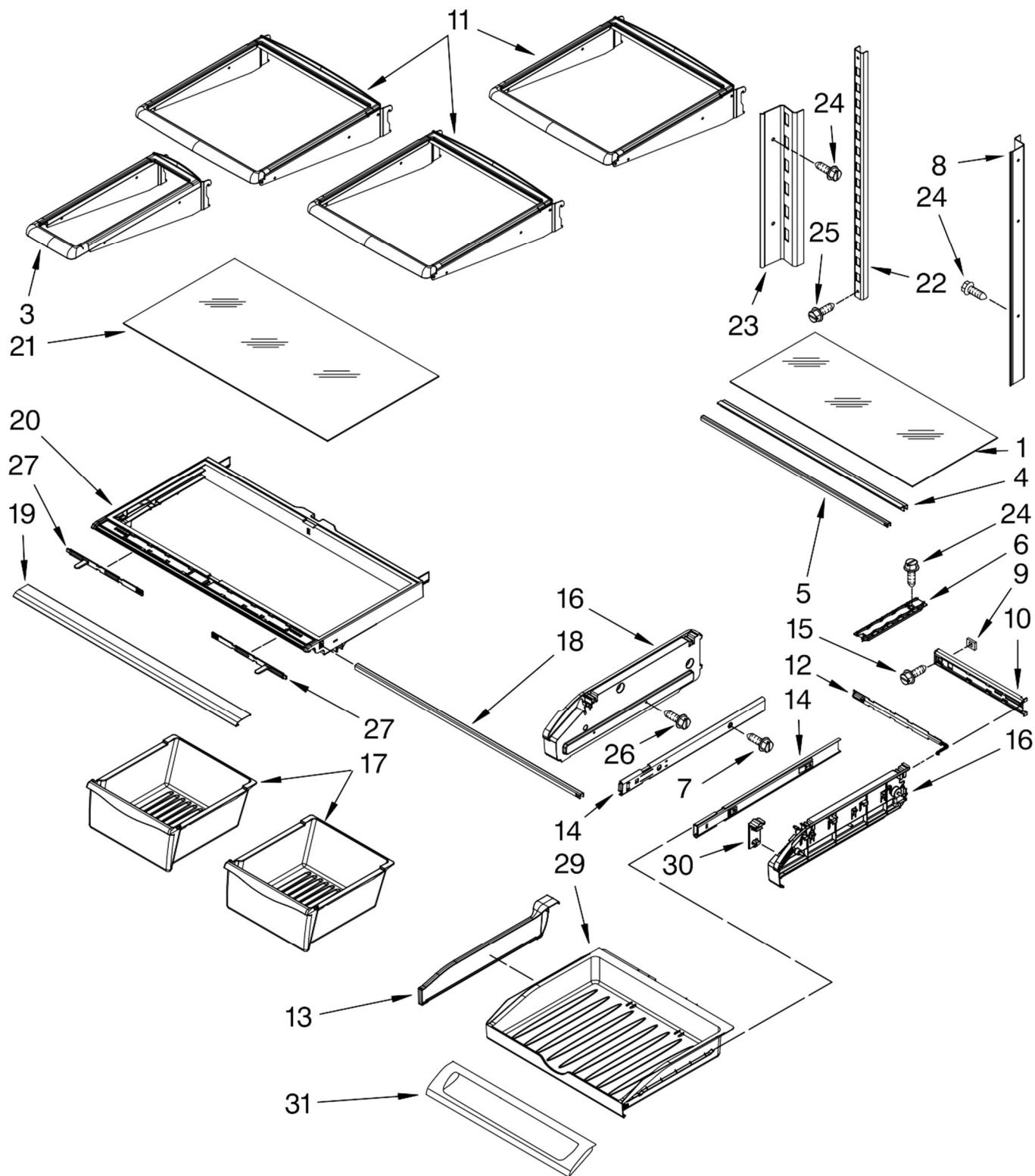


Illus. No.	Part No.	DESCRIPTION	Illus. No.	Part No.	DESCRIPTION	Illus. No.	Part No.	DESCRIPTION
1		Literature Parts	13		Cover, Top Hinge (Left)	25	12990702	Screw, Cover
	W10189628	Tech Sheet		67005951	Black	26		Roller Assemblies
	12828191SP	Use & Care Guide		67005953	White		W10130459	RH
	W10202397	Tag, Energy		W10191116	Apollo Grey		W10130460	LH
2	67006317	Tube W/Waterline, Fill-IM	14	67006303	Screw, Top Hinge	27	67006426	Cover, Water Valve
3	67003405	Block, Pivot	15		Hinge, Center (RT)	28	67006626	Screw, Block
4	B5759649	Gasket, MC Back		67006379	White	29	67006429	Gasket, HV Control
5	67006425	Screw (3)		67006443	Black	30	12575101ED	Cover, MC Back
6		Cover, Fill Tube		W10191143	Apollo Grey	31	W10164397	Tube, Drain
	67006320	Black	16	67006390	Box, HV Control	32	W10157973	Clip, Drain Tube
	67006321	White	17		Cover, Corner (2)	33	67003796	Fiber, Acoustic
	W10191141	Apollo Grey		67003484	White	34	W10141622	Brake, Foot
7	67006427	Cover, Control Box		67003485	Black	35	W10191108	Board, HV Control
8	M0108105	Clamp, Tube		W10191102	Apollo Grey	36		Cabinet (Not a Servicable Part)
9	67006521	Screw, Hinge Cover	18	12963204ED	Hinge, Top Left	37		Cover, Top Hinge (Right)
10	12963205ED	Hinge, Top Right	21		Shim, Top Hinge		67005956	Black
11	67006380	Screw, Center Hinge		67006308	Left		67005958	White
				67006309	Right		W10191117	Apollo Grey
			22		Grille, Toe			
				W10131134	Black			
				W10131133	White			
				W10120000	Apollo Grey			
			23	67006428	Lid, HV Control			
			24		Hinge, Center (LT)			
				67006277	White			
				67006442	Black			
				W10191142	Apollo Grey			



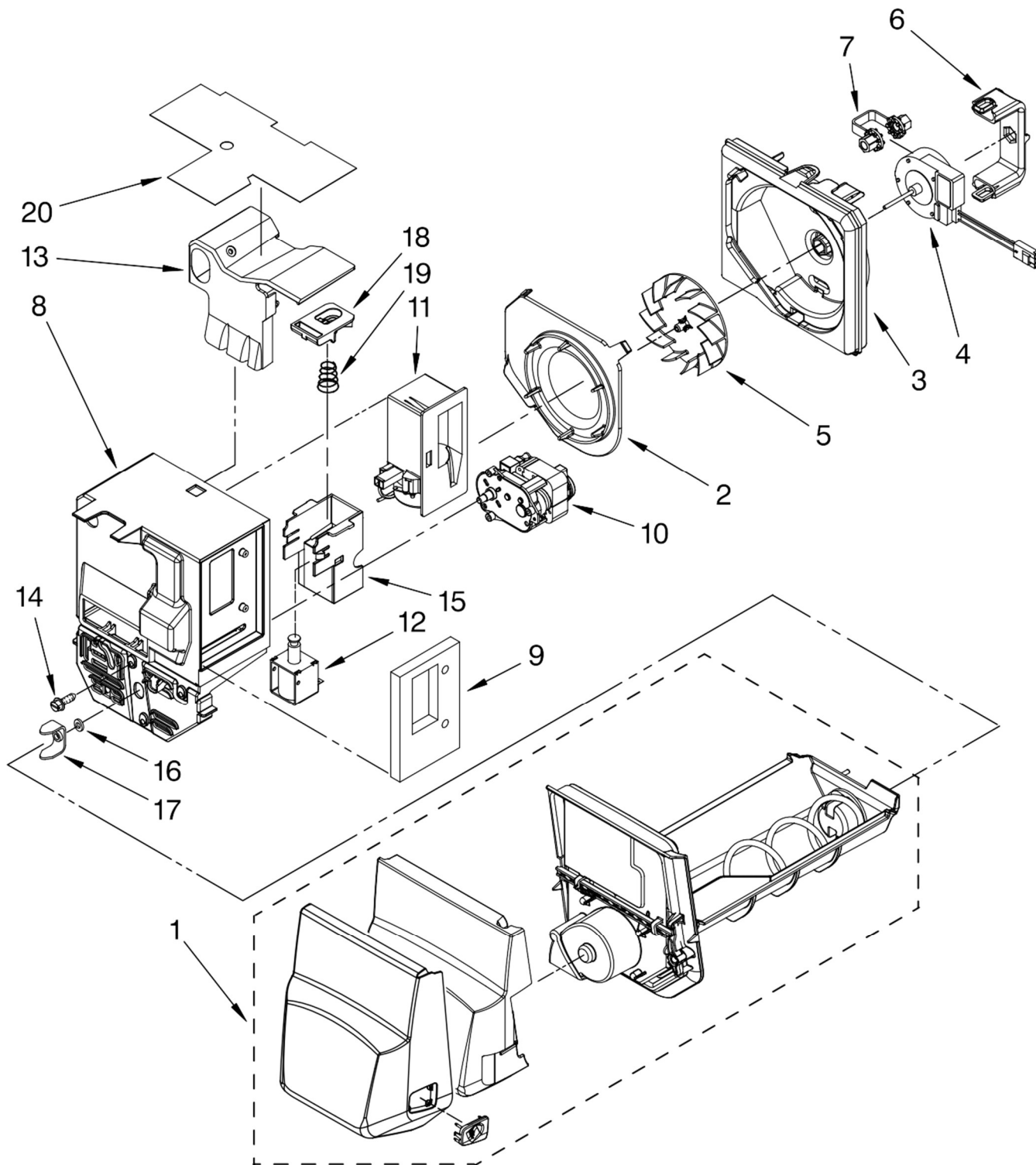
Illus. No.	Part No.	DESCRIPTION
1		Liner (Not A Serviceable Part)
2	67006328	Module, Light
3	67006326	Foil, Light
4	67006327	Cover, Light
5	67006316	Grille, Air
6	12466103	Switch, Light (2)
7	67006318	Cover, Light
8	67003901	Housing, Light
9	A0282812	Bulb, Light
10	Y12570701	Socket, Light
11	67006330	Cover, Water Tank (Upper)
12	67006331	Lid, Water Filter
13	67006329	Cover, Water Tank (Lower)
14	UKF8001AXX	Filter, Water
15	67006325	Bracket, Filter Base
16	12002355	Thermistor
17	67006324	Bracket, Water Tank & Valve
18	12956202	Water Tank & Head Assembly
19	12664501	Plug, Bypass
20	67006322	Valve, Water Inlet
21	12960403SP	Cover, Ice Box Harness
23	67006319	Cover, Chiller Vent
24	67006970	Waterline, Cabinet (W/Nut)
25	W10118193	Enclosure, Water Valve Connector
26	W10118194	Lid, Enclosure



Illus. No.	Part No.	DESCRIPTION
1	67002332	Glass, Pantry
3	W10187463	Shelf, Mini (Stationary)
4	67006010	Extr, Glass Support (2)
5	67002330	Brace, Pantry (2)
6	67001719	Track, Pantry
7	67006287	Screw
8		Ladder, Side
	67006354	LH
	67007115	RH
9	67002329	Gasket, Pantry

Illus. No.	Part No.	DESCRIPTION
10	67005625	Housing, Control
11	12463912	Shelf, Glide (2)
12	67003793	Slide, Temperature
13	67002321	Divider, Pantry Drawer
14	67007026	Glide, Drawer (2)
15	67006400	Screw
16		Endcap, Pantry
	67005862	Left
	67005860	Right
17	W10143396	Pan, Crisper (2)
18	67002488	Brace, Crisper Cover
19	67005675	Trim, Crisper
20	12724013	Frame, Crisper
21	67006655	Glass, Crisper Cover

Illus. No.	Part No.	DESCRIPTION
22	67006358	Ladder, Center
23	67006354	Ladder, Side
24	67006400	Screw
25	67006360	Screw (2)
26	67006415	Screw
27	67005864	Slide, Humidity Control
29	67003530	Drawer, Pantry
30	67003791	Knob, Temperature Control
31	67005930	Door, Pantry Drawer

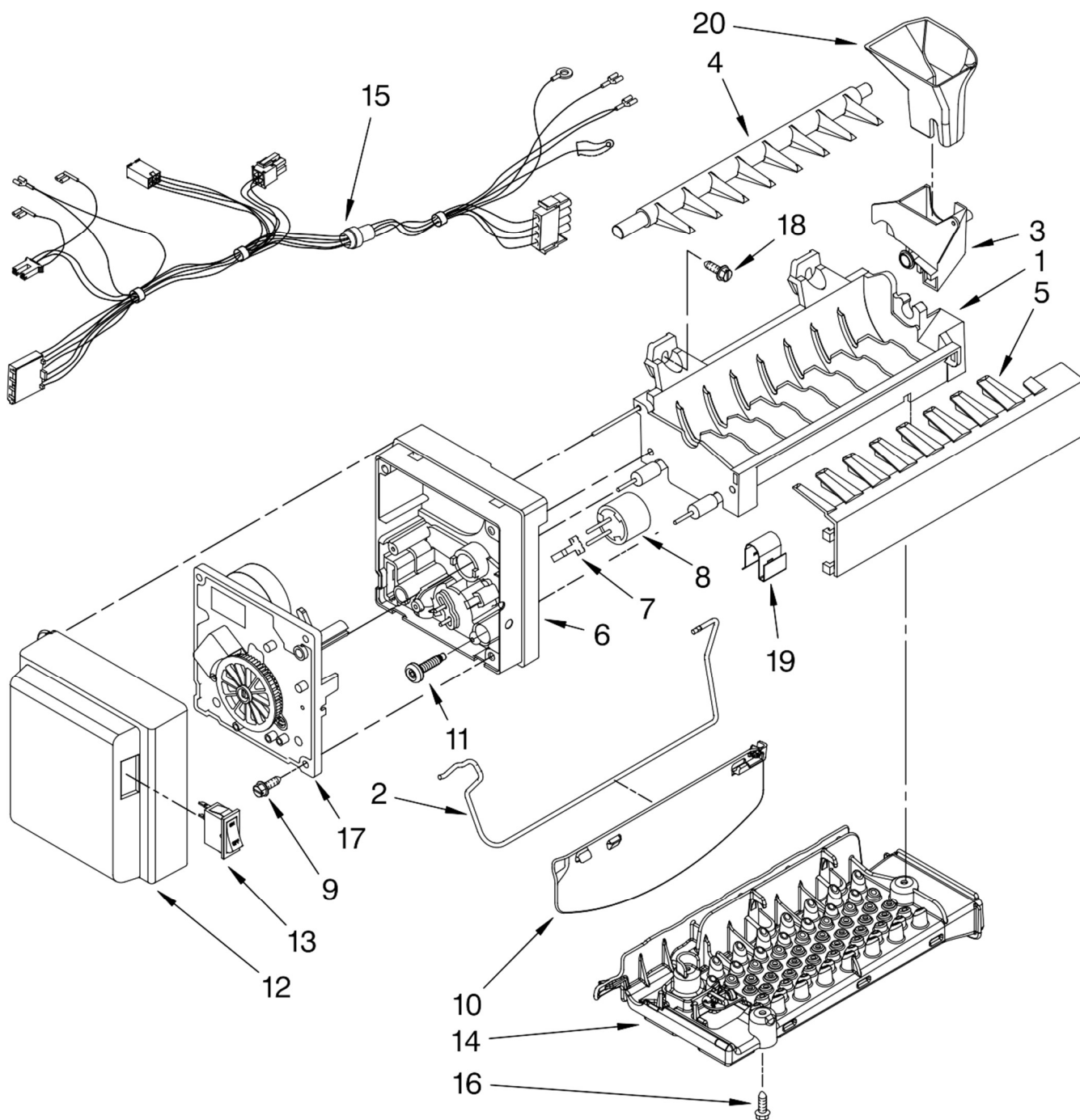


FOR ORDERING INFORMATION REFER TO PARTS PRICE LIST

BENITO JUÁREZ #1500 GPE ZITON, CD. GUADALUPE NUEVO LEÓN TEL: 8183377999 Y 49
HORARIOS: LUNES A VIERNES 8:30 A 6:00 PM Y SÁBADOS DE 8:30 A 2:00 PM

www.denek.com

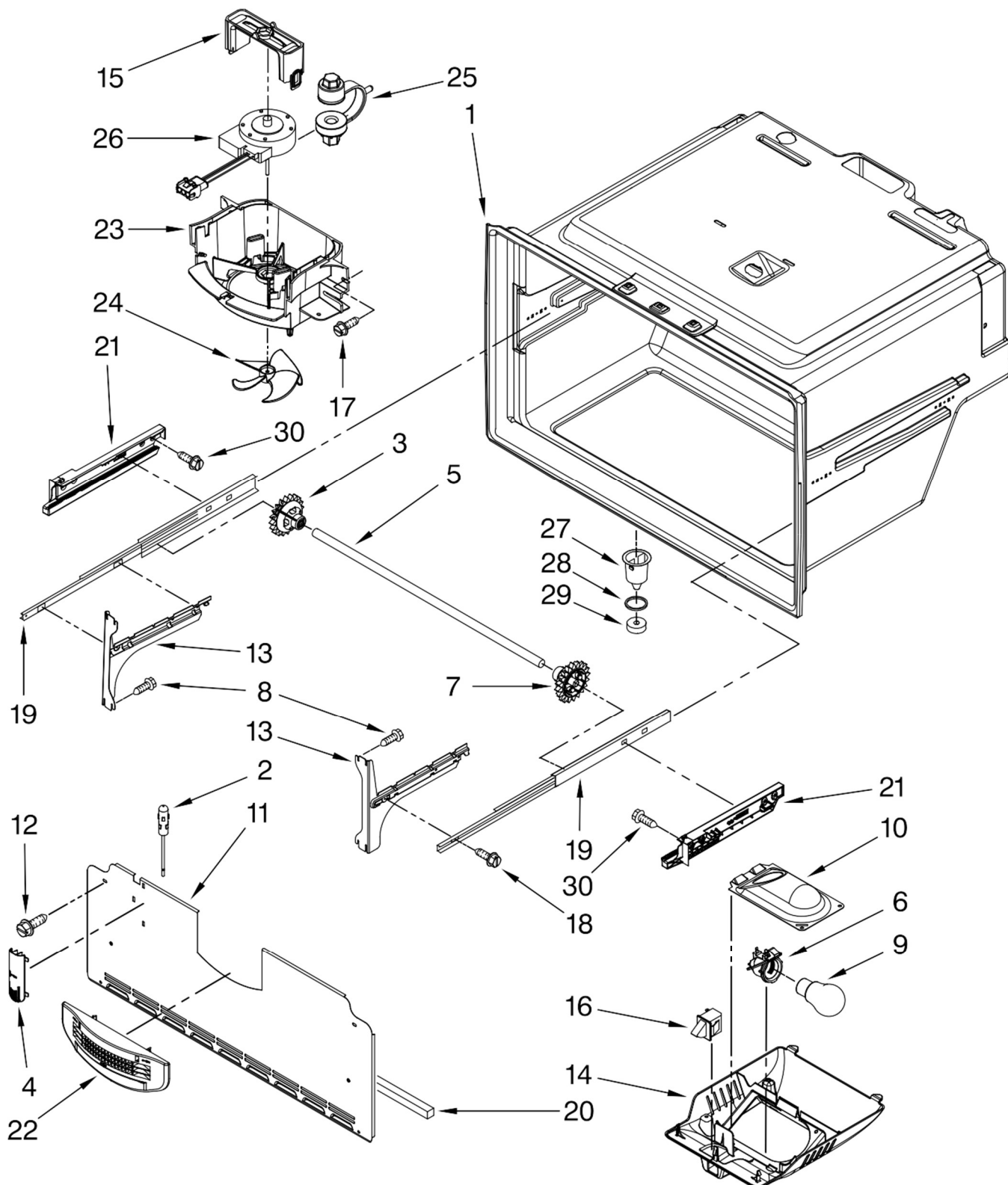
Illus. No.	Part No.	DESCRIPTION
1	13012608	Ice Bin Assembly (Includes Auger)
2	W10121282	Inlet, Blower
3	W10121281	Scroll, Blower
4	W10162697	Motor, Fan
5	W10123444	Wheel, Blower
6	W10165970	Clip, Fan Motor
7	W10151687	Grommet, Fan Motor
8	W10187440	Divider, Ice Box
9	67006341	Gasket, Damper
10	67006342	Motor, Auger
11	W10127427	Damper, Control
12	67006344	Solenoid
13	W10118612	Liner, Divider
14	67006425	Screw (3)
15	67007111	Bracket, Solenoid
16	67006346	Washer
17	63052-1	Yoke, Ice Dispenser
18	67006347	Yoke, Solenoid
19	67006348	Spring, Solenoid
20	W10142628	Foil, Ice Box



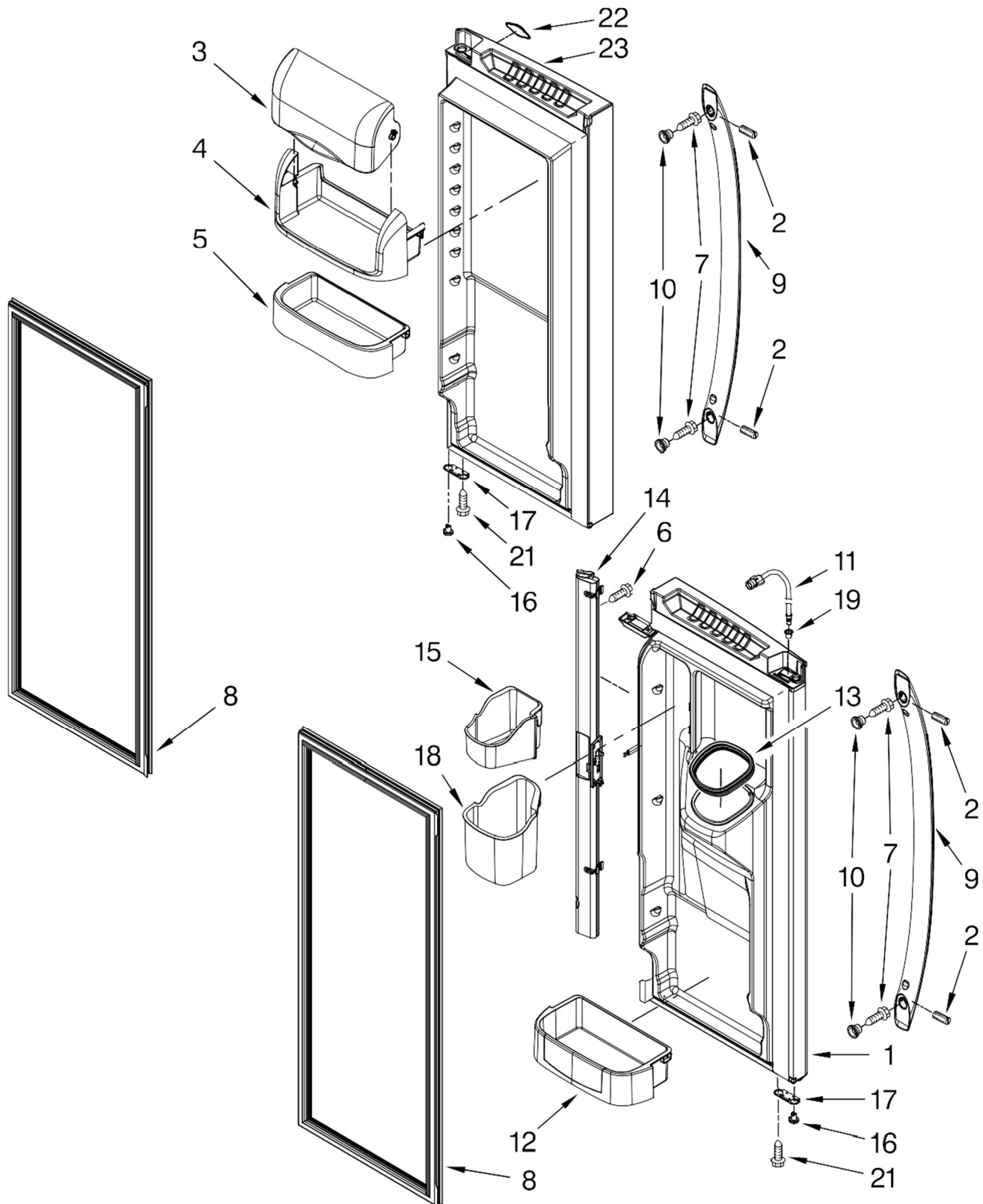
Illus. No.	Part No.	DESCRIPTION
1	W10122527	Mold & Heater Assembly (Also Order 542638 Grease)
2	W10175514	Arm, Shutoff
3	628515	Cup, Fill
4	627843	Ejector
5	2182124	Ice Stripper
6	2194712	Support, Housing
7	2315522	Retainer, Thermostat
8	627985	Thermostat (Also Order 542369 Cement)
9	489464	Screw (3)
10	W10121440	Extension, Shutoff Arm
11	8533917	Screw (2)
12	W10121444	Cover
13	2313326	Switch, On-Off
14	W10121269	Impinger Assy.
15	W10123395	Harness, Icemaker
16	67006425	Screw, Impinger
17	626678	Module Assembly
18	489276	Screw (3)
19	628379	Clip
20	W10121434	Insert, Fill Cup
100	W10122533	Icemaker Assembly

Following Parts Not Illustrated

10244904 Coupling



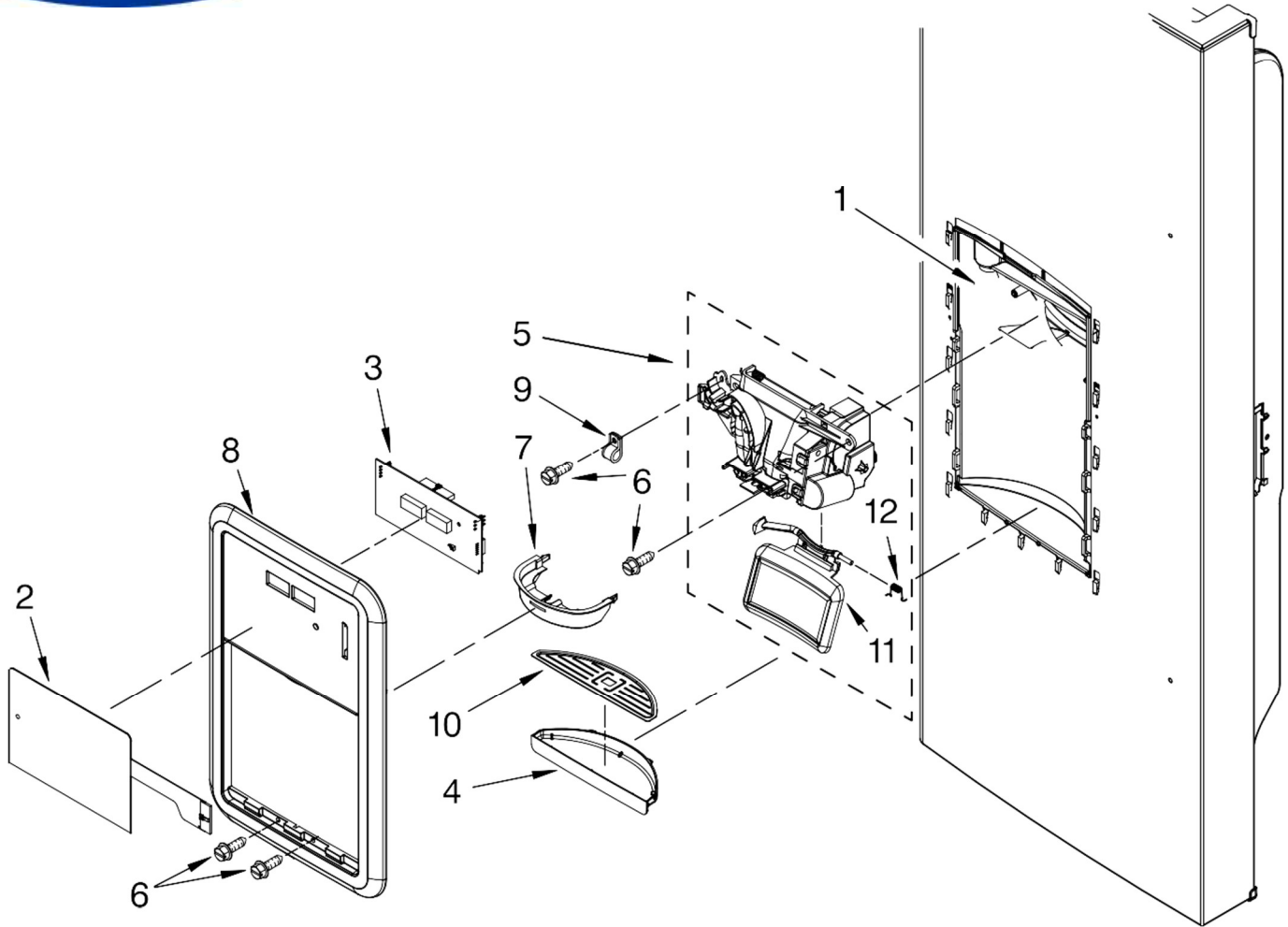
Illus. No.	Part No.	DESCRIPTION
1		Liner (Not A Serviceable Part)
2	12002355	Thermistor Kit
3	12002497	Gear (Left) (Incl. #7)
4	67003924	Cover, Thermistor
5	67004017	Shaft, Rack
6	Y12570701	Socket, Light
7	12002497	Gear, (Right) (Incl. #3)
8	67006473	Screw, Bracket (6)
9	A0282812	Bulb, Light
10	67001035	Housing, Light
11	67006383	Cover, Evap
12	67006425	Screw
13		Bracket, Door Slide
	W10119064	Left
	W10119295	Right
14	67006423	Module, Freezer Light
15	67006338	Clip, Fan Motor
16	67006422	Switch, Rocker
17	67006287	Screw, Fan Shroud
18	67006769	Screw, Slide To Basket
19	W10180420	Slide, Drawer (2)
20	67003731	Gasket, Foam
21		Adapter
	W10184173	Left
	W10184175	Right
22	67006382	Grille, Air
23	67006424	Shroud, Evap Fan
24	67006337	Blade, Fan (Evaporator)
25	67006339	Grommet, Fan Motor (2)
26	W10162809	Motor, Evaporator Fan
27	D7753903	Funnel, Drain
28	M0500703	Seal, O Ring
29	B8381501	Gasket, Drain Tube
30	67006406	Screw Adapter



Illus. No.	Part No.	DESCRIPTION
1		Door, Left
	12978040WQ	White
	12978040BQ	Black
	12978040SQ	Stainless
2	W10010140	Screw, Set
3	67003637	Door, Dairy
4	67001279	Tray, Dairy
5	W10184033	Bin, Shelf (Medium) (Includes Gripper #W10184031)
6	67006786	Screw
7	67006901	Screw, Handle
8		Gasket, Door
	W10163896	White
	W10163898	Black
	W10163991	Apollo Grey

Illus. No.	Part No.	DESCRIPTION
9		Handle, Door
	W10119642	White
	W10119643	Black
	W10119644	Stainless
10	67006113	Mount, Handle
11	12962106	Waterline, Door
12	W10184034	Bin, Shelf (Gallon) (Includes Gripper #W10184032)
13	67007108	Seal, Ice Chute
14		Mullion, Door
	W10164404	White
	W10164405	Black
	W10191104	Apollo Grey
15	W10187453	Bucket, Dispenser (Upper)
16		Closure, Door
	67003638	White
	67003639	Black
	W10191100	Apollo Grey

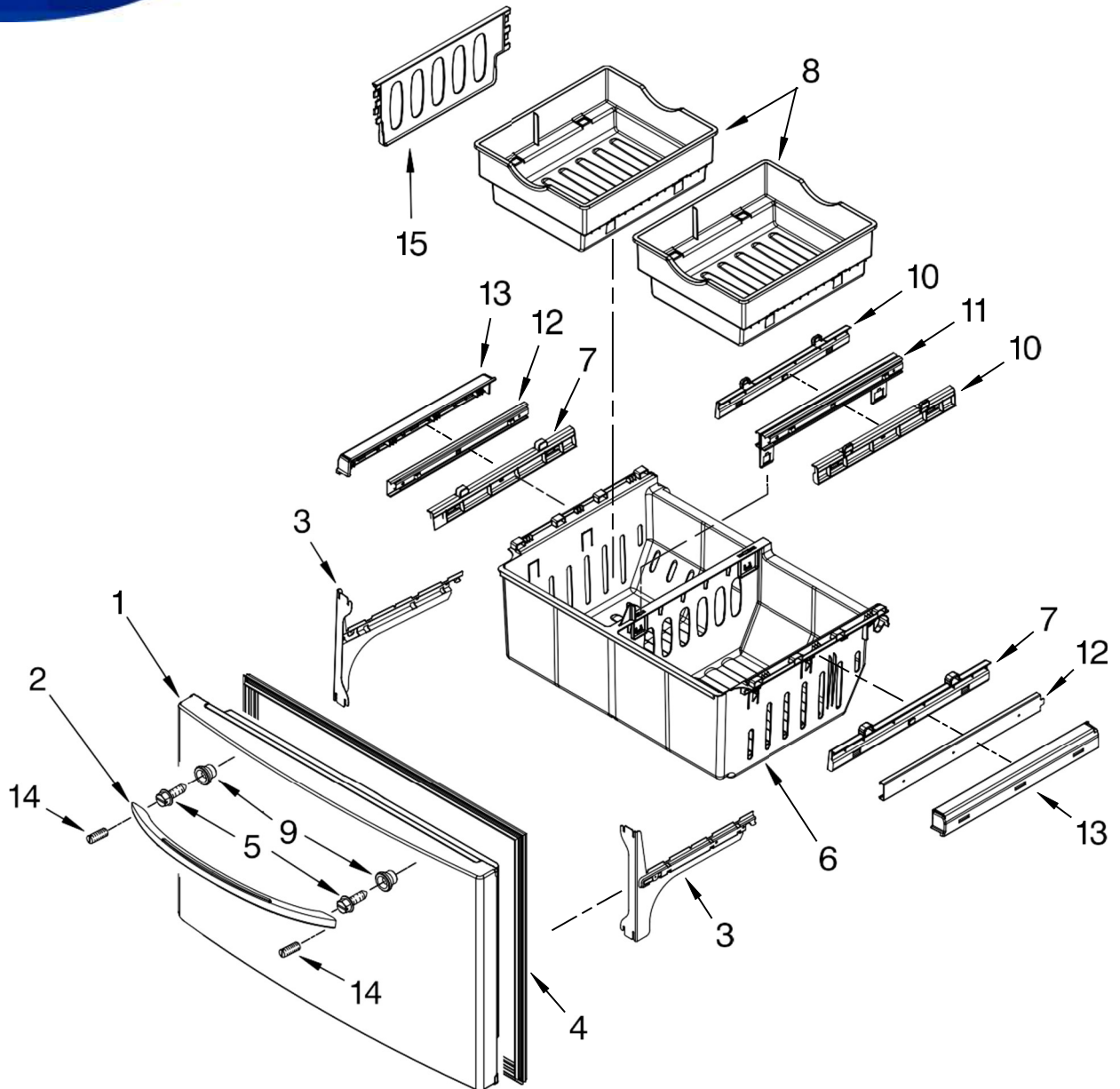
Illus. No.	Part No.	DESCRIPTION
17		Stop, Door
	12968202W	White
	67007011	Black
	W10191119	Apollo Grey
18	W10187454	Bucket, Dispenser (Lower)
19	67005954	Clip, Bushing Wire (Left Door)
21	67006473	Screw
22		Nameplate (White)
	W10046670	(White)
	W10046640	(Black)
	W10046610	(Stainless)
23		Door, Right
	12978017WQ	White
	12978017BQ	Black
	12978039SQ	Stainless



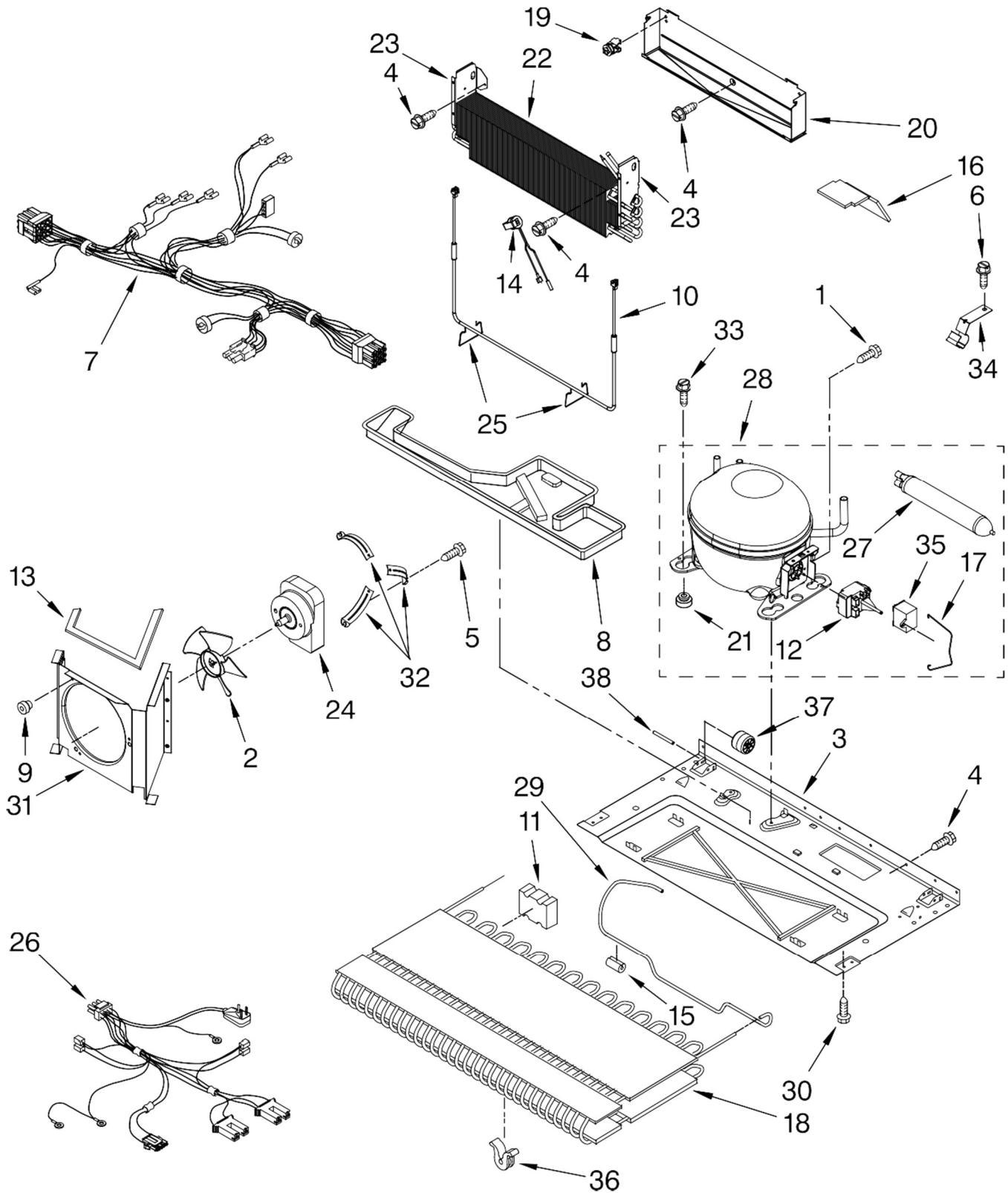
Illus. No.	Part No.	DESCRIPTION
1		Housing, Dispenser (Not Serviced)
2	W10180050	Dispenser Keyboard
3	13053103SP	Board, L.V.
4		Sump, Dispenser
	W10184826	White
	W10184827	Black
	W10187366	Stainless

Illus. No.	Part No.	DESCRIPTION
5		Chute, Ext/Yoke (Includes Switch)
	W10191155	White
	W10191151	Black
	W10192824	Midnight Grey (Dark)
6	67006400	Screw
7	67006295	Ring, Target
8		Facade, Dispenser
	W10183198	White
	W10184486	Black
	W10142273	Apollo Grey

Illus. No.	Part No.	DESCRIPTION
9	M0108106	Clamp, Tube
10	W10187370	Grille, Sump
11		Yoke/Pad Assy.
	W10170831	White
	W10170832	Black
	W10185233	Midnight Grey (Dark)
12	12565502	Spring



Illus. No.	Part No.	DESCRIPTION	Illus. No.	Part No.	DESCRIPTION	Illus. No.	Part No.	DESCRIPTION
1	12977803WQ 12977803BQ 12977803SQ	Freezer Door White Black Stainless	4	W10164043 W10164044 W10164045	Gasket, Door White Black Apollo Grey	9	67006113	Mount, Handle
2	W10119642 W10119643 W10119644	Handle, Door White Black Stainless	5	67006901	Screw, Handle	10	W10184223	Adapter, Bin (Inner)
3	W10119064 W10119295	Bracket, Door Slide Left Right	6	67006981	Bin, Lower	11	67007119	Bracket/Glide Assembly
			7	W10187469	Adapter, Bin (Outer)	12	67007118	Glide, Upper
			8	W10184227	Bin, Upper	13	67007117 67007116	Retainer, Glide Right Left
						14	W10010140	Screw, Set
						15	67006373	Divider, Upper Bin



Illus. No.	Part No.	DESCRIPTION
1	67006433	Screw
2	W10162928	Blade, Fan
3	67005889	Basepan
4	67006425	Screw
5	67004954	Screw (3)
6	67006737	Screw, Clip
7	W10119239	Harness, Evap Heater
8	67007175	Pan, Drain
9	61004743	Grommet (3)
10	W10162932	Heater, Defrost
11	67005491	Block, Condenser
12	W10128791	Start Device
13	61003210	Seal, Condenser Shroud
14	67006387	Thermostat, Defrost
15	67005680	Grommet (2)
16	12820504	Pad, Acoustic
17	2255199	Clip, Capacitor
18	67006131	Condenser
19	10623002	Clip, Evaporator
20	67002490	Tray, Drip

Illus. No.	Part No.	DESCRIPTION
21	W10169124	Grommet (4)
22	W10162998	Evaporator
23		Dam
	W10162951	Right Side
	W10162962	Left Side
24	67004432	Motor, Fan
25	10428101	Clip, Heater
26	13060202	Harness, Unit with Power Cord
27	2317845	Drier
28	W10134623	Compressor (Includes Items 12, 17, 21, 27, & 35)
29	W10134293	Tube, Discharge
30	67006573	Screw
31	12575309SP	Shroud
32	67004953	Bracket, Fan Motor
33	67006432	Screw (3)
34	10547003	Clip, Drier
35	2264017	Capacitor
36	W10137529	Grommet, Cond. (4)
37	67005149	Roller (2)
38	67006434	Axle (2)

Illus. No.	Part No.	DESCRIPTION
Following Parts Not Illustrated and Optional Parts Not Included		
	978025	Valve, Access (1/4")
	978026	Valve, Access (5/16")
	978027	Valve, Access (3/8")
	978028	Valve, Access (1/2")
	978029	Valve, Access (5/8")
	978030	Valve, Access (3/4")
	876764	Valve, Access (3/16")

REFRIGERANT CHARGE

5.25 Ozs.
(R-134A)

OPTIONAL PARTS (NOT INCLUDED)

For Models: KFIS20XVWH00, KFIS20XVBL00, KFIS20XVMS00

(White)

(Black) (Monochromatic Stainless)

Illus. No.	Part No.	DESCRIPTION
Parts Not Illustrated and Optional Parts (Not Included)		
Customer Touch-Up Material		
	*350942	Primer, White (13 Oz. Spray Can)
	*350939	Enamel, Black (13 Oz. Spray Can)
	*350930	Enamel, White (13 Oz. Spray Can)
	22002901	Enamel, Bisque (12 OZ. Spray Can)
	22002900	Enamel, Bisque (.6 OZ. Bottle)
	72017	Brush Touch-Up Kit (White)
	72032	Brush Touch-up kit (Black)

***Important:** The spray paint is not to be used where the paint may make contact with the door gaskets.

Illus. No.	Part No.	DESCRIPTION
Refinishing Material		
	799340	Enamel, Black (1 Qt. Uncut)
	799344	Enamel, White (1 Qt. Uncut)

Illus. No.	Part No.	DESCRIPTION
Miscellaneous		
	212643	Sealer, Gum (4 Feet)
	479502	Tape, Vinyl (3/4 x 108")
	876370	Kit, Insulation (2 Pcs. x 3" x 24" X 48")
	876305	Kit, Insulation (14 Pcs. x 3" x 24" x 48")
	978941	Insulation, Fiberglass (63-1/2" x 35-1/2" X 2-5/8)
	876029	Kit, Foam Slab (30" x 32-1/2" x 1-1/2")
	505587	Sealer, Mastic (1 Qt.)
	503695	Cork, Sealer (1/4 Pound)
	20000008	Cleaner, Stnls Steel Magic
	542638	Grease, Silicone (1/2 Oz.)
	542639	Cement, Alumilastic (1-1/4 Oz.)
	606755	Bag, Insulation (36-5/8" x 46")
	833938	Kit, Terminal Connector
	67006349	Ice Container Assembly

TORX SCREW WRENCH

1117510 Torx Key