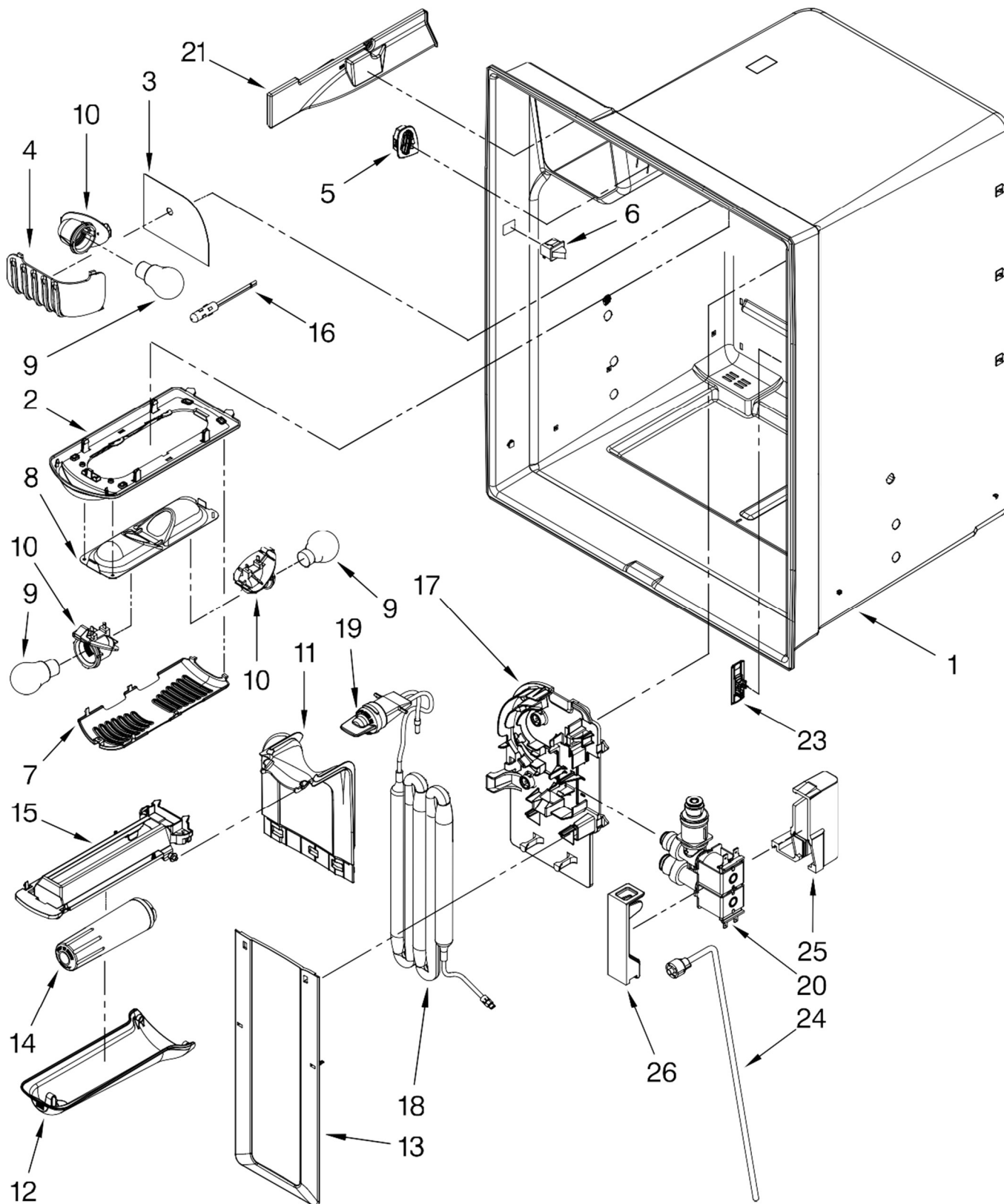
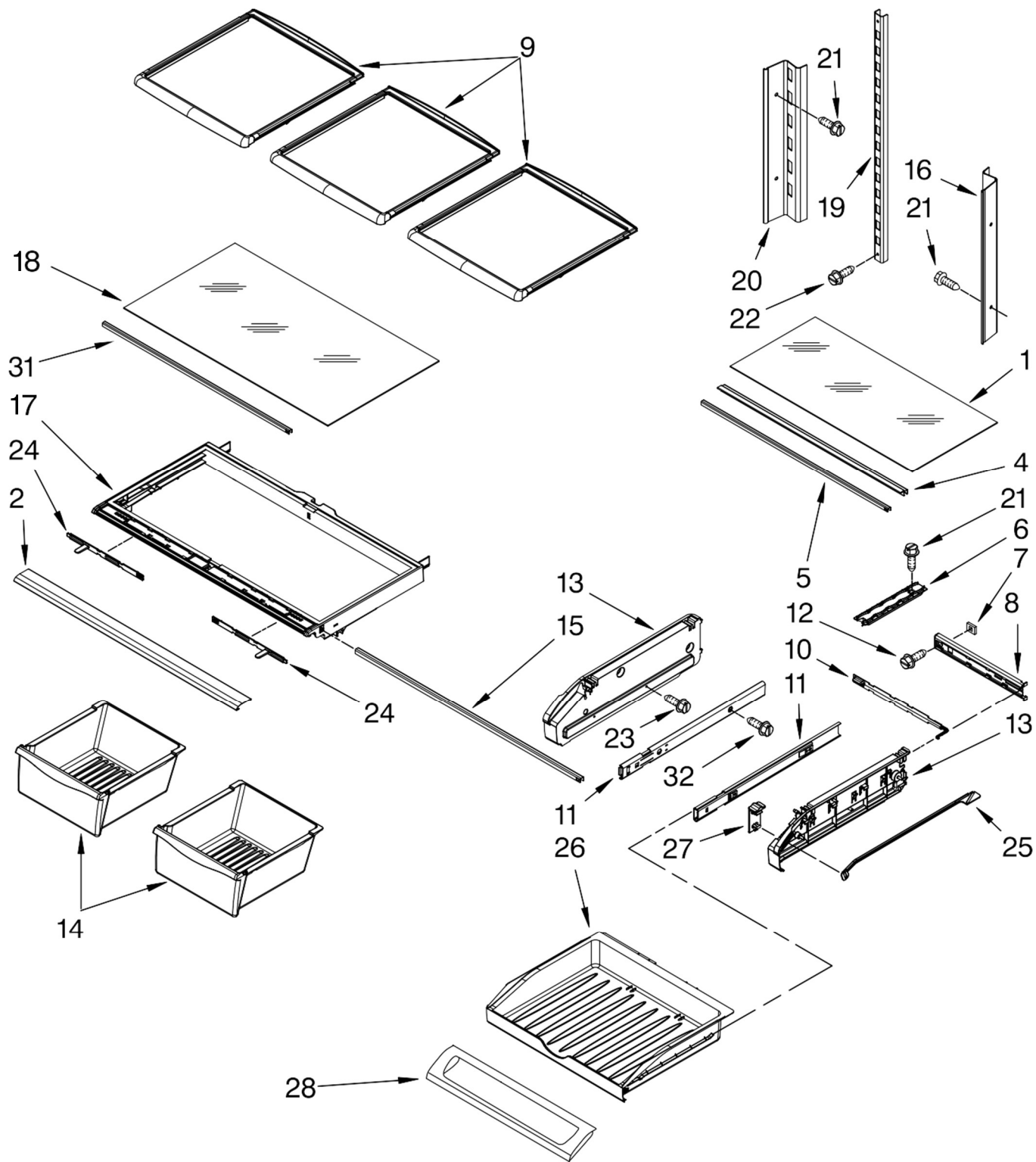


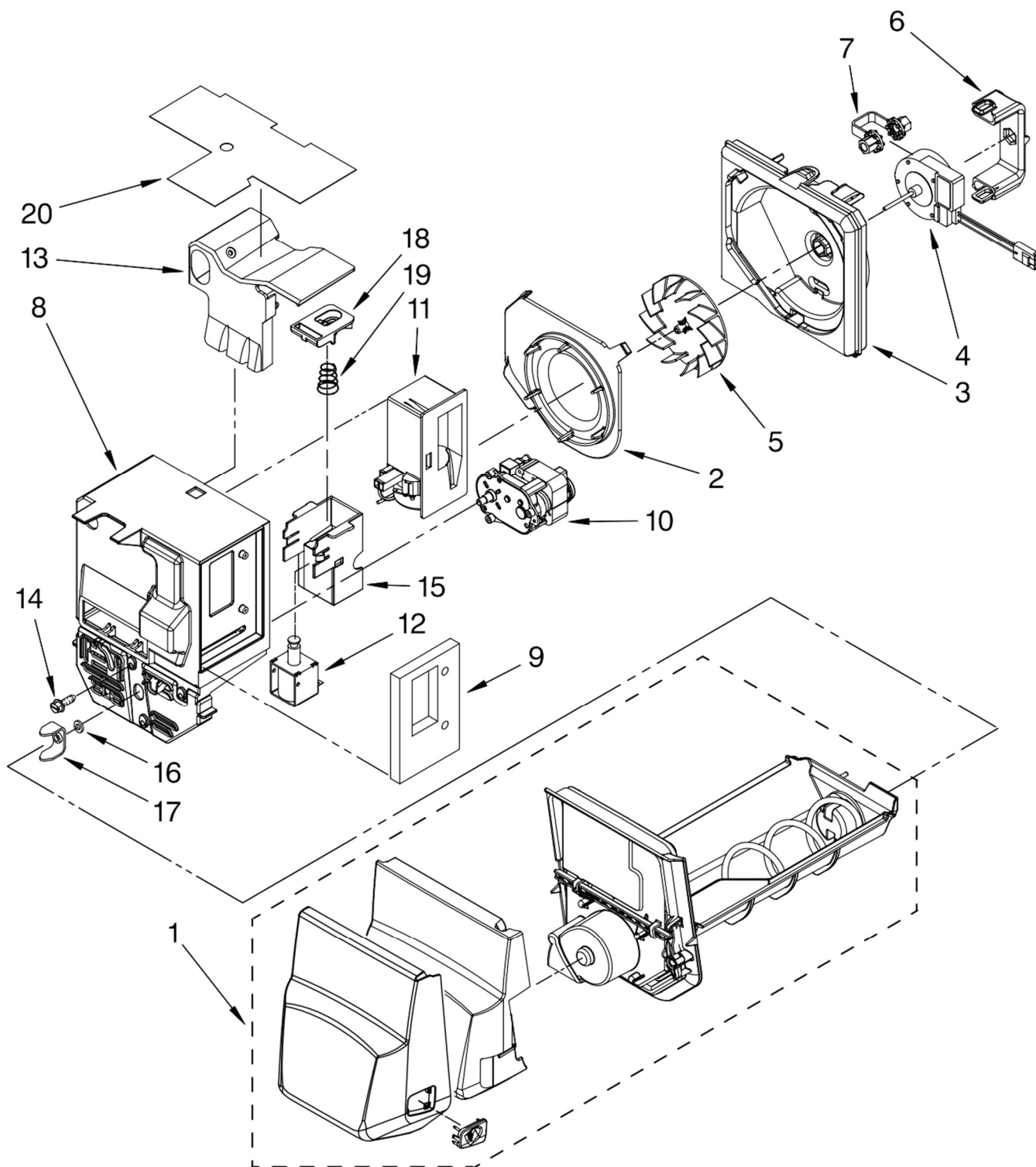
Illus. No.	Part No.	DESCRIPTION	Illus. No.	Part No.	DESCRIPTION	Illus. No.	Part No.	DESCRIPTION
1		Literature Parts	12	12990511	Screw (3)	21		Shim, Top Hinge
	W10238851	Tech Sheet	13		Cover, Top Hinge (Left)		12999501	Left
	12828191SP	Use & Care Guide		12962301B	Black		12999502	Right
	W10202397	Guide, Energy		12962301W	White	22		Grille, Toe
2	12961401	Tube W/Waterline, Fill-IM		12962301AP	Apollo Grey		W10244559	White
3	12698403	Block, Pivot	14	12992403	Screw, Top Hinge		W10244561	Black
4	B5759649	Gasket, MC Back	15		Hinge, Center (RT)		W10244558	Apollo Grey
5		Cover, Top Hinge (Right)		13000002WD	White	23	12957701	Lid, HV Control
	12962302B	Black		13000008ED	Black	24		Hinge, Center (LT)
	12962302W	White		13000002AP	Apollo Grey		13000001WD	White
	12962302AP	Apollo Grey	16	12957601	Box, HV Control		13000007ED	Black
6		Cover, Fill Tube	17		Cover, Corner (2)	25	12990702	Screw, Cover
	12981401B	Black		12587703W	White	26		Cabinet (Not A Servicable Part)
	12981401W	White		12587703B	Black		12990302	Screw, Block
	12981401AP	Apollo Grey	18	12963204ED	Hinge, Top Left	28	12957801	Gasket, HV Control
7	12961602	Cover, Control Box	19		Roller Assy. (Front)	29	W10211858	Cover, MC Back
8	M0108105	Clamp, Tube		W10212381	Right	30	W10210988	Tube, Drain
9	12992602	Screw, Hinge Cover		W10212382	Left	31	12820505	Fiber, Acoustic
10	12963205ED	Hinge, Top Right	20	12991302	Screw (8)	32	W10141622	Brake, Foot
11	12992201	Screw, Center Hinge				33	W10213583	Board, HV Control
						34		
						35		



<b>Illus. No.</b>	<b>Part No.</b>	<b>DESCRIPTION</b>
1		Liner (Not A Serviceable Part)
2	12905803	Module, Light
3	12691605	Foil, Light
4	12921801	Cover, Light
5	13008201	Grille, Air
6	12466103	Switch, Light (2)
7	12905902	Cover, Light
8	12806601V	Housing, Light
9	W10194422V	Bulb, Light
10	12570701	Socket, Light
11	12960101	Cover, Water Tank (Upper)
12	12960301	Lid, Water Filter
13	12960001	Cover, Water Tank (Lower)
14	UKF8001AXX	Filter, Water
15	12955901	Bracket, Filter Base
16	12002355	Thermistor
17	12956001	Bracket, Water Tank & Valve
18	12956202	Water Tank & Head Assembly
19	12664501SP	Plug, Bypass
20	12956102	Valve, Water Inlet
21	13033601	Cover, Ice Box Harness
23	12987301	Cover, Chiller Vent
24	12962202	Waterline, Cabinet (W/Nut)
25	W10118193	Enclosure, Water Valve Connector
26	W10118194	Lid, Enclosure

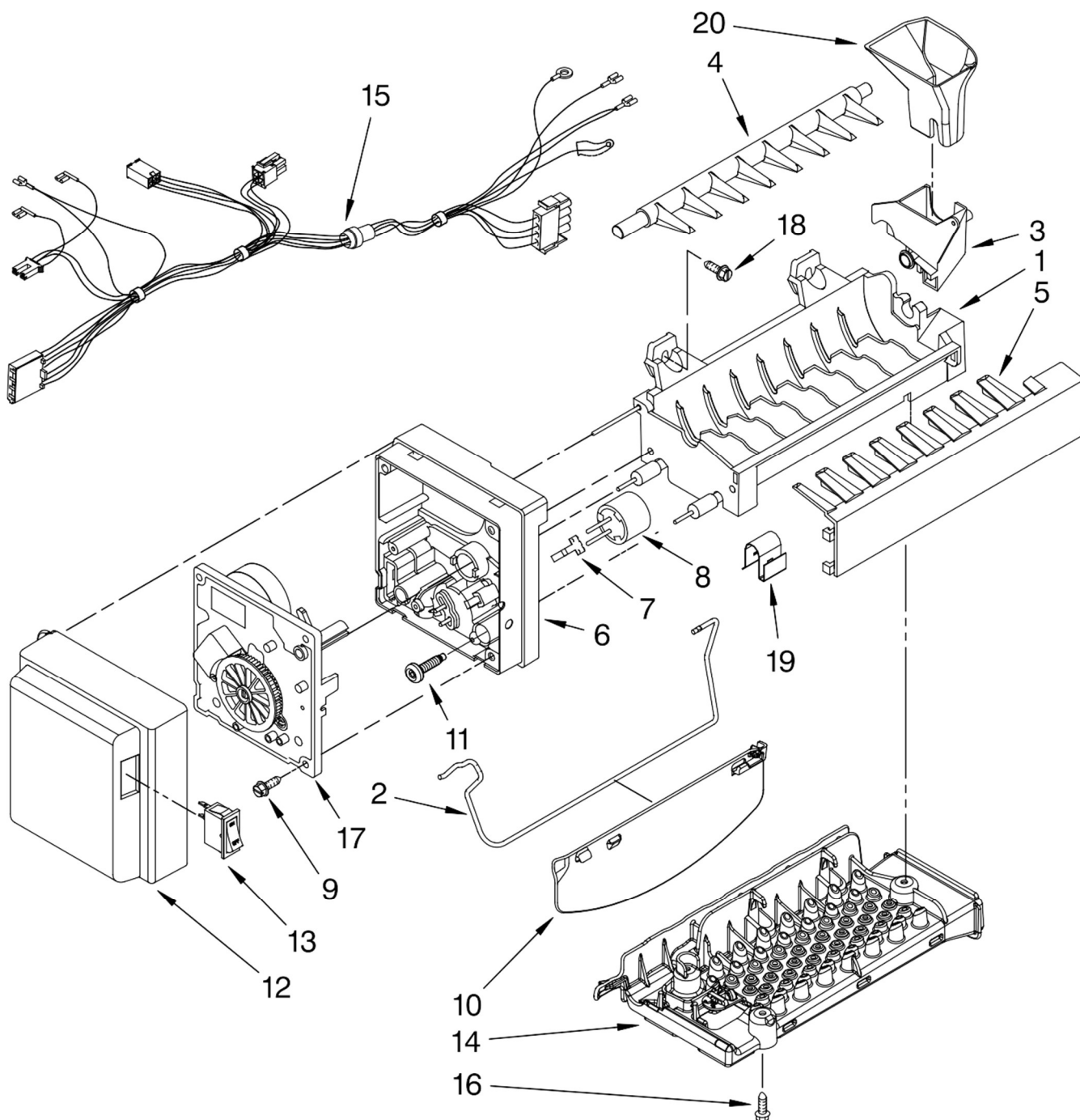


Illus. No.	Part No.	DESCRIPTION
1	12204829	Glass, Pantry
2	W10231486	Trim, Crisper
4	12655902SP	Support, Pantry(2)
5	12227305WD	Brace, Pantry (2)
6	12531901	Track, Pantry
7	12656901	Gasket, Pantry
8	12656202	Housing, Control
9	12463912	Shelf, Glide (3)
10	12655402	Slide, Temperature
11	13058101V	Glide, Drawer (2)
12	12990513	Screw
13		Endcap, Pantry
	12656105	Left
	12656021	Right
14	12531105SP	Pan, Crisper (2)
15	12227305WD	Support, Crisper Cover
16	13039303	Ladder, Side RH
17	12531202SP	Frame, Crisper
18	12204821	Glass, Crisper Cover
19	12435809	Ladder, Center
20	13039302	Ladder, Side LH
21	12990513	Screw
22	12990515	Screw
23	12990512	Screw
24	12530805SP	Slide, Humidity Control
25	12655303	Bar, Temperature Control
26	12655702	Drawer, Pantry
27	12655204V	Knob, Temperature Control
28	12656817	Lid, Pantry Drawer Crisper Frame
31	12227304WD	Brace, Crisper
32	12990504	Screw



<b>Illus. No.</b>	<b>Part No.</b>	<b>DESCRIPTION</b>
1	13012608	Ice Bin Assembly (Includes Auger)
2	W10121282	Inlet, Blower
3	W10121281	Scroll, Blower
4	W10162697	Motor, Fan
5	W10123444	Wheel, Blower
6	12956603SP	Clip, Fan Motor
7	W10151687	Grommet, Fan Motor
8	12958407SP	Divider, Ice Box
9	12920001SP	Gasket, Damper
10	12955405	Motor, Auger
11	W10127427	Damper, Control
12	13028201SP	Solenoid
13	W10118612	Liner, Divider
14	12990511	Screw (3)
15	12958602SP	Bracket, Solenoid
16	420107A700	Washer
17	63052A001	Yoke, Ice Dispenser
18	12958502SP	Yoke, Solenoid
19	12942401SP	Spring, Solenoid
20	W10142628	Foil, Ice Box





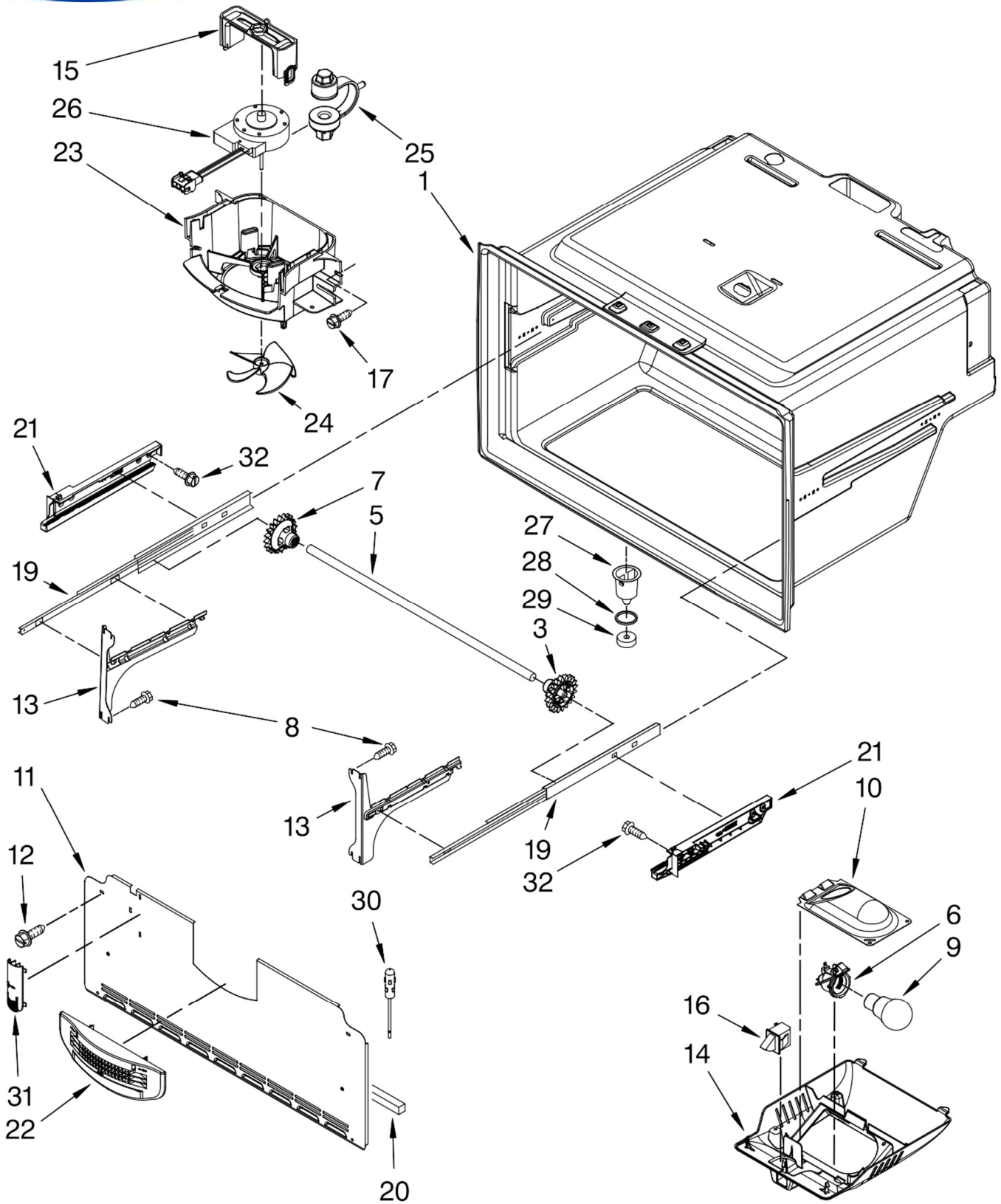
<b>Illus. No.</b>	<b>Part No.</b>	<b>DESCRIPTION</b>
1	W10122527	Mold & Heater Assembly (Also Order 542638 Grease)
2	W10175514	Arm, Shutoff
3	628515	Cup, Fill
4	627843	Ejector
5	2182124	Ice Stripper
6	2194712	Support, Housing
7	2315522	Retainer, Thermostat
8	628397	Thermostat (Also Order 542369 Cement)
9	489276	Screw (3)
10	W10121440	Extension, Shutoff Arm
11	8533917	Screw (2)
12	W10121444	Cover
13	2313326	Switch, On-Off
14	W10121269	Impinger Assy.
15	W10123395	Harness, Icemaker
16	12990511	Screw, Impinger
17	W10223929	Module Assembly
18	489276	Screw (3)
19	628379	Clip
20	W10121434	Insert, Fill Cup
100	W10190981	Icemaker Assembly

---

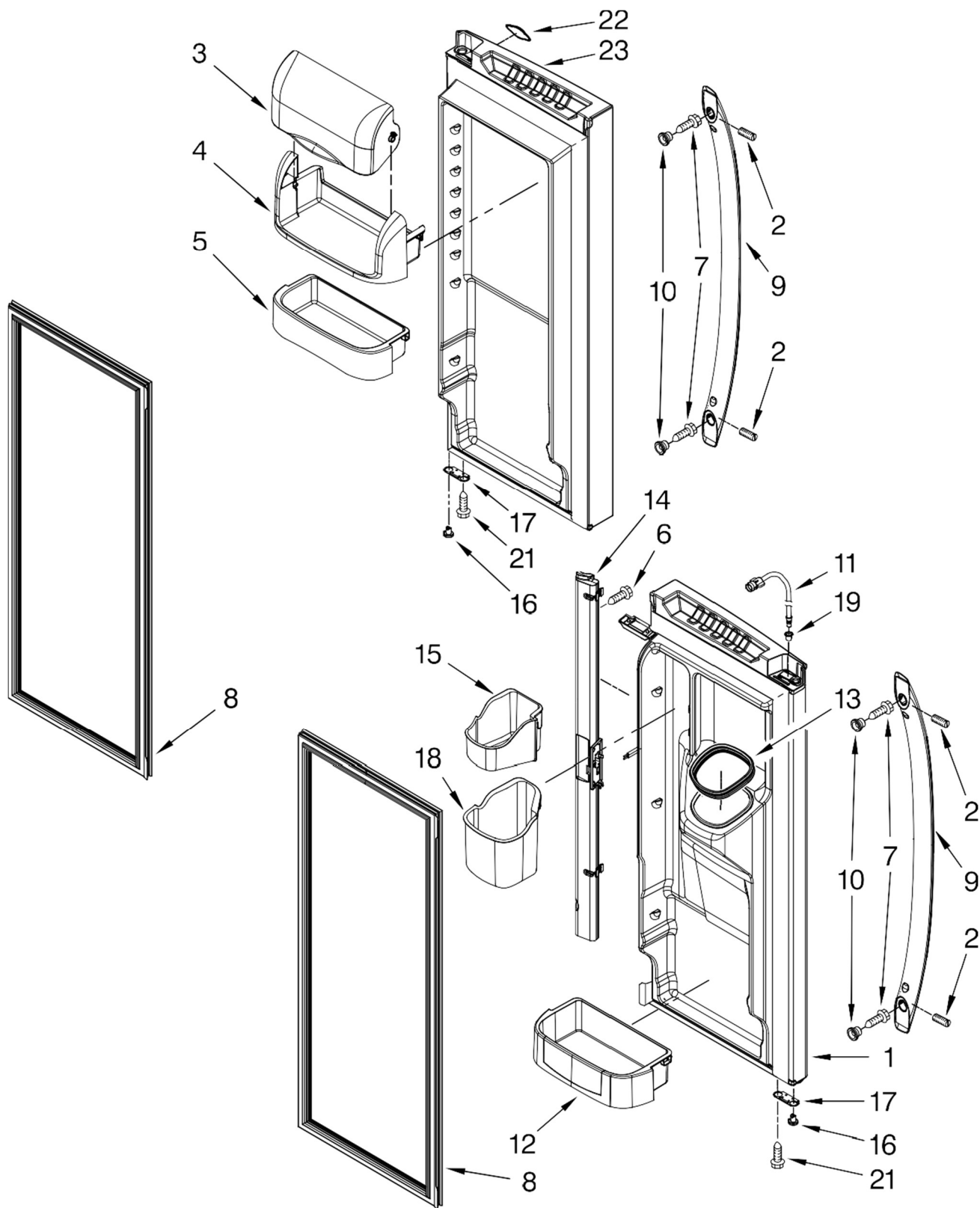
**Following Parts Not Illustrated**

---

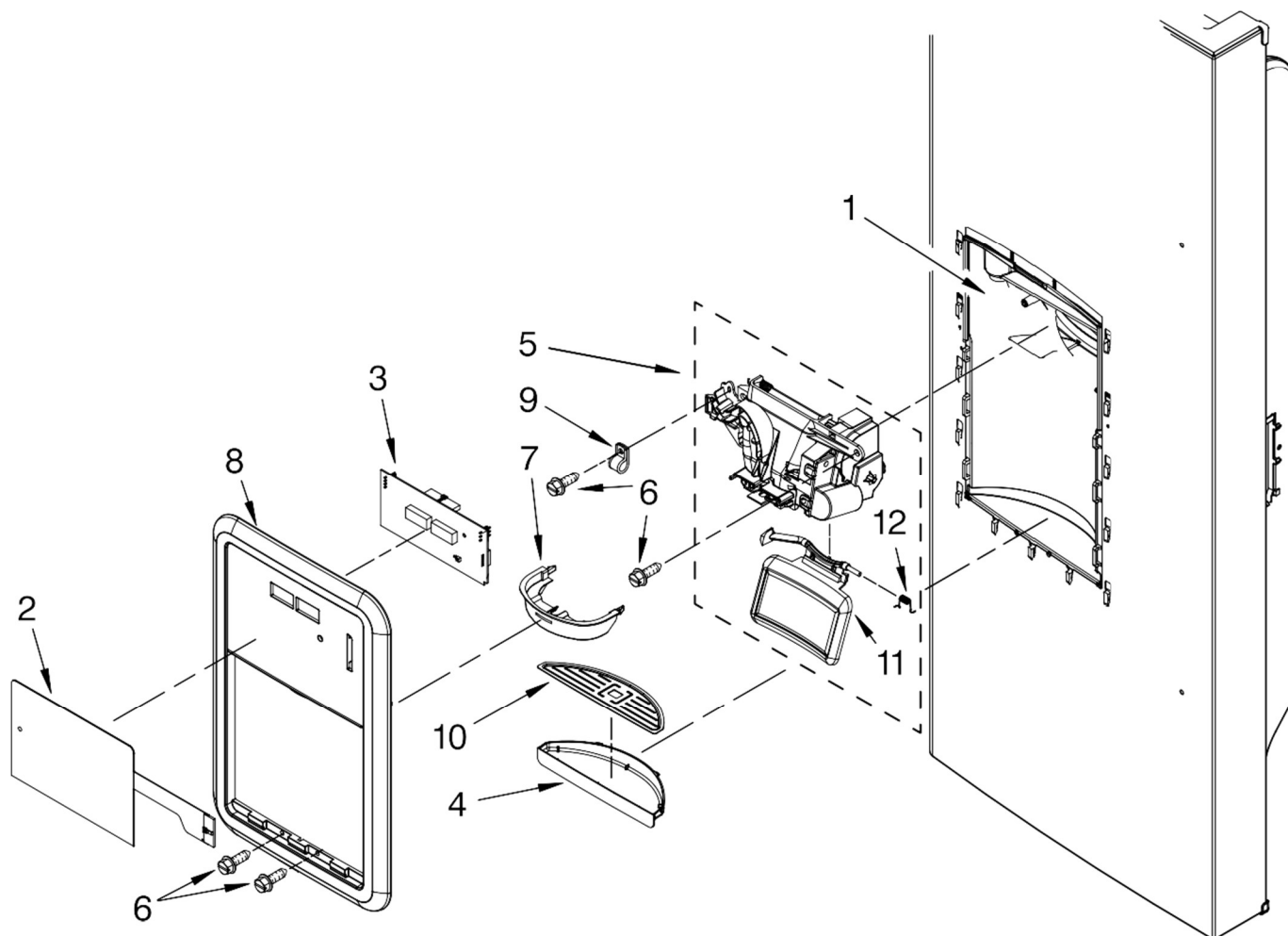
10244904SP Coupling



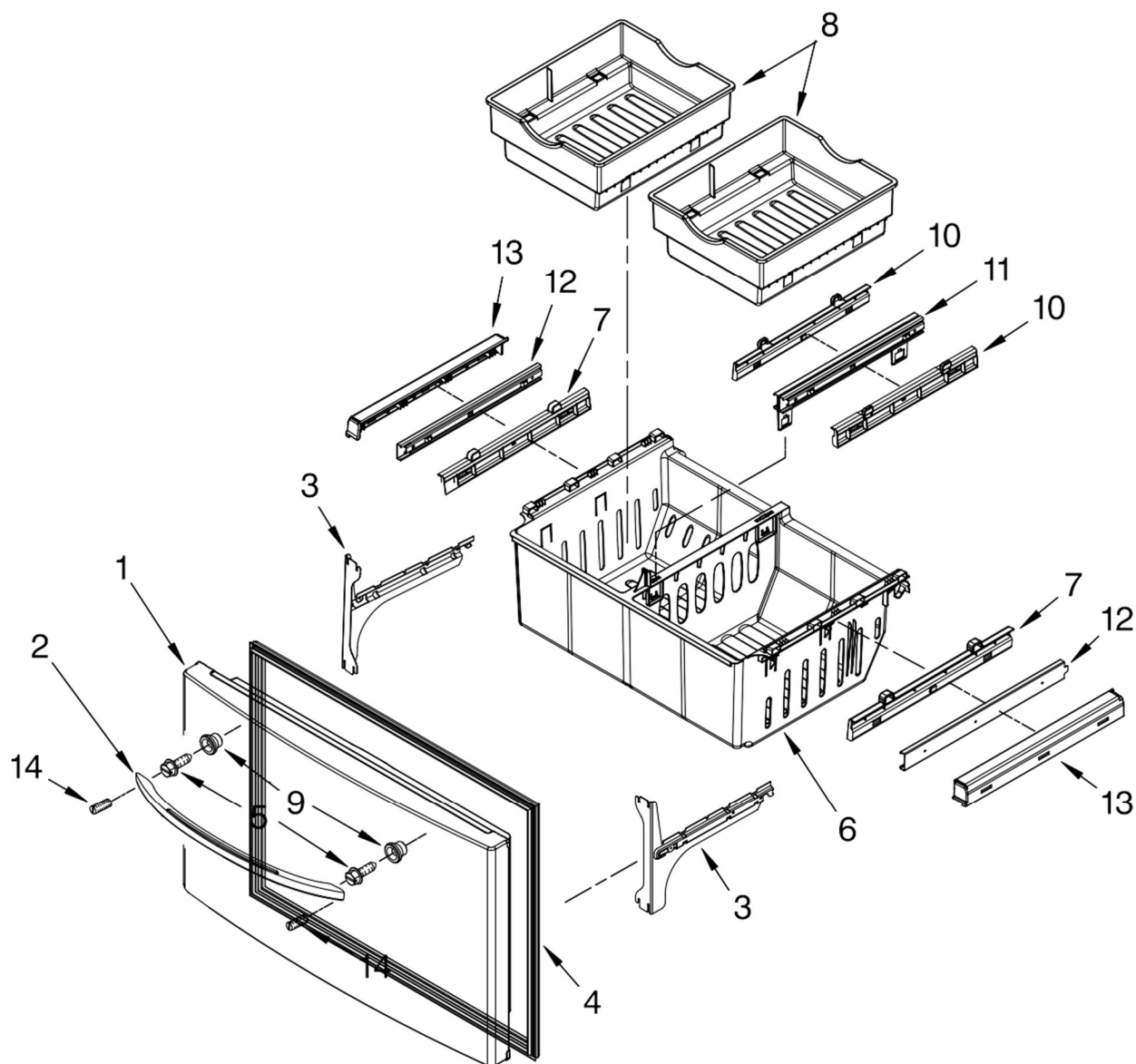
Illus. No.	Part No.	DESCRIPTION
1		Liner (Not A Seviceable Part)
3	12002497	Gear (Left)
5	12812903WD	Shaft, Rack
6	12570701	Socket, Light
7	12002497	Gear, (Right)
8	12990521	Screw, Bracket
9	W10194422	Bulb, Light
10	12476401SP	Housing, Light
11	12935801	Cover, Evap
12	12990511	Screw
13		Bracket, Door Slide
	W10119064	Left
	W10119295	Right
14	13027902SP	Module, Freezer Light
15	12956601	Clip, Fan Motor
16	12466111SP	Switch, Rocker
17	12990504	Screw, Fan Shroud To Basket
19	13055901	Slide, Drawer (2)
20	A3189397	Gasket, Foam
21		Adapter
	13042305	Left
	13042306	Right
22	12959901	Grille, Air
23	12951401	Shroud, Evap Fan
24	12986101	Blade, Fan (Evaporator)
25	12951101	Grommet, Fan Motor (2)
26	W10162809	Motor, Evaporator Fan
27	D7753903	Funnel, Drain
28	M0500703	Seal, O Ring
29	B8381501	Gasket, Drain Tube
30	12002355	Thermistor Kit
31	12815301	Cover, Thermistor
32	12990501	Screw, Adapter



Illus. No.	Part No.	DESCRIPTION
1		Door, Left
	12978040WQ	White
	12978040BQ	Black
	12978040SQ	Stainless
2	W10010140	Screw, Set
3	12804701SP	Door, Dairy
4	12369502SP	Tray, Dairy
5	W10184033	Bin, Shelf (Medium) (Includes Gripper #W10184031)
6	12990204	Screw
7	12692001	Screw, Handle
8		Gasket, Door
	W10163896	White
	W10163898	Black
	W10163991	Apollo Grey
9		Handle, Door
	W10119642	White
	W10119643	Black
	W10119644	Stainless
10	12691403	Mount, Handle
11	12962106	Waterline, Door
12	W10184034	Bin, Shelf (Gallon) (Includes Gripper #W10184032)
13	12999902	Seal, Ice Chute
14		Mullion, Door
	12722813W	White
	12722813B	Black
	12722813AP	Apollo Grey
15	12977401	Bucket, Dispenser (Upper)
16		Closure, Door
	12028505W	White
	12028505B	Black
	12028505AP	Apollo Grey
17		Stop, Door
	12968202W	White
	12968202B	Black
	12968202AP	Apollo Grey
18	12977501	Bucket, Dispenser (Lower)
19	12996601	Clip, Bushing Wire (Left Door)
21	12990521	Screw
22		Nameplate
	W10046670	(White)
	W10046640	(Black)
	W10046610	(Stainless)
23		Door, Right
	12978017WQ	White
	12978017BQ	Black
	12978039SQ	Stainless



Illus. No.	Part No.	DESCRIPTION	Illus. No.	Part No.	DESCRIPTION	Illus. No.	Part No.	DESCRIPTION
1		Housing, Dispenser (Not Serviced)	5		Chute, Ext/Yoke (Includes Switch)	9	M0108106	Clamp, Tube
2	W10180050	Dispenser Keyboard	13005703W	White		10	W10187370	Grille, Sump
3	13053103SP	Board, L.V.	13005703B	Black		11	W10170831	White Yoke/Pad Assy.
4		Sump, Dispenser	13005705	Midnight Grey (Dark)			W10170832	Black
	W10184826	White	6	12990513	Screw		W10185233	Midnight Grey (Dark)
	W10184827	Black	7	12958301	Ring, Target	12	12565502	Spring
	W10187366	Stainless	8		Facade, Dispenser			
				W10183198	White			
				W10184486	Black			
				W10188790	Apollo Grey			

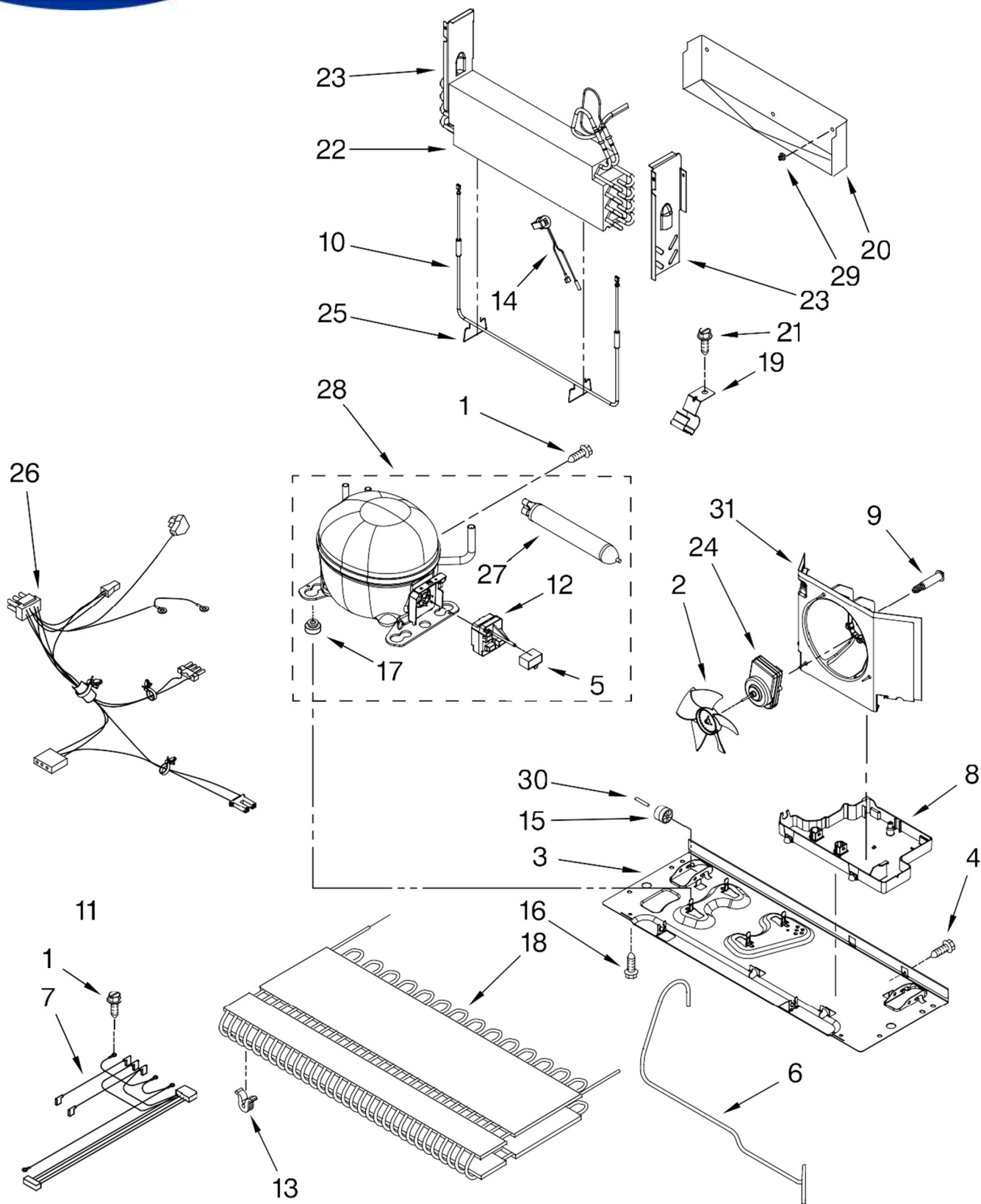


Illus. No.	Part No.	DESCRIPTION
1		Freezer Door
	12977803WQ	White
	12977803BQ	Black
	12977803SQ	Stainless
2		Handle, Door
	W10119642	White
	W10119643	Black
	W10119644	Stainless
3		Bracket, Door Slide
	W10119064	Left
	W10119295	Right

Illus. No.	Part No.	DESCRIPTION
4		Gasket, Door
	W10164043	White
	W10164044	Black
	W10164045	Apollo Grey
5	12692001	Screw, Handle
6	13002801SP	Bin, Lower
7	13002603SP	Adapter, Bin (Outer)
8	13002402	Bin, Upper

Illus. No.	Part No.	DESCRIPTION
9	12691403	Mount, Handle
10	13002604SP	Adapter, Bin (Inner)
11	12969702	Bracket/Glide Assembly
12	12925102	Glide, Upper
13		Retainer, Glide
	13002702SP	Right
	13002701SP	Left
14	W10010140	Screw, Set





Illus. No.	Part No.	DESCRIPTION
1	12992301	Screw
2	12825803	Blade, Fan
3	W10210985	Basepan
4	12990511	Screw
5	2264017	Capacitor
6	W10217747	Tube, Discharge
7	W10119239	Harness, Evap. Heater
8	W10215085	Pan, Drain
9	W10216919	Screw, Shoulder
10	12729123	Heater, Defrost
11	W10204187	Strap, Bale
12	W10197428	Start Device
13	W10137529	Grommet, Cond (4)
14	12639311SP	Thermostat, Defrost
15	12477102	Roller (2)
16	12992101	Screw
17	10835903SP	Grommet (4)

Illus. No.	Part No.	DESCRIPTION
18	W10135026	Condenser
19	10547003	Clip, Drier
20	12225403WD	Tray, Drip
21	12990701	Screw
22	12959803	Evaporator
23		Dam
	12963102SP	Right Side
	12963002SP	Left Side
24	12825101	Motor, Fan
25	10428101	Clip, Heater
26	W10234027	Harness, Unit with Power Cord
27	W10143759	Drier
28	W10134623	Compressor (Includes items 11,12,17,27)
29	10623002	Clip, Evaporator
30	12477202	Axle, Roller (2)
31	W10189184	Shroud

Illus. No.	Part No.	DESCRIPTION
------------	----------	-------------

Following Parts Not Illustrated and Optional Parts Not Included

978025	Valve, Access (1/4")
978026	Valve, Access (5/16")
978027	Valve, Access (3/8")
978028	Valve, Access (1/2")
978029	Valve, Access (5/8")
978030	Valve, Access (3/4")
876764	Valve, Access (3/16")

### REFRIGERANT CHARGE

5.25 Ozs.  
(R-134A)

# OPTIONAL PARTS (NOT INCLUDED)

For Models: KFIS20XVWH1, KFIS20XVBL1, KFIS20XVMS1  
(White) (Black)(Monochromatic Stainless)

Illus. No.	Part No.	DESCRIPTION	Illus. No.	Part No.	DESCRIPTION	Illus. No.	Part No.	DESCRIPTION
Parts Not Illustrated and Optional Parts (Not Included)			<b>Miscellaneous</b>			<b>TORX SCREW WRENCH</b>		
<b>Customer Touch-Up Material</b>			212643		Sealer, Gum (4 Feet)			1117510 Torx Key
*350942		Primer, White (13 Oz. Spray Can)	479502		Tape, Vinyl (3/4 x 108")			
*350939		Enamel, Black (13 Oz. Spray Can)	876370		Kit, Insulation (2 Pcs. x 3" x 24" X 48")			
*350930		Enamel, White (13 Oz. Spray Can)	876305		Kit, Insulation (14 Pcs. x 3" x 24" x 48")			
22002901		Enamel, Bisque (12 OZ. Spray Can)	978941		Insulation, Fiberglass (63-1/2" x 35-1/2" X 2-5/8)			
22002900		Enamel, Bisque (.6 OZ. Bottle)	876029		Kit, Foam Slab (30" x 32-1/2" x 1-1/2")			
72017		Brush Touch-Up Kit (White)	505587		Sealer, Mastic (1 Qt.)			
72032		Brush Touch-up kit (Black)	503695		Cork, Sealer (1/4 Pound)			
*Important: The spray paint is not to be used where the paint may make contact with the door gaskets.			20000008		Cleaner, Stnls Steel Magic			
<b>Refinishing Material</b>			542638		Grease, Silicone (1/2 Oz.)			
799340		Enamel, Black (1 Qt. Uncut)	542639		Cement, Alumilastic (1-1/4 Oz.)			
799344		Enamel, White (1 Qt. Uncut)	606755		Bag, Insulation (36-5/8" x 46")			
			833938		Kit, Terminal Connector			
			67007112		Ice Container Assembly			