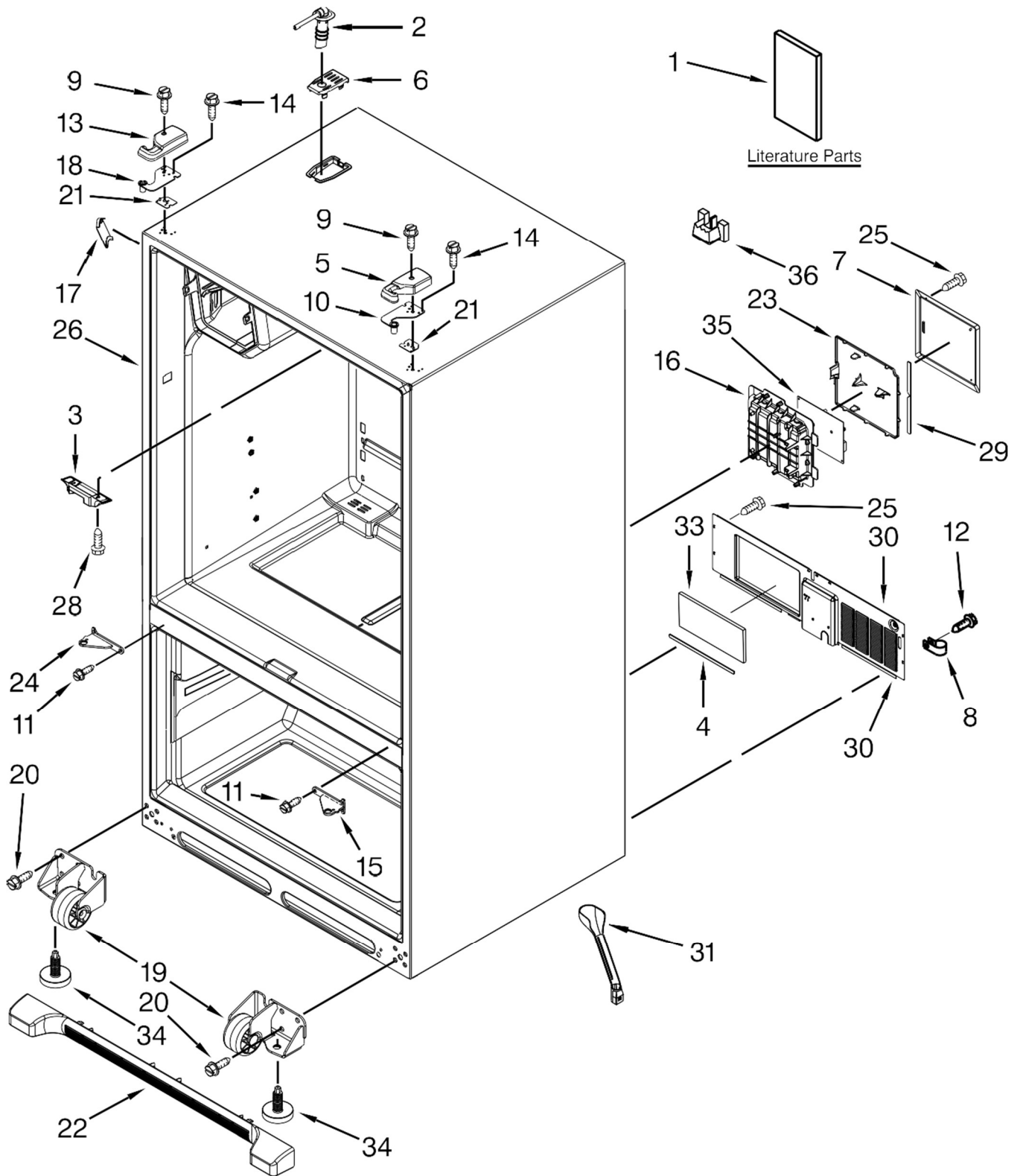


KitchenAid[®]

REFRIGERATOR

MODELS:

KFIS20XVMS11 (Stainless Steel)



Illus.

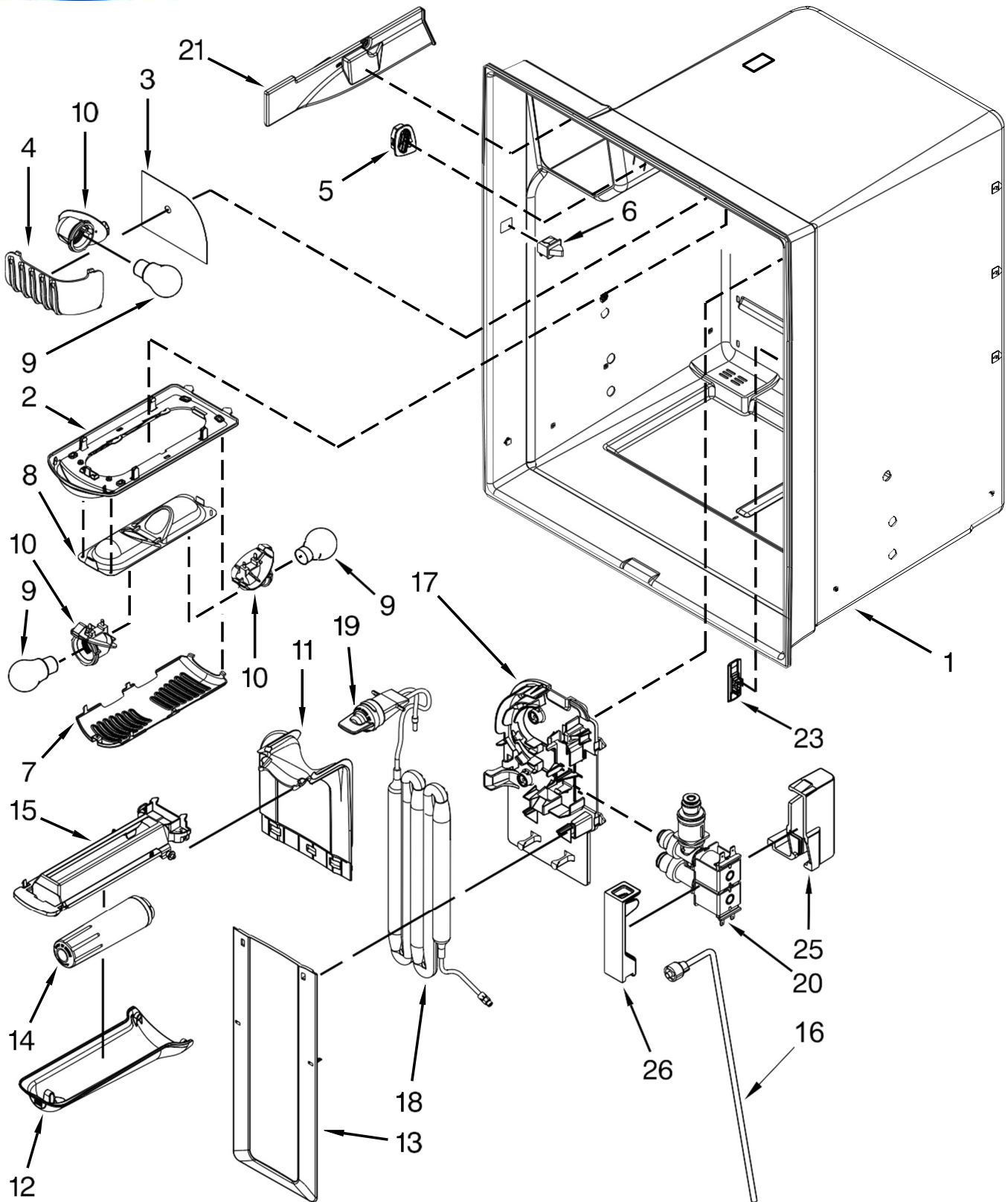
<u>No.</u>	<u>Part No.</u>	<u>Description</u>
1		Literature Parts
	W10476808	Tech Sheet
	W10329363	Use & Care Guide
	W10202397	Energy Guide
2	12961401	Tube, Water
3	12698403	Plate, Pivot
4	B5759655	Gasket
5		Cover, Top Hinge (Right)
	12962302AP	Grey
6		Cover, Fill Tube
	12981401AP	Grey
7	12961602	Cover, Control Box
8	M0108107	Clamp, Tube
9	12992602	Screw
10		Hinge, Top
	12963205ED	Right Hand
11	W10339086	Screw
12	12990511	Screw

Illus.

<u>No.</u>	<u>Part No.</u>	<u>Description</u>
13		Cover, Top Hinge (Left)
	12962301AP	Grey
14	12992403	Screw
15		Hinge, Center (RT)
	13000002AP	Grey
16	12957601	Box, HV Control
17		Cover, Corner
	12587703AP	Grey
18		Hinge, Top
	12963204ED	Left Hand
19		Roller Assy. (Front)
	W10515762	Right Hand
	W10515763	Left Hand
20	12991302	Screw
21		Shim, Top Hinge
	12999501	Left Hand
	12999502	Right Hand

Illus.

<u>No.</u>	<u>Part No.</u>	<u>Description</u>
22		Grille, Toe
	W10244558	Grey
23	W10296536	Lid, HV Control
24		Hinge, Center (LT)
	13000001AP	Grey
25	12990702	Screw
26		Cabinet (Not A Servicable Part)
28	12990302	Screw
29	12957801	Gasket, HV Control Box
30	W10270394	Cover, Unit
31	W10344402	Tube, Drain
33	12820505	Insulation
34	W10141622	Brake, Roller
35	W10312695	Board, HV Control
36	12777701	Block, Fill Tube



Illus.

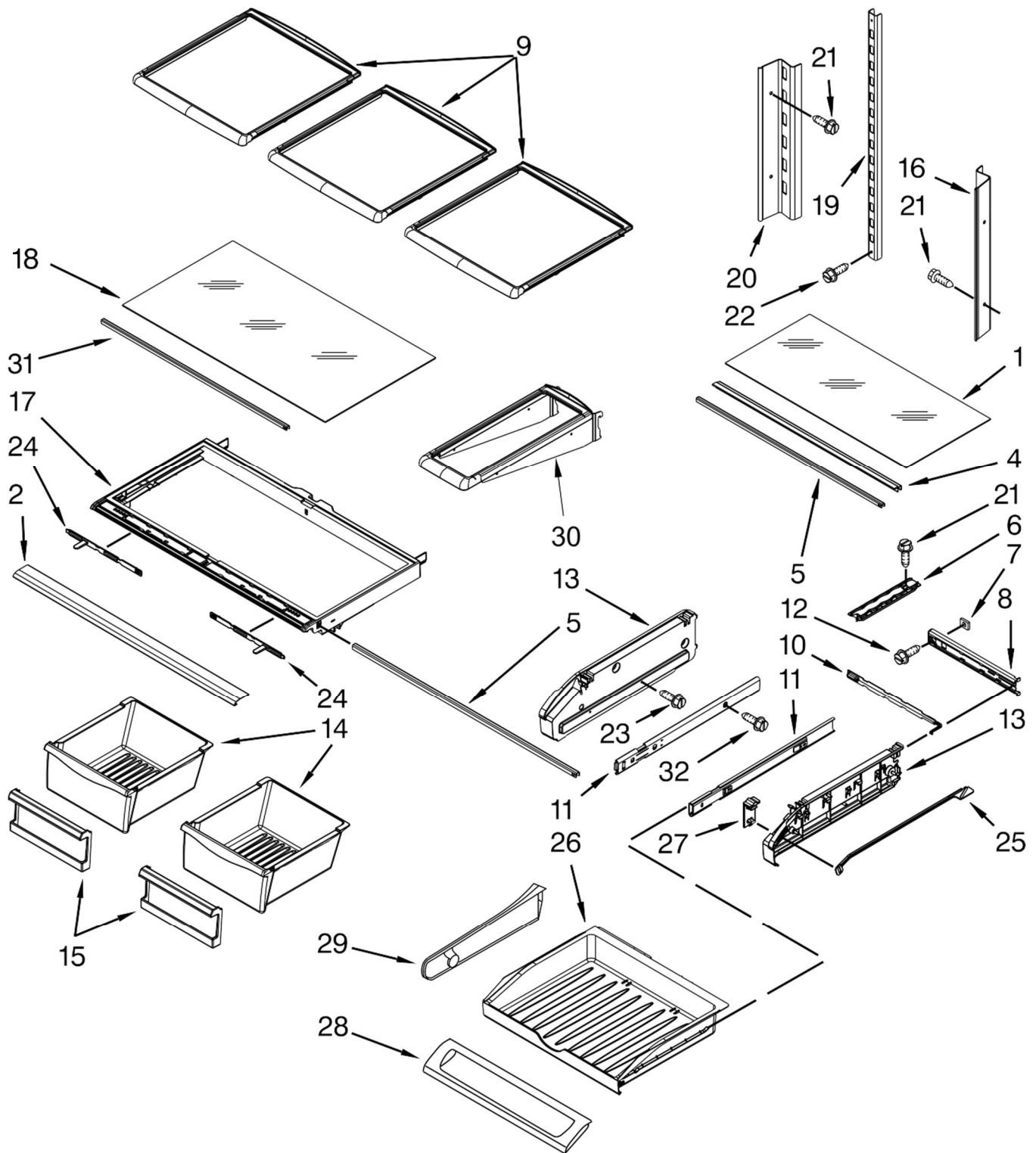
<u>No.</u>	<u>Part No.</u>	<u>Description</u>
1		Liner (Not A Serviceable Part)
2	W10464777	Module, Light
3	12691605	Foil, Light
4	12921801	Cover, Light
5	W10555981	Grille, Air
6	12466103	Switch, Rocker
7	12905902	Cover, Light
8	W10443023	Housing, Light
9	W10311505	Bulb, Light

Illus.

<u>No.</u>	<u>Part No.</u>	<u>Description</u>
10	12570701V	Socket, Light
11	12960101	Cover, Upper Water Tank
12	12960301	Cover, Filter
13	12960001	Cover, Lower Water Tank
14	W10336197	Filter, Water
15	12955901	Bracket, Filter Base
16	W10444032	Waterline, Cabinet (W/Nut)
17	W10334463	Bracket, Water Tank & Valve

Illus.

<u>No.</u>	<u>Part No.</u>	<u>Description</u>
18	W10463663	Water Tank & Head Assembly
19	12664501SP	Cartridge, Bypass
20	W10312696	Valve, Water Inlet
21	13033601	Cover, Ice Box Harness
23	12987301	Cover, Chiller Vent
25	W10118193	Enclosure, Water Valve Connector
26	W10118194	Lid, Enclosure



Illus.

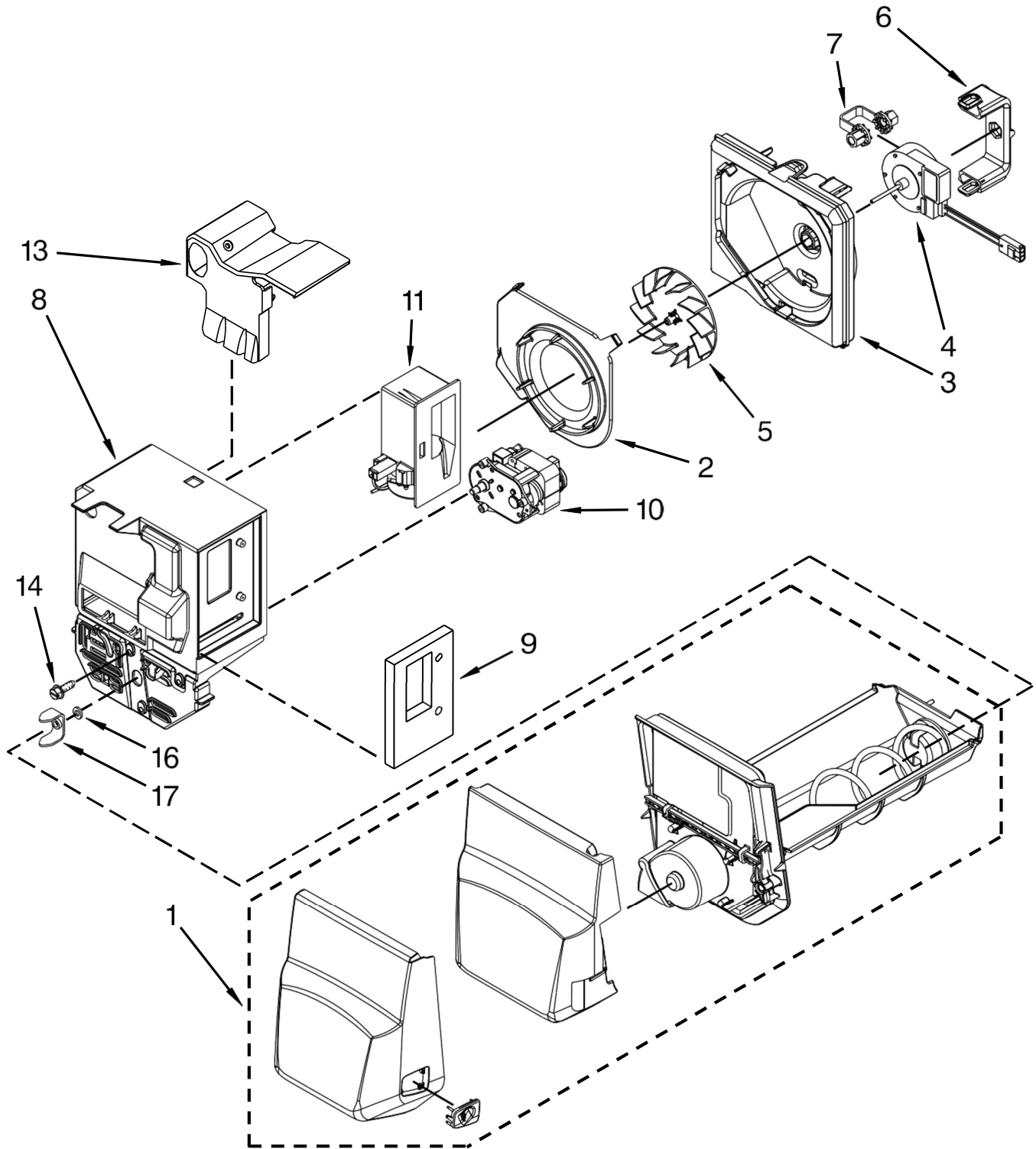
<u>No.</u>	<u>Part No.</u>	<u>Description</u>
1	12204829	Glass, Pantry
2	W10231486	Trim, Crisper
4	W10528935	Trim, Pantry Glass
5	12227305WH	Brace, Pantry
6	12531901	Track, Deli Drawer
7	12656901	Gasket, Pantry
8	12656202	Control, Housing
9	12463912	Shelf, Glide
10	12655402	Slide, Temperature Control
11	W10235370	Glide, Pantry
12	12990513	Screw
13		Endcap, Pantry
	12656105	Left Hand
	12656018	Right Hand

Illus.

<u>No.</u>	<u>Part No.</u>	<u>Description</u>
14	12531105SP	Pan, Crisper
15	12909404SP	Front, Crisper
16		Ladder, Side
	W10251967	Right Hand
17	12531202SP	Frame, Crisper
18	12204821	Glass, Crisper
19	W10273464	Ladder, Center
20		Ladder, Side
	W10251966	Left Hand
21	12990513	Screw
22	12990515	Screw
23	12990512	Screw
24	12530805SP	Slide, Humidity Control
25	12655303	Bar, Control
26	12655702	Drawer, Pantry

Illus.

<u>No.</u>	<u>Part No.</u>	<u>Description</u>
27	12655204	Knob, Temperature Control
28	12656817	Lid, Pantry
29	12709301	Divider, Pantry
30	12982901	Shelf, Mini
31	12227304WD	Brace, Crisper Cover
32	12990504	Screw



Illus.

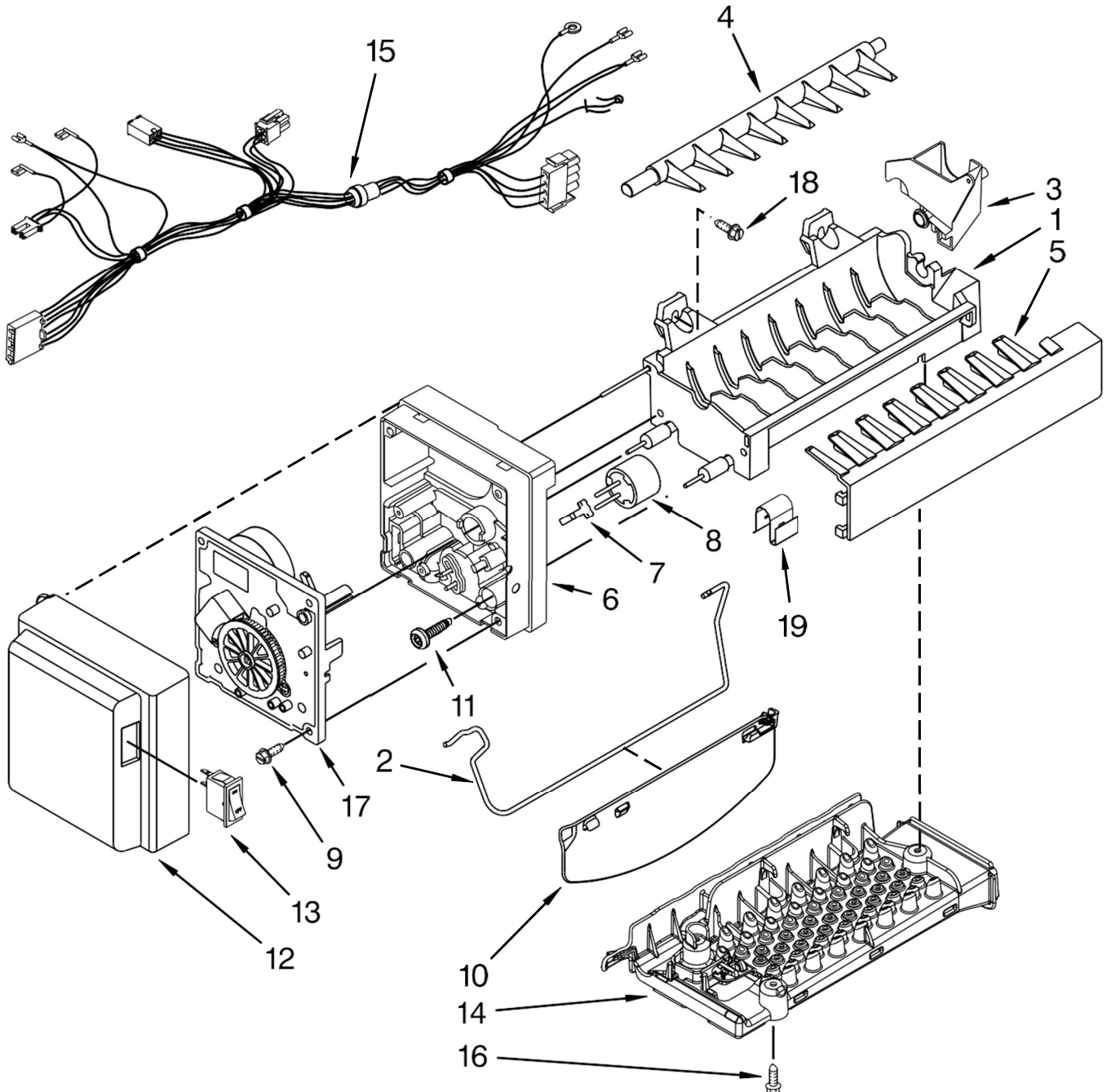
<u>No.</u>	<u>Part No.</u>	<u>Description</u>
1	W10324088	Ice Bin Assembly
2	W10121282	Inlet, Blower
3	W10121281	Scroll, Blower
4	W10162697	Motor, Fan
5	W10123444	Wheel, Blower

Illus.

<u>No.</u>	<u>Part No.</u>	<u>Description</u>
6	12956603SP	Clip, Fan Motor
7	W10151687	Grommet, Fan Motor
8	W10356558	Divider, Ice Box
9	12920001SP	Gasket, Damper
10	W10372218	Motor, Auger

Illus.

<u>No.</u>	<u>Part No.</u>	<u>Description</u>
11	W10127427	Damper, Control
13	W10118612	Liner, Divider
14	12990511	Screw
16	W10465946	Washer
17	63052A001	Yoke, Ice Dispenser





REFRIGERADOR KFIS20XV

Illus.

No. Part No. Description

1	W10300025	Assembly, Mold & Heater
2	W10175514	Arm, Shutoff
3	W10327050	Cup, Fill
4	W10318914	Ejector, Arm
5	W10122563	Stripper, Ice
6	2194712	Support, Housing
7	2315522	Retainer, Thermostat

Illus.

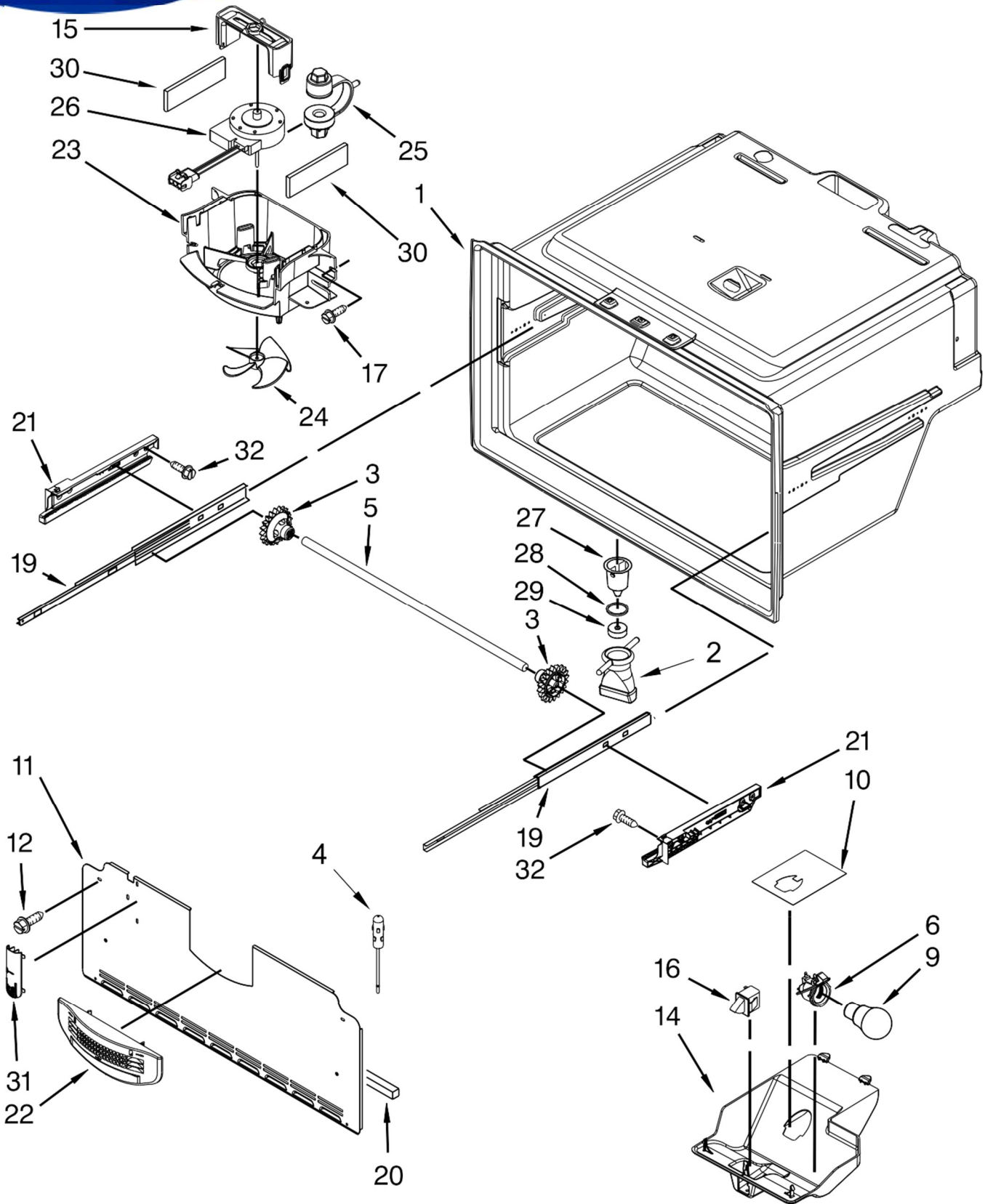
No. Part No. Description

8	W10290336	Thermostat
9	W10001240	Screw
10	W10351019	Extension, Shutoff Arm
11	8533917	Screw
12	W10121444	Cover
13	2313326	Switch, Rocker
14	W10312691	Assembly, Impinger

Illus.

No. Part No. Description

15	W10312698	Harness, Icemaker
16	12990511	Screw
17	626691	Assembly, Module and Motor
18	489136	Screw
19	628379	Clip, Thermal Fuse
100	W10300024	Icemaker Assembly (Complete)



Illus.

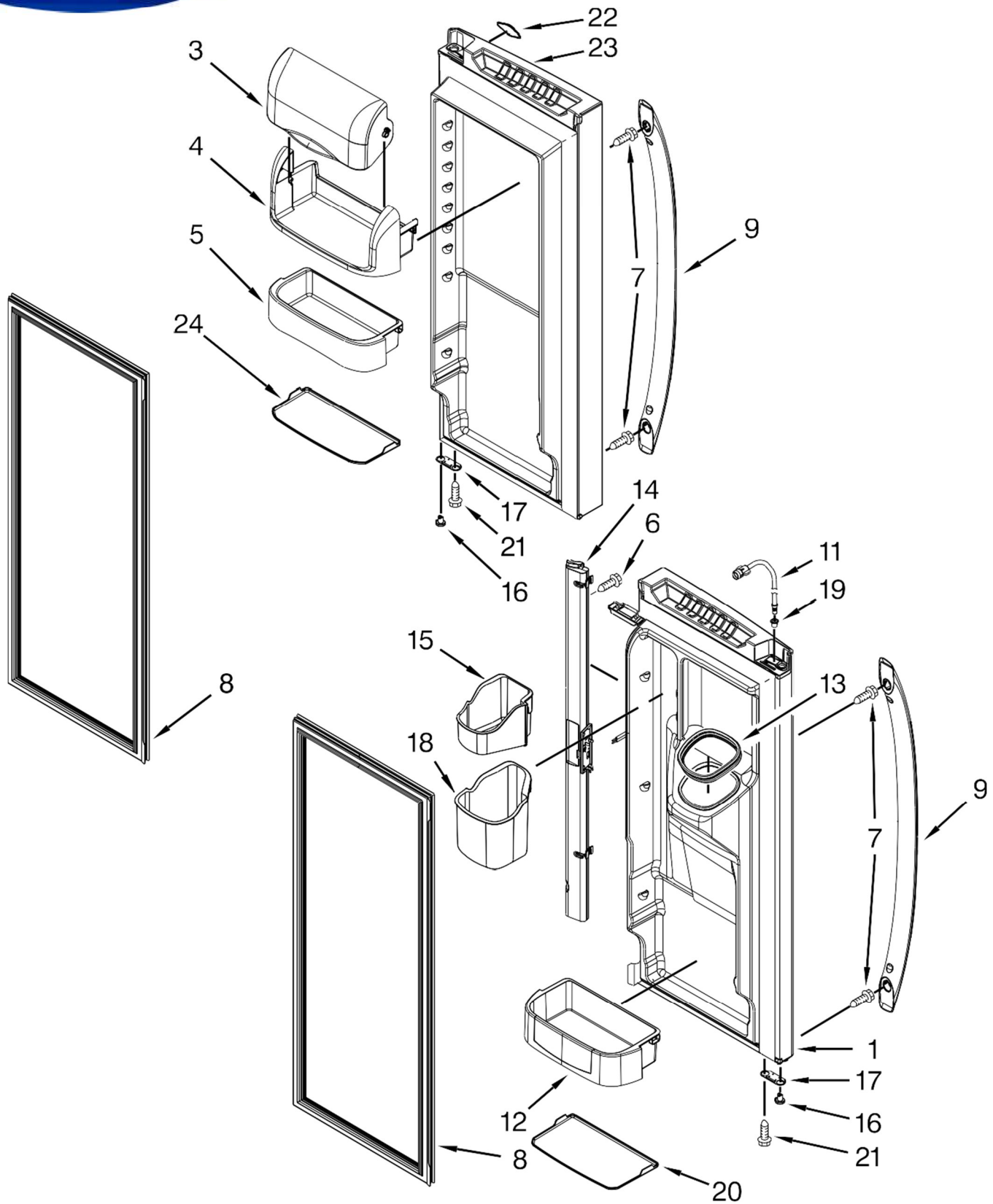
No.	Part No.	Description
1		Liner (Not A Seviceable Part)
2	W10309238	Extension, Drain Tube
3	12002497	Gear
4	12791406SP	Thermistor
5	12812903WD	Shaft, Rack
6	12570701	Socket, Light
9	W10311527	Bulb, Light
10	W10277466	Housing, Foil
11	W10308421	Cover, Evaporator
12	12990511	Screw

Illus.

No.	Part No.	Description
14	W10315248	Module, Light
15	12956601	Clip, Fan Motor
16	12466111SP	Switch, Light
17	12990504	Screw
19	13055901	Slide, Drawer
20	A3189397	Gasket, Foam
21		Adapter
	W10544957	Left Hand
	W10544958	Right Hand
22	12959901	Grille, Air
23	12951401	Shroud, Evaporator

Illus.

No.	Part No.	Description
24	12986101	Blade, Fan
25	12951101	Grommet, Fan Motor
26	W10162809	Motor, Evaporator Fan
27	D7753903	Funnel, Drain
28	M0500703	Seal
29	B8381501	Gasket, Drain
30	A3189392	Gasket, Foam
31	12815301	Cover, Thermistor
32	12990501	Screw



Illus.

No. Part No. Description

1		Door, Left
	13107873S	Stainless
3	12804701SP	Door, Dairy
4	12369502SP	Tray, Dairy
5	W10119841	Bucket, Medium
6	12990204	Screw
7	W10303465	Screw
8		Gasket, Door
	W10443238	Grey
9		Handle, Door
	W10314517K	Stainless

Illus.

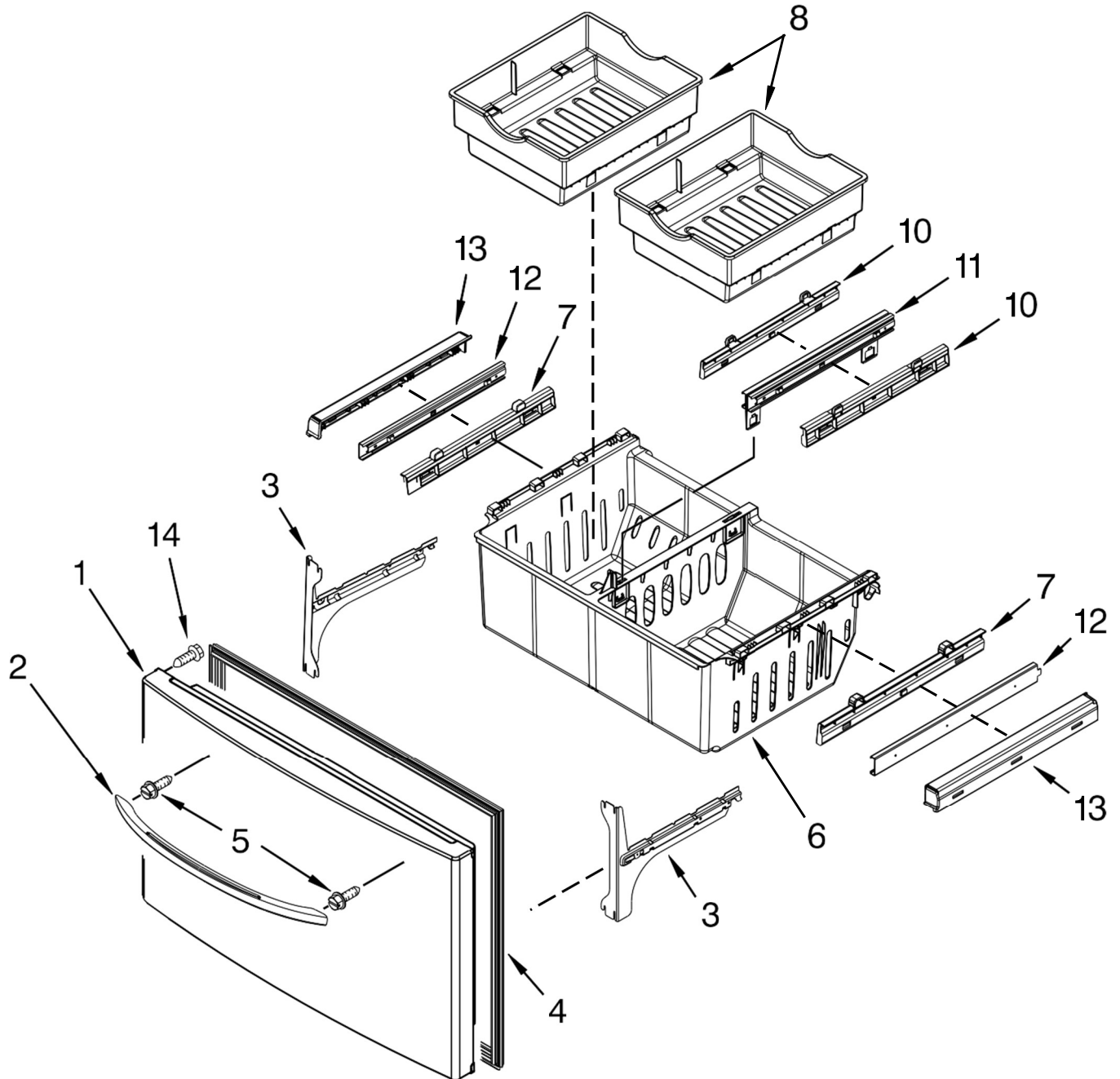
No. Part No. Description

11	W10275942	Tube, Water
12	W10119846	Bin, Shelf (Gallon)
13	12665101SP	Seal, Ice Chute
14		Mullion, Door
	12732503AP	Grey
15	12977401	Bucket, Door Upper
16		Closure, Door
	12028505AP	Grey
17		Stop, Door
	12968202AP	Grey

Illus.

No. Part No. Description

18	12977501	Bucket, Door Lower
19	12996601	Clip, Bushing
20	W10450019	Gripper, Gallon
21	12990521	Screw
22		Nameplate
	W10243391	Stainless
23		Door, Right
	13107867S	Stainless
24	W10450018	Gripper, Medium



Illus.**No. Part No. Description**

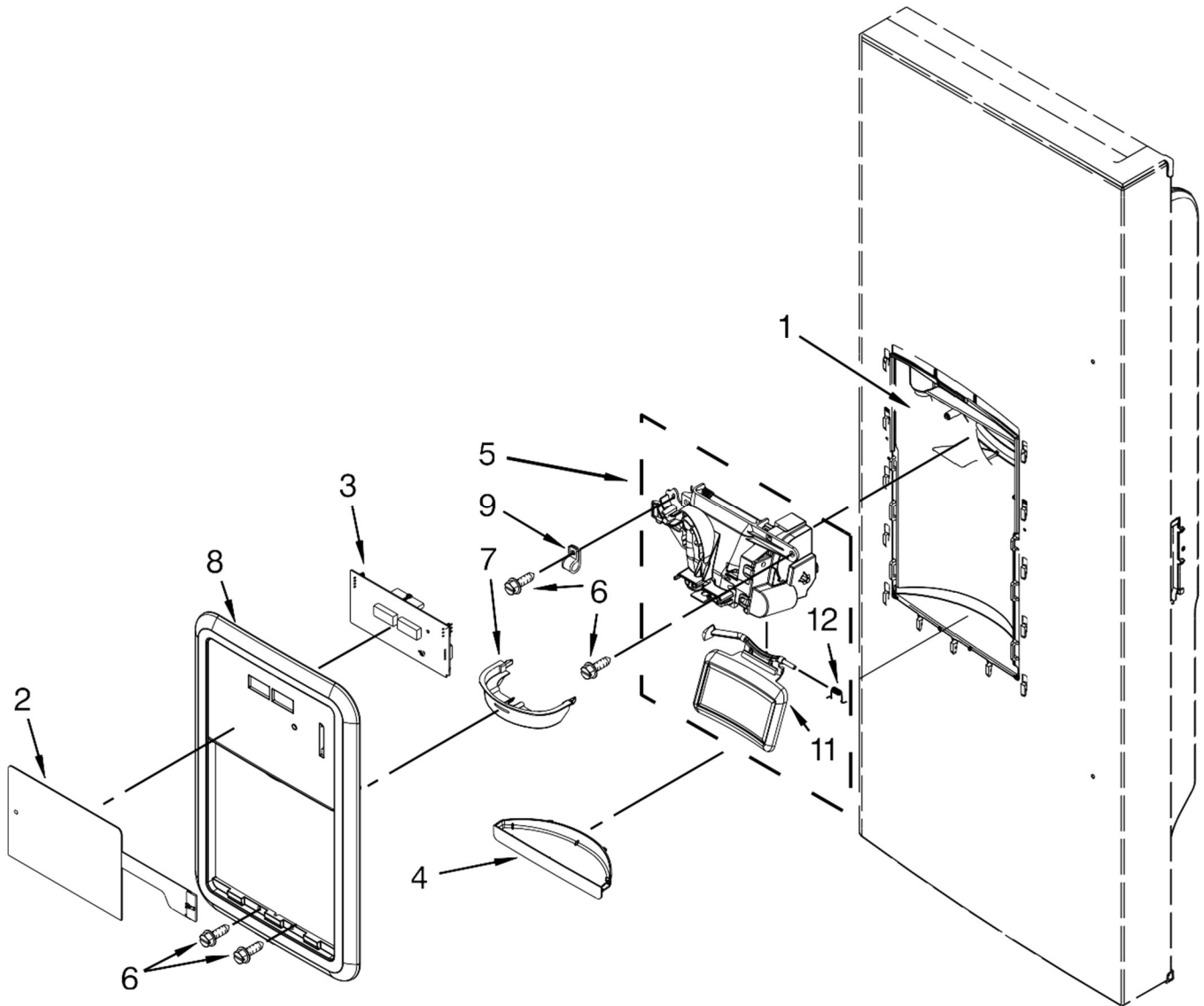
1	Freezer Door
12977874S	Stainless
2	Handle, Door
W10314517K	Stainless
3	Bracket, Door Slide
W10330994	Left Hand
W10330995	Right Hand

Illus.**No. Part No. Description**

4	Gasket, Door
W10443322	Grey
5	W10303465 Screw
6	13002801SP Bin, Lower
7	13002603SP Adapter, Outer Bin
8	13002402 Bin, Upper
10	13002604SP Adapter, Center Bin

Illus.**No. Part No. Description**

11	W10235358 Bracket/Glide Assembly
12	W10235368 Glide, Upper
13	Retainer, Glide
	13002702SP Right Hand
	13002701SP Left Hand
14	12990521 Screw



Illus.

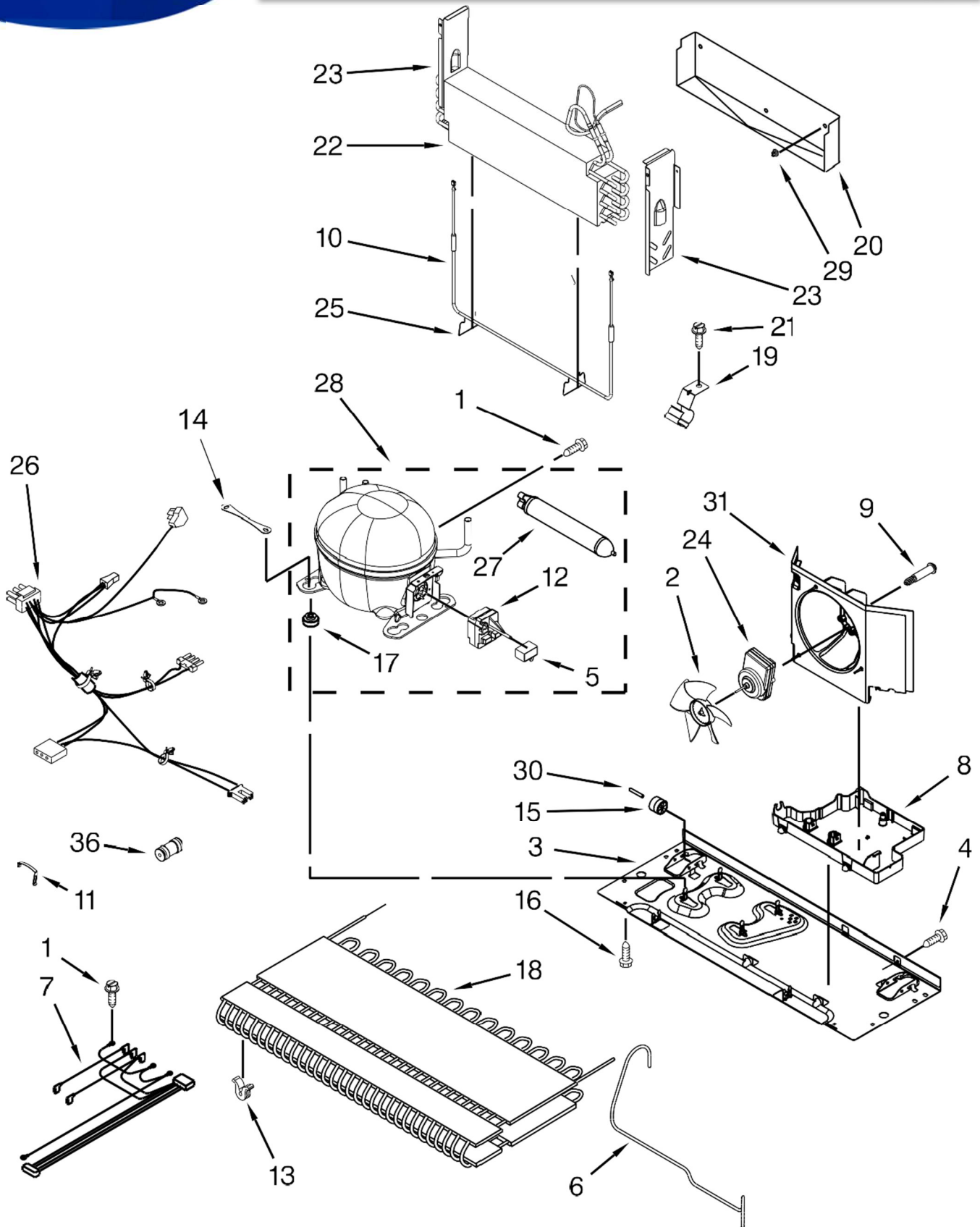
<u>No.</u>	<u>Part No.</u>	<u>Description</u>
1		Housing, Dispenser (Not Serviced)
2	W10180050	Dispenser Keyboard
3	13053103SP	LCD Control Assembly
4		Sump, Dispenser
	W10448627	Stainless
5		Chute, Ext/Yoke (Includes Switch)
	13005705	Grey

Illus.

<u>No.</u>	<u>Part No.</u>	<u>Description</u>
6	12990513	Screw
7	12958301	Ring, Target
8		Facade, Dispenser
	W10310691	Stainless
9	M0108106	Clamp, Tube

Illus.

<u>No.</u>	<u>Part No.</u>	<u>Description</u>
11		Yoke/Pad Assy.
	W10185233	Stainless
12	12565502	Spring, Chute Door



Illus.

No. Part No. Description

1	12992301	Screw
2	12825803	Blade, Fan
3	W10480111	Basepan
4	12990511	Screw
5	W10350564	Capacitor
6	W10233569	Tube, Discharge
7	W10257095	Harness, Evaporator & Heater(Includes Thermostat)
8	W10296785	Pan, Drain
9	W10216919	Screw, Shoulder
10	12729123	Heater, Defrost
11	W10174384	Strap, Bale
12	W10448874	Device, Start
13	W10137529	Grommet, Condenser
14	W10236396	Strap, Compressor

Illus.

No. Part No. Description

15	12477102	Roller
16	12992101	Screw
17	10835903SP	Grommet, Compressor
18	W10346415	Condenser
19	W10281329	Clip, Drier
20	W10292803	Tray, Drip
21	12990701	Screw
22	W10313899	Evaporator
23		Dam
	12963102SP	Right Hand
	12963002SP	Left Hand
24	W10239053	Motor, Fan
25	10428101	Clip, Heater
26	W10234027	Harness, Unit (Includes Power Cord)
27	W10143759	Drier

Illus.

No. Part No. Description

28	W10445423	Compressor
29	10623002	Clip, Evaporator
30	12477202	Axle, Roller
31	W10189184	Shroud
36	W10334458	Connector, Water Tube

Following Parts Not Illustrated

978025	Valve, Access
978026	Valve, Access
978027	Valve, Access
978028	Valve, Access
978029	Valve, Access
978030	Valve, Access
876764	Valve, Access
	REFRIGERANT CHARGE
	4.25 Oz. (R-134A)

OPTIONAL PARTS (NOT INCLUDED)

PAINT, TOUCH-UP (1/2OZ.)

<u>Illus.</u> <u>No.</u>	<u>Part No.</u>	<u>Description</u>
	72017	White
	72032	Black
	511873	White Porcelain (2 oz.)
	4392899	Biscuit/Bisque

PAINT, PRESSURIZED SPRAY (12 OZ.)

<u>Illus.</u> <u>No.</u>	<u>Part No.</u>	<u>Description</u>
	350930	White
	350939	Enamel, Black
	285006	Black
	350942	White Primer
	4392901	Biscuit/Bisque

PAINT, BULK (1 QT.)

<u>Illus.</u> <u>No.</u>	<u>Part No.</u>	<u>Description</u>
	799344	White

MISCELLANEOUS

<u>Illus.</u> <u>No.</u>	<u>Part No.</u>	<u>Description</u>
	212643	Sealer, Gum (4 Feet)
	479502	Tape, Vinyl (3/4 x 108")
	876370	Insulation (2 Pieces, 3" x 24" x 48")
	876305	Insulation Kit (14 Pieces, 3" x 24" x 48")
	978941	Insulation, Fiberglass (63 1/2" x 35 1/2" x 2 5/8")
	876029	Kit, Foam Slab (30" x 32 1/2" x 1 1/2")
	505587	Sealer, Mastic (1 Qt)
	503695	Cork, Sealer
	20000008	Cleaner, Stainless Steel
	542638	Grease, Silicone (1/2 Oz.)
	542639	Cement, Alumilastic (1 1/4 Oz.)
	833938	Kit, Terminal Connector

TORX SCREW WRENCH

<u>Illus.</u> <u>No.</u>	<u>Part No.</u>	<u>Description</u>
	1117510	Torx Key