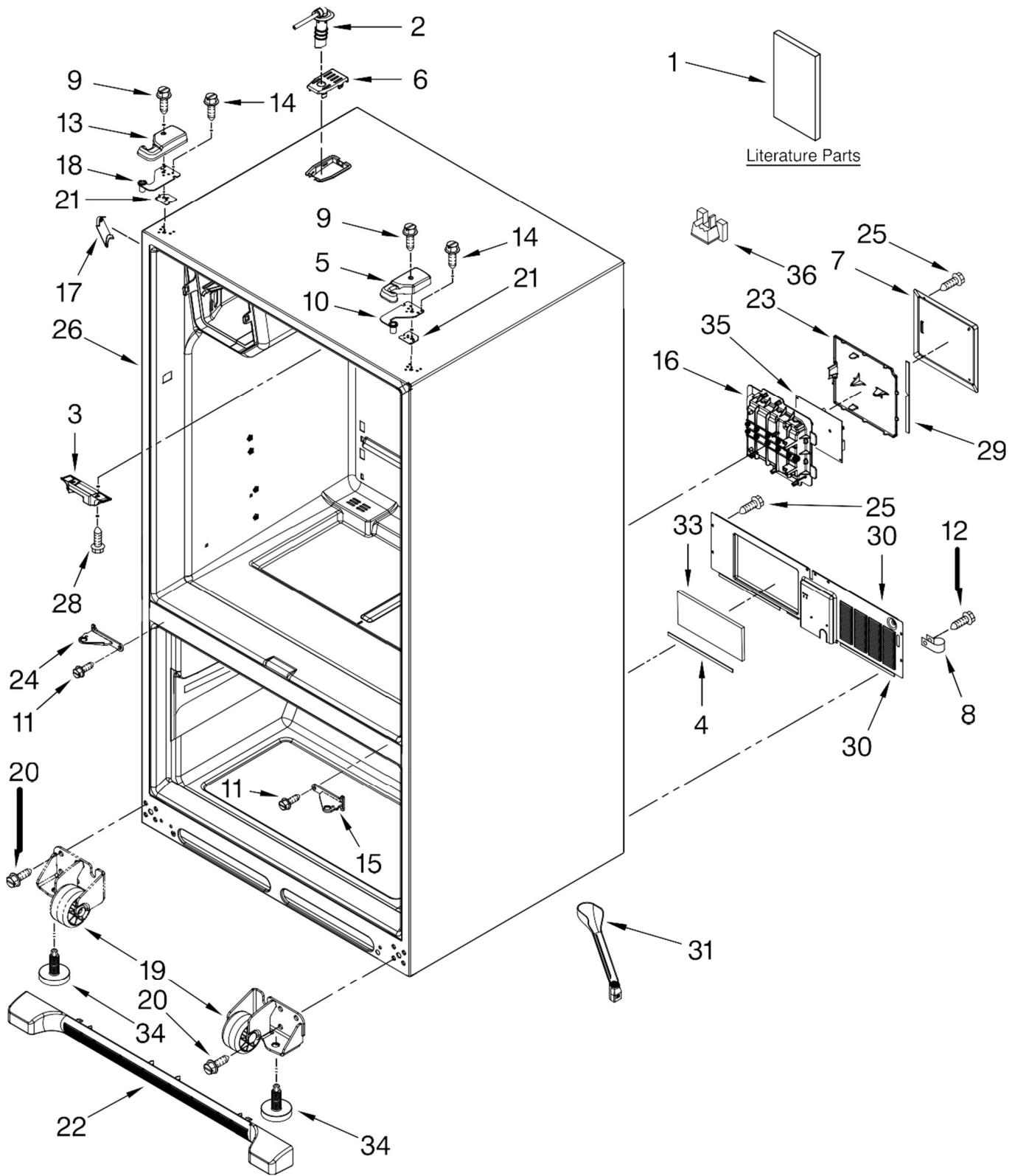




# REFRIGERADOR KFIS20XV





# REFRIGERADOR KFIS20XV

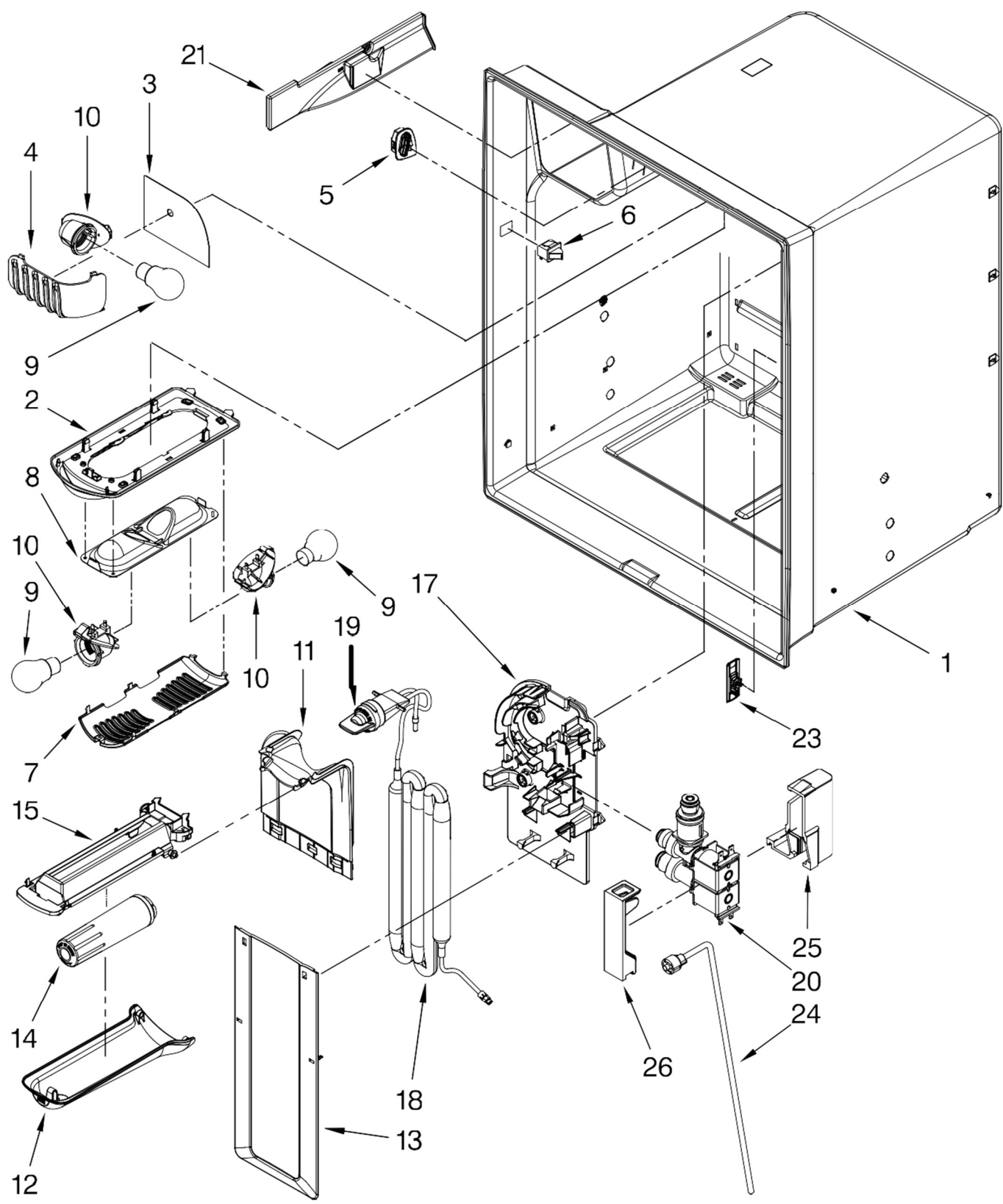
| Illus. No. | Part No.   | DESCRIPTION                  |
|------------|------------|------------------------------|
| 1          |            | Literature Parts             |
|            | W10308616  | Tech Sheet                   |
|            | 12828191SP | Use & Care Guide             |
|            | W10202397  | Guide, Energy                |
| 2          | 12961401   | Tube W/Waterline, Fill-IM    |
| 3          | 12698403   | Block, Pivot                 |
| 4          | B5759655   | Gasket, MC Back              |
| 5          |            | Cover, Top Hinge (Right)     |
|            | 12962302AP | Apollo Grey Cover, Fill Tube |
| 6          | 12981401AP | Apollo Grey                  |
| 7          | 12961602   | Cover, Control Box           |
| 8          | M0108107   | Clamp, Tube                  |
| 9          | 12992602   | Screw, Hinge Cover           |
| 10         | 12963205ED | Hinge, Top Right             |

| Illus. No. | Part No.   | DESCRIPTION             |
|------------|------------|-------------------------|
| 11         | 12992201   | Screw, Center Hinge     |
| 12         | 12990511   | Screw (3)               |
| 13         |            | Cover, Top Hinge (Left) |
|            | W10217488  | Apollo Grey             |
| 14         | 12992403   | Screw, Top Hinge        |
| 15         |            | Hinge, Center (RT)      |
|            | 13000002AP | Apollo Grey             |
| 16         | 12957601   | Box, HV Control         |
| 17         |            | Cover, Corner (2)       |
|            | 12587703AP | Apollo Grey             |
| 18         | 12963204ED | Hinge, Top Left         |
| 19         |            | Roller Assy. (Front)    |
|            | W10275849  | Right                   |
|            | W10275850  | Left                    |
| 20         | 12991302   | Screw (8)               |

| Illus. No. | Part No.   | DESCRIPTION                     |
|------------|------------|---------------------------------|
| 21         |            | Shim, Top Hinge                 |
|            | 12999501   | Left                            |
|            | 12999502   | Right                           |
| 22         |            | Grille, Toe                     |
|            | W10244558  | Apollo Grey                     |
| 23         | 12957701   | Lid, HV Control                 |
| 24         |            | Hinge, Center (LT)              |
|            | 13000001AP | Apollo Grey                     |
| 25         | 12990702   | Screw, Cover                    |
| 26         |            | Cabinet (Not A Servicable Part) |
| 28         | 12990302   | Screw, Block                    |
| 29         | 12957801   | Gasket, HV Control              |
| 30         | W10270394  | Cover, MC Back                  |
| 31         | W10210988  | Tube, Drain                     |
| 33         | 12820505   | Fiber, Acoustic                 |
| 34         | W10141622  | Brake, Foot                     |
| 35         | W10310240  | Board, HV Control               |
| 36         | 12777701   | Block, Filter                   |



# REFRIGERADOR KFIS20XV



BENITO JUÁREZ #1500 GPE ZITON, CD. GUADALUPE NUEVO LEÓN TEL: 8183377999 Y 49  
HORARIOS: LUNES A VIERNES 8:30 A 6:00 PM Y SÁBADOS DE 8:30 A 2:00 PM  
[www.denek.com](http://www.denek.com)

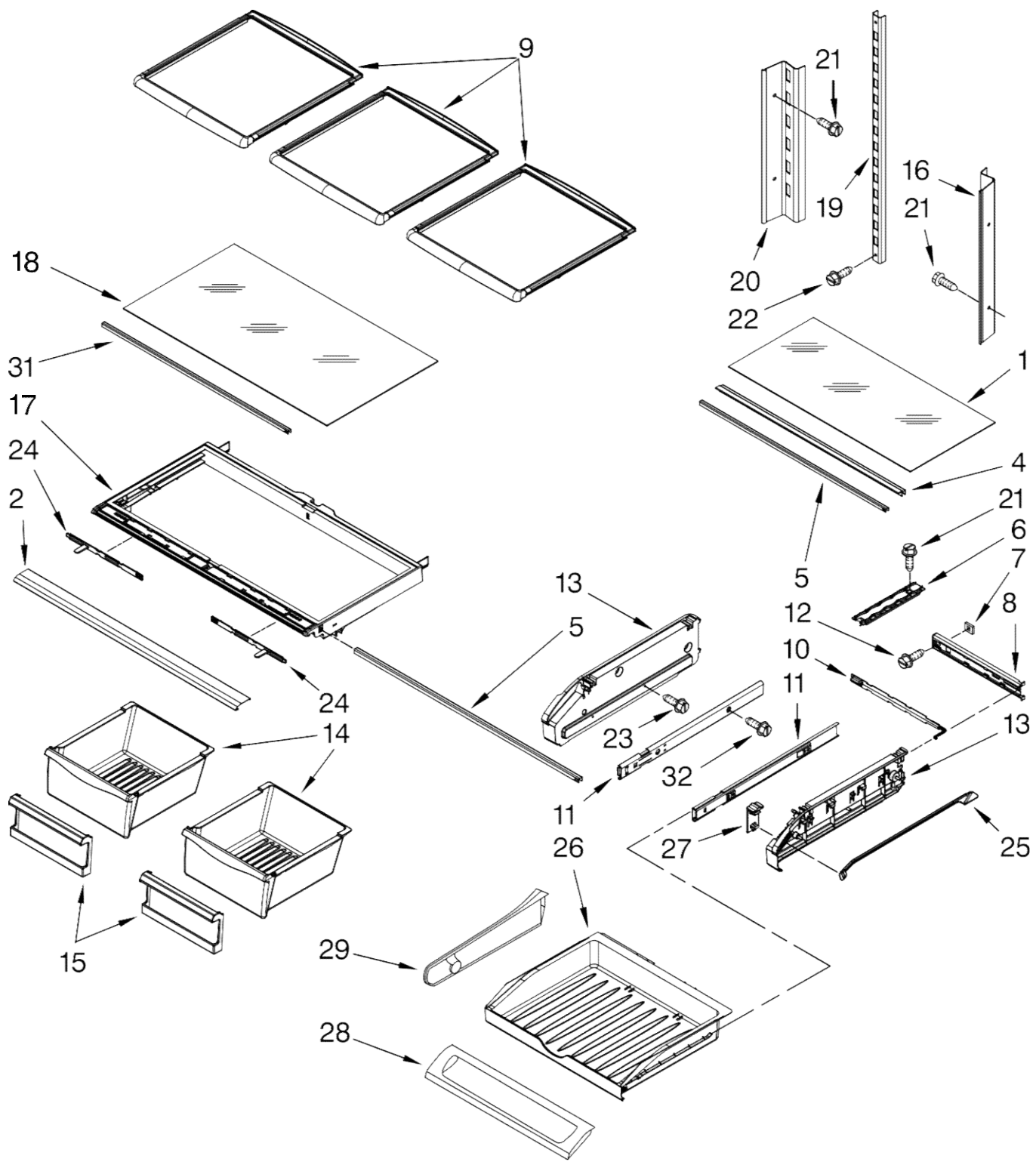


## REFRIGERADOR KFIS20XV

| <b>Illus. No.</b> | <b>Part No.</b> | <b>DESCRIPTION</b>               |
|-------------------|-----------------|----------------------------------|
| 1                 |                 | Liner (Not A Serviceable Part)   |
| 2                 | 12905803        | Module, Light                    |
| 3                 | 12691605        | Foil, Light                      |
| 4                 | 12921801        | Cover, Light                     |
| 5                 | 13008201        | Grille, Air                      |
| 6                 | 12466103        | Switch, Light (2)                |
| 7                 | 12905902        | Cover, Light                     |
| 8                 | 12806601V       | Housing, Light                   |
| 9                 | 2255743N        | Bulb, Light                      |
| 10                | 12570701        | Socket, Light                    |
| 11                | 12960101        | Cover, Water Tank (Upper)        |
| 12                | 12960301        | Lid, Water Filter                |
| 13                | 12960001        | Cover, Water Tank (Lower)        |
| 14                | UKF8001AXX      | Filter, Water                    |
| 15                | 12955901        | Bracket, Filter Base             |
| 17                | 12956001        | Bracket, Water Tank & Valve      |
| 18                | W10273376       | Water Tank & Head Assembly       |
| 19                | 12664501SP      | Plug, Bypass                     |
| 20                | 12956102        | Valve, Water Inlet               |
| 21                | 13033601        | Cover, Ice Box Harness           |
| 23                | 12987301        | Cover, Chiller Vent              |
| 24                | 12962202        | Waterline, Cabinet (W/Nut)       |
| 25                | W10118193       | Enclosure, Water Valve Connector |
| 26                | W10118194       | Lid, Enclosure                   |



# REFRIGERADOR KFIS20XV



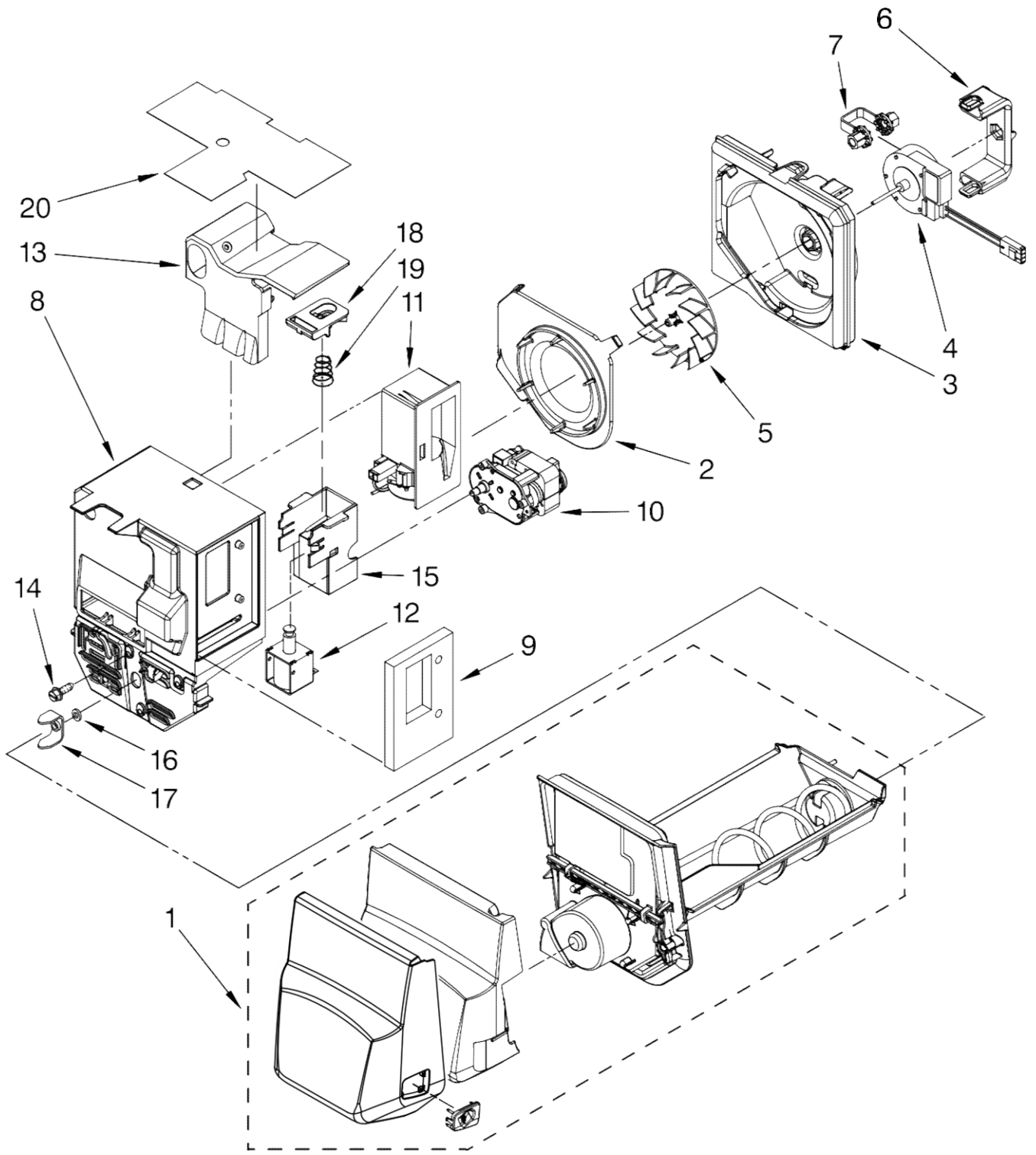


# REFRIGERADOR KFIS20XV

| <b>Illus. No.</b> | <b>Part No.</b> | <b>DESCRIPTION</b>                     |
|-------------------|-----------------|--|
| 1                 | 12204829        | Glass, Pantry                          |
| 2                 | W10231486       | Trim, Crisper                          |
| 4                 | 12655902SP      | Support, Pantry(2)                     |
| 5                 | 12227305WD      | Brace, Pantry (2)                      |
| 6                 | 12531901        | Track, Pantry                          |
| 7                 | 12656901        | Gasket, Pantry                         |
| 8                 | 12656202        | Housing, Control                       |
| 9                 | 12463912        | Shelf, Glide (3)                       |
| 10                | 12655402        | Slide, Temperature                     |
| 11                | W10235370       | Glide, Drawer (2)                      |
| 12                | 12990513        | Screw                                  |
| 13                |                 | Endcap, Pantry                         |
|                   | 12656105        | Left                                   |
|                   | 12656021        | Right                                  |
| 14                | 12531105SP      | Pan, Crisper (2)                       |
| 15                | 12909404SP      | Front, Crisper Pan                     |
| 16                | W10251967       | Ladder, Side RH                        |
| 17                | 12531202SP      | Frame, Crisper                         |
| 18                | 12204821        | Glass, Crisper<br>Cover                |
| 19                | W10273464       | Ladder, Center                         |
| 20                | W10251966       | Ladder, Side LH                        |
| 21                | 12990513        | Screw                                  |
| 22                | 12990515        | Screw                                  |
| 23                | 12990512        | Screw                                  |
| 24                | 12530805SP      | Slide, Humidity<br>Control             |
| 25                | 12655303        | Bar, Temperature<br>Control            |
| 26                | 12655702        | Drawer, Pantry                         |
| 27                | 12655204V       | Knob, Temperature<br>Control           |
| 28                | 12656817        | Lid, Pantry<br>Drawer<br>Crisper Frame |
| 29                | 12709301        | Divider, Pantry                        |
| 31                | 12227304WD      | Brace, Crisper                         |
| 32                | 12990504        | Screw                                  |



# REFRIGERADOR KFIS20XV



FOR ORDERING INFORMATION REFER TO PARTS PRICE LIST

BENITO JUÁREZ #1500 GPE ZITON, CD. GUADALUPE NUEVO LEÓN TEL: 8183377999 Y 49  
HORARIOS: LUNES A VIERNES 8:30 A 6:00 PM Y SÁBADOS DE 8:30 A 2:00 PM  
[www.denek.com](http://www.denek.com)



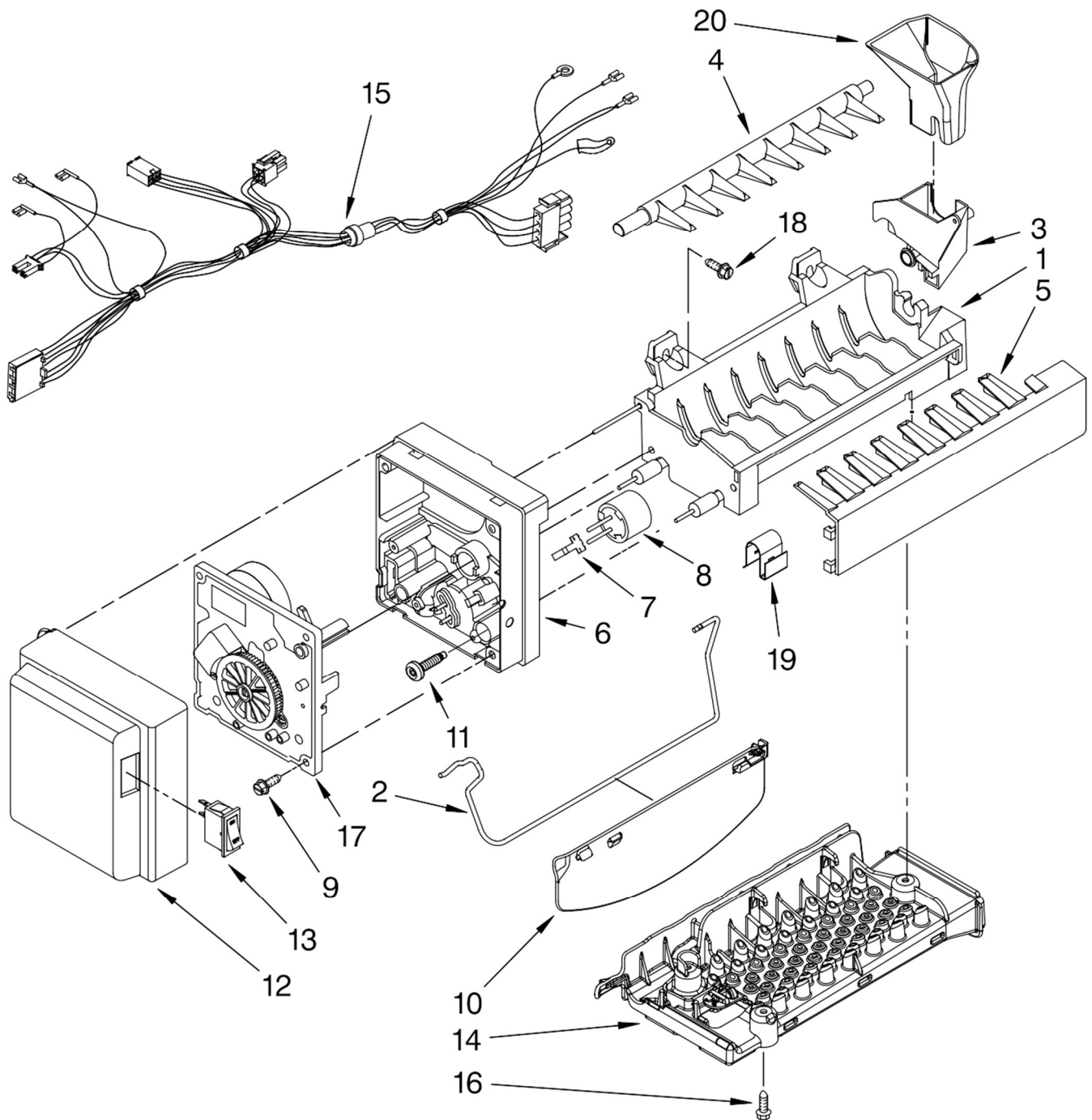
## REFRIGERADOR KFIS20XV

| <b>Illus. No.</b> | <b>Part No.</b> | <b>DESCRIPTION</b>                   |
|-------------------|-----------------|--------------------------------------|
| 1                 | 13012610        | Ice Bin Assembly<br>(Includes Auger) |
| 2                 | W10121282       | Inlet, Blower                        |
| 3                 | W10121281       | Scroll, Blower                       |
| 4                 | W10162697       | Motor, Fan                           |
| 5                 | W10123444       | Wheel, Blower                        |
| 6                 | 12956603SP      | Clip, Fan Motor                      |
| 7                 | W10151687       | Grommet, Fan Motor                   |
| 8                 | 12958407SP      | Divider, Ice Box                     |
| 9                 | 12920001SP      | Gasket, Damper                       |
| 10                | 12955405        | Motor, Auger                         |
| 11                | W10127427       | Damper, Control                      |
| 12                | 13028201SP      | Solenoid                             |
| 13                | W10118612       | Liner, Divider                       |
| 14                | 12990511        | Screw (3)                            |
| 15                | 12958602SP      | Bracket, Solenoid                    |
| 16                | 420107A700      | Washer                               |
| 17                | 63052A001       | Yoke, Ice<br>Dispenser               |
| 18                | 12958502SP      | Yoke, Solenoid                       |
| 19                | 12942401SP      | Spring, Solenoid                     |
| 20                | W10142628       | Foil, Ice Box                        |





# REFRIGERADOR KFIS20XV





# REFRIGERADOR KFIS20XV

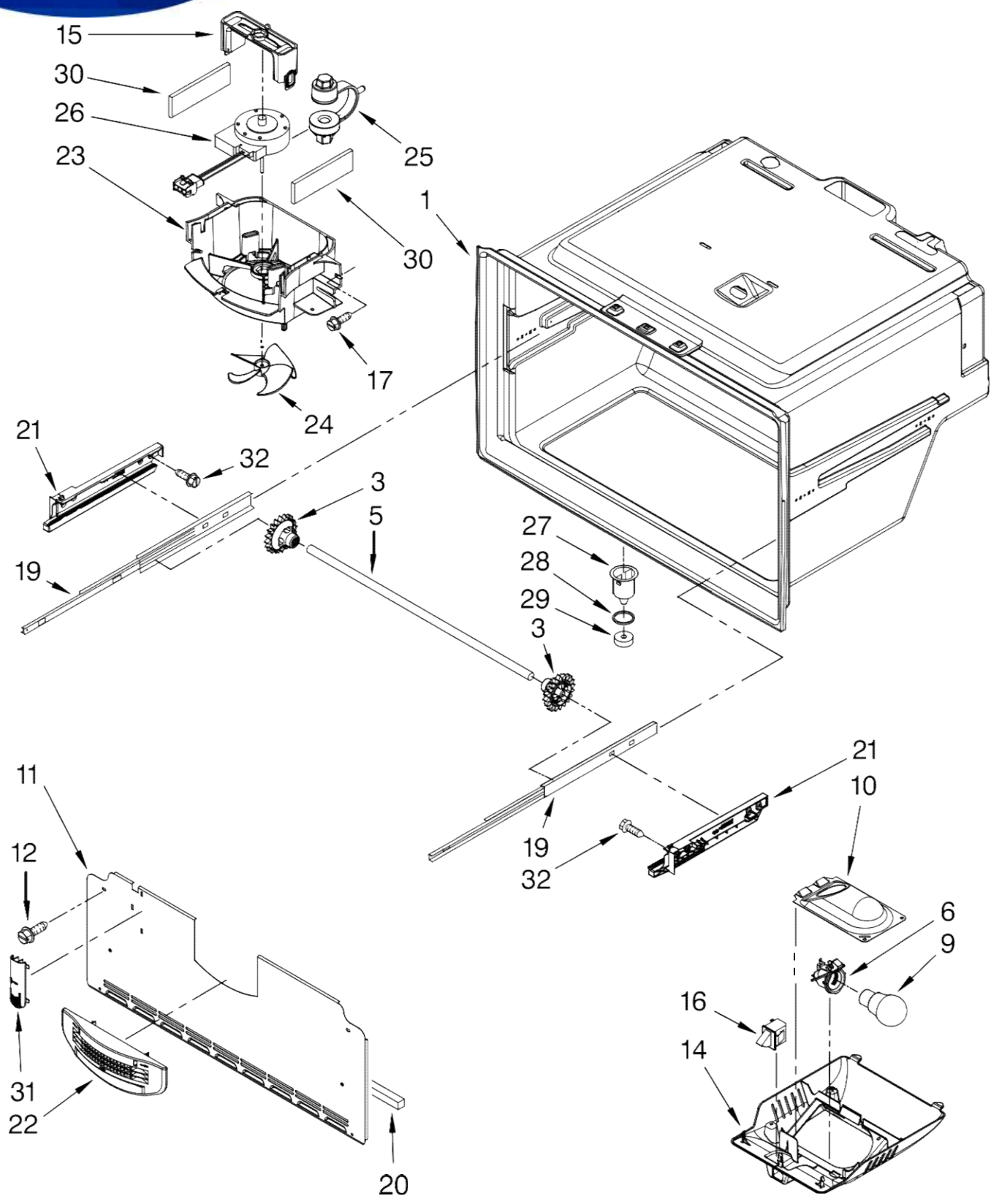
| <b>Illus. No.</b> | <b>Part No.</b> | <b>DESCRIPTION</b>                                |
|-------------------|-----------------|---|
| 1                 | W10122527       | Mold & Heater Assembly (Also Order 542638 Grease) |
| 2                 | W10175514       | Arm, Shutoff                                      |
| 3                 | 628515          | Cup, Fill   |
| 4                 | 627843          | Ejector   |
| 5                 | 2182124         | Ice Stripper                                      |
| 6                 | 2194712         | Support, Housing                                  |
| 7                 | 2315522         | Retainer, Thermostat                              |
| 8                 | 628397          | Thermostat (Also Order 542369 Cement)             |
| 9                 | 489276          | Screw (3)   |
| 10                | W10121440       | Extension, Shutoff Arm                            |
| 11                | 8533917         | Screw (2)   |
| 12                | W10121444       | Cover   |
| 13                | 2313326         | Switch, On-Off                                    |
| 14                | W10121269       | Impinger Assy.                                    |
| 15                | W10123395       | Harness, Icemaker                                 |
| 16                | 12990511        | Screw, Impinger                                   |
| 17                | W10223929       | Module Assembly                                   |
| 18                | 489276          | Screw (3)   |
| 19                | 628379          | Clip  |
| 20                | W10121434       | Insert, Fill Cup                                  |
| 100               | W10190981       | Icemaker Assembly                                 |

## Following Parts Not Illustrated

10244904SP Coupling



# REFRIGERADOR KFIS20XV



BENITO JUÁREZ #1500 GPE ZITON, CD. GUADALUPE NUEVO LEÓN TEL: 8183377999 Y 49  
HORARIOS: LUNES A VIERNES 8:30 A 6:00 PM Y SÁBADOS DE 8:30 A 2:00 PM  
[www.denek.com](http://www.denek.com)



# REFRIGERADOR KFIS20XV

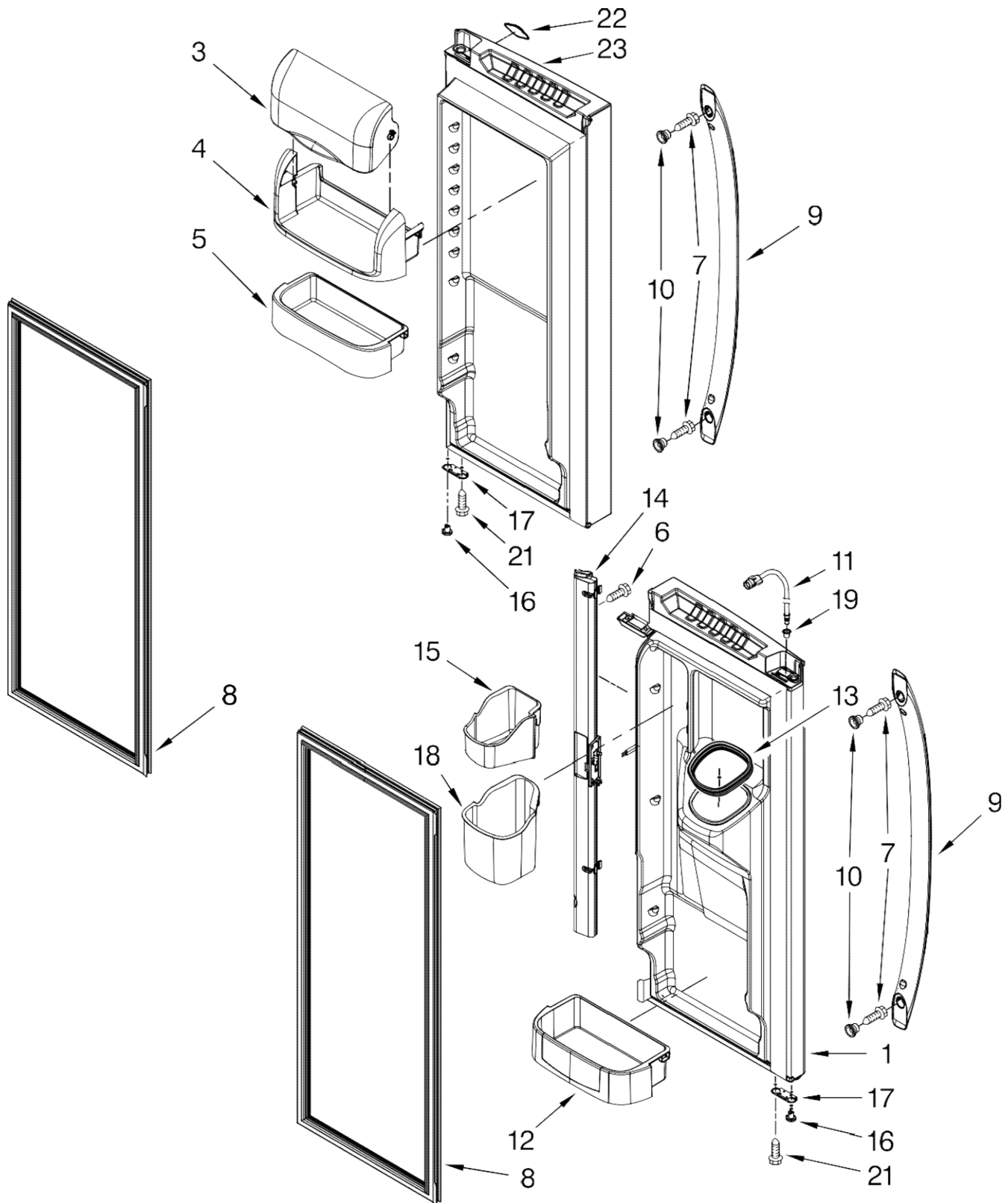
| <b>Illus. No.</b> | <b>Part No.</b> | <b>DESCRIPTION</b>             |
|-------------------|-----------------|--------------------------------|
| 1                 |                 | Liner (Not A Serviceable Part) |
| 3                 | 12002497        | Gear                           |
| 5                 | 12812903WD      | Shaft, Rack                    |
| 6                 | 12570701        | Socket, Light                  |
| 9                 | 2255743         | Bulb, Light                    |
| 10                | 12476401SP      | Housing, Light                 |
| 11                | W10308421       | Cover, Evap                    |
| 12                | 12990511        | Screw                          |
| 14                | 13027902SP      | Module, Freezer Light          |
| 15                | 12956601        | Clip, Fan Motor                |
| 16                | 12466111SP      | Switch, Rocker                 |
| 17                | 12990504        | Screw, Fan Shroud To Basket    |
| 19                | 13055901        | Slide, Drawer (2)              |
| 20                | A3189397        | Gasket, Foam                   |
| 21                |                 | Adapter                        |
|                   | W10284688       | Left                           |
|                   | W10284689       | Right                          |
| 22                | 12959901        | Grille, Air                    |
| 23                | 12951401        | Shroud, Evap Fan               |
| 24                | 12986101        | Blade, Fan (Evaporator)        |
| 25                | 12951101        | Grommet, Fan Motor (2)         |
| 26                | W10162809       | Motor, Evaporator Fan          |
| 27                | D7753903        | Funnel, Drain                  |
| 28                | M0500703        | Seal, O Ring                   |
| 29                | B8381501        | Gasket, Drain Tube             |
| 30                | A3189392        | Gasket, Foam                   |
| 31                | 12815301        | Cover, Thermistor              |
| 32                | 12990501        | Screw, Adapter                 |

## Following Parts Not Illustrated

12952005SP Harness, Light



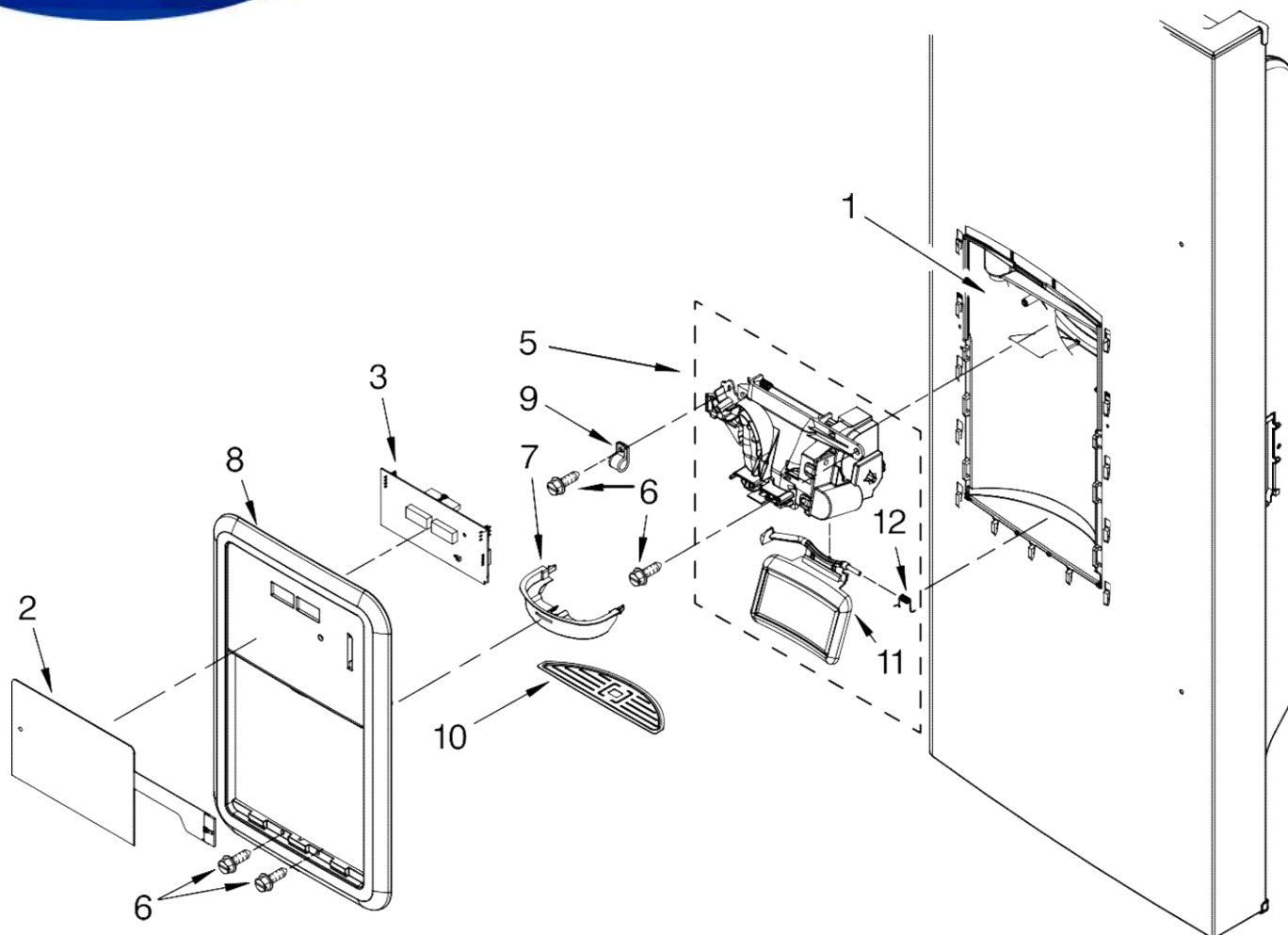
# REFRIGERADOR KFIS20XV





# REFRIGERADOR KFIS20XV

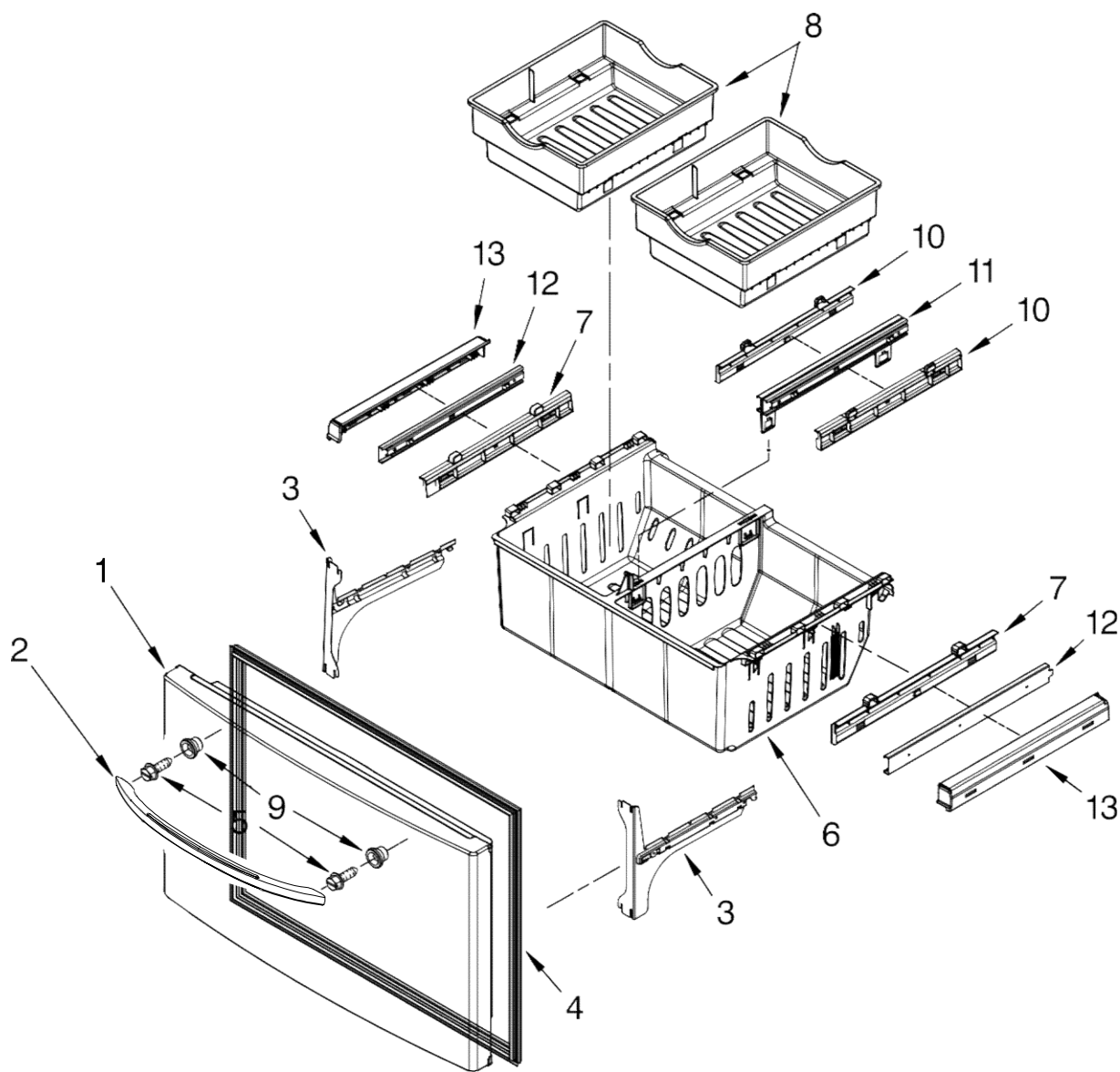
| <b>Illus. No.</b> | <b>Part No.</b> | <b>DESCRIPTION</b>   |
|-------------------|-----------------|--|
| 1                 | 13107817S       | Door, Left<br>Stainless                                    |
| 3                 | 12804701SP      | Door, Dairy  |
| 4                 | 12369502SP      | Tray, Dairy  |
| 5                 | W10184033       | Bin, Shelf<br>(Medium)<br>(Includes Gripper<br>#W10184031) |
| 6                 | 12990204        | Screw  |
| 7                 | W10290759       | Screw, Handle  |
| 8                 | W10163991       | Gasket, Door<br>Apollo Grey                                |
| 9                 | W10314517       | Handle, Door<br>Stainless                                  |
| 10                | 13001201        | Mount, Handle  |
| 11                | 12962106        | Waterline, Door  |
| 12                | W10184034       | Bin, Shelf<br>(Gallon)<br>(Includes Gripper<br>#W10184032) |
| 13                | 12665101SP      | Seal, Ice Chute  |
| 14                | 12722813AP      | Mullion, Door<br>Apollo Grey                               |
| 15                | 12977401        | Bucket, Dispenser<br>(Upper)                               |
| 16                | 12028505AP      | Closure, Door<br>Apollo Grey                               |
| 17                | 12968202AP      | Stop, Door<br>Apollo Grey                                  |
| 18                | 12977501        | Bucket, Dispenser<br>(Lower)                               |
| 19                | 12996601        | Clip, Bushing Wire<br>(Left Door)                          |
| 21                | 12990521        | Screw  |
| 22                | W10243391       | Nameplate<br>(Stainless)                                   |
| 23                | 13107814SQ      | Door, Right<br>Stainless                                   |



| Illus. No. | Part No.   | DESCRIPTION                       |
|------------|------------|-----------------------------------|
| 1          |            | Housing, Dispenser (Not Serviced) |
| 2          | W10180050  | Dispenser Keyboard                |
| 3          | 13053103SP | Board, L.V.                       |
| 5          |            | Chute, Ext/Yoke (Includes Switch) |
|            | 13005705   | Midnight Grey (Dark)              |
| 6          | 12990513   | Screw                             |
| 7          | 12958301   | Ring, Target                      |
| 8          |            | Facade, Dispenser                 |
|            | W10310691  | Apollo Grey                       |
| 9          | M0108106   | Clamp, Tube                       |
| 10         | W10187370  | Grille, Sump                      |
| 11         |            | Yoke/Pad Assy.                    |
|            | W10185233  | Midnight Grey (Dark)              |
| 12         | 12565502   | Spring                            |



# REFRIGERADOR KFIS20XV



| Illus. No. | Part No.   | DESCRIPTION                    | Illus. No. | Part No.   | DESCRIPTION                 | Illus. No. | Part No.   | DESCRIPTION               |
|------------|------------|--------------------------------|------------|------------|-----------------------------|------------|------------|---------------------------|
| 1          | 12977842SQ | Freezer Door<br>Stainless      | 4          | W10164045  | Gasket, Door<br>Apollo Grey | 10         | 13002604SP | Adapter, Bin<br>(Inner)   |
| 2          | W10314517  | Handle, Door<br>Stainless      | 5          | W10290759  | Screw, Handle               | 11         | W10235358  | Bracket/Glide<br>Assembly |
| 3          | W10119064  | Bracket, Door<br>Slide<br>Left | 6          | 13002801SP | Bin, Lower                  | 12         | W10235368  | Glide, Upper              |
|            | W10119295  | Right                          | 7          | 13002603SP | Adapter, Bin<br>(Outer)     | 13         | 13002702SP | Right                     |
|            |            |                                | 8          | 13002402   | Bin, Upper                  |            | 13002701SP | Left                      |
|            |            |                                | 9          | 13001201   | Mount, Handle               |            |            |                           |

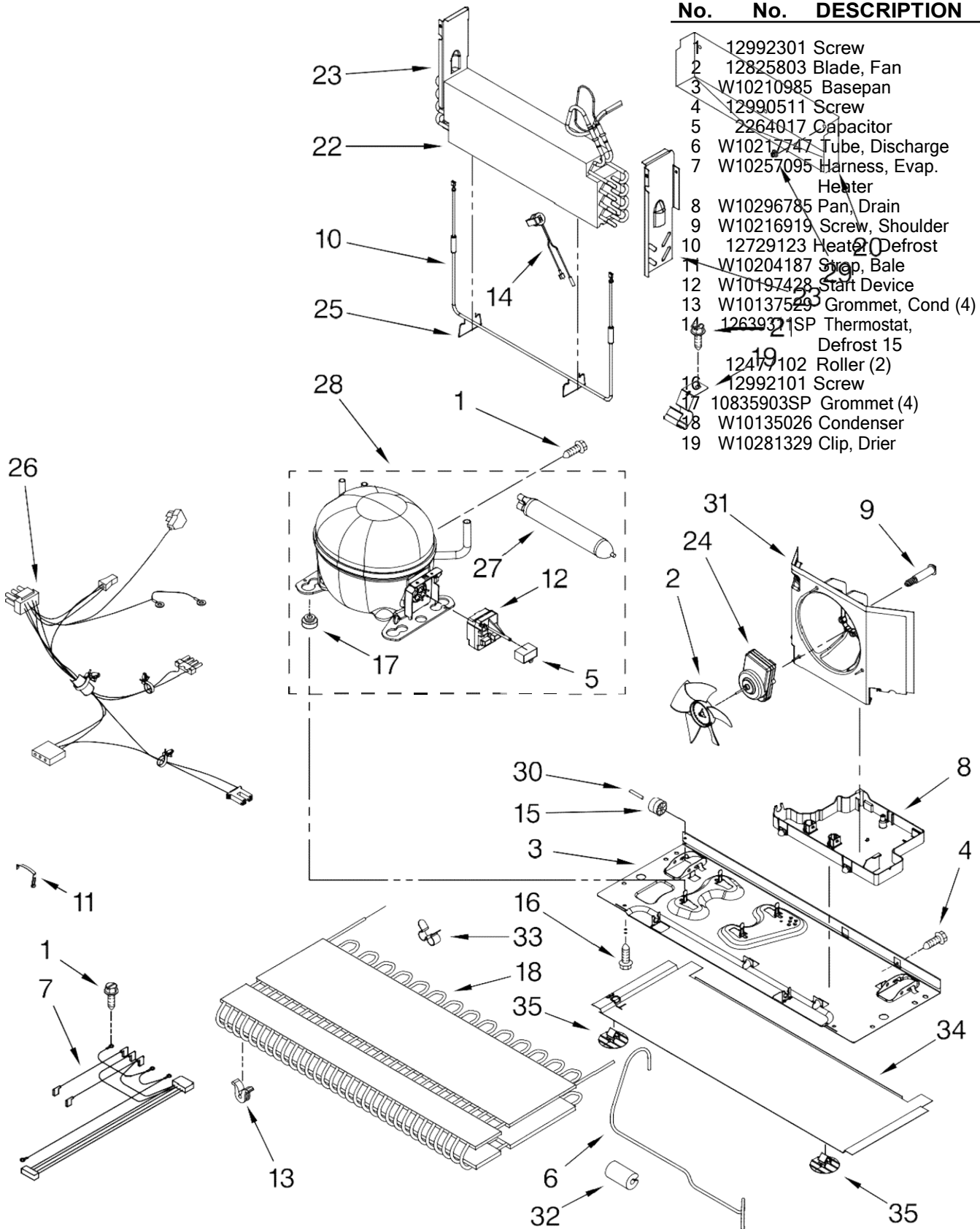




# REFRIGERADOR KFIS20XV

**Illus. Part**  
**No. No. DESCRIPTION**

| Illus. No. | Part No.  | DESCRIPTION               |
|------------|-----------|---------------------------|
| 1          | 12992301  | Screw                     |
| 2          | 12825803  | Blade, Fan                |
| 3          | W10210985 | Basepan                   |
| 4          | 12990511  | Screw                     |
| 5          | 2264017   | Capacitor                 |
| 6          | W10217747 | Tube, Discharge           |
| 7          | W10257095 | Harness, Evap. Heater     |
| 8          | W10296785 | Pan, Drain                |
| 9          | W10216919 | Screw, Shoulder           |
| 10         | 12729123  | Heater Defrost            |
| 11         | W10204187 | Strip, Bale               |
| 12         | W10197428 | Start Device              |
| 13         | W10137529 | Grommet, Cond (4)         |
| 14         | 1263931   | SP Thermostat, Defrost 15 |
| 15         | 12479102  | Roller (2)                |
| 16         | 12992101  | Screw                     |
| 17         | 10835903  | SP Grommet (4)            |
| 18         | W10135026 | Condenser                 |
| 19         | W10281329 | Clip, Drier               |





# REFRIGERADOR KFIS20XV

(3/8")  
 978028 Valve, Access  
 (1/2")  
 978029 Valve, Access  
 (5/8")  
 978030 Valve, Access

(3/4")  
 876764 Valve, Access  
 (3/16")

| Illus. No.  | Part No. | DESCRIPTION           |
|---|----------|-----------------------|
| Following Parts Not Illustrated and Optional Parts Not Included |          |                       |
|   | 978025   | Valve, Access (1/4")  |
|   | 978026   | Valve, Access (5/16") |
|   | 978027   | Valve, Access         |

| Illus. No. | Part No.   | DESCRIPTION                             |
|------------|------------|---|
| 20         | W10292803  | Tray, Drip                              |
| 21         | 12990701   | Screw                                   |
| 22         | 12959803   | Evaporator                              |
| 23         |            | Dam                                     |
|            | 12963102SP | Right Side                              |
|            | 12963002SP | Left Side                               |
| 24         | W10239053  | Motor, Fan                              |
| 25         | 10428101   | Clip, Heater                            |
| 26         | W10234027  | Harness, Unit with Power Cord           |
| 27         | W10143759  | Drier                                   |
| 28         | W10134623  | Compressor (Includes items 11,12,17,27) |
| 29         | 10623002   | Clip, Evaporator                        |
| 30         | 12477202   | Axle, Roller (2)                        |
| 31         | W10189184  | Shroud                                  |
| 32         | 2319835    | Grommet, Condenser                      |
| 33         | W10196187  | Clip, Condenser                         |
| 34         | W10206338  | Extension, Basepan                      |
| 35         | W10206339  | Fastener, Basepan                       |

### REFRIGERANT CHARGE

5.25 Ozs.  
 (R-134A)

# OPTIONAL PARTS (NOT INCLUDED)

For Model: KFIS20XVMS3  
(Monochromatic Stainless)

| Illus. No.  | Part No. | DESCRIPTION                          | Illus. No.           | Part No. | DESCRIPTION   | Illus. No.               | Part No. | DESCRIPTION      |
|---|----------|--------------------------------------|----------------------|----------|---|--------------------------|----------|------------------|
| Parts Not Illustrated and<br>Optional Parts (Not Included)  |          |                                      | <b>Miscellaneous</b> |          |   | <b>TORX SCREW WRENCH</b> |          |                  |
| <b>Customer Touch-Up Material</b>   |          |                                      |                      |          |   |                          |          | 1117510 Torx Key |
|   | *350942  | Primer, White<br>(13 Oz. Spray Can)  |                      | 212643   | Sealer, Gum<br>(4 Feet)                                     |                          |          |                  |
|   | *350939  | Enamel, Black<br>(13 Oz. Spray Can)  |                      | 479502   | Tape, Vinyl<br>(3/4 x 108")                                 |                          |          |                  |
|   | *350930  | Enamel, White<br>(13 Oz. Spray Can)  |                      | 876370   | Kit, Insulation<br>(2 Pcs. x 3" x 24"<br>X 48")             |                          |          |                  |
|   | 22002901 | Enamel, Bisque<br>(12 OZ. Spray Can) |                      | 876305   | Kit, Insulation<br>(14 Pcs. x 3"<br>x 24" x 48")            |                          |          |                  |
|   | 22002900 | Enamel, Bisque<br>(.6 OZ. Bottle)    |                      | 978941   | Insulation,<br>Fiberglass<br>(63-1/2" x 35-1/2"<br>X 2-5/8) |                          |          |                  |
|   | 72017    | Brush Touch-Up Kit<br>(White)        |                      | 876029   | Kit, Foam Slab<br>(30" x 32-1/2"<br>x 1-1/2")               |                          |          |                  |
|   | 72032    | Brush Touch-up kit<br>(Black)        |                      | 505587   | Sealer, Mastic<br>(1 Qt.)                                   |                          |          |                  |
|   |          |                                      |                      | 503695   | Cork, Sealer<br>(1/4 Pound)                                 |                          |          |                  |
|   |          |                                      |                      | 20000008 | Cleaner,<br>Stnls Steel Magic                               |                          |          |                  |
|   |          |                                      |                      | 542638   | Grease, Silicone<br>(1/2 Oz.)                               |                          |          |                  |
|   |          |                                      |                      | 542639   | Cement,<br>Alumilastic<br>(1-1/4 Oz.)                       |                          |          |                  |
|   |          |                                      |                      | 606755   | Bag, Insulation<br>(36-5/8" x 46")                          |                          |          |                  |
|   |          |                                      |                      | 833938   | Kit, Terminal<br>Connector                                  |                          |          |                  |
|   |          |                                      |                      | 67007112 | Ice Container<br>Assembly                                   |                          |          |                  |
| <p><b>*Important:</b> The spray paint is not to be used where the paint may make contact with the door gaskets.</p> |          |                                      |                      |          |   |                          |          |                  |
| <b>Refinishing Material</b>   |          |                                      |                      |          |   |                          |          |                  |
|   | 799340   | Enamel, Black<br>(1 Qt. Uncut)       |                      |          |   |                          |          |                  |
|   | 799344   | Enamel, White<br>(1 Qt. Uncut)       |                      |          |   |                          |          |                  |