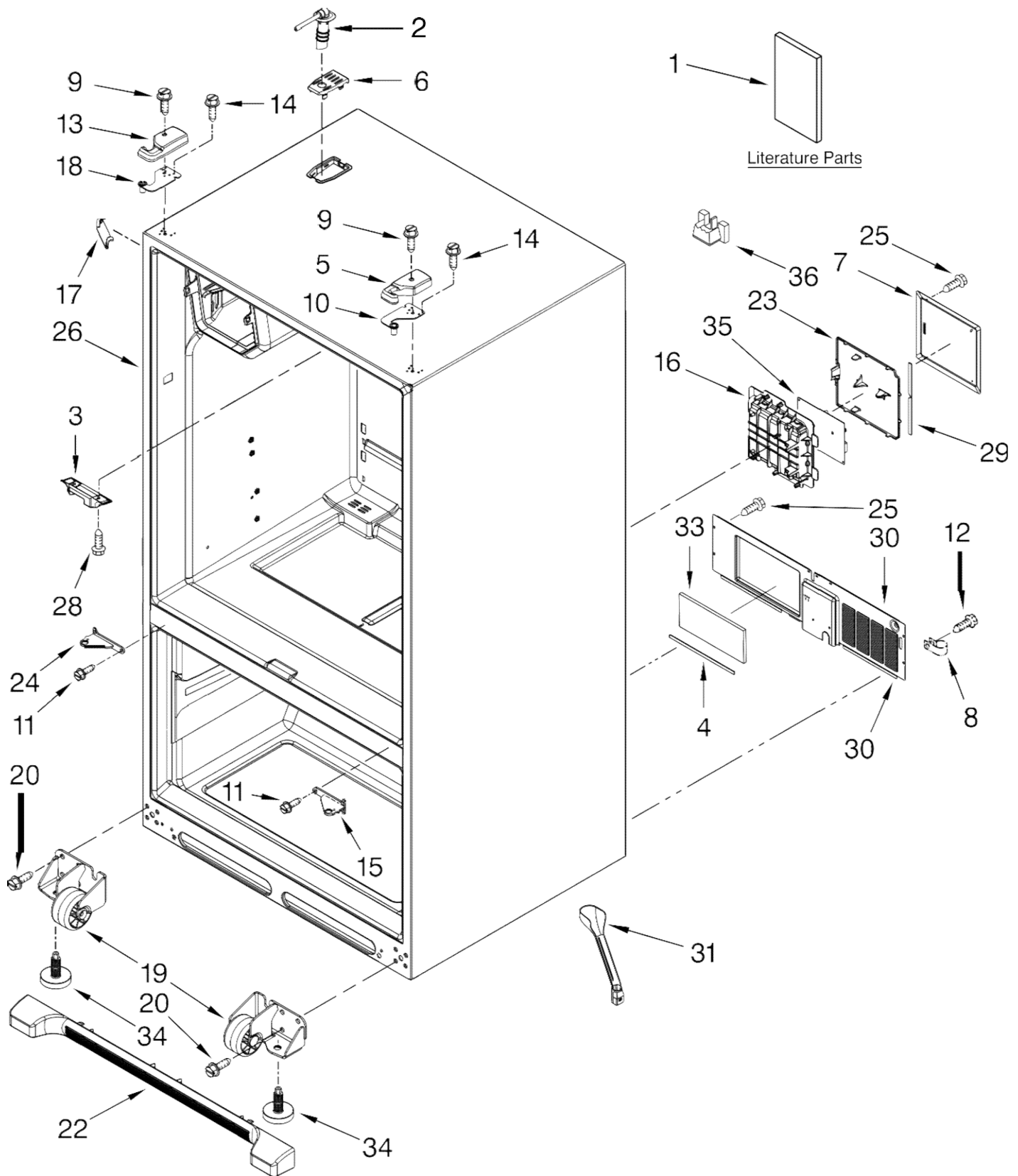




# REFRIGERADOR KFIS20XV



BENITO JUÁREZ #1500 GPE ZITON, CD. GUADALUPE NUEVO LEÓN TEL: 8183377999 Y 49  
HORARIOS: LUNES A VIERNES 8:30 A 6:00 PM Y SÁBADOS DE 8:30 A 2:00 PM  
FOR ORDERING INFORMATION REFER TO PARTS PRICE LIST



# REFRIGERADOR KFIS20XV

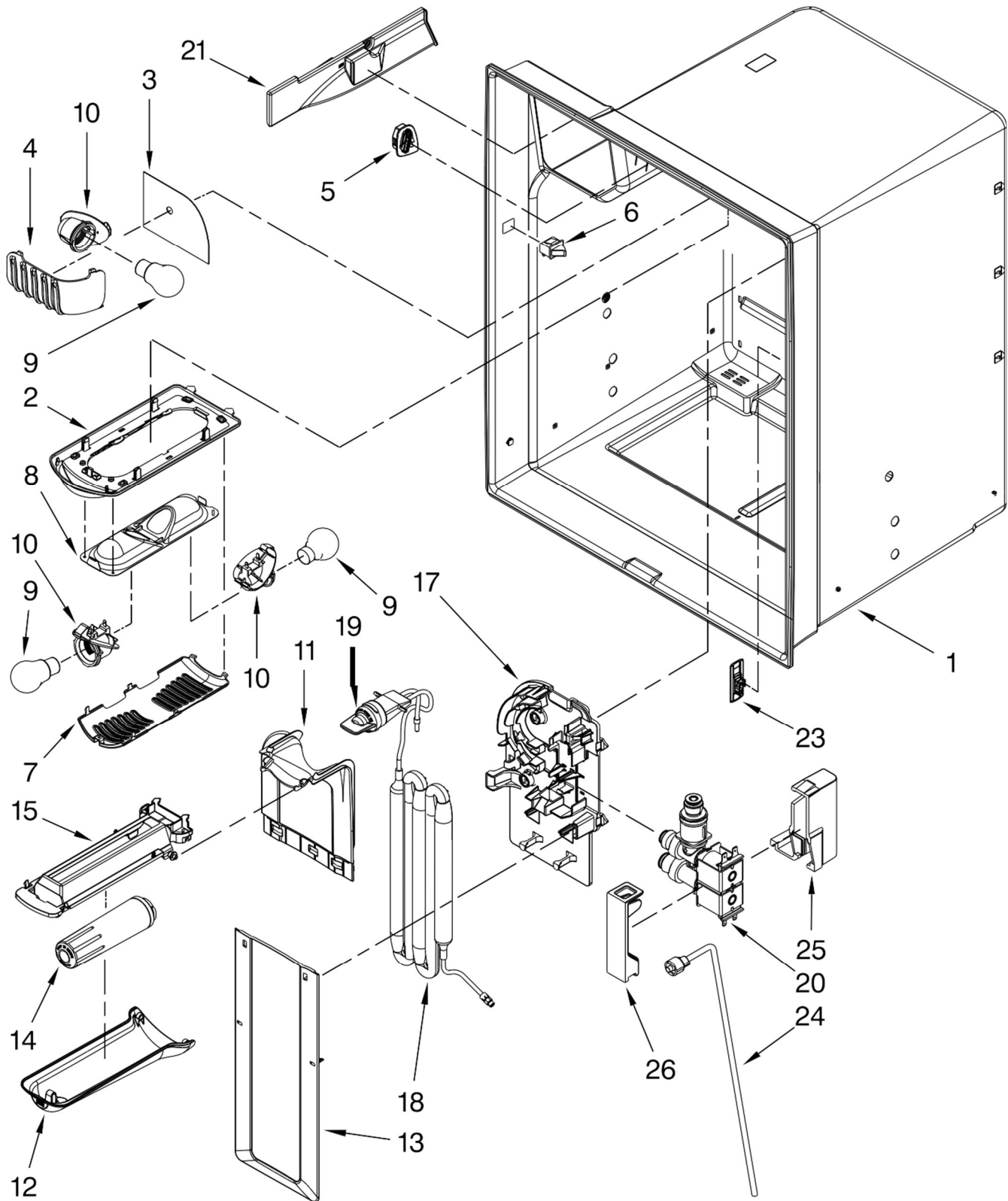
Illus. No.	Part No.	DESCRIPTION
1		Literature Parts
	W10410714	Tech Sheet
	W10329363	Use & Care Guide
	W10202397	Guide, Energy
2	12961401	Tube W/Waterline, Fill-IM
3	12698403	Block, Pivot
4	B5759655	Gasket, MC Back
5		Cover, Top Hinge (Right)
	12962302AP	Apollo Grey
6		Cover, Fill Tube
	12981401AP	Apollo Grey
7	12961602	Cover, Control Box
8	M0108107	Clamp, Tube
9	12992602	Screw, Hinge Cover
10	12963205ED	Hinge, Top Right

Illus. No.	Part No.	DESCRIPTION
11	12992201	Screw, Center Hinge
12	12990511	Screw (3)
13		Cover, Top Hinge (Left)
	12962301AP	Apollo Grey
14	12992403	Screw, Top Hinge
15		Hinge, Center (RT)
	13000002AP	Apollo Grey
16	12957601	Box, HV Control
17		Cover, Corner (2)
	12587703AP	Apollo Grey
18	12963204ED	Hinge, Top Left
19		Roller Assy. (Front)
	W10275849	Right
	W10275850	Left

Illus. No.	Part No.	DESCRIPTION
20	12991302	Screw (8)
22		Grille, Toe
	W10244558	Apollo Grey
23	W10296536	Lid, HV Control
24		Hinge, Center (LT)
	13000001AP	Apollo Grey
25	12990702	Screw, Cover
26		Cabinet (Not A Servicable Part)
28	12990302	Screw, Block
29	12957801	Gasket, HV Control
30	W10270394	Cover, MC Back
31	W10210988	Tube, Drain
33	12820505	Fiber, Acoustic
34	W10141622	Brake, Foot
35	W10312695	Board, HV Control
36	12777701	Block, Filter



# REFRIGERADOR KFIS20XV



BENITO JUÁREZ #1500 GPE ZITON, CD. GUADALUPE NUEVO LEÓN TEL: 8183377999 Y 49  
HORARIOS: LUNES A VIERNES 8:30 A 6:00 PM Y SÁBADOS DE 8:30 A 2:00 PM

[www.denek.com](http://www.denek.com)

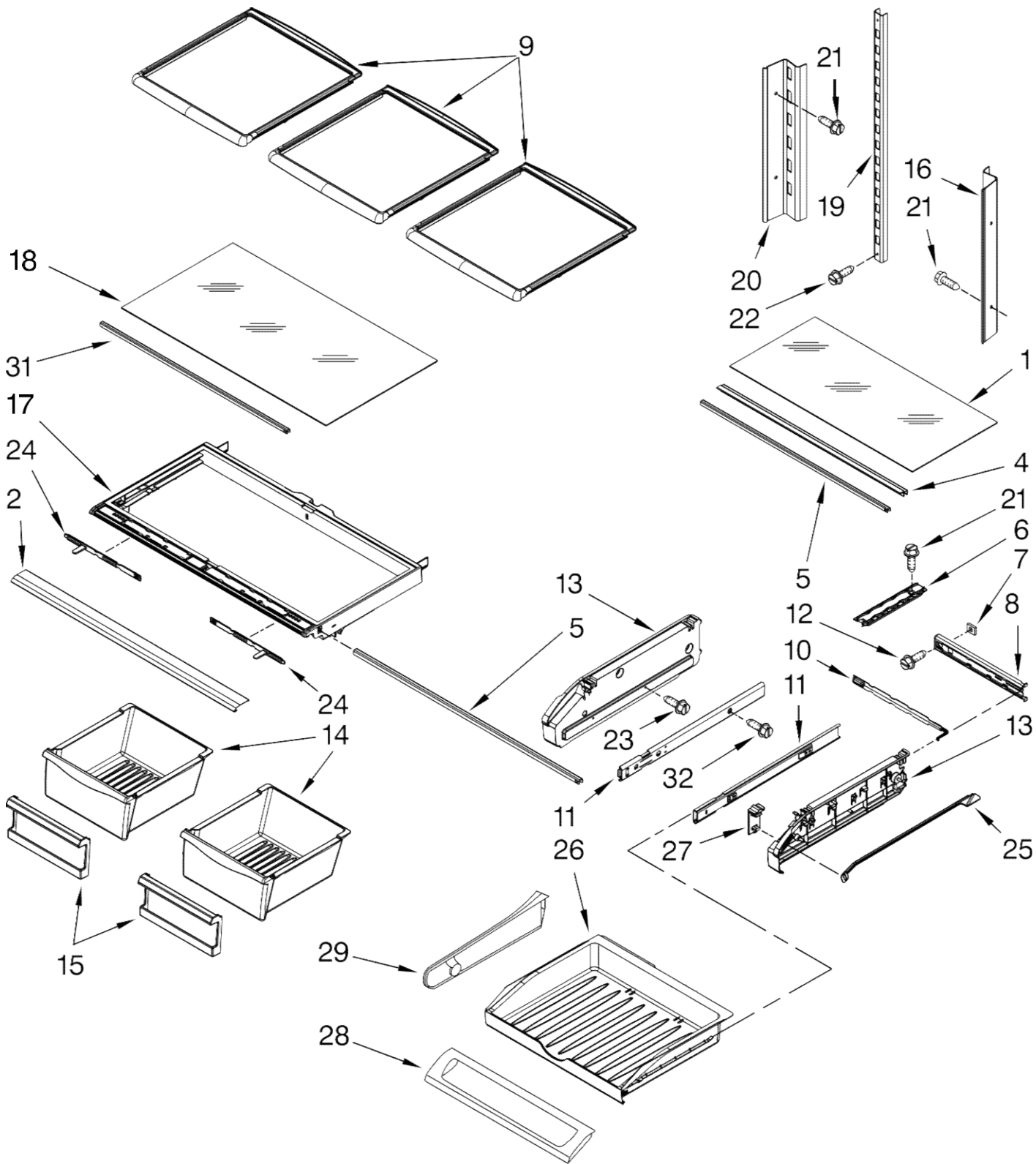


## REFRIGERADOR KFIS20XV

<b>Illus. No.</b>	<b>Part No.</b>	<b>DESCRIPTION</b>
1		Liner (Not A Serviceable Part)
2	12905803	Module, Light
3	12691605	Foil, Light
4	12921801	Cover, Light
5	13008201	Grille, Air
6	12466103	Switch, Light (2)
7	12905902	Cover, Light
8	12806601V	Housing, Light
9	2255743N	Bulb, Light
10	12570701	Socket, Light
11	12960101	Cover, Water Tank (Upper)
12	12960301	Lid, Water Filter
13	12960001	Cover, Water Tank (Lower)
14	UKF8001	Filter, Water
15	12955901	Bracket, Filter Base
17	W10365768	Bracket, Water Tank & Valve
18	W10273376	Water Tank & Head Assembly
19	12664501SP	Plug, Bypass
20	W10312696	Valve, Water Inlet
21	13033601	Cover, Ice Box Harness
23	12987301	Cover, Chiller Vent
24	W10408571	Waterline, Cabinet (W/Nut)
25	W10118193	Enclosure, Water Valve Connector
26	W10118194	Lid, Enclosure



# REFRIGERADOR KFIS20XV





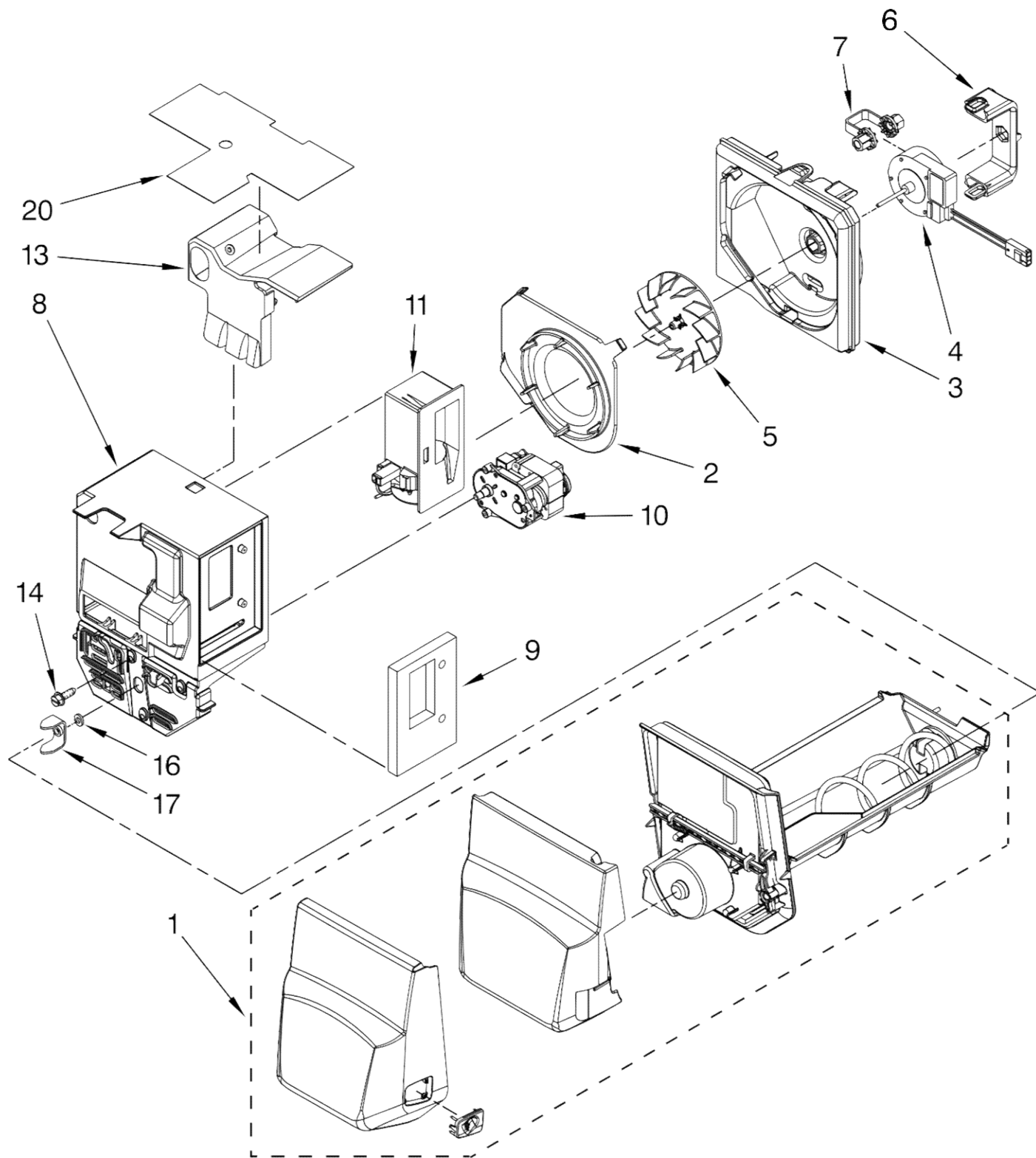
# REFRIGERADOR KFIS20XV

<b>Illus. No.</b>	<b>Part No.</b>	<b>DESCRIPTION</b>
1	12204829	Glass, Pantry
2	W10231486	Trim, Crisper
4	12655902SP	Support, Pantry(2)
5	12227305WH	Brace, Pantry
6	12531901	Track, Pantry
7	12656901	Gasket, Pantry
8	12656202	Housing, Control
9	12463912	Shelf, Glide (3)
10	12655402	Slide, Temperature
11	W10235370	Glide, Drawer (2)
12	12990513	Screw
13		Endcap, Pantry
	12656105	Left
	12656018	Right
14	12531105SP	Pan, Crisper (2)
15	12909404SP	Front, Crisper Pan
16	W10251967	Ladder, Side RH
17	12531202SP	Frame, Crisper
18	12204821	Glass, Crisper Cover
19	W10273464	Ladder, Center
20	W10251966	Ladder, Side LH
21	12990513	Screw
22	12990515	Screw
23	12990512	Screw
24	12530805SP	Slide, Humidity Control
25	12655303	Bar, Temperature Control
26	12655702	Drawer, Pantry
27	12655204V	Knob, Temperature Control
28	12656817	Lid, Pantry Drawer Crisper Frame
29	12709301	Divider, Pantry
31	12227304WD	Brace, Crisper
32	12990504	Screw





# REFRIGERADOR KFIS20XV





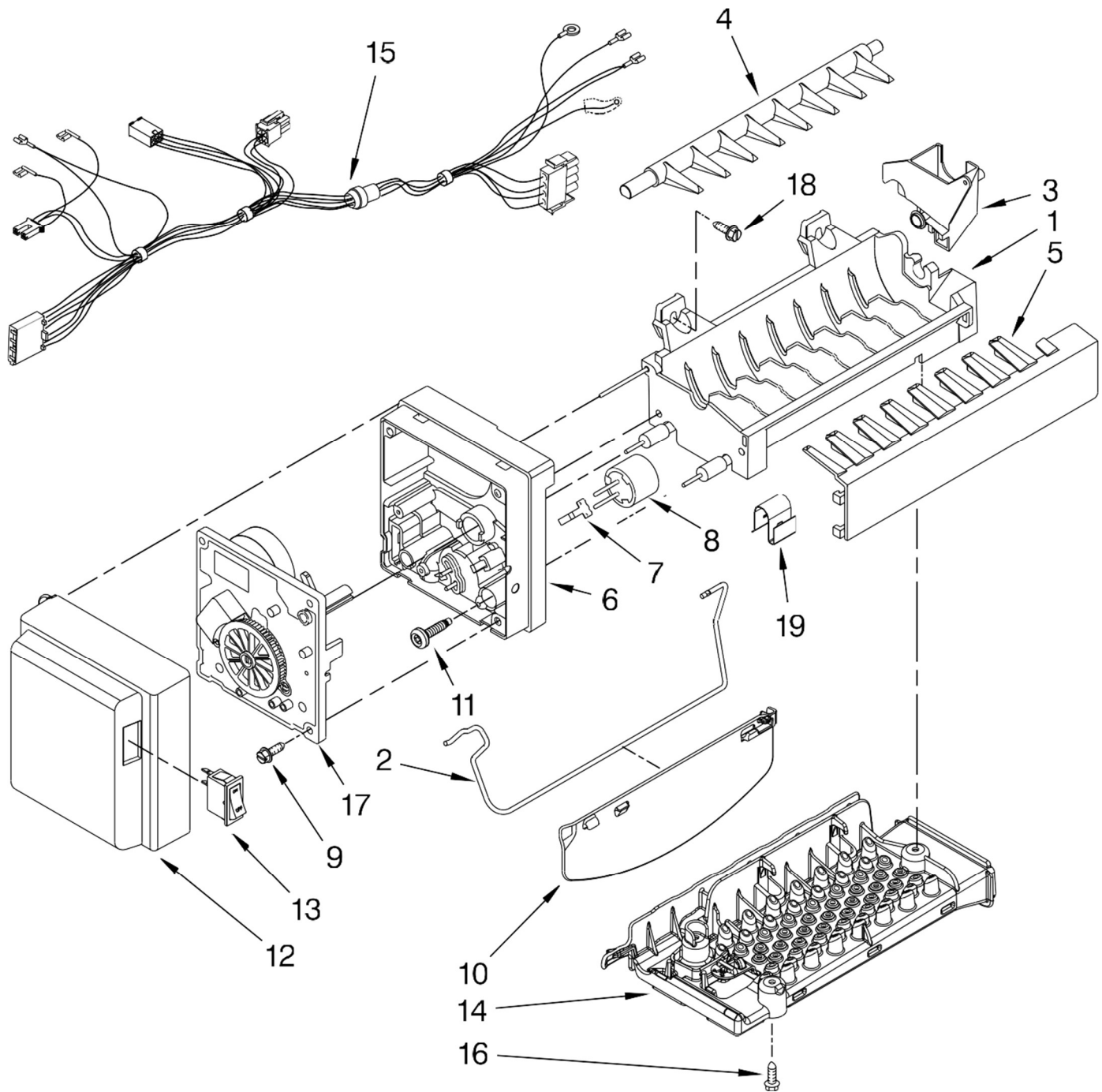
## REFRIGERADOR KFIS20XV

<b>Illus. No.</b>	<b>Part No.</b>	<b>DESCRIPTION</b>
1	W10324088	Ice Bin Assembly (Includes Auger)
2	W10121282	Inlet, Blower
3	W10121281	Scroll, Blower
4	W10162697	Motor, Fan
5	W10123444	Wheel, Blower
6	12956603SP	Clip, Fan Motor
7	W10151687	Grommet, Fan Motor
8	W10356558	Divider, Ice Box
9	12920001SP	Gasket, Damper
10	W10372218	Motor, Auger
11	W10127427	Damper, Control
13	W10118612	Liner, Divider
14	12990511	Screw (3)
16	420107A700	Washer
17	63052A001	Yoke, Ice Dispenser
20	W10142628	Foil, Ice Box





# REFRIGERADOR KFIS20XV



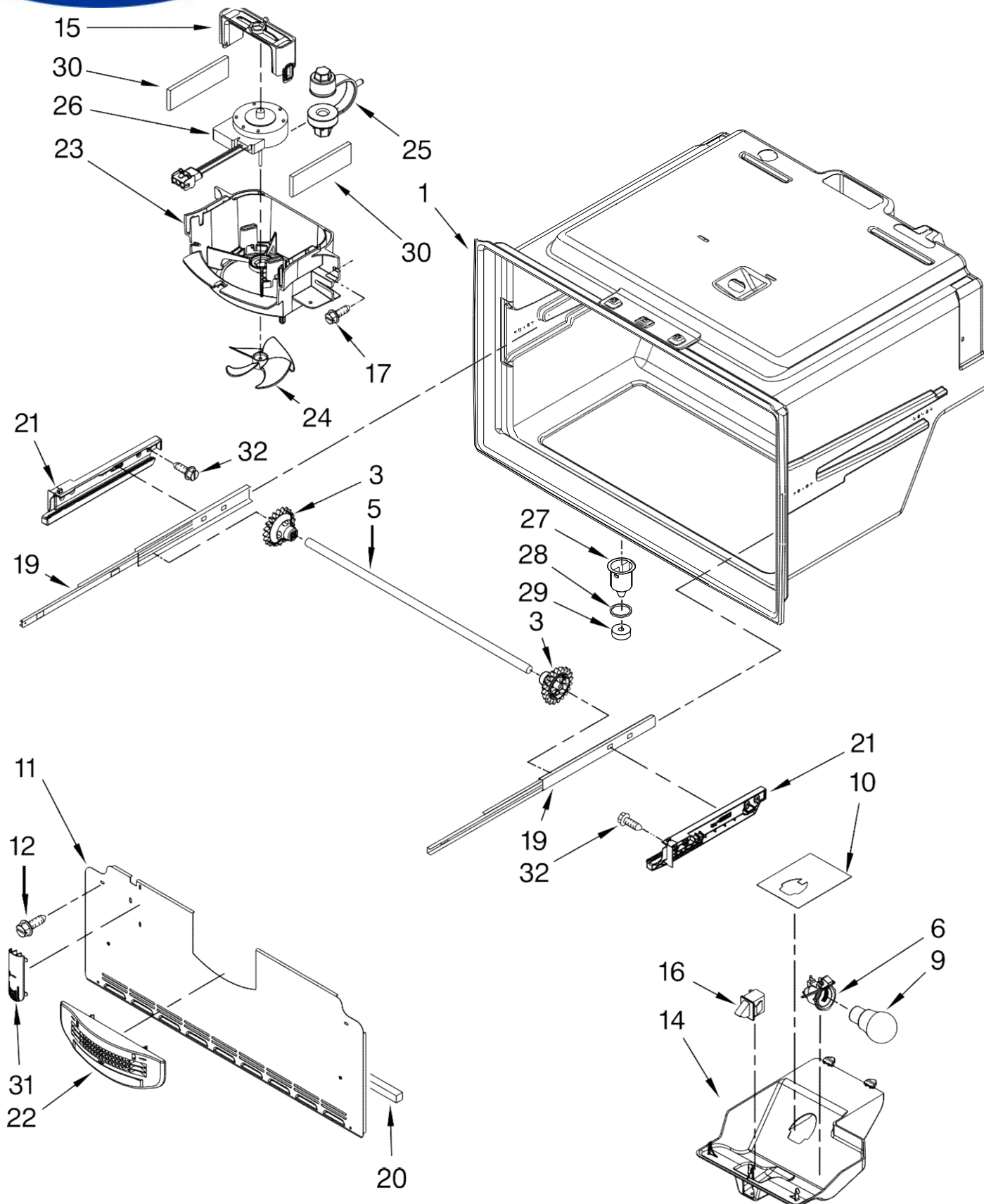


# REFRIGERADOR KFIS20XV

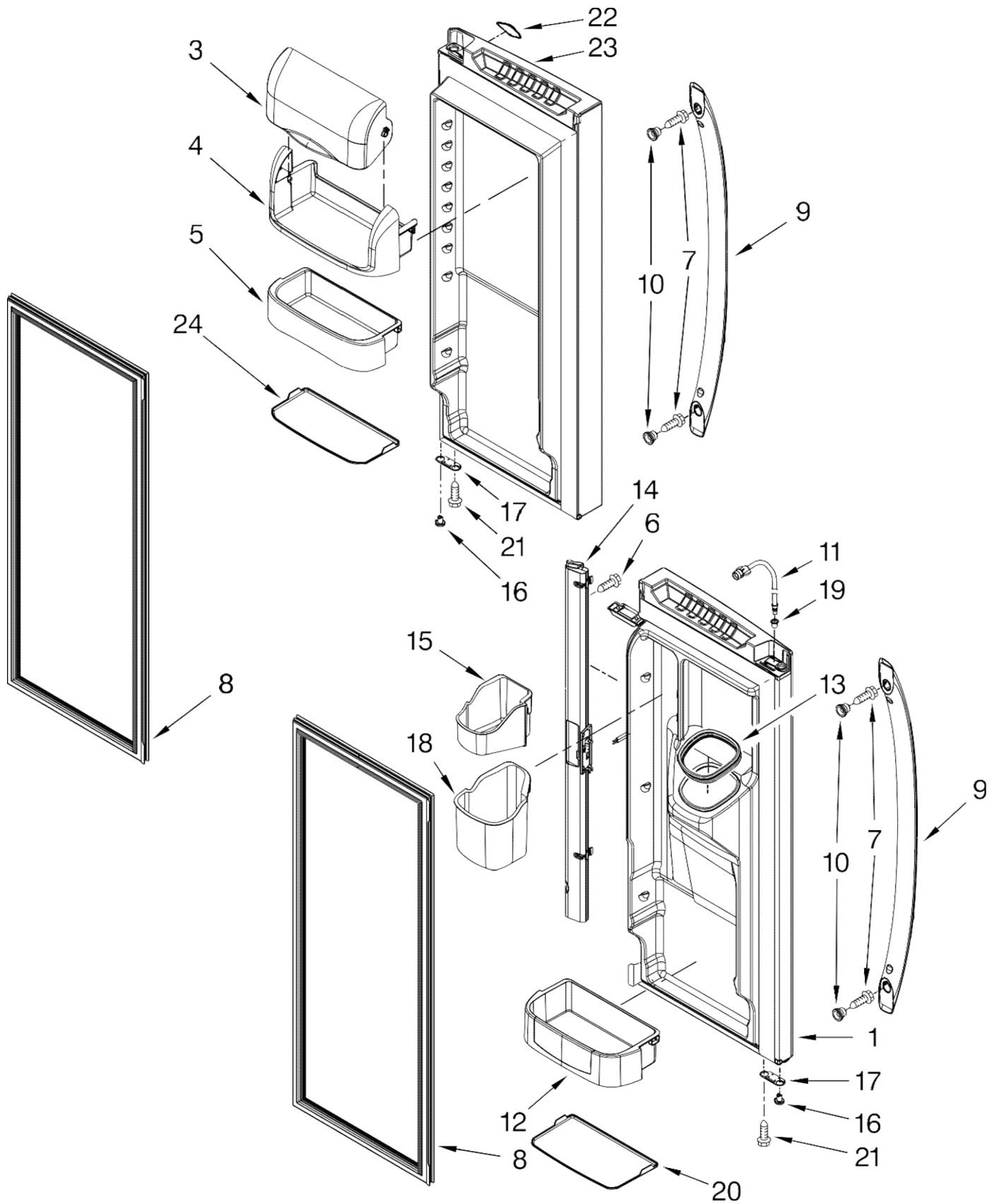
<b>Illus. No.</b>	<b>Part No.</b>	<b>DESCRIPTION</b>
1	W10300025	Mold & Heater Assembly (Also Order 542638 Grease)
2	W10175514	Arm, Shutoff
3	W10327050	Cup, Fill
4	W10318914	Ejector
5	W10122563	Ice Stripper
6	2194712	Support, Housing
7	2315522	Retainer, Thermostat
8	W10290336	Thermostat (Also Order 542369 Cement)
9	W10001240	Screw (3)
10	W10121440	Extension, Shutoff Arm
11	8533917	Screw (2)
12	W10121444	Cover
13	2313326	Switch, On-Off
14	W10312691	Impinger Assy.
15	W10312698	Harness, Icemaker
16	12990511	Screw, Impinger
17	626691	Module Assembly
18	489136	Screw (3)
19	628379	Clip
100	W10300024	Icemaker Assembly

## Following Parts Not Illustrated

10244904SP Coupling



<b>Illus. No.</b>	<b>Part No.</b>	<b>DESCRIPTION</b>
1		Liner (Not A Seviceable Part)
3	12002497	Gear-(L & R)
5	12812903WD	Shaft, Rack
6	12570701	Socket, Light
9	2255743	Bulb, Light
10	W10277466	Foil-FZ Light
11	W10308421	Cover, Evap
12	12990511	Screw
14	W10315248	Module, Freezer Light
15	12956601	Clip, Fan Motor
16	12466111SP	Switch, Rocker
17	12990504	Screw, Fan Shroud To Basket
19	13055901	Slide, Drawer (2)
20	A3189397	Gasket, Foam
21		Adapter
	W10284688	Left
	W10284689	Right
22	12959901	Grille, Air
23	12951401	Shroud, Evap Fan
24	12986101	Blade, Fan (Evaporator)
25	12951101	Grommet, Fan Motor (2)
26	W10162809	Motor, Evaporator Fan
27	D7753903	Funnel, Drain
28	M0500703	Seal, O Ring
29	B8381501	Gasket, Drain Tube
30	A3189392	Gasket, Foam
31	12815301	Cover, Thermistor
32	12990501	Screw, Adapter

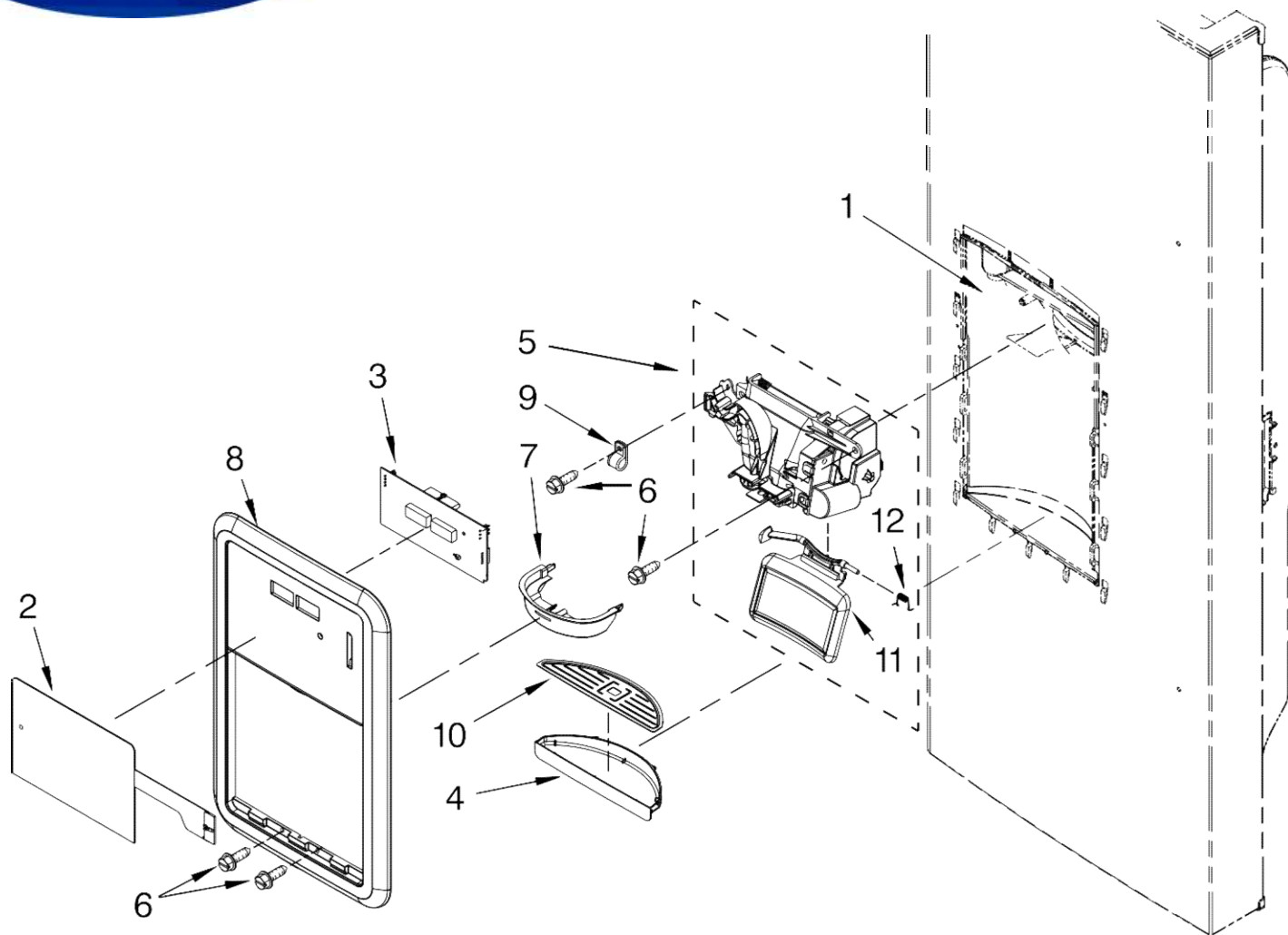




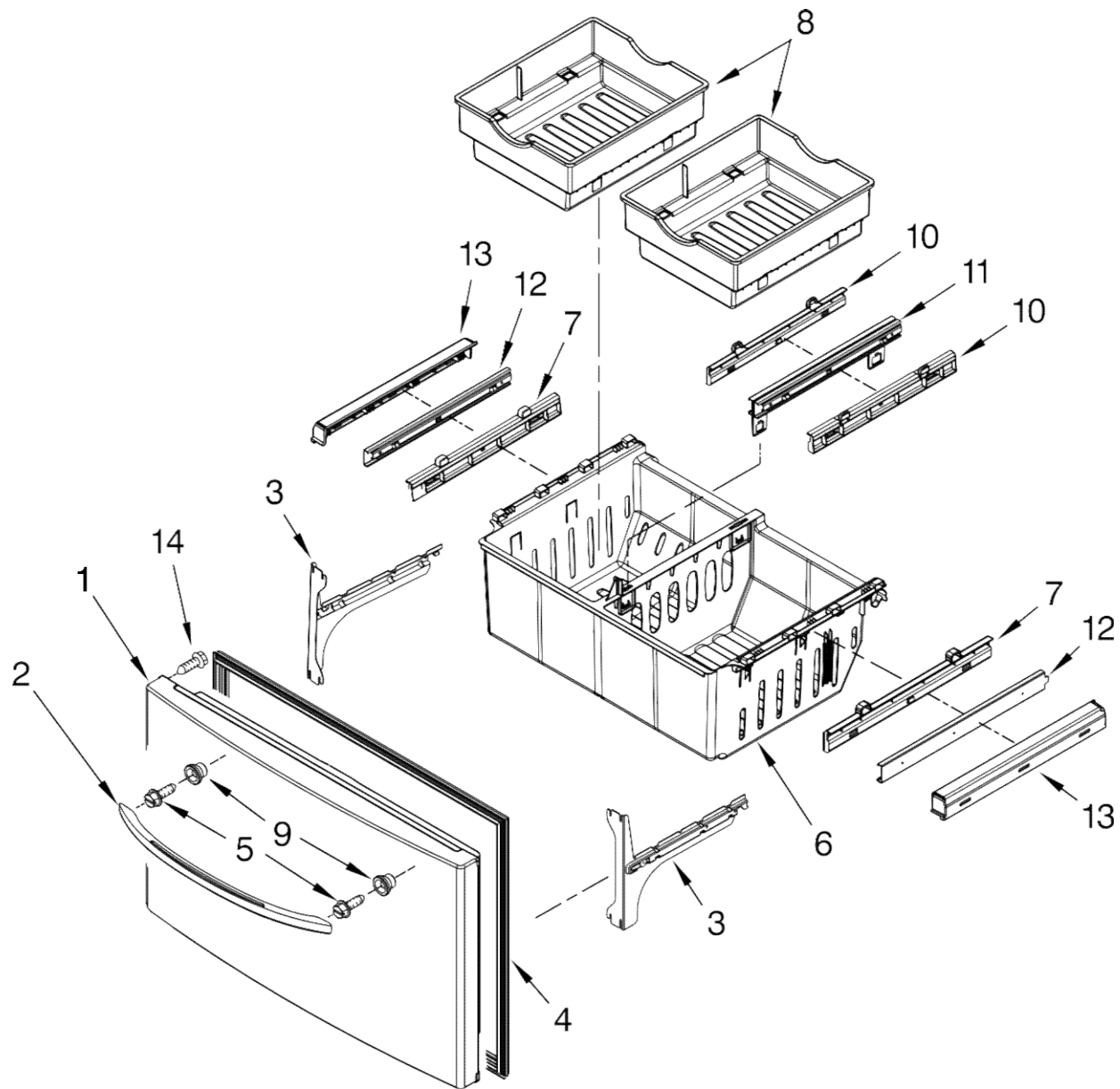
## REFRIGERADOR KFIS20XV

<b>Illus. No.</b>	<b>Part No.</b>	<b>DESCRIPTION</b>
1		Door, Left
	13107817S	Stainless
3	12804701SP	Door, Dairy
4	12369502SP	Tray, Dairy
5	W10119841	Bin, Shelf (Medium)
6	12990204	Screw
7	W10290759	Screw, Handle
8		Gasket, Door
	W10163991	Apollo Grey
9		Handle, Door
	W10314517	Stainless
10	13001201	Mount, Handle
11	W10275942	Waterline, Door
12	W10119846	Bin, Shelf (Gallon)
13	12665101SP	Seal, Ice Chute
14		Mullion, Door
	12722813APK	Apollo Grey
15	12977401	Bucket, Dispenser (Upper)
16		Closure, Door
	12028505AP	Apollo Grey
17		Stop, Door
	12968202AP	Apollo Grey
18	12977501	Bucket, Dispenser (Lower)
19	12996601	Clip, Bushing Wire (Left Door)
20	W10184032	Gripper-Gallon
21	12990521	Screw
22		Nameplate
	W10243391	(Stainless)
23		Door, Right
	13107814S	Stainless
24	W10184031	Gripper-Medium





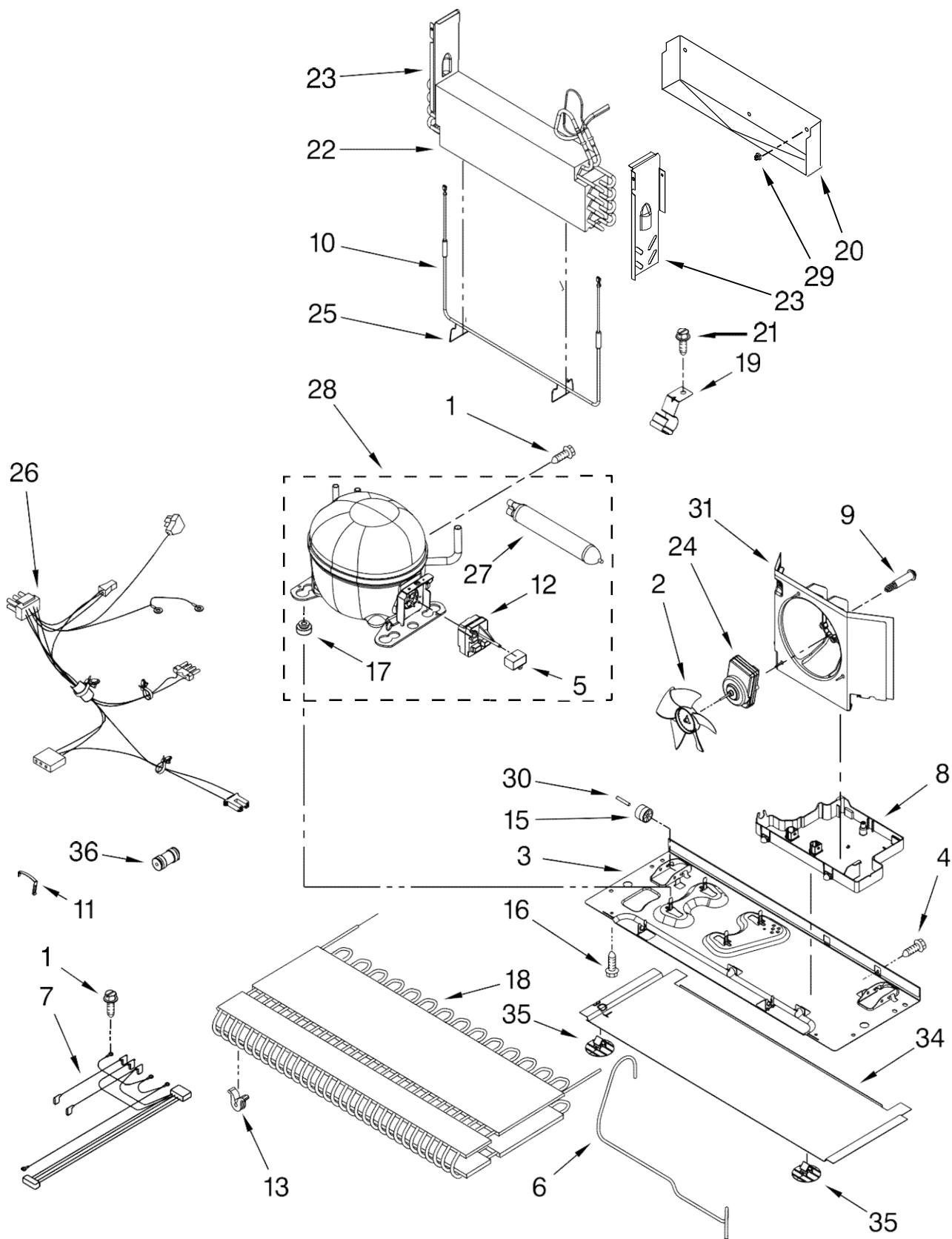
Illus. No.	Part No.	DESCRIPTION
1		Housing, Dispenser (Not Serviced)
2	W10180050	Dispenser Keyboard
3	13053103SP	Board, L.V.
4	W10310692	Sump-Dispenser
5		Chute, Ext/Yoke (Includes Switch)
	13005705	Midnight Grey (Dark)
6	12990513	Screw
7	12958301	Ring, Target
8		Facade, Dispenser
	W10310691	Apollo Grey
9	M0108106	Clamp, Tube
10	W10187370	Grille, Sump
11		Yoke/Pad Assy.
	W10185233	Midnight Grey (Dark)
12	12565502	Spring



Illus. No.	Part No.	DESCRIPTION	Illus. No.	Part No.	DESCRIPTION	Illus. No.	Part No.	DESCRIPTION
1		Freezer Door	4		Gasket, Door	10	13002604SP	Adapter, Bin (Inner)
	12977842S	Stainless		W10164045	Apollo Grey			
2		Handle, Door	5	W10290759	Screw, Handle	11	W10235358	Bracket/Glide Assembly
	W10314517	Stainless	6	13002801SP	Bin, Lower	12	W10235368	Glide, Upper
3		Bracket, Door Slide	7	13002603SP	Adapter, Bin (Outer)	13		Retainer, Glide
	W10119064	Left	8	13002402	Bin, Upper		13002702SP	Right
	W10119295	Right	9	13001201	Mount, Handle		13002701SP	Left
						14	12990521	Screw, Bracket



# REFRIGERADOR KFIS20XV



BENITO JUÁREZ #1500 GPE ZITON, CD. GUADALUPE NUEVO LEÓN TEL: 8183377999 Y 49  
HORARIOS: LUNES A VIERNES 8:30 A 6:00 PM Y SÁBADOS DE 8:30 A 2:00 PM

[www.denek.com](http://www.denek.com)



# REFRIGERADOR KFIS20XV

Illus. No.	Part No.	DESCRIPTION
1	12992301	Screw
2	12825803	Blade, Fan
3	W10210985	Basepan
4	12990511	Screw
5	2264017	Capacitor
6	W10233569	Tube, Discharge
7	W10257095	Harness, Evap. (Incl. Heater)
8	W10296785	Pan, Drain
9	W10216919	Screw, Shoulder
10	12729123	Heater, Defrost
11	W10174384	Strap, Bale
12	W10194431	Start Device
13	W10137529	Grommet, Cond (4)
15	12477102	Roller (2)
16	12992101	Screw
17	10835903SP	Grommet (4)
18	W10346415	Condenser
19	W10281329	Clip, Drier
20	W10292803	Tray, Drip

Illus. No.	Part No.	DESCRIPTION
21	12990701	Screw
22	W10313899	Evaporator
23		Dam
	12963102SP	Right Side
	12963002SP	Left Side
24	W10239053	Motor, Fan
25	10428101	Clip, Heater
26	W10234027	Harness, Unit with Power Cord
27	W10143759	Drier
28	W10164016	Compressor (Includes items 11,12,17,27)
29	10623002	Clip, Evaporator
30	12477202	Axle, Roller (2)
31	W10189184	Shroud
34	W10206338	Extension, Basepan
35	W10206339	Fastener, Basepan
36	W10334458	Connector-Water

Illus. No.	Part No.	DESCRIPTION
Following Parts Not Illustrated and Optional Parts Not Included		
	978025	Valve, Access (1/4")
	978026	Valve, Access (5/16")
	978027	Valve, Access (3/8")
	978028	Valve, Access (1/2")
	978029	Valve, Access (5/8")
	978030	Valve, Access (3/4")
	876764	Valve, Access (3/16")

### REFRIGERANT CHARGE

5.25 Ozs.  
(R-134A)

