

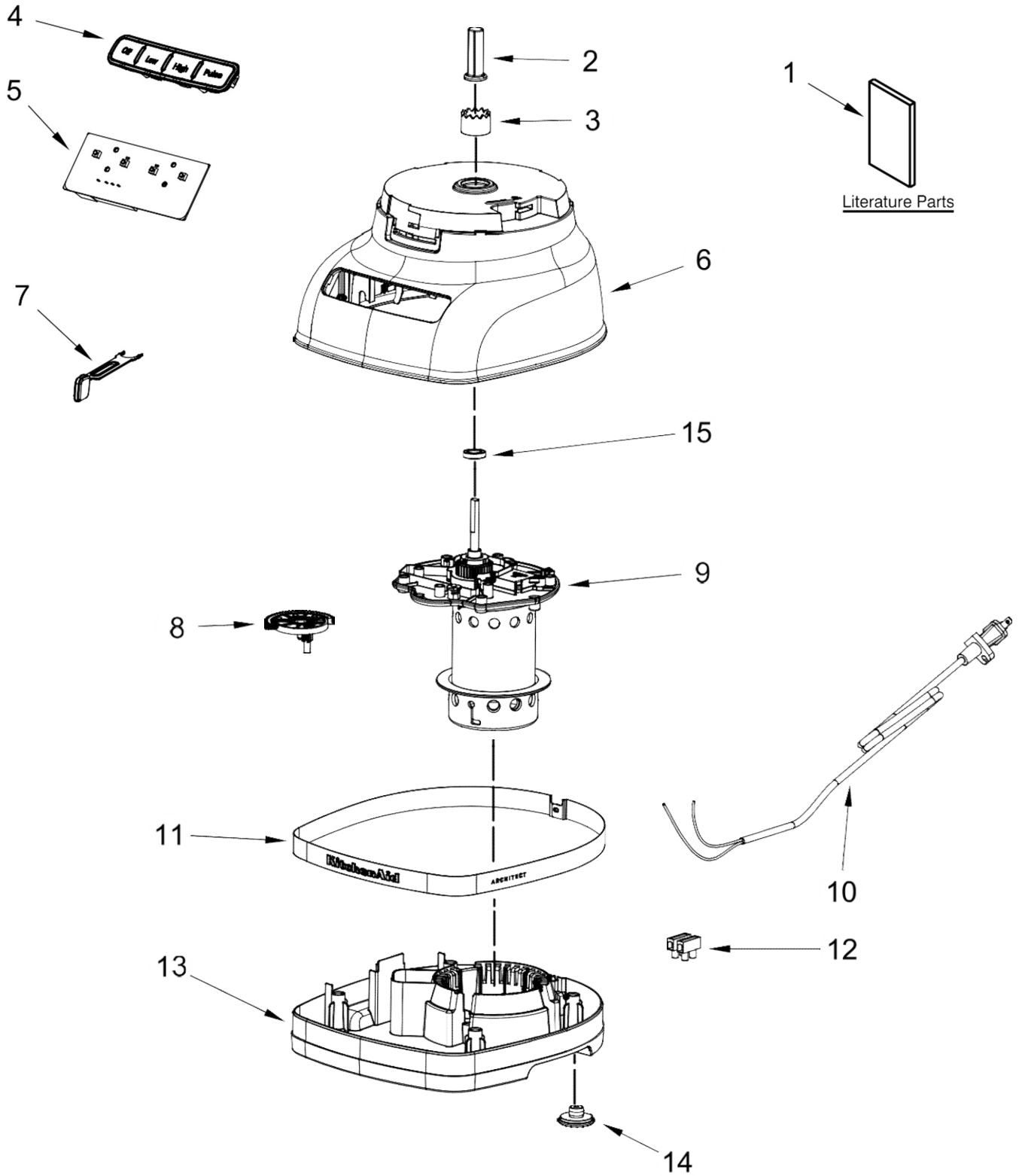
KitchenAid®

14-CUP FOOD PROCESSOR

MODELS:

KFP1466WH0 (White)
KFP1466OB0 (Onyx Black)
KFP1466ER0 (Empire Red)
KFP1466CU0 (Contour Silver)
KFP1466QG0 (Liquid Graphite)
KFP1466SZ0 (Slate)

PROCESADOR DE ALIMENTOS KFP1466





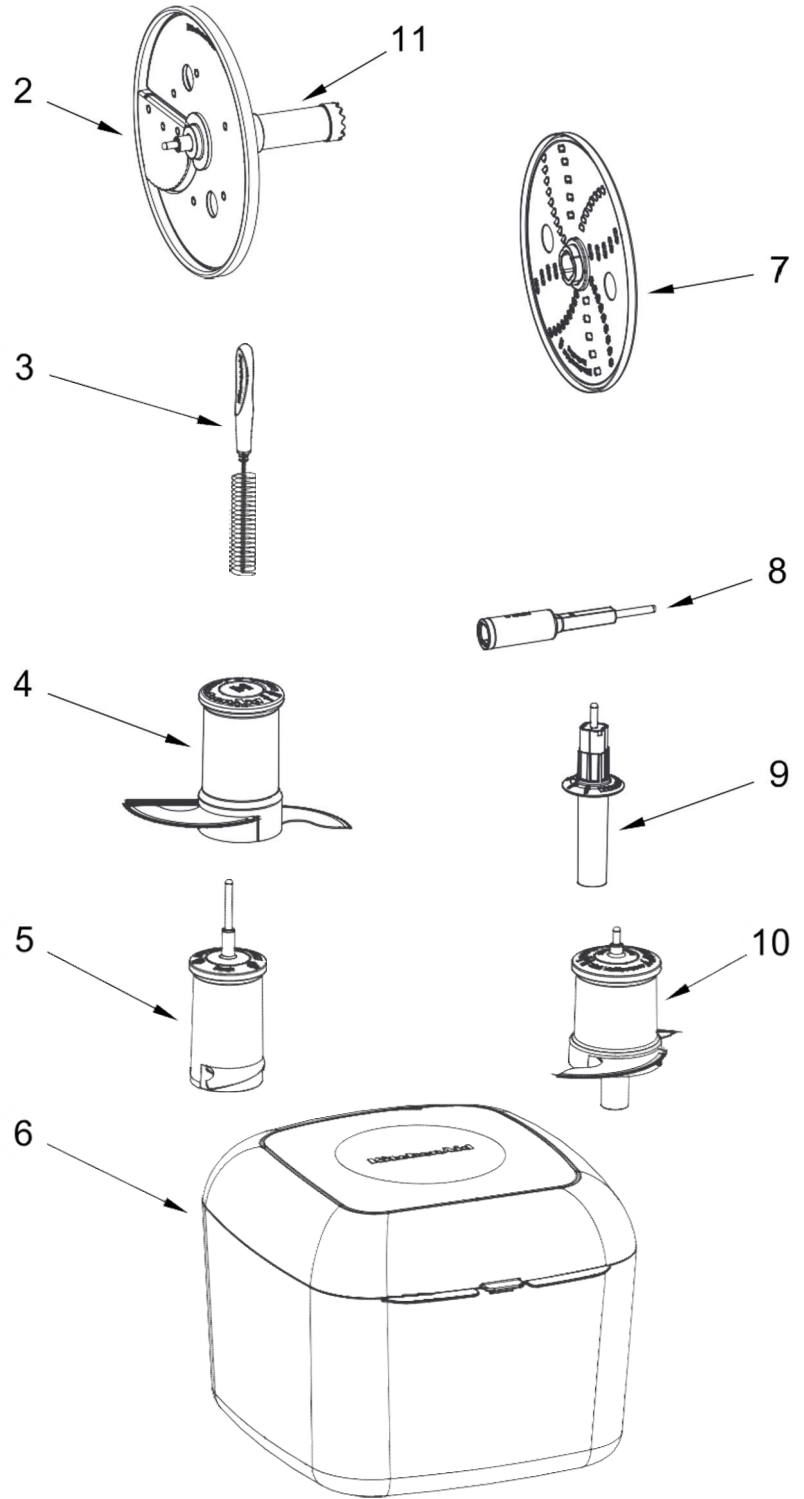
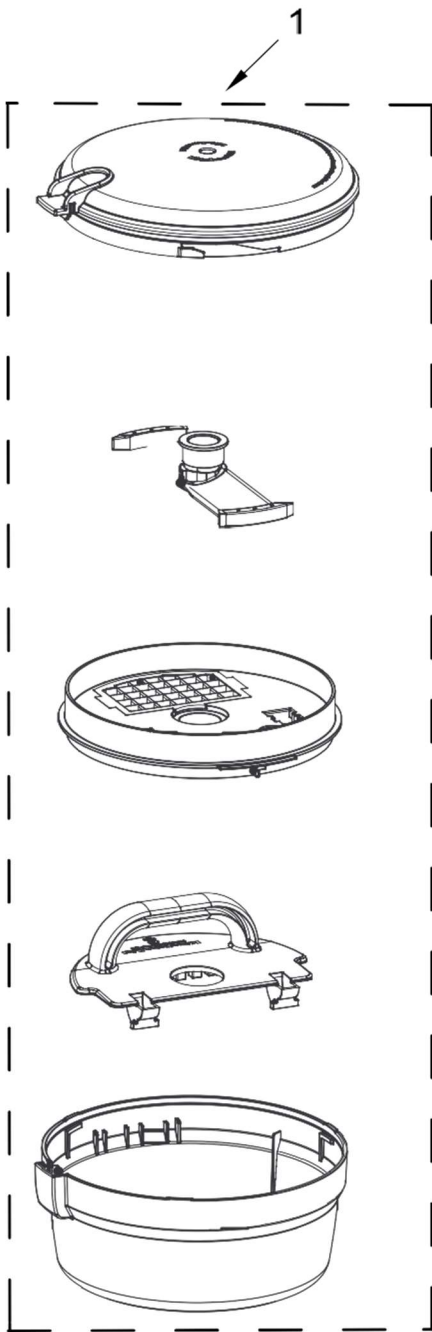
PROCESADOR DE ALIMENTOS KFP1466

<u>Illus. No.</u>	<u>Part No.</u>	<u>Description</u>
1		Literature Parts
	W10694199	Use and Care Guide
2	W10451326	Adapter, Motor
3	W10451327	Support, Bearing
4	W10723417	User Interface Assembly
5	W10723418	PCB Assembly

<u>Illus. No.</u>	<u>Part No.</u>	<u>Description</u>
6		Housing, Upper
	W10723449	White
	W10723447	Onyx Black
	W10723450	Empire Red
	W10723453	Contour Silver
	W10723454	Liquid Graphite
	W10760373	Slate
7	W10724212	Button, Adjust
8	W10724213	Lever, Adjust Control

<u>Illus. No.</u>	<u>Part No.</u>	<u>Description</u>
9	W10724217	Motor, with Gearbox
10	W10451329	Cord, Power (2-Prong)
11	W10723404	Band, Trim
12	W10451322	Block, Terminal
13	W10723400	Base, Housing
14	W10451320	Foot
15	W10723405	Bearing, Ball

PROCESADOR DE ALIMENTOS KFP1466



Distribuidor Autorizado

SurteRápido.com

Venta de Refacciones
Electrodomesticas

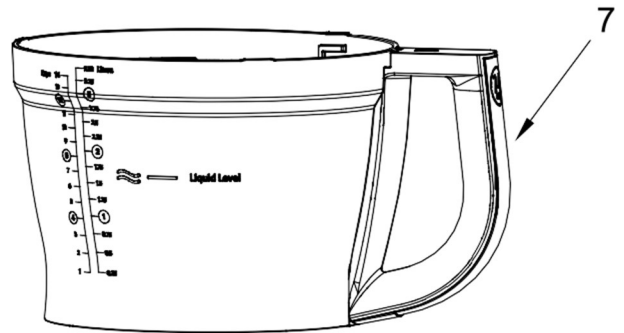
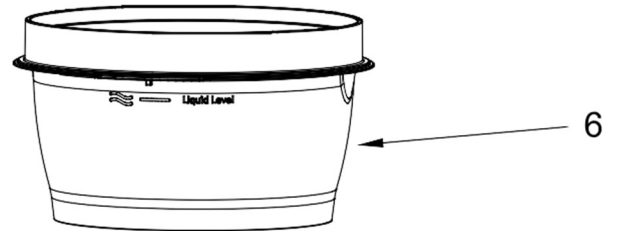
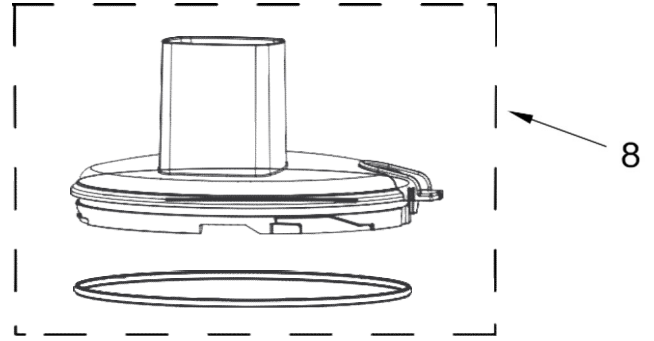
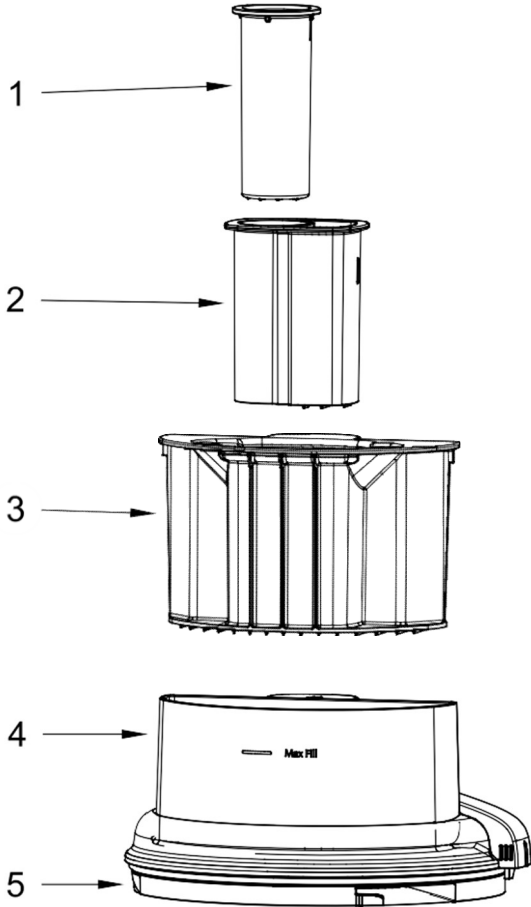
PROCESADOR DE ALIMENTOS KFP1466

<u>Illus.</u> <u>No.</u>	<u>Part No.</u>	<u>Description</u>
1	W10724215	Dicing Assembly
2	W10723406	Disc, Slicing
3	W10723459	Brush, Adjust Shred Disc
4	W10451463	Blade, Multi- Purpose

<u>Illus.</u> <u>No.</u>	<u>Part No.</u>	<u>Description</u>
5	W10723411	Blade, Dough
6	W10723412	Box, Accessory
7	W10451465	Disc, Shredding
8	W10723416	Adapter, Common

<u>Illus.</u> <u>No.</u>	<u>Part No.</u>	<u>Description</u>
9	W10723414	Adapter, Shredding (Baffle)
10	W10723409	Blade, Mini
11	W10723413	Adapter, Slicing Shaft

PROCESADOR DE ALIMENTOS KFP1466





PROCESADOR DE ALIMENTOS KFP1466

<u>Illus. No.</u>	<u>Part No.</u>	<u>Description</u>
1	W10461924	Pusher, Round
2	W10461925	Pusher, Regular
3	W10723407	Pusher, Wide Mouth
4	W10723444	Lid Assembly

<u>Illus. No.</u>	<u>Part No.</u>	<u>Description</u>
5	W10480168	Gasket, Lid
6	W10723408	Bowl, Mini
7	W10723445	Bowl, 14-Cup

<u>Illus. No.</u>	<u>Part No.</u>	<u>Description</u>
8	W10724214	Lid, Dicing Assembly
		OPTIONAL PARTS NOT ILLUSTRATED
	W10723415	Bowl, Chef's