

KitchenAid®

6 QT. STAND MIXER

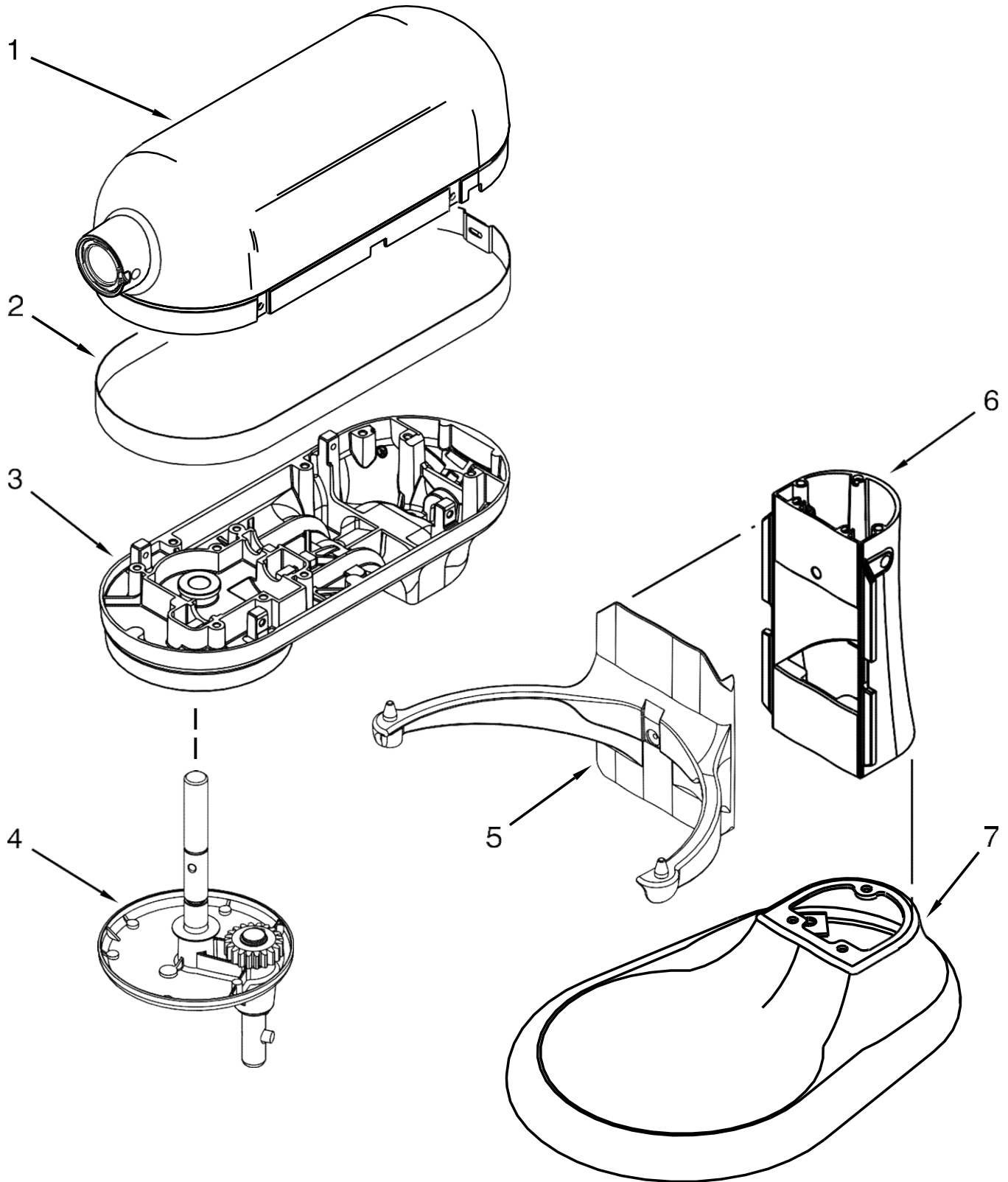
MODELS:

KP26M9XCCU5 (Contour Silver)

KP26M9XCER5 (Empire Red)

KP26M9XCOB5 (Onyx Black)

KP26M9XCWH5 (White)



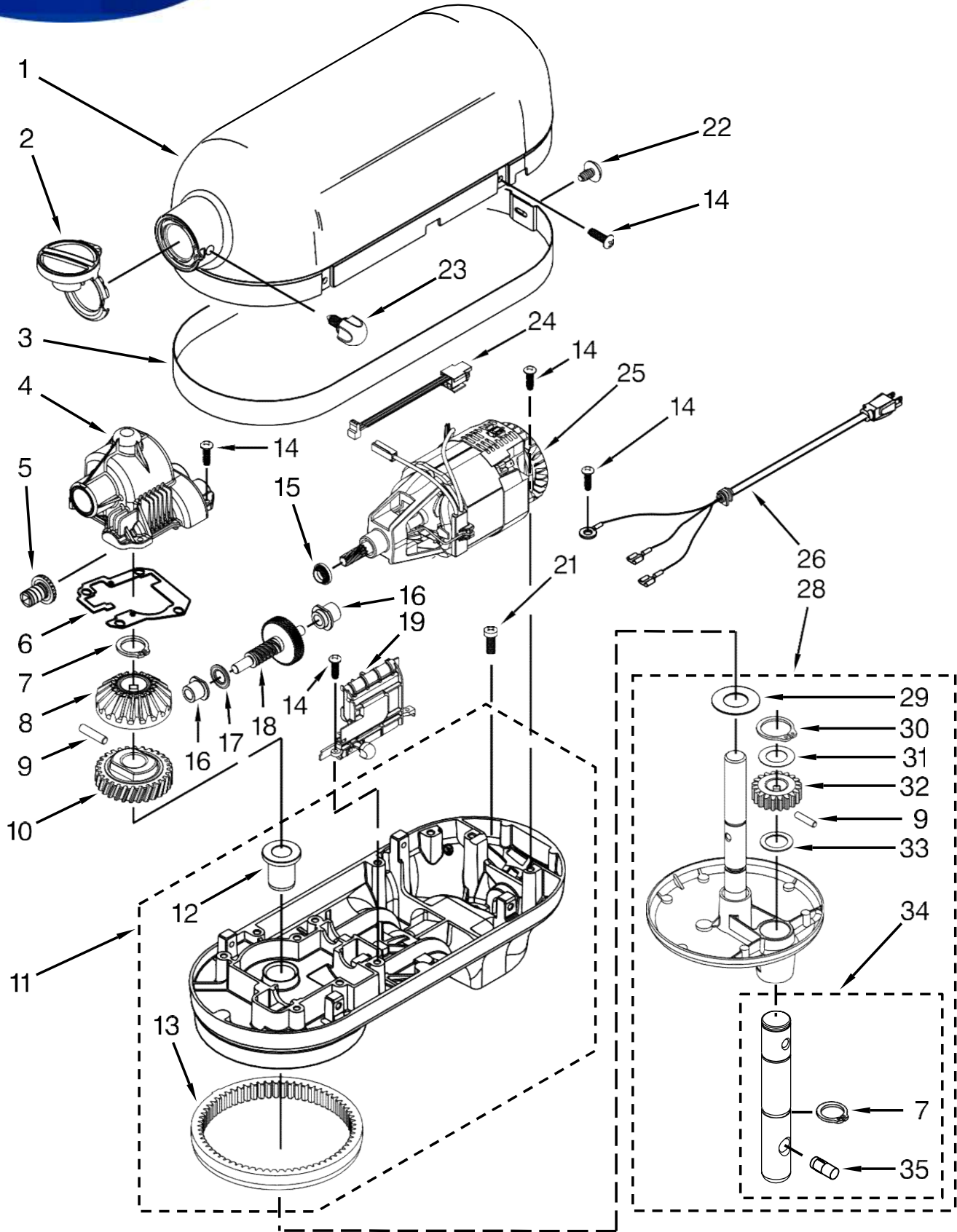


BATIDORA KP26M9XCOB5

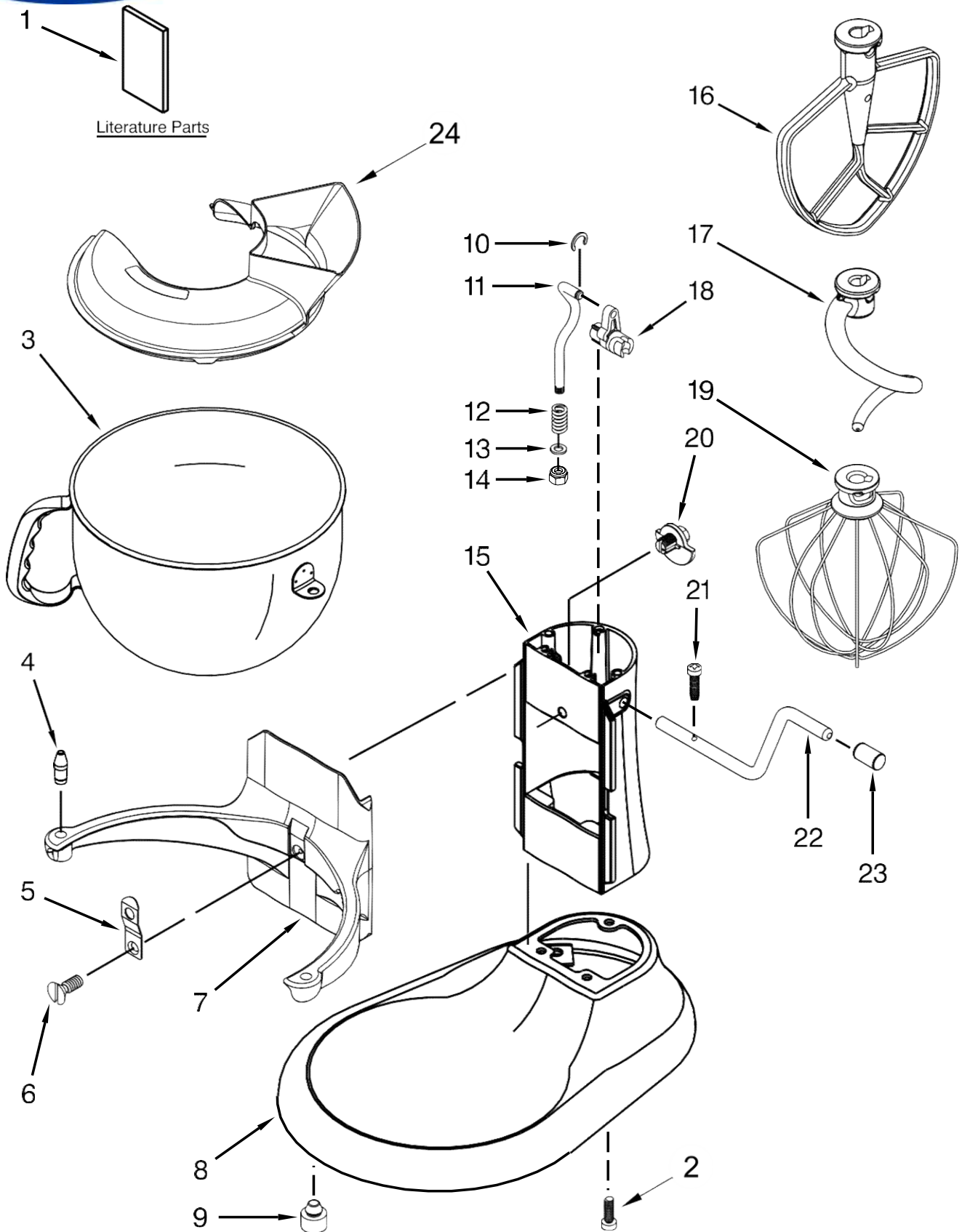
| <u>Illus. No.</u> | <u>Part No.</u> | <u>Description</u> |
|-------------------|-----------------|--------------------|
| 1 | | Motor Housing |
| | W10327951 | Contour Silver |
| | 9705300 | Empire Red |
| | 9705296 | Onyx Black |
| | 9703311 | White |
| 2 | | Trim Band |
| | W10870719 | Platinum |
| 3 | | Lower Gearcase |
| | W10327958 | Contour Silver |
| | 9706331 | Empire Red |
| | 9706311 | Onyx Black |
| | 9706047 | White |

| <u>Illus. No.</u> | <u>Part No.</u> | <u>Description</u> |
|-------------------|-----------------|-----------------------|
| 4 | | Planetary |
| | W10327955 | Contour Silver |
| | 9708180 | Empire Red |
| | 9708176 | Onyx Black |
| | 9708172 | White |
| 5 | | Bowl Support and Pins |
| | W10327966 | Contour Silver |
| | 9705360 | Empire Red |
| | 9705356 | Onyx Black |
| | 9703674 | White |

| <u>Illus. No.</u> | <u>Part No.</u> | <u>Description</u> |
|-------------------|-----------------|----------------------|
| 6 | | Column and Pins |
| | W10328003 | Contour Silver |
| | 9705324 | Empire Red |
| | 9705320 | Onyx Black |
| | 9703673 | White |
| 7 | | Base & Foot Assembly |
| | W10328017 | Contour Silver |
| | 9705348 | Empire Red |
| | 9705344 | Onyx Black |
| | 9703690 | White |



| <u>Illus. No.</u> | <u>Part No.</u> | <u>Description</u> | <u>Illus. No.</u> | <u>Part No.</u> | <u>Description</u> | <u>Illus. No.</u> | <u>Part No.</u> | <u>Description</u> |
|-------------------|-----------------|---|-------------------|-----------------|-------------------------|-------------------|-----------------|---|
| 1 | | Gearcase Motor Housing (Refer to Color Variation Parts Page) | 12 | 16897 | Bearing, Lower Center | 25 | W10247536 | Motor, 120 Volt |
| 2 | 9707983 | Cap, Attachment Hub (Nickel) | 13 | 9703339 | Gear, Internal | 26 | | Cord, Power |
| 3 | | Band, Trim (Refer to Color Variation Parts Page) | 14 | 3400814 | Screw | | W10325654 | White |
| 4 | 9709125 | Transmission Housing | 15 | 9706247 | Seal, Motor Shaft | | W10325656 | Black |
| 5 | 9703338 | Gear, Attachment Hub Level | 16 | | Bearing | 28 | | Planetary Assembly (Refer to Color Variation Parts Page) |
| 6 | 9709511 | Gasket, Transmission | | W10170080 | Front | 29 | W10323379 | Washer, Fiber |
| 7 | 9703680 | Clip, Retaining | 17 | 9703445 | Bearing, Thrust | 30 | 9703438 | Ring, Retaining |
| 8 | 9703337 | Gear, Bevel | 18 | 9709231 | Gear, Worm | 31 | 9706090 | Washer |
| 9 | 9707223 | Pin, Retaining | 19 | | Control Assembly | 32 | 9707627 | Gear, Pinion |
| 10 | 9706529 | Gear, Worm Follower | | 9706648 | Control with Black Knob | 33 | 8533910 | Washer |
| 11 | | Lower Gearcase (Refer to Color Variation Parts Page) | 21 | 3400200 | Screw | 34 | 9708191 | Shaft, Agitator |
| | | | 22 | 3400617 | Screw | 35 | 9704677 | Pin, Groove |
| | | | 23 | | Thumb Screw | | | |
| | | | | 9709194 | Black | | | |
| | | | 24 | 9703312 | Sensor, Hall Effect | | | |



| <u>Illus. No.</u> | <u>Part No.</u> | <u>Description</u> |
|-------------------|-----------------|---|
| 1 | | Literature Parts |
| | W10862776 | Use & Care Guide |
| 2 | 3400200 | Screw |
| 3 | W10245586 | Bowl, 6 Quart |
| 4 | 240185 | Pin, Retaining Bowl |
| 5 | W10504114 | Clip, Bowl Retainer |
| 6 | 3400018 | Screw |
| 7 | | Bowl Support (Refer to Color Variation Parts Page) |
| 8 | | Base and Foot Assembly (Refer to Color Variation Parts Page) |

| <u>Illus. No.</u> | <u>Part No.</u> | <u>Description</u> |
|-------------------|-----------------|---|
| 9 | 9708649 | Foot |
| 10 | 9703307 | Ring, Retaining |
| 11 | W10598835 | Rod, Bowl Lift |
| 12 | 9237 | Spring, Lift Rod |
| 13 | 9703439 | Washer |
| 14 | 8533907 | Nut |
| 15 | | Column Assembly (Refer to Color Variation Parts Page) |
| 16 | 9703485 | Beater, Flat (Burnished) |
| 17 | W10536041 | Hook, Dough (Burnished) |
| 18 | 9706885 | Arm, Bowl Lift |

| <u>Illus. No.</u> | <u>Part No.</u> | <u>Description</u> |
|-------------------|-----------------|------------------------|
| 19 | W10352664 | Whip, Wire |
| 20 | 9703426 | Cam, Adjusting |
| 21 | 3400863 | Screw |
| 22 | W10598836 | Handle, Bowl Lift |
| 23 | W10769141 | Cap, Handle |
| 24 | W10617049 | Shield, Pouring (Wide) |